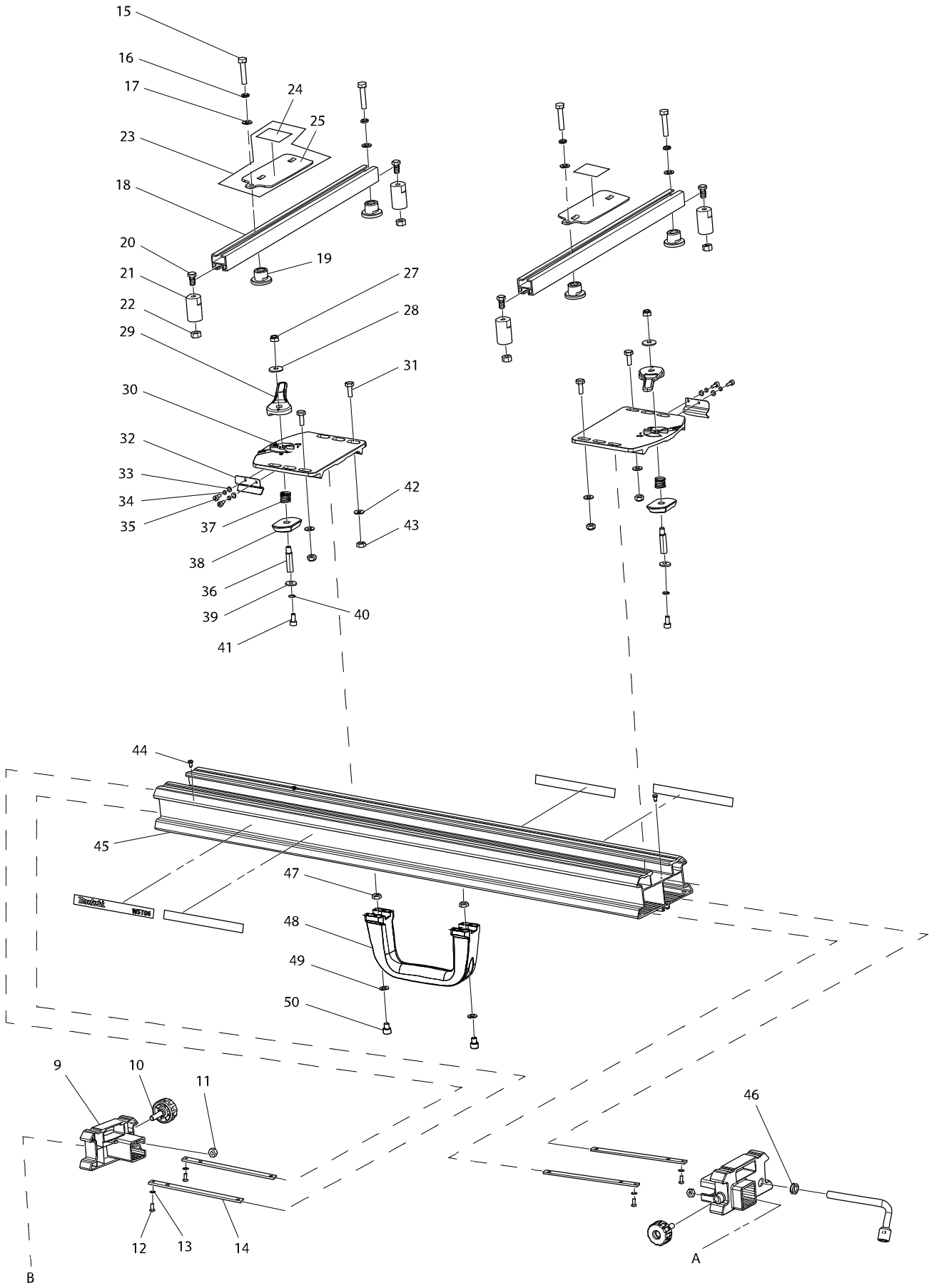


Modelo WST06 MITER SAW STAND



Artículo	Código	Descripción	Interc	Cantidad	N/O	Opción 1	Opción 2	Notas
001	JM23400040	KNOB		2				
002	JM21000060	FLAT WASHER 8		2				
003	JM23600001	SET PLATE		1				
004	JM23600002	H.S.BOLT M4X6		1				
005	JM23600003	SUPPORT BRACKET		1				
006	JM23600004	COVER		2				
007	JM23600005	SLEEVE		2				
008	JM23600006	LOCK KNOB A		2				
009	JM23600015	RAIL COVER		2				
010	JM23600016	LOCK KNOB B		2				
011	JM23600012	HEX NUT M8		2				
012	JM23600014	CROSS HEAD SCREW M4		4				
013	JM21000026	FLAT WASHER 4		4				
014	JM23600013	FIX LINK PLATE		4				
015	JM23600059	HEX BOLT M8		4				
016	JM21000059	SPRING WASHER 8		4				
017	JM21000060	FLAT WASHER 8		4				
018	JM23600029	SLIDING RAIL		2				
019	JM23600028	SLOT NUT M8		4				
020	JM23600027	HEX BOLT M8		4				
021	JM23600026	FOOT		4				
022	JM21000058	HEX NUT M8		4				
023	JM2361A006	SPACER PLATE COMPLETE		2				
D10		INC.24,25						
024	JM23680006	INDICATION		2				
025	JM23600062	SPACER PLATE		2				
027	JM21000106	LOCKNUT M8		2				
028	JM23600030	FLAT WASHER 8		2				
029	JM23600025	LOCK HANDLE		2				
030	JM23610001	LOCK BRACKET COMPLETE		2	*			
C10	JM23600023	LOCK BRACKET		2	*			
C20	JM23600024	PAD PLATE		8	*			
030-1	JM23610050	BRACKET SET	<	1				
C10	JM23600023	LOCK BRACKET		2				
C20	JM23600024	PAD PLATE		8				
D10		INC. 15-22,27-29,31-43						
031	JM23600031	HEX BOLT M8		4				
032	JM23600060	LEAF SPRING		2	*			
032-1	JM23600064	HOOK	S	2				
033	JM21000026	FLAT WASHER 4		4				
034	JM21000027	SPRING WASHER 4		4				
035	JM23600061	H.S.BOLT M4		4	*			
035-1	JM23600065	H.S.BOLT M4X20	S	4				
036	JM23600022	BOLT M8		2				
037	JM23600021	SPRING		2				
038	JM23600020	LOCK BLOCK		2				
039	JM23600019	FLAT WASHER 6		2				
040	JM21000034	SPRING WASHER 6		2				

Artículo	Código	Descripción	Interc	Cantidad	N/O	Opción 1	Opción 2	Notas
041	JM23600018	H.S.BOLT M6		2				
042	JM21000060	FLAT WASHER 8		4				
043	JM21000106	LOCKNUT M8		4				
044	JM23600017	SELF-TAPPING SCREW ST4.2		2				
045	JM23610002	MAIN FRAME COMPLETE		1				
C10	JM23600032	MAIN FRAME		1				
C20	JM23680002	MAKITA LOGO LABEL		2				
C30	JM23680004	CAUTION LABEL		2				
046	JM23600033	TUBE		1				
047	JM23600012	HEX NUT M8		2				
048	JM23600011	CARRY HANDLE		1				
049	JM21000060	FLAT WASHER 8		2				
050	JM23600010	H.S.BOLT M8X12		2				
051	JM23600007	EXT. WING		2				
052	JM23600008	PAD A		6				
053	JM23600009	PAD B		2				
054	JM21000026	FLAT WASHER 4		2				
055	JM23600014	CROSS HEAD SCREW M4		2				
056	JM23400038	SPACER		2				
057	JM23400035	ROLLER COVER		2				
058	JM21000106	LOCKNUT M8		2				
059	JM23400036	ROLLER		1				
060	JM23600034	H.S.BOLT M8		2				
061	JM23600035	ROLLER SUPPORT		1				
062	JM23600002	H.S.BOLT M4X6		1				
063	JM23600053	H.S.BOLT M6		4				
064	JM21000034	SPRING WASHER 6		4				
065	JM21000035	FLAT WASHER 6		4				
066	JM21000060	FLAT WASHER 8		2				
067	JM23600056	BOLT M8		2				
068	JM23600055	WHEEL BRACKET		2				
069	JM21000106	LOCKNUT M8		2				
070	JM23600057	WHEEL		2				
071	JM23600054	MAIN SUPPORT BRACKET A		1				
072	JM21000035	FLAT WASHER 6		8				
073	JM21000034	SPRING WASHER 6		8				
074	JM23600053	H.S.BOLT M6		8				
075	JM23600052	MAIN SUPPORT BRACKET B		1				
076	JM23600053	H.S.BOLT M6		2				
077	JM21000034	SPRING WASHER 6		2				
078	JM21000035	FLAT WASHER 6		2				
079	JM23600036	PULL HANDLE		1				
080	JM21000063	HEX NUT M6		2				
081	JM23600037	BOLT M8		4				
082	JM23600041	FRICTION PAD 8		4				
083	JM23600041	FRICTION PAD 8		4				
084	JM21000106	LOCKNUT M8		4				
085	JM23600042	E RING 6		4				

