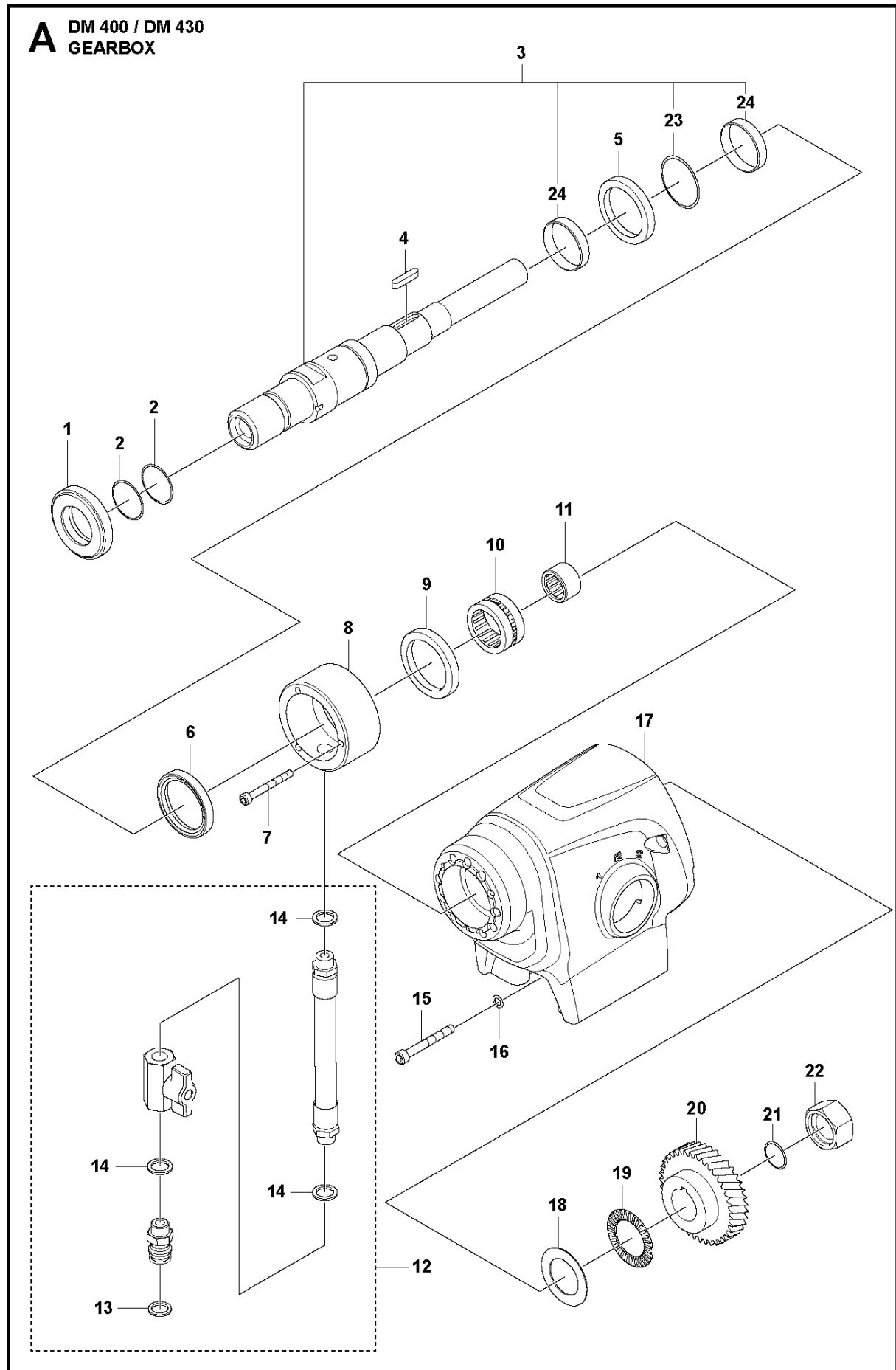




# SPARE PARTS LIST

DRILLING EQUIPMENT

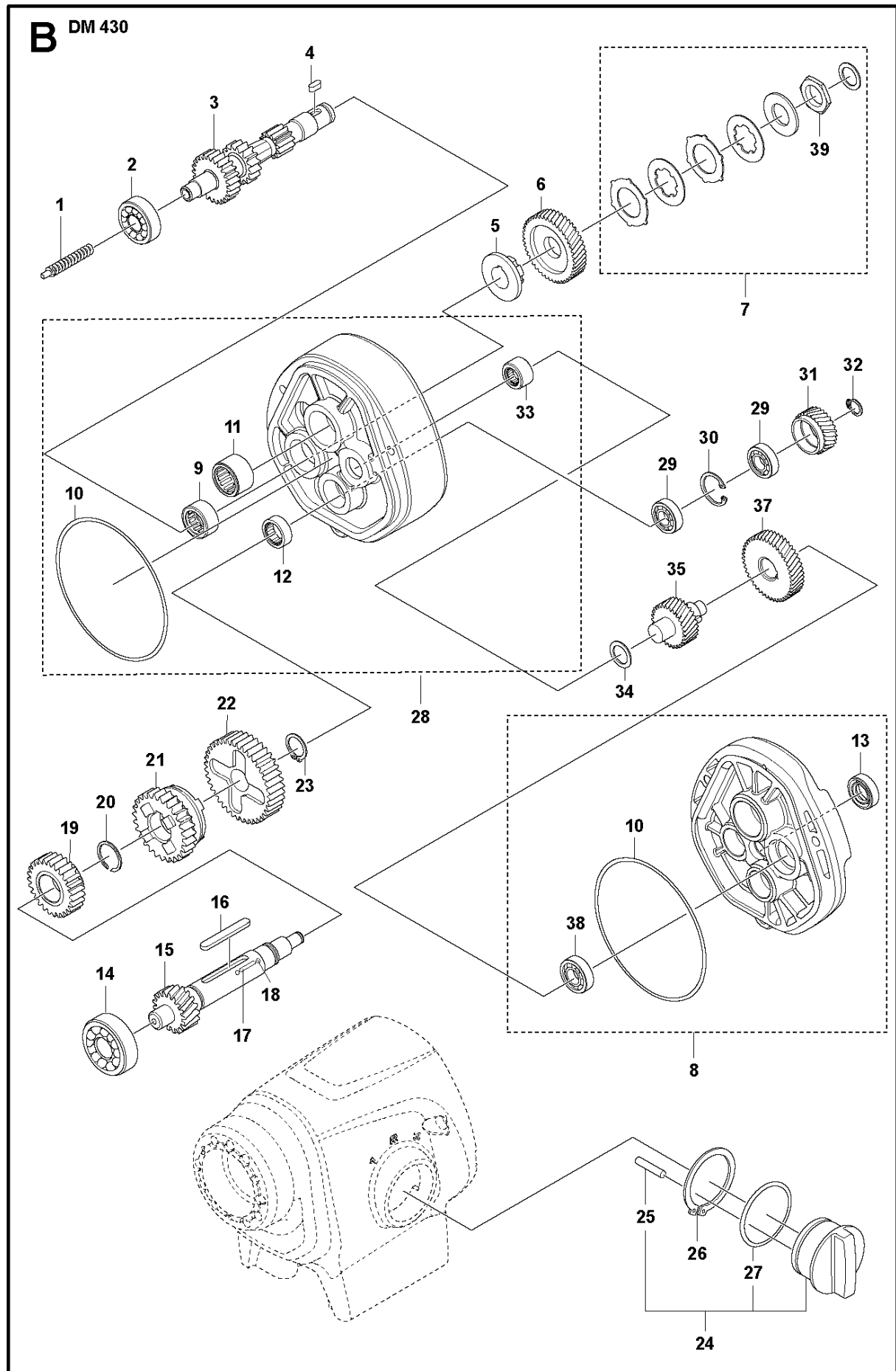
DM430, 2020-02



## GEARBOX

DM430, 2020-02

| Ref | Part No      | Description    | Remark                   | QTY KIT |    |
|-----|--------------|----------------|--------------------------|---------|----|
| 1   | 598 76 28-01 | WASHER         | QUICK RELEASE            | 1       |    |
| 2   | 598 73 27-01 | O-RING         | 32x1,5                   | 2       |    |
| 3   | 598 73 13-01 | SPINDLE SHAFT  | "ASSY 1 1/4"" UNC"       | 1       |    |
| 3   | 598 73 13-02 | SPINDLE SHAFT  | ASSY CR1 28              | 1       |    |
| 3   | 598 73 13-03 | SPINDLE SHAFT  | ASSY 32/28.9 Japan       | 1       |    |
| 4   | 598 73 26-01 | PARALLEL KEY   |                          | 1       |    |
| 5   | 598 73 23-01 | RADIAL SEAL    | 40X52X7S                 | 1       |    |
| 6   | 598 73 21-01 | RADIAL SEAL    | 40x52x7                  | 1       |    |
| 7   | 598 76 27-01 | SCREW          |                          | 3       |    |
| 8   | 598 73 12-01 | BUSHING        |                          | 1       |    |
| 9   | 598 73 22-01 | RADIAL SEAL    | 38X50X7                  | 1       |    |
| 10  | 598 73 15-01 | BEARING        |                          | 1       |    |
| 11  | 598 73 14-01 | NEEDLE BEARING |                          | 1       |    |
| 12  | 598 73 28-01 | HOSE ASSY      | KIT                      | 1       |    |
| 13  | 598 73 20-01 | O-RING         | RDR11x2,5                | 1       | 12 |
| 14  | 598 73 25-01 | SEALING RING   |                          | 3       | 12 |
| 15  | 598 76 26-01 | SCREW          |                          | 3       |    |
| 16  | 598 76 17-01 | WASHER         |                          | 3       |    |
| 17  | 598 73 10-01 | GEAR HOUSING   |                          | 1       |    |
| 18  | 598 76 22-01 | WASHER         | THRUST BEARING<br>WASHER | 1       |    |
| 19  | 598 73 16-01 | BEARING        | THRUST                   | 1       |    |
| 20  | 598 73 82-01 | GEAR WHEEL     |                          | 1       |    |
| 21  | 598 73 19-01 | O-RING         | RDR20x3                  | 1       |    |
| 22  | 598 76 25-01 | NUT            |                          | 1       |    |
| 23  | 598 85 54-01 | O-RING         | RDR34x2                  | 1       | 3  |
| 24  | 598 85 53-01 | SLEEVE         | SPINDLE SHAFT            | 2       | 3  |

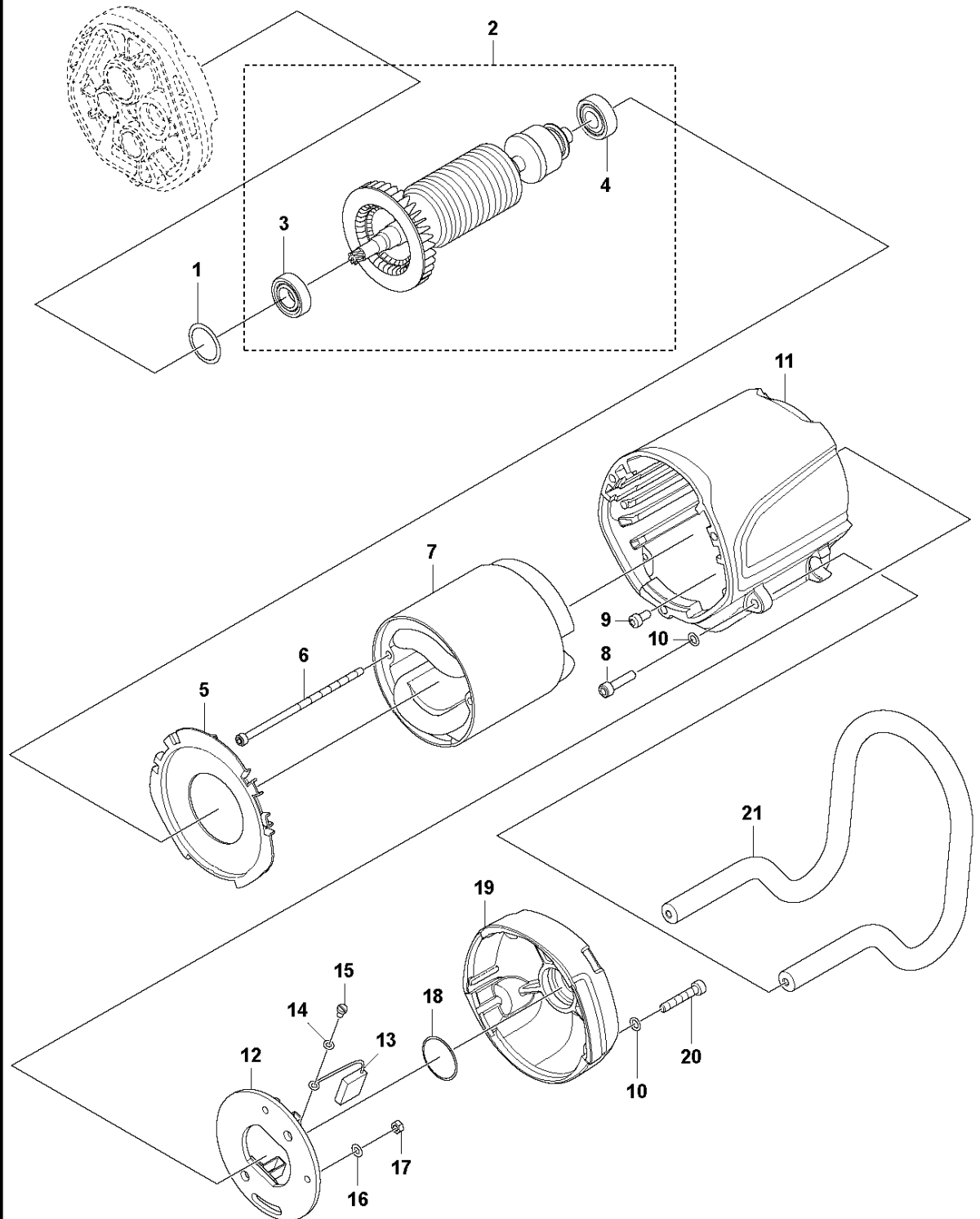


## GEARBOX

DM430, 2020-02

| Ref | Part No      | Description      | Remark         | QTY | KIT  |
|-----|--------------|------------------|----------------|-----|------|
| 1   | 598 73 38-01 | TUBE             | SPIRAL         | 1   |      |
| 2   | 598 73 40-01 | BALL BEARING     |                | 1   |      |
| 3   | 598 73 32-02 | GEAR WHEEL SHAFT |                | 1   |      |
| 4   | 598 73 49-01 | PARALLEL KEY     | A4x4x10        | 1   |      |
| 5   | 598 73 34-01 | DRIVER           |                | 1   |      |
| 6   | 598 73 33-01 | GEAR WHEEL       |                | 1   |      |
| 7   | 598 77 52-01 | CLUTCH ASSY      | SLIP CLUTCH    | 1   |      |
| 8   | 598 73 53-02 | COVER ASSY       |                | 1   |      |
| 9   | 598 95 29-01 | NEEDLE BEARING   |                | 1   | 28   |
| 10  | 598 73 44-01 | O-RING           |                | 2   | 28,8 |
| 11  | 598 73 43-01 | NEEDLE BEARING   |                | 1   | 28   |
| 12  | 598 95 31-01 | NEEDLE BEARING   |                | 1   | 28   |
| 13  | 598 73 30-01 | RADIAL SEAL      |                | 1   | 8    |
| 14  | 598 73 39-01 | BALL BEARING     |                | 1   |      |
| 15  | 598 73 83-02 | GEAR WHEEL SHAFT |                | 1   |      |
| 16  | 598 73 48-01 | PARALLEL KEY     | A6x6x45        | 1   |      |
| 17  | 598 73 46-01 | PRESSURE SPRING  |                | 1   |      |
| 18  | 598 79 69-01 | BALL             | GEAR CHANGE    | 2   |      |
| 19  | 598 73 36-01 | GEAR WHEEL       |                | 1   |      |
| 20  | 598 79 56-01 | RETAINER RING    | DM650, CIRCLIP | 1   |      |
| 21  | 598 73 37-01 | GEAR WHEEL       |                | 1   |      |
| 22  | 598 73 35-01 | GEAR WHEEL       |                | 1   |      |
| 23  | 598 73 52-01 | CIRCLIP          | 16x1           | 1   |      |
| 24  | 598 73 31-01 | GEARSHIFT LEVER  |                | 1   |      |
| 25  | 598 73 50-01 | PARALLEL PIN     | 5m6x25         | 1   | 24   |
| 26  | 598 73 51-01 | CIRCLIP          | 42x1,75        | 1   |      |
| 27  | 598 73 45-01 | O-RING           |                | 1   | 24   |
| 28  | 598 96 45-01 | COVER ASSY       | EXTENDED       | 1   |      |
| 29  | 598 96 46-01 | BALL BEARING     |                | 1   |      |
| 30  | 598 96 47-01 | CIRCLIP          | J24x1,2        | 1   |      |
| 31  | 598 96 48-01 | GEAR WHEEL       |                | 1   |      |
| 32  | 598 96 49-01 | CIRCLIP          | 10x1           | 1   |      |
| 33  | 598 73 42-01 | NEEDLE BEARING   | HK1412         | 1   | 28   |
| 34  | 598 96 51-01 | SHIM             | PS14x20x1      | 1   |      |
| 35  | 598 96 52-01 | GEAR WHEEL SHAFT |                | 1   |      |
| 37  | 598 96 54-01 | GEAR WHEEL       |                | 1   |      |
| 38  | 598 96 55-01 | BALL BEARING     | 6000           | 1   | 8    |
| 39  | 599 54 07-01 | NUT              | NUT            | 1   |      |

**C** DM 400 / DM 430  
MOTOR

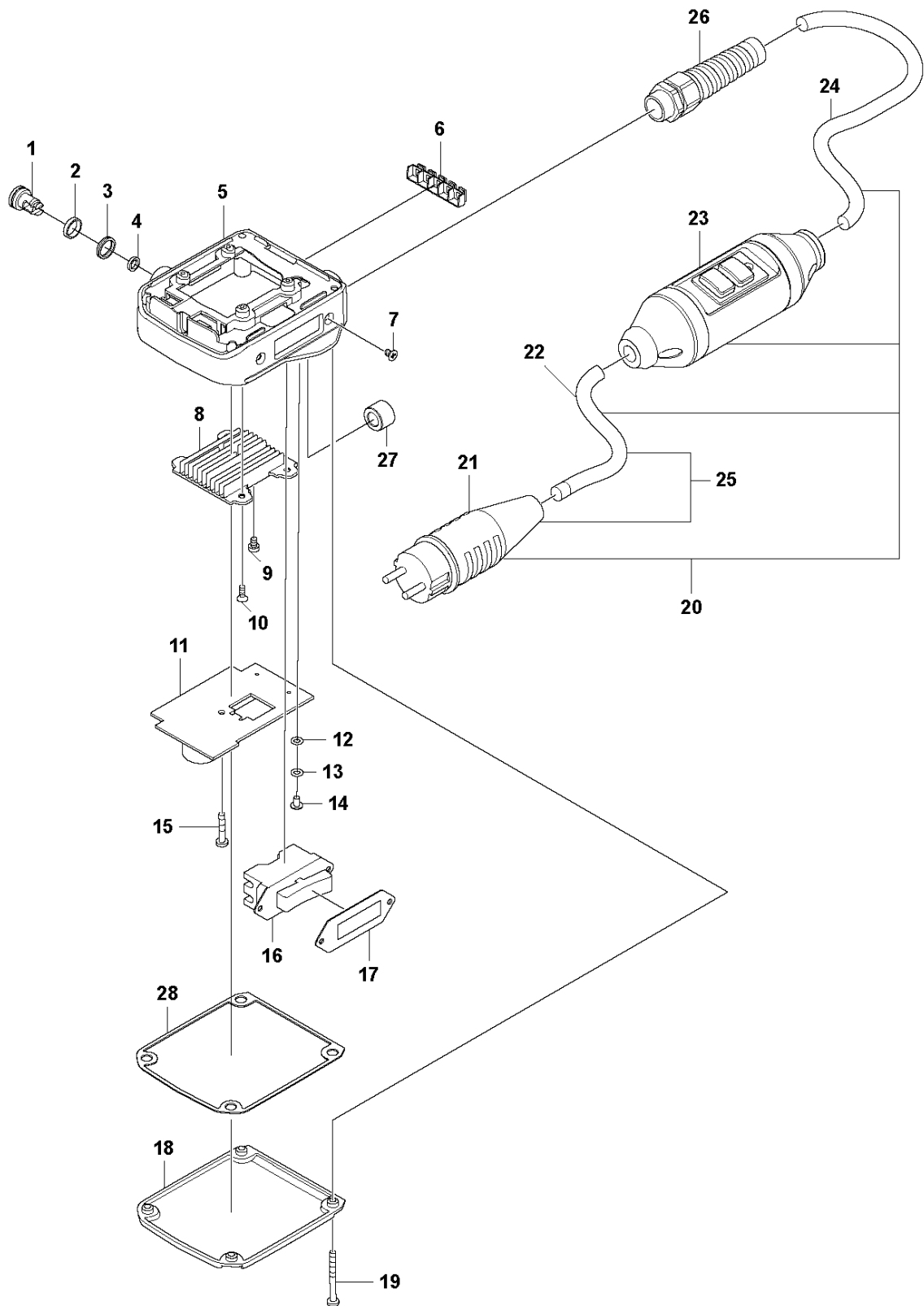


## MOTOR

DM430, 2020-02

| Ref | Part No      | Description   | Remark        | QTY KIT |    |
|-----|--------------|---------------|---------------|---------|----|
| 1   | 598 73 67-01 | SHIM          | WASHER        | 1       |    |
| 2   | 598 73 69-01 | ROTOR         | 230V          | 1       |    |
| 2   | 598 73 69-02 | ROTOR         | 120V          | 1       |    |
| 3   | 598 73 66-01 | BALL BEARING  | 6002 Z        | 1       | 2  |
| 4   | 598 73 65-01 | BALL BEARING  | 6201 2Z       | 1       | 2  |
| 5   | 598 73 63-01 | AIR CONDUCTOR |               | 1       |    |
| 6   | 598 76 06-01 | SCREW         |               | 2       |    |
| 7   | 598 73 59-01 | STATOR ASSY   | 230V          | 1       |    |
| 7   | 598 73 59-02 | STATOR ASSY   | 120V          | 1       |    |
| 8   | 598 80 88-01 | SCREW         |               | 2       |    |
| 9   | 598 73 60-01 | SLEEVE        | INSULATING    | 1       |    |
| 10  | 598 76 17-01 | WASHER        |               | 5       |    |
| 11  | 598 73 57-01 | MOTOR HOUSING |               | 1       |    |
| 12  | 598 73 62-01 | HOLDER        | CARBON BRUSH  | 1       |    |
| 13  | 598 73 64-01 | CARBON BRUSH  | SET 230V      | 1       | 12 |
| 13  | 598 73 64-02 | CARBON BRUSH  | SET 120V      | 1       | 12 |
| 14  | 598 76 19-01 | WASHER        |               | 2       | 12 |
| 15  | 598 76 09-01 | SCREW         |               | 2       | 12 |
| 16  | 598 76 18-01 | WASHER        |               | 2       |    |
| 17  | 732 21 14-01 | LOCK NUT      |               | 2       |    |
| 18  | 598 73 68-01 | O-RING        | RDR32x3       | 1       |    |
| 19  | 598 73 58-01 | COVER         | MOTOR HOUSING | 1       |    |
| 20  | 598 76 05-01 | SCREW         |               | 3       |    |
| 21  | 598 79 77-01 | HANDLE        |               | 1       |    |

**D** DM 400 / DM 430  
ELECTRICAL



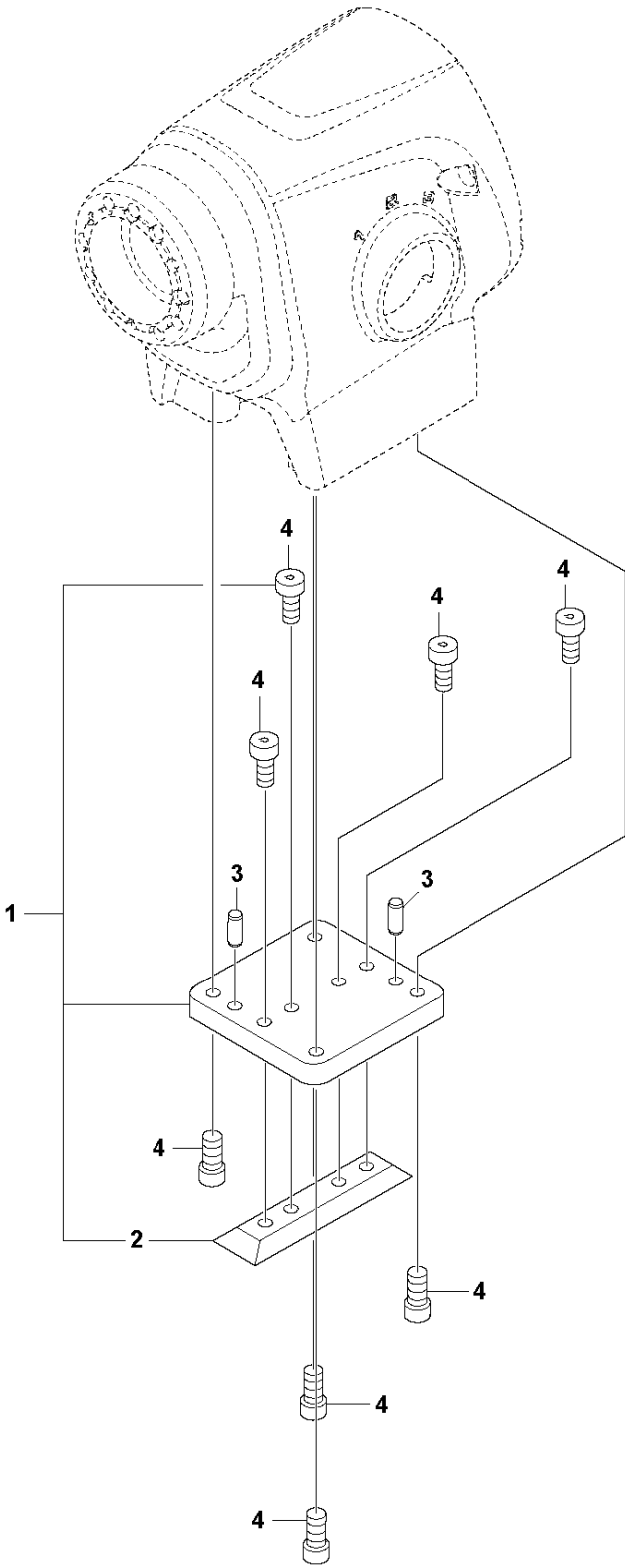


## ELECTRICAL

DM430, 2020-02

| Ref | Part No      | Description           | Remark                        | QTY | KIT |
|-----|--------------|-----------------------|-------------------------------|-----|-----|
| 1   | 598 78 02-01 | PUSH BUTTON           |                               | 1   |     |
| 2   | 598 78 01-01 | O-RING                | RDR 13x1,2                    | 1   |     |
| 3   | 598 78 00-01 | SPRING                | WAVE                          | 1   |     |
| 4   | 598 77 98-01 | MAGNET                | RING 10x7x2                   | 1   |     |
| 5   | 598 73 75-01 | HOLDER                | ELECTRONICS                   | 1   |     |
| 6   | 598 77 97-01 | PROTECTIVE CAP        |                               | 1   |     |
| 7   | 598 76 10-01 | SCREW                 |                               | 2   |     |
| 8   | 598 73 73-01 | COOLER                |                               | 1   |     |
| 9   | 598 76 16-01 | SCREW                 |                               | 2   |     |
| 10  | 598 76 11-01 | SCREW                 |                               | 2   |     |
| 11  | 598 73 72-01 | PRINTED CIRCUIT BOARD | 230V                          | 1   |     |
| 11  | 598 73 72-02 | PRINTED CIRCUIT BOARD | 120V                          | 1   |     |
| 12  | 598 76 19-01 | WASHER                |                               | 3   |     |
| 13  | 598 80 94-01 | WASHER                |                               | 3   |     |
| 14  | 598 80 90-01 | SCREW                 |                               | 3   |     |
| 15  | 598 80 93-01 | SCREW                 |                               | 2   |     |
| 16  | 598 73 79-01 | SWITCH                | POWER                         | 1   |     |
| 17  | 598 73 74-01 | SEALING               | SWITCH                        | 1   |     |
| 18  | 598 73 71-01 | COVER                 | ELECTRONICS                   | 1   |     |
| 19  | 598 76 07-01 | SCREW                 |                               | 4   |     |
| 20  | 598 78 24-01 | CABLE ASSY            | INCL PRCD and PLUG<br>US, JP  | 1   |     |
| 21  | 598 73 80-01 | PLUG                  | MAINS CH                      | 1   | 20  |
| 21  | 598 73 80-02 | PLUG                  | MAINS UK                      | 1   | 20  |
| 22  | 598 73 76-01 | CABLE                 | 3G1,5x1,5m CH                 | 1   | 20  |
| 23  | 598 78 37-01 | CIRCUIT BREAKER       | PRCD 230V                     | 1   | 20  |
| 24  | 598 73 77-01 | CABLE                 | 3G1,5x2,3m 230V EU, CH,<br>AU | 1   | 20  |
| 24  | 598 73 77-02 | CABLE                 | 3G1,5x2,3m 230V BR            | 1   | 20  |
| 24  | 598 73 77-03 | CABLE                 | 3G4x3,8m 120V UK              | 1   | 20  |
| 25  | 598 73 81-01 | CABLE ASSY            | INCL PLUG EU                  | 1   |     |
| 25  | 598 73 81-02 | CABLE ASSY            | INCL PLUG AU                  | 1   |     |
| 25  | 598 73 81-03 | CABLE ASSY            | INCL PLUG BR                  | 1   |     |
| 26  | 598 73 78-01 | CABLE SLEEVE          |                               | 1   |     |
| 27  | 599 38 88-01 | FERRITE CORE          | 230 V                         | 1   |     |
| 27  | 599 38 88-02 | FERRITE CORE          | 120 V                         | 1   |     |
| 28  | 599 44 88-01 | SEALING               |                               | 1   |     |

**E** DM 400 / DM 430  
MOTOR BRACKET



MOTOR BRACKET

DM430, 2020-02

| Ref | Part No      | Description      | Remark           | QTY KIT |   |
|-----|--------------|------------------|------------------|---------|---|
| 1   | 575 80 82-02 | ATTACHMENT PLATE | ATTACHMENT PLATE | 1       |   |
| 2   | 575 80 81-01 | WEDGE            | WEDGE            | 1       | 1 |
| 3   | 720 14 01-06 | PARALLEL PIN     | PARALLEL PIN     | 2       |   |
| 4   | 725 54 51-01 | SCREW IHSCM      | SCREW            | 8       | 1 |