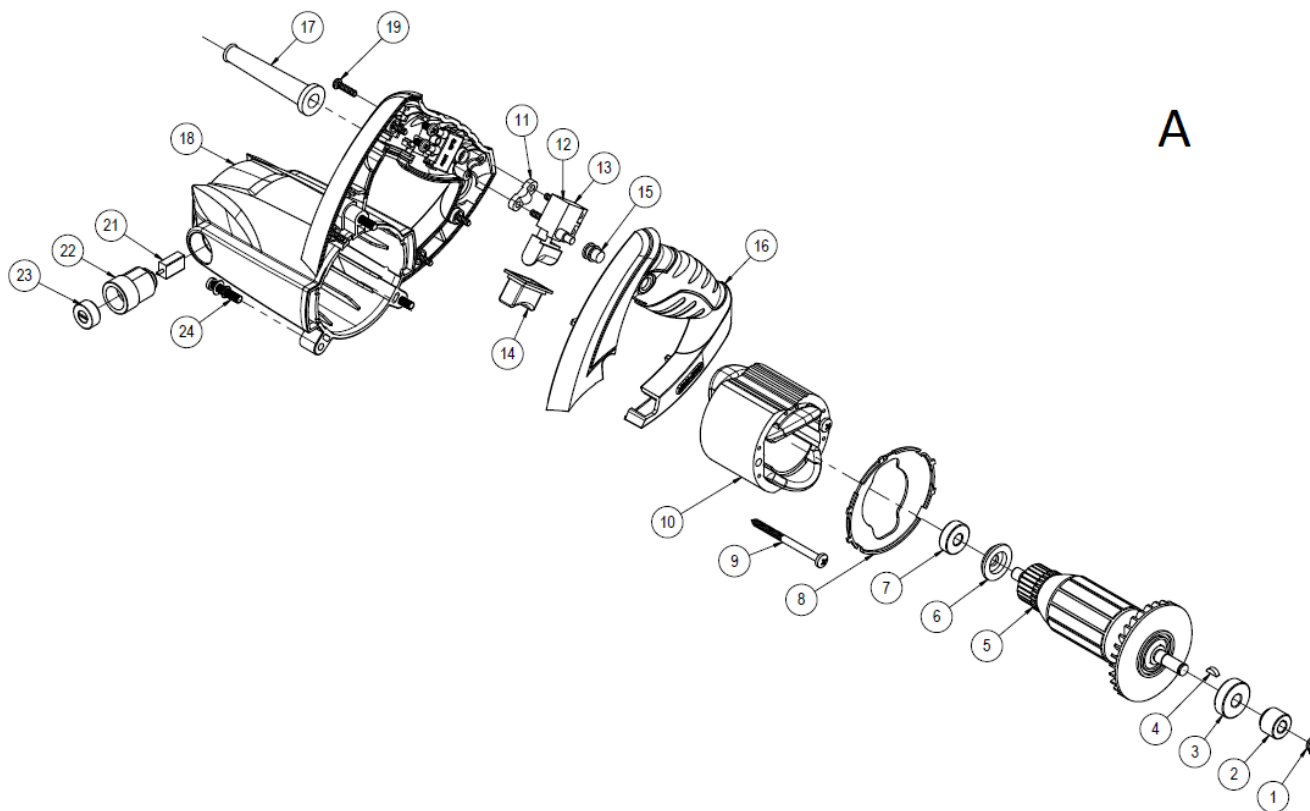


| Part-list | ES | EN | Prod. |
|-----------|---------|---------|-------|
| 1 | GRUPO A | GROUP A | |
| 2 | GRUPO B | GROUP B | |
| 3 | GRUPO C | GROUP C | |
| 4 | GRUPO D | GROUP D | |
| 5 | GRUPO E | GROUP E | |
| 6 | GRUPO F | GROUP F | |

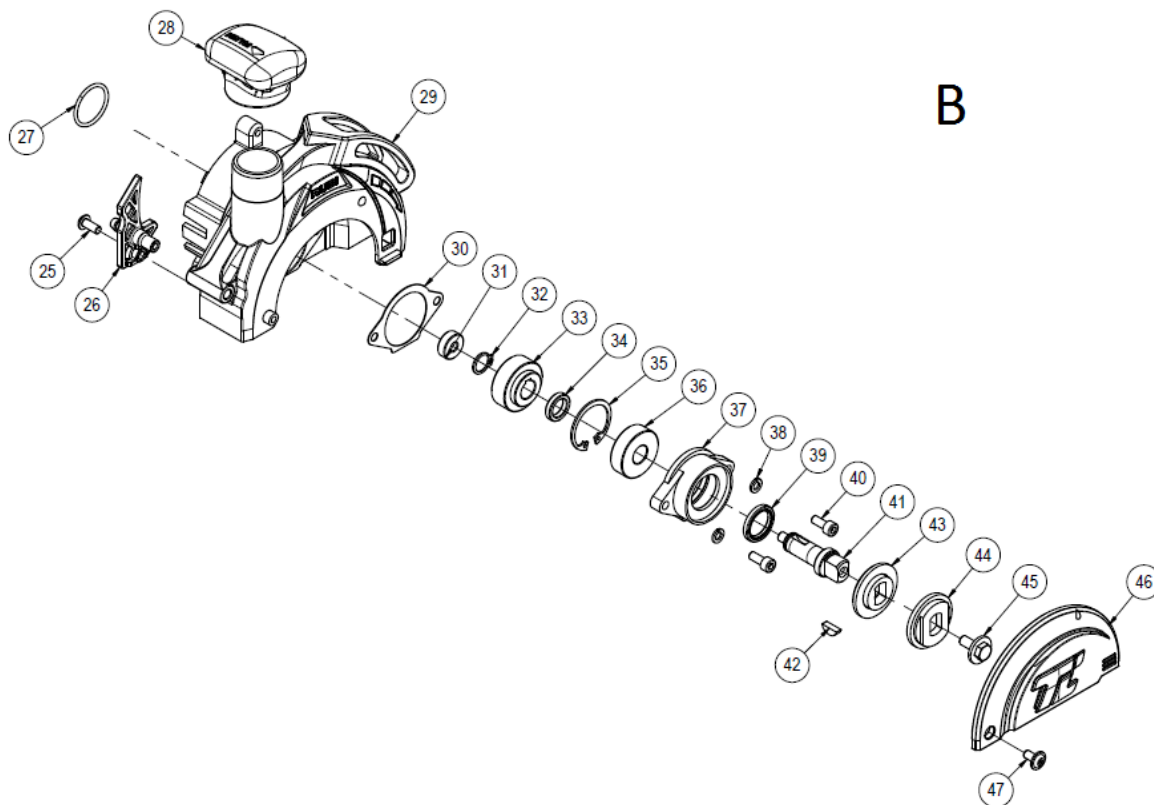
| Prod. | ES | EN | From serial num. |
|-------|---------------------------------------|---|------------------|
| 50953 | TC-125 230V 50HZ CORT.CIRC. | TC-125 230V 50HZ CIRCULAR SAW | - |
| 51901 | KIT TC-125 230V 50HZ 2 BULTOS | SET TC-125 230V 50HZ 2 PACK | - |
| 51902 | KIT TC-125 230V 50HZ UK 2 BULTOS | SET TC-125 230V 50HZ + ACCESSORY GUIDES | - |
| 51903 | KIT TC-125 120V 60HZ USA 2 BULTOS | SET TC-125 120V 60HZ USA 2 PACK | - |
| 51904 | KIT TC-125 110V 50HZ UK 2 BULTOS | SET TC-125 110V 50HZ + ACCESSORY GUIDES | - |
| 51957 | TC-125 120V 60HZ USA CORT.CIRC./DISCO | TC-125 120V 60HZ USA W/BLADE | - |
| 51959 | TC-125 230V 50HZ UK CORT.CIRC. | TC-125 230V 50HZ CIRCULAR SAW | - |
| 51961 | TC-125 110V 50HZ UK CORT.CIRC. | TC-125 110V 50HZ CIRCULAR SAW | - |

Queda reservado el derecho de introducir cualquier modificacion técnica sin previo aviso

We reserve the right to introduce any technical modification without previous notice

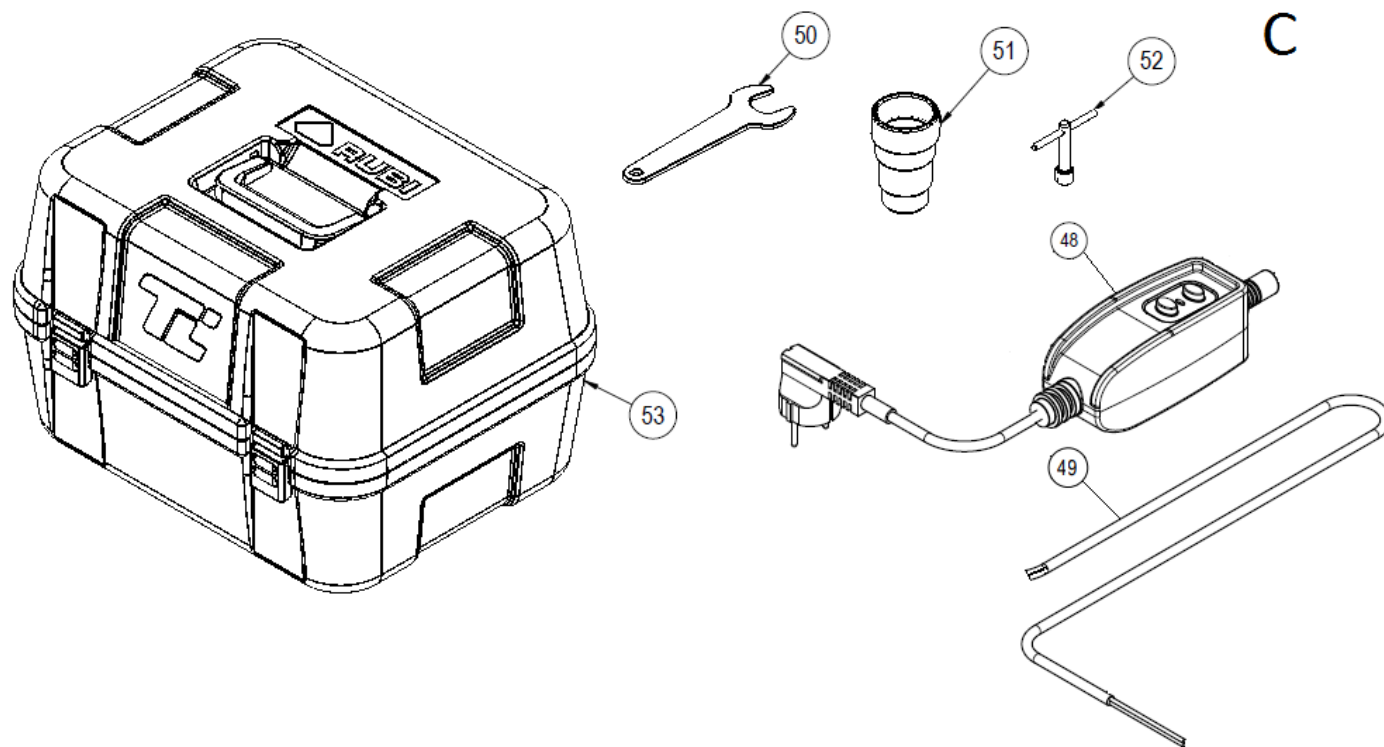


| Part-list | ES | EN | Prod. | |
|-----------|---------|-------------------------------------|-------------------------------------|----------------------------|
| 1 | 7162 1 | ANILLO DIN 471 Ø 8 ZN | CIRCLIP DIN 471 Ø 8 ZP | |
| 2 | 51706 1 | ENGRANAJE HELI Z17 TC-125 | HELICAL GEAR Z17 TC-125 | |
| 3 | 51707 1 | RODAMIENTO 629 2RS NSK | BEARING 629 2RS NSK | |
| 4 | 51721 1 | CHAVETA DIN 6888 3X3,7X10 | WOODRUFF KEY DIN 6888 3X3,7X10 | |
| 5 | 51709 1 | ROTOR TC-125 230 V | ROTOR TC-125 230 V | 50953, 51959, 51901, 51902 |
| 5 | 51776 1 | ROTOR TC-125 110 V | ROTOR TC-125 110 V | 51961, 51957, 51903, 51904 |
| 6 | 51723 1 | ARAND AISLANTE | INSULATION WASHER | |
| 7 | 51724 1 | RODAMIENTO 608 2RS WTOO | BEARING 608 2RS WTOO | |
| 8 | 51725 1 | ANILLO DEFLECTOR | BAFFLE RING | |
| 9 | 51726 2 | TORN ST4,8X65 6.8 ZN | SCREW ST4,8X65 6.8 ZP | |
| 10 | 51779 1 | ESTATOR TC-125 110V | STATOR TC-125 110V | 51961, 51957, 51903, 51904 |
| 10 | 51727 1 | ESTATOR TC-125 230V | STATOR TC-125 230V | 50953, 51959, 51901, 51902 |
| 11 | 51728 1 | ABRAZADERA CABLE TC-125 | CABLE CLAMP TC-125 | |
| 12 | 51729 2 | TORN ST3,9X14 6.8 ZN | SCREW ST3,9X14 6.8 ZP | |
| 13 | 51733 1 | INTERRUPTOR TC-125 230 V | SWITCH TC-125 230 V | 50953, 51959, 51901, 51902 |
| 13 | 51787 1 | INTERRUPTOR TC-125 110 V | SWITCH TC-125 110 V | 51961, 51957, 51903, 51904 |
| 14 | 51730 1 | PROTECTOR INTERRUPTOR TC-125 | SWITCH COVER TC-125 | |
| 15 | 51731 1 | TAPA INTERRUPTOR TC-125 | LOCK COVER TC-125 | |
| 16 | 51732 1 | ASA TC-125 | HANDLE COVER TC-125 | |
| 17 | 51734 1 | PROTECCION CABLE TC-125 | CORD GUARD TC-125 | |
| 18 | 51735 1 | CARCASA MOTOR TC-125 | MOTOR HOUSING TC-125 | |
| 19 | 51736 5 | TORN ST3,9X16 6.8 ZN | SCREW ST3,9X16 6.8 ZP | |
| 21 | 51809 2 | JUEGO ESCOBILLAS TC-125 110V (2 UN) | CARBON BRUSH SET TC-125 110V (2 UN) | 51961, 51957, 51903, 51904 |
| 21 | 51764 2 | JUEGO ESCOBILLAS TC-125 230V (2 UN) | CARBON BRUSH SET TC-125 230V (2 UN) | 50953, 51959, 51901, 51902 |
| 22 | 51737 2 | PORTAESCOBILLAS TC-125 | BRUSH HOLDER TC-125 | |
| 23 | 51738 2 | TAPA ESCOBILLAS TC-125 | BRUSH CAP TC-125 | |
| 24 | 51750 3 | TORNILLO M5X25 6.8 ZN | SCREW M5X25 6.8 ZN | |

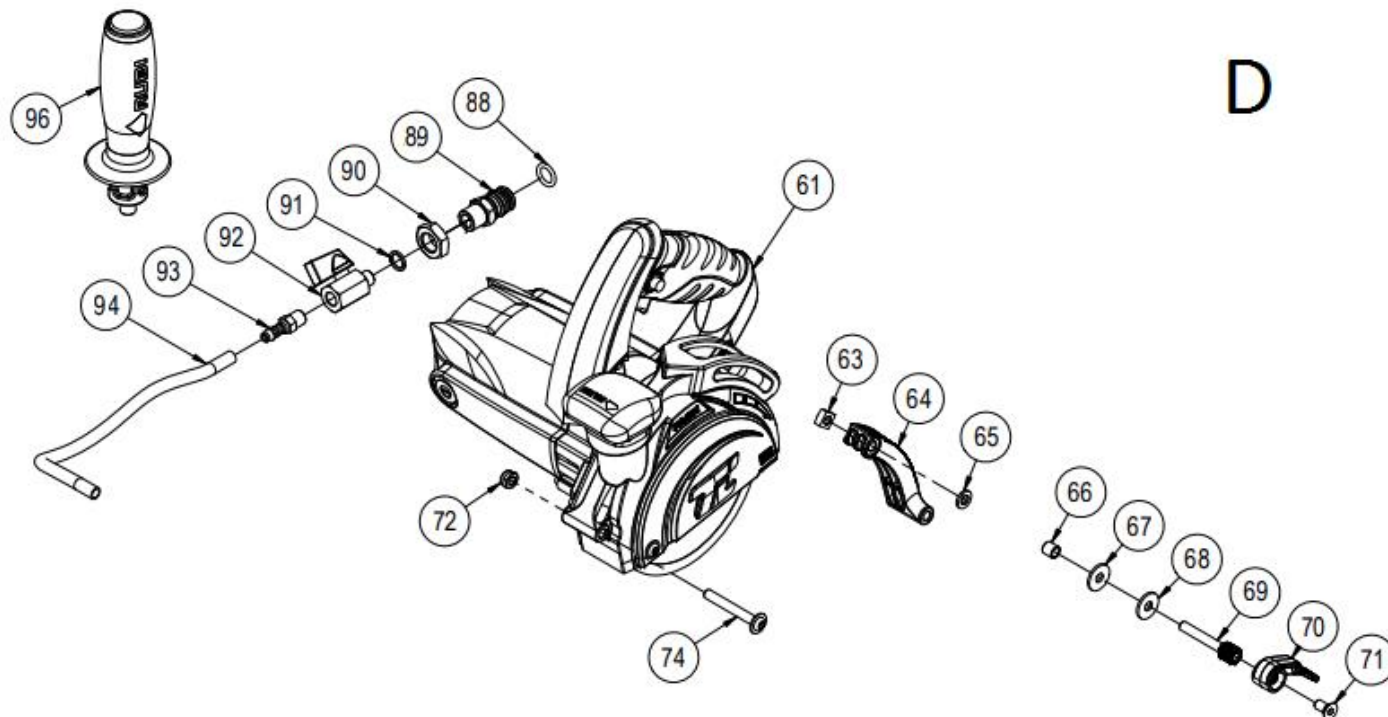


B

| Part-list | ES | EN | Prod. |
|-----------|---------|-----------------------------------|------------------------------|
| 25 | 51740 1 | TORN ISO 7380 M5X12 6.8 ZN | SCREW ISO 7380 M5X12 6.8 ZP |
| 26 | 51679 1 | ADAPTADOR PARA AGUA TC-125 | WATER COOLING ADAPTER TC-125 |
| 27 | 51741 1 | JUNTA TORICA OR 24,8X2,1 | O-RING OR 24,8X2,1 |
| 28 | 51681 1 | TAPON ANTIPOLVO TC-125 | RUBBER CAP TC-125 |
| 29 | 51675 1 | FRONTAL ALUMINIO TC-125 | ALUMINIUM HOUSING TC-125 |
| 30 | 51765 1 | JUNTA CELULOSA TC-125 | CELLULOSE GASKET TC-125 |
| 31 | 51743 1 | RODAMIENTO 606 2Z WTOO | BEARING 606 2Z WTOO |
| 32 | 57339 1 | ANILLO DIN 471 Ø 12 ZN | WASHER DIN 471 DIA.12 ZP |
| 33 | 51745 1 | ENGRANAJE HELI Z40 TC-125 | HELICAL GEAR Z40 TC-125 |
| 34 | 51746 1 | CASQ 18X12X4 FE | BUSHING 18X12X4 FE |
| 35 | 61261 1 | ANILLO DIN 472 Ø 32 | CIRCLIP DIN 471 Ø12 |
| 36 | 51748 1 | RODAMIENTO 6201 2RS WTOO | BEARING 6201 2RS WTOO |
| 37 | 51676 1 | BRIDA RODAMIENTOS TC-125 | BEARING HOUSING TC-125 |
| 38 | 51763 2 | ARAND DIN 127 M5 | WASHER DIN 127 M5 |
| 39 | 51751 1 | RETEN TC 125 | SEALED OIL RING TC 125 |
| 40 | 5531 2 | TORN DIN 912 M5X12 8.8 ZN | SCREW DIN 912 M5x12 8.8 ZP |
| 41 | 51753 1 | EJE TC-125 | SPINDLE TC-125 |
| 42 | 51752 1 | CHAVETA DIN 6888 4X5X13 | WOODRUFF KEY DIN 6888 4X5X13 |
| 43 | 51677 1 | PLETINA INTERIOR TC-125 | INNER FLANGE TC-125 |
| 44 | 51678 1 | PLETINA EXTERIOR TC-125 | OUTER FLANGE TC-125 |
| 45 | 51754 1 | TORN M6X16 6.8 ZN | SCREW M6X16 6.8 ZN |
| 46 | 51674 1 | TAPA PROTECCION DISCO TC-125 | SAFETY COVER TC-125 |
| 47 | 51742 1 | TORN ISO 7380 ARAND. M5X10 8.8 ZN | SCREW ISO 7380 AR M5X10 8.8 |

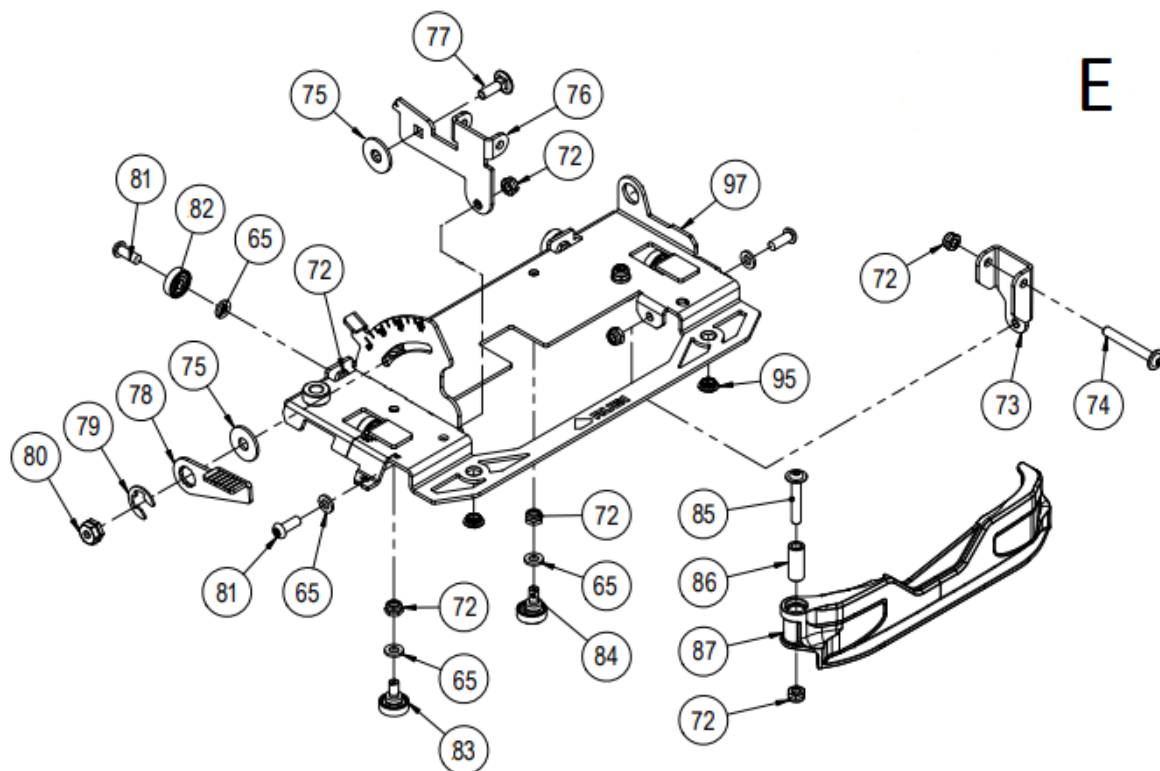


| Part-list | ES | EN | Prod. |
|-----------|---------|---------------------------------------|---|
| 48 | 52223 1 | ENCHUFE CABL.PRCO 3X1,5 110/60 LV-NEM | PRCD CABLE PLUG 3X1,5 120/60 LV-NEMA 51957, 51903 |
| 48 | 51780 1 | ENCHUFE CABL.PRCO 3X1,5 110/50 LV-BS | PRCD CABLE PLUG 3X1,5 110/50 LV-BS 51961, 51904 |
| 48 | 51777 1 | ENCHUFE CABL.PRCO 3X1,5 230/50 LV-BS | PRCD CABLE PLUG 3X1,5 230/50 LV-BS 51959, 51902 |
| 48 | 51658 1 | ENCHUFE CABL.PRCO 3X1,5 230/50 LV-VDA | PRCD CABLE PLUG 3X1,5 230/50 LV-VDA 50953, 51901 |
| 49 | 52390 1 | CABLE 2X1 1,9 M PARA REF:51780 | CABLE 2X1 1,9 M FOR REF:51780 51961, 51904 |
| 49 | 52389 1 | CABLE 2X1 1,9 M PARA REF:51777 | CABLE 2X1 1,9 M FOR REF:51777 51959, 51902 |
| 49 | 52391 1 | CABLE 2X1 1,9 M PARA REF:52223 | CABLE 2X1 1,9 M FOR REF:52223 51957, 51903 |
| 49 | 52222 1 | CABLE 2X1 1,9 M PARA REF:51658 | CABLE 2X1 1,9 M FOR REF:51658 50953, 51901 |
| 50 | 51683 1 | LLAVE PLANA 22 MM | OPEN SPANNER 22 MM |
| 51 | 51680 1 | ADAPTADOR ASPIRACION TC-125 | VACUUM HOSE ADAPTER TC-125 |
| 52 | 51682 1 | LLAVE DE TUBO 10 MM | T-SOCKET SPANNER 10 MM |
| 53 | 51684 1 | MALETA TC-125 | CASE TC-125 |

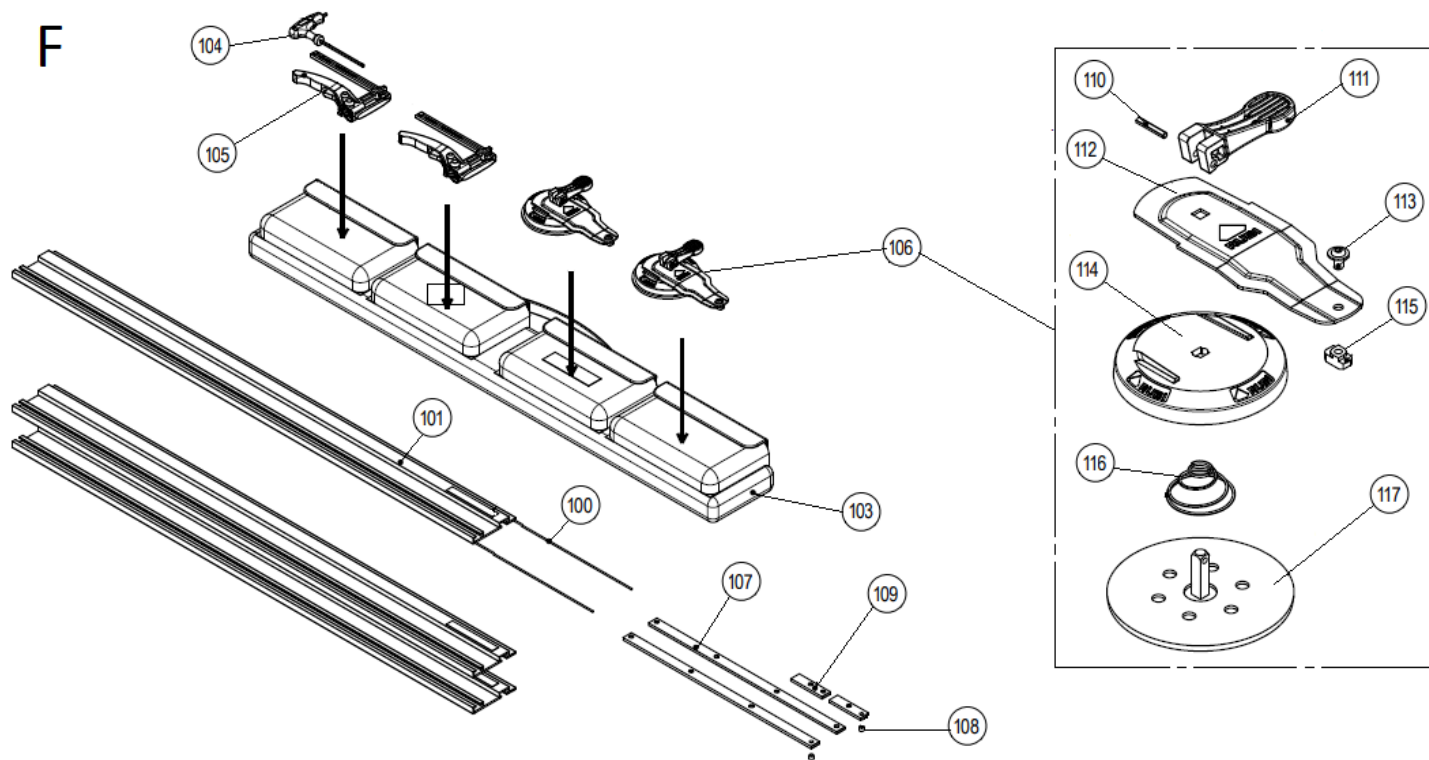


D

| Part-list | ES | EN | Prod. |
|-------------|---------------------------------------|-------------------------------------|--------------|
| 61 51655 1 | CJ.MAQUINA TC-125 230V 50HZ | MOTOR SET TC-125 230V 50HZ | 50953, 51901 |
| 61 51704 1 | CJ.MAQUINA TC-125 110V 50HZ UK | MOTOR SET TC-125 110V 50HZ UK | 51961, 51904 |
| 61 51703 1 | CJ.MAQUINA TC-125 230V 50HZ UK | MOTOR SET TC-125 230V 50HZ UK | 51959, 51902 |
| 61 51701 1 | CJ.MAQUINA TC-125 120V 60HZ USA | MOTOR SET TC-125 120V 60HZ USA | 51957, 51903 |
| 63 56124 1 | TUERCA DIN 557 M6 CUADRADA CL8 ZN | SQUARE NUT DIN 557 M6 CL8 ZP | |
| 64 51665 1 | GUIA VERTICAL TC-125 MM | DEEPNESS GUIDE TC-125 MM | |
| 65 25177 11 | ARAND DIN 125 A6,4 ZN | WASHER DIN 125 A6,4 ZP | |
| 66 51667 1 | CASQ 6,2X8X8 FE ZN | SPACER 6,2X8X8 STEEL ZP | |
| 67 50002 1 | ARAND DIN 9021 A6,4 PA | WASHER DIN 9021 A6,4 PA | |
| 68 45038 1 | ARAND DIN 9021 A6,4 ZN | WASHER DIN 9021 A6,4 ZP | |
| 69 51666 1 | EJE BLOQUEO TC-125 | LOCKING SCREW TC-125 | |
| 70 51668 1 | PALANCA BLOQUEO TC-125 | PLASTIC LOCKING LEVER TC-125 | |
| 71 60680 1 | TORN DIN 7991 M6X12 6.8 ZN | SCREW DIN 7991 M6X12 6.8 ZP | |
| 72 40020 13 | TUERCA DIN 985 M6 CL8 ZN AUTOBLOC | HEX LOCK NUT DIN 985 M6 CL8 ZP | |
| 88 51648 1 | JUNTA TORICA 11X2.5 NBR 70 SHORE A | O-RING 11X2.5 NBR 70 SHORE A | |
| 89 51687 1 | CONECTOR RAPIDO MANGUERA H G1/8" | HOSE QUICK CONNECTOR F G1/8 | |
| 90 60032 1 | TUERCA DIN 936 M14 CL8 ZN | NUT DIN 936 M14 CL8 ZP | |
| 91 51285 1 | JUNTA GAS 1/8 10X13X1,5 | SEALING RING O GAS 1/8 10X13X1,5 | |
| 92 51685 1 | MICRO VALVULA MH G1/8" | MINI BALL VALVE MF G1/8" | |
| 93 51686 1 | ADAPTADOR Ø6 -R1/8" PA | HOSE TAIL CONNECTOR Ø6-R1/8" PA | |
| 94 51649 1 | TUBO PVC CRISTAL Ø6X8 230 MM | PVC TRANSP. PIPE Ø6X8 230 MM | |
| 96 54889 1 | CJ.EMPUÑADURA M10 RUBI DU-EVO C/TAPON | RUBI HANDLE M10 SET WITH CAP DU-EVO | |



| Part-list | ES | EN | Prod. |
|-----------|----------|---------------------------------------|---|
| 65 | 25177 11 | ARAND DIN 125 A6,4 ZN | WASHER DIN 125 A6,4 ZP |
| 72 | 40020 13 | TUERCA DIN 985 M6 CL8 ZN AUTOBLOC | HEX LOCK NUT DIN 985 M6 CL8 ZP |
| 73 | 51662 1 | CHAPA REGULACION ALTURA TC-125 | HEIGHT ADJUSTMENT PLATE TC-125 |
| 74 | 51672 2 | TORN ISO 7380 M6X45 10.9 ZN | SCREW ISO 7380 M6X45 10.9 ZP |
| 75 | 51785 2 | ARAND 24X8,4X2 | WASHER 24X8,4X2 |
| 76 | 51661 1 | CHAPA REGULACIÓN 45° TC-125 | 45° ADJUSTMENT PLATE TC-125 |
| 77 | 51669 1 | TORN DIN 603 M6X18 6.8 ZN | SCREW DIN 603 M6X18 6.8 ZP |
| 78 | 51664 1 | PALANCA CHAPA REGULACION TC-125 | STEEL LOCKING LEVER 45° TC-125 |
| 79 | 51671 1 | ANILLO ELAST. DIN 6799 12 INOX A2 | CIRCLIP DIN 6799 12 SS A2 |
| 80 | 51663 1 | TUERCA RANURADA TC-125 | SPECIAL NUT TC-125 |
| 81 | 24207 6 | TORN ISO 7380 M6X16 8.8 ZN | SCREW ISO 7380 M6X16 8.8 ZP |
| 82 | 51806 4 | RODAMIENTO 626 2RZ INOX CUBIERTA GOMA | BEARING 626 2RZ SS RUBBER COVER |
| 83 | 51808 2 | CJ.RODAMIENTO FIJO TC-125 V2 | FIXED SHAFT W/BEARING SET TC-125 V2 |
| 84 | 51807 2 | CJ.RODAMIENTO EXCENTRICO TC-125 V2 | ECCENTRIC SHAFT W/BEARING SET TC-125 V2 |
| 85 | 51689 1 | TORN ISO 7380 M6X35 10.9 ZN | SCREW ISO 7380 M6X35 10.9 ZP |
| 86 | 51647 1 | CASQ 6X10X24,5 FE ZN | SPACER 6X10X24,5 STEEL ZN |
| 87 | 51688 1 | TAPA PROTECCION LATERAL TC-125 | SAFETY COVER TC-125 |
| 95 | 51695 2 | TAPON FINAL LB 10X13 | BLANKING PLUG - LB 10X13 |
| 97 | 51657 1 | CHASIS CARRO TC-125 | STEEL CHASSIS PLATE TC-125 |



| Part-list | ES | EN | Prod. | |
|-----------|-------|----|--|-------------------------------------|
| 100 | 18219 | 6 | JUNTA TORICA Ø 2,5 BLANCA | O-RING Ø 2,5 WHITE |
| 101 | 18218 | 3 | GUIA SLIM CUTTER | GUIDE SLIM CUTTER |
| 103 | 18230 | 1 | BOLSA DE TRANSPORTE SLIM CUTTER | CARRY BAG SLIM CUTTER |
| 104 | 18654 | 1 | LLAVE ALLEN BOLA 4 MM MANGO T | T HANDLE END BALL HEX KEY 4 MM |
| 105 | 52220 | 2 | SARGENTO RAPIDO F 120X60 ROJO | F QUICK CLAMP 120X60 RED |
| 106 | 18834 | 2 | ACCESORIO VENTOSA SLIM CUTTER | SUCTION PAD ACCESORY SLIM CUTTER |
| 107 | 18728 | 2 | GUIA DE UNION 20X5X450 V2 | UNION GUIDE 20X5X450 V2 |
| 108 | 18732 | 12 | PRISIONERO DIN 913 M8X8 8.8 ZN | PIN DIN 913 M8X8 8.8 ZP |
| 109 | 18729 | 2 | GUIA DE UNION 20X5X75 V2 | UNION GUIDE 20X5X75 V2 |
| 110 | 65318 | 2 | PASADOR DIN 7343 Ø 4X24 | PIN DIN 7343 Ø 4X24 |
| 111 | 65337 | 2 | MANGO VENTOSA V3 GRIS | SUCTION PUMP HANDLE V3 GREY |
| 112 | 51698 | 2 | PLACA FIJACION VENTOSA SLIM CUTTER V2 | SUCTION CUP ASSEMBLY SLIM CUTTER V2 |
| 113 | 55591 | 2 | TORN ISO 7380 AR M6X10 10.9 ZN TUFLOCK | SCREW ISO 7380 AR M6X10 10.9 ZP |
| 114 | 65339 | 2 | CUERPO VENTOSA V5 | SUCTION PAD BODY V5 |
| 115 | 18215 | 2 | TUERCA CARRIL T-M6 SLIM CUTTER | NUT RAIL T-M6 SLIM CUTTER |
| 116 | 65254 | 2 | MUELLE VENTOSA | SUCTION PAD SPRING |
| 117 | 65837 | 2 | CJ.GOMA VENTOSA RM | RUBBER SUCTION PUMP RM SET |