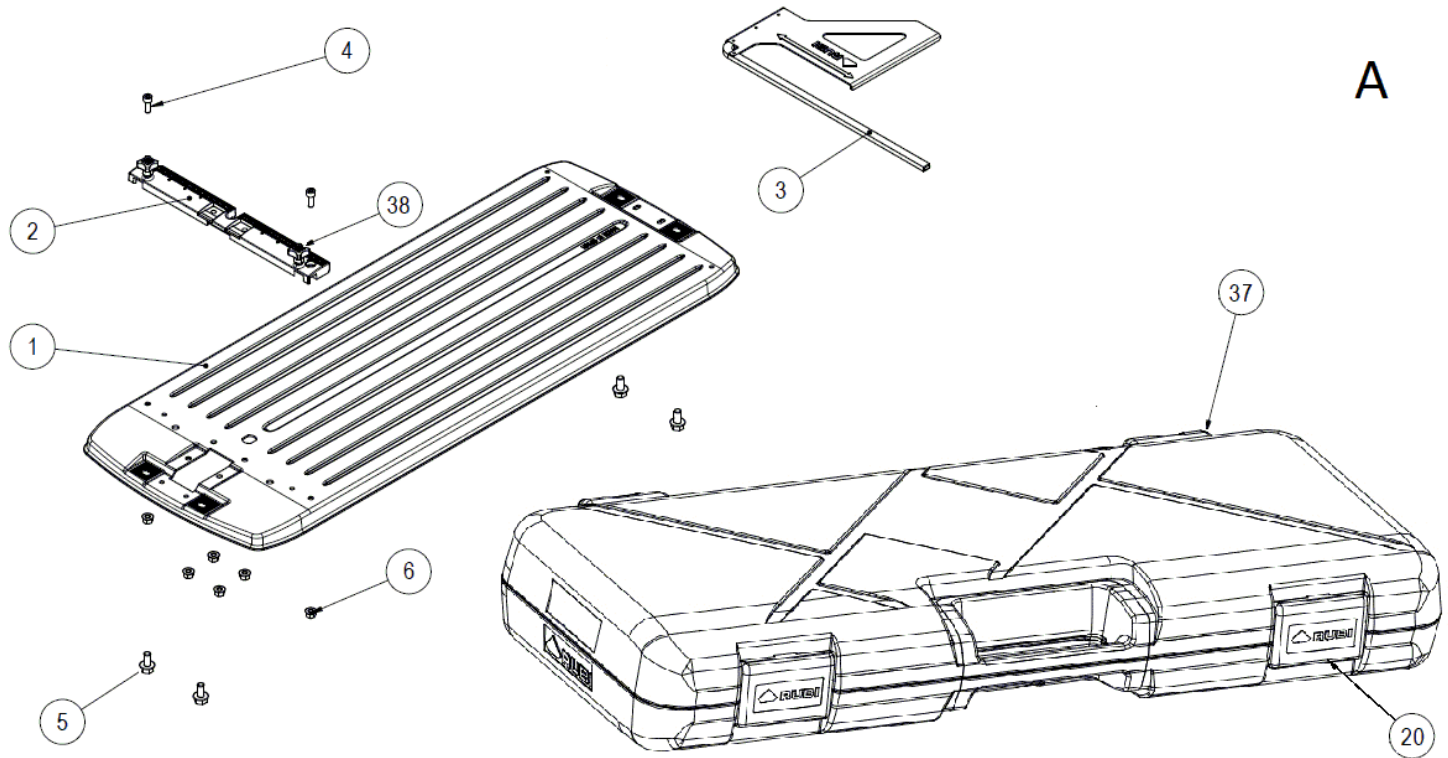
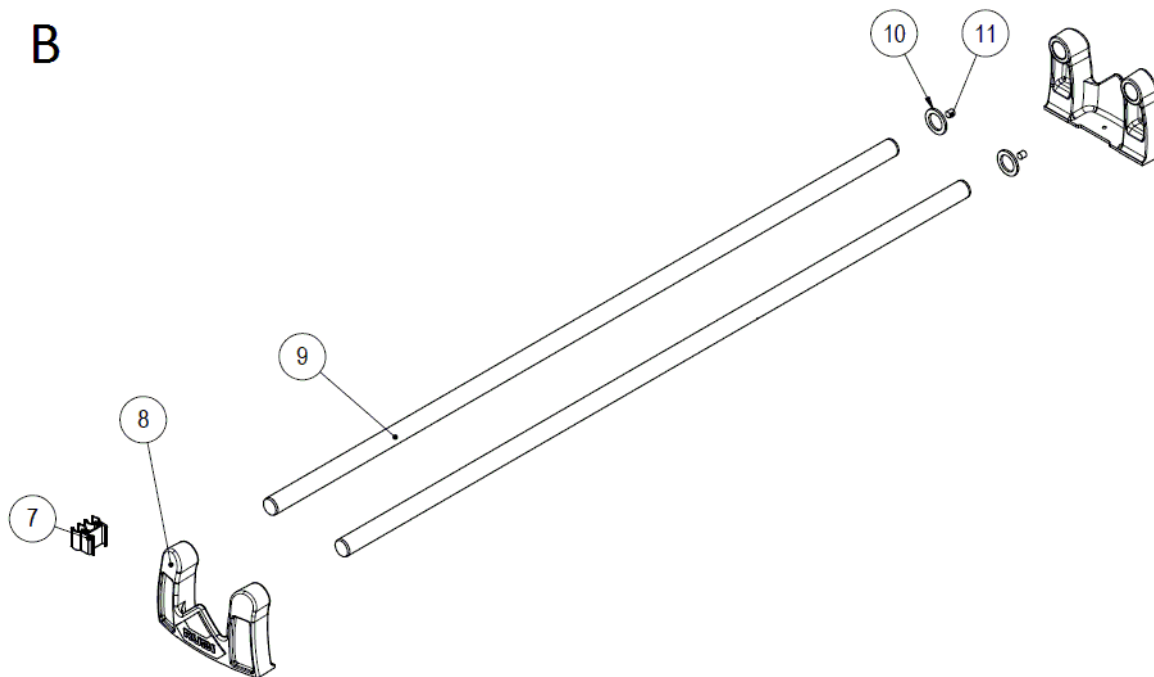


Part-list	ES	EN	Prod.
1	A	GRUPO BASE	BASE GROUP
2	B	GRUPO GUIAS Y SOPORTES	GUIDE AND SUPPORT GROUP
3	C	GRUPO PORTHERRAMIENTAS Y CORREDERAS	TOOLHOLDER AND SLIDER GROUP
4	D	GRUPO SEPARADOR	BREAKER GROUP

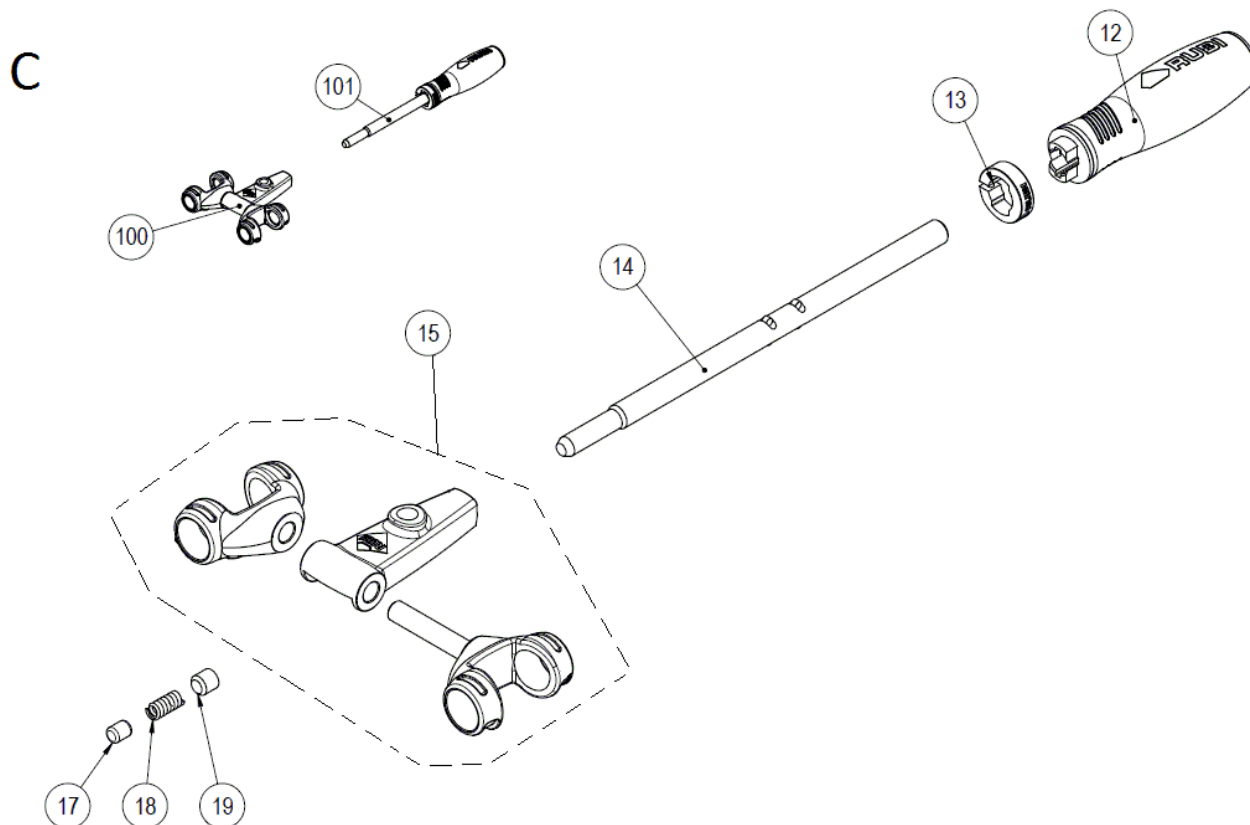
Prod.	ES	EN	From serial num.
18920	TS-43 MAX ORANGE -CORTADOR MANUAL	TS-43 MAX ORANGE TILE CUTTER 17" 43 CM	7729
18921	TS-57 MAX ORANGE -CORTADOR MANUAL	TS-57 MAX ORANGE TILE CUTTER 23" (57 cm)	5124
18922	TS-66 MAX ORANGE -CORTADOR MANUAL	TS-66 MAX ORANGE TILE CUTTER 26" (66 cm)	23888
18923	TS-75 MAX ORANGE -CORTADOR MANUAL	TS-75 MAX ORANGE TILE CUTTER 29" (75 cm)	3775
18924	TS-43 MAX ORANGE SIN MALETA -CORT.MAN.	TS-43 MAX ORANGE WO/CASE	7729
18925	TS-57 MAX ORANGE SIN MALETA -CORT.MAN.	TS-57 MAX ORANGE WO/ CASE	5124
18926	TS-66 MAX ORANGE SIN MALETA -CORT.MAN.	TS-66 MAX ORANGE WITHOUT CASE	23888
18927	TS-75 MAX ORANGE SIN MALETA -CORT.MAN.	TS-75 MAX ORANGE SIN MALETA	3775
18972	TS-43 MAX GREY -CORTADOR MANUAL	TS-43 MAX GREY TILE CUTTER 17" 43 CM	7729
18973	TS-57 MAX GREY -CORTADOR MANUAL	TS-57 MAX GREY TILE CUTTER 23" (57 cm)	5124
18974	TS-66 MAX GREY -CORTADOR MANUAL	TS-66 MAX GREY TILE CUTTER 26" (66 cm)	23888
18975	TS-75 MAX GREY -CORTADOR MANUAL	TS-75 MAX GREY TILE CUTTER 29" (75 cm)	3775



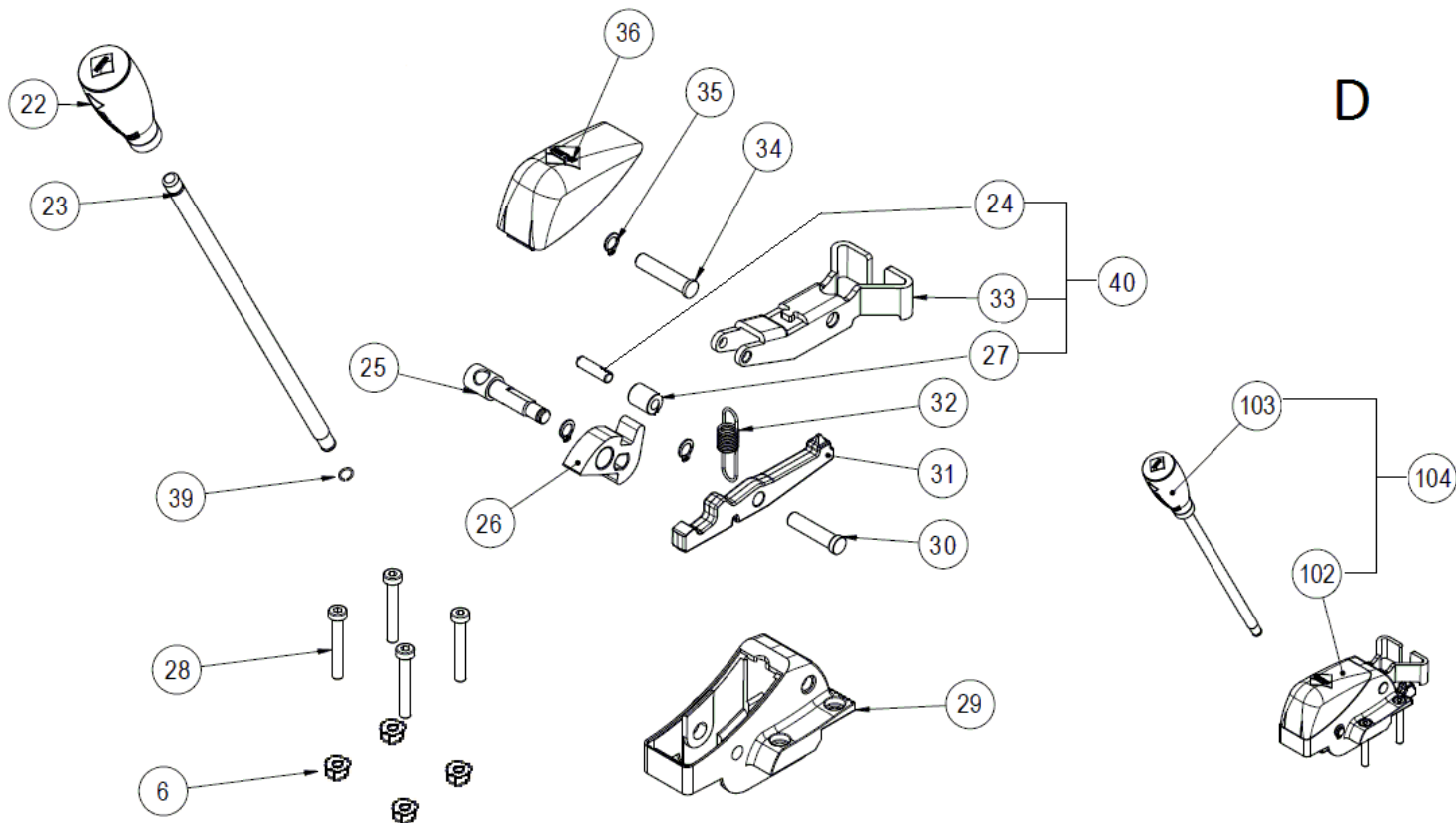
Part-list	ES	EN	Prod.
1	15230 1	BASE TS-70 V2	18923, 18927
1	15227 1	BASE TS-40 V3	18920, 18924
1	15228 1	BASE TS-50 V3	18921, 18925
1	15229 1	BASE TS-60 V3	18922, 18926
1	15195 1	BASE TS-70 V3/G	18975
1	15187 1	BASE TS-60 V4/G	18974
1	15179 1	BASE TS-40 V4/G	18972
1	15182 1	BASE TS-50 V4/G	18973
2	15837 1	CJ.ESCUADRA TS-40 MAX	18920, 18924, 18972
2	15839 1	CJ.ESCUADRA TS-60/70 MAX	18922, 18923, 18926, 18927, 18974, 18975
2	15838 1	CJ.ESCUADRA TS-50 MAX	18921, 18925, 18973
3	15749 1	TOPE LATERAL TS-60/70 V2	18922, 18923, 18926, 18927, 18974, 18975
3	15844 1	TOPE LATERAL TS-50 V3	18921, 18925, 18973
3	15843 1	TOPE LATERAL TS-30/40 V3	18920, 18924, 18972
4	45051 2	TORN DIN 912 M6X16 6.8 ZN	SCREW DIN 912 M6X16 6.8 ZP
5	15166 4	TORN DIN 6921 M8X16 6.8 ZN	SCREW DIN 6921 M8X16 6.8 ZP
6	83035 6	TUERCA DIN 6923 M6 CL8 ZN	NUT DIN 6923 M6 CL8 ZP
20	18366 2	CIERRE MALETA TS/TS PLUS NUEVO	PLASTIC LATCH TS/TS PLUS NUEVO
37	15158 1	MALETA TS-40/50/R	18920, 18924, 18972, 18921, 18925, 18973
37	15160 1	MALETA TS-60/70/R	18922, 18923, 18926, 18927, 18974, 18975
38	17021 2	COM.POMO M6X10 ROJO	RED KNOB SET M6X10



Part-list	ES	EN	Prod.	
7	18194 1	CLIP SOPORTE RODELES TS	SCORING WHEEL SUPPORT CLIP TS	
8	15181 2	SOPORTE TS-50/60 V3/NG	GUIDE SUPPORT TS-50/60 V3/BLK	
9	15223 2	GUIA Ø 17 L=790 CROMADA	CHROMING GUIDE Ø 17 L=790	18922, 18926, 18974
9	15221 2	GUIA Ø 17 L=560 CROMADA	CHROMING GUIDE Ø 17 L=560	18920, 18924, 18972
9	15224 2	GUIA Ø 17 L=884 CROMADA	CHROMING GUIDE Ø 17 L=884	18923, 18927, 18975
9	15222 2	GUIA Ø 17 L=700 CROMADA	CHROMING GUIDE Ø 17 L=700	18921, 18925, 18973
10	16096 2	TOPE CORREDERA Ø16,8X25X2	SLIDE TOP TS MAX	
11	15136 2	TACO GOMA Ø 6X6	RUBBER STOPPER 6X6	



Part-list	ES	EN	Prod.
12	18361 1	MANGO RESTYLING TS/TR/TX V2	RESTYLING HANDLE TS/TR/TX V2
13	18316 1	ANILLO MANGO RESTYLING TS	RESTYLING HANDLE RING TS
14	18362 1	VARILLA MANGO RESTYLING TS V2	RESTYLING HANDLE BAR TS V2
15	16824 1	CJ.CORRED.PORTAHERRAM.TS MAX PINT.ROJO	TOOL HOLDER SET TS MAX RED
17	15113 1	TACO DE NYLON Ø 5.5X 1.5 K-180	NYLON STOPFEN DIA.5.5X 1.5 K-180
18	15128 1	MUELLE FRENO PORTAHERRAM.	TOOLHOLDER BRAKE SPRING
19	17580 1	TORN DIN 913 M10X10X1,25 6.8	SCREW DIN 913 M10X10X1,25 6.8
100	16830 1	CJ.CORREDERA.PORTAHERRAM.TS MAX	TOOL-HOLDER TS MAX
101	18811 1	CJ.MANGO RESTYLING TS	RESTYLING HANDLE SET TS



Part-list	ES	EN	Prod.
6	83035 4	TUERCA DIN 6923 M6 CL8 ZN	NUT DIN 6923 M6 CL8 ZP
22	18331 1	MANGO RESTYLING SEPARADOR TS	RETYLING SEPARATOR HANDLE TS
23	18322 1	VARILLA MANGO RESTYLING SEPARADOR TS	RETYLING SEPARATOR HANDLE BAR TS
24	16206 1	PASADOR CILINDRICO Ø 6 H7X22	CYLINDRICAL PIN Ø 6 H7X22
25	7154 1	EJE LEVA SEPARADOR TS	AXLE CAM BREAKER TS
26	16093 1	LEVA COMANDO SEPARADOR TS MAX	BREAKER CAM TS MAX
27	16226 1	CASQ 6X12X14,5 CABONITRURADO	BUSHING 6X12X14,5
28	45051 4	TORN DIN 912 M6X16 6.8 ZN	SCREW DIN 912 M6X16 6.8 ZP
29	16263 1	CARCASA SEPARADOR PLUS V3	SEPARATOR CASE PLUS V3
30	7169 1	EJE PALANCA SUFRIDERA	AXLE SEPARATOR
31	15220 1	PALANCA SUFRID.SEPARADOR TS MAX	LOWER LEVER SEPARATOR TS MAX
32	7159 1	MUELLE PALANCA SEPARADOR "S"	S BREAKER INNER SPRING
33	16095 1	PALANCA PISON SEP.TS MAX	RAM LEVER SEPARATOR TS MAX
34	7158 1	EJE PALANCA PISON	PITCHER LEVER AXLE
35	7162 3	ANILLO DIN 471 Ø 8 ZN	CIRCLIP DIN 471 Ø 8 ZP
36	16084 1	TAPA CARCASA SEPARADOR TS MAX	COVER CAP SEPARATOR TS MAX
39	15038 1	ANILLO DIN 17223/84C RETENCION	STOPPER RING DIN 17223/84C
40	15805 1	CJ.PALANCA PISON SEP.MAX	TAMPER LEVER SET SEPARATOR MAX
102	16823 1	CJ.SEPARADOR TS MAX	SEPARATOR SET TS MAX
103	18814 1	CJ.MANGO RESTYLING SEPARADOR TS	RETYLING SEPARATOR HANDLE SET TS
104	18824 1	SEPARADOR TS MAX CON MANGO	TS MAX SEPARATOR WITH HANDLE