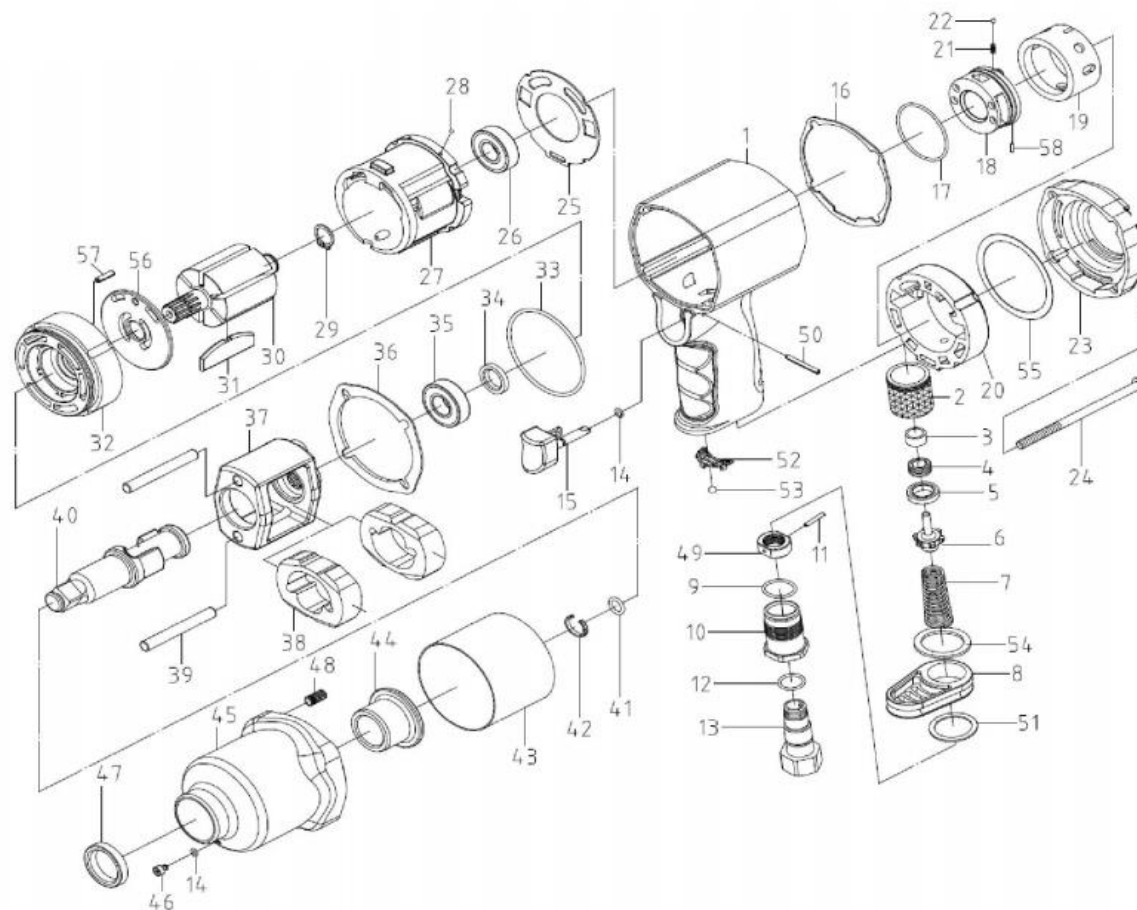


Nº	CODE	DESCRIPTION	Nº	CODE	DESCRIPTION
1&2	P81501	HOUSING ASSY	31	P81527	ROTOR BLADE (6)
3&4	P81502	SEAL AND SCREW ASSY	32	P81528	FRONT END PLATE
5	P81503	VALVE SEAT	33	P81529	O-RING
6	P81504	THROTTLE VALVE	34	P81530	OIL SEAL
7	P81505	VALVE SPRING	35	P81531	BALL BEARING
8	BP81506	EXHAUST DEFLECTOR	36	BP81532	ORNAMENTAL GASKET
9	P81507	O-RING	37	P81533	HAMMER CAGE
10	P81508	CONNECTOR	38	P81534	HAMMER DOG (2)
11	P81509	SPRING PIN	39	P81535	HAMMER PIN (2)
12	P81510	O-RING	40	BP81536	ANVIL 1/2"
13	P81511	AIR INLET BUSHING	41	P81537	O-RING
14	P81512	O-RING (2)	42	P81538	SOCKET RETAINER
15	BP81513	TRIGGER	43	P81539	STEEL SLEEVE
16	BP81514	ORNAMENTAL GASKET	44	P81540	ANVIL BUSHING
17	P81515	O-RING	45&48	BP81541	HAMMER CASE
18	P81516	REVERSE SWITCH	46	P81542	SCREW
19&20	BP81517	REVERSE BUSHING	47	P81543	OIL SEAL
21	P81518	SPRING	49	P81544	NUT
22	P81519	STEEL BALL	50	P81545	SPRING PIN
23	P81520	END CAP	51	P81546	WASHER
24	P81521	CAP SCREWS (4)	52	P81547	MUFFLER COVER
25	P81522	GASKET	53	P81548	CERAMIC BALL
26	P10121	BALL BEARING	54	BP81549	SEAL
27&28	BP81523	CYLINDER	55	P81550	GASKET
29	P81525	RETAINER RING	56	P81551	WASHER
30	P81526	ROTOR	57	P81552	DOWEL PIN



**BP815**

*SNA Europe does not cover the causes over negligence in tool use and/or repair, inadequate care, or abnormal usage conditions. Follow the instructions for proper use, safety, maintenance and servicing given by SNA Europe*