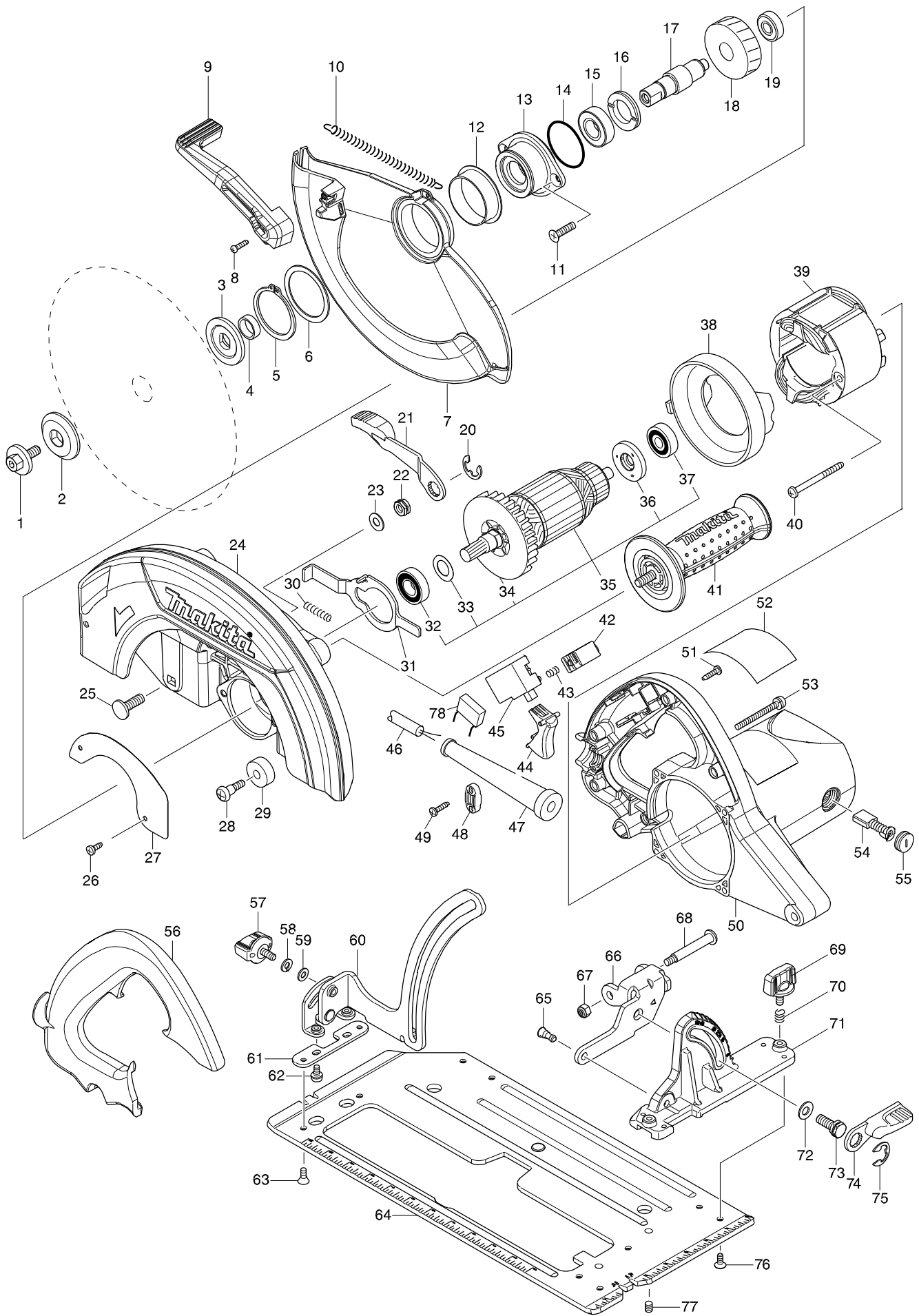


Modelo HS0600 260MM CIRCULAR SAW



Artículo	Código	Descripción	Interc	Cantidad	N/O	Opción 1	Opción 2	Notas
001	251519-4	HEX.SOCKET HEX.BOLT M8X25		1				
002	224325-0	OUTER FLANGE 45		1				
003	224326-8	INNER FLANGE 45		1				
004	257279-6	RING 17		1				
005	961202-2	RETAINING RING S-45		1				
006	267219-6	FLAT WASHER 45		1				
007	319527-2	SAFETY COVER		1				
008	265178-8	PAN HEAD SCREW M4X16		1				
009	272258-3	LEVER 37		1				
010	232356-5	TENSION SPRING 6		1				
011	265031-8	+ COUNTERSUNK HEAD SCREW M6X		2				
012	457317-6	SPACER		1				
013	319529-8	BEARING BOX		1				
014	213560-5	O RING 44		1	*			
014-1	213676-6	O RING 53	X	1				
015	210301-0	BALL BEARING 6003DDW		1				
016	285809-3	BEARING RETAINER 23-36		1				
017	326877-8	SPINDLE		1				
018	226523-2	HELICAL GEAR 39		1				
019	210141-6	BALL BEARING 6000DDW		1				
020	257953-6	BOW STOP RING E-12		1				
021	271432-0	LEVER 107		1				
022	252199-9	HEX. NUT M8-13		1				
023	941201-0	FLAT WASHER 8		1				
024	144284-1	BLADE CASE COMPLETE		1				
C10	213459-4	O RING 32		1				
025	266396-1	FLATHEAD SQUARENECKBOLT M8X2		1				
026	266026-4	TAPPING SCREW BIND CT 4X12		2				
027	347123-6	COVER PLATE		1				
028	251518-6	+ PAN HEAD SCREW M6		1				
029	262007-6	RUBBER RING 8		1				
030	233264-3	COMPRESSION SPRING 5		1				
031	344844-1	SHAFT LOCK		1				
032	211236-8	BALL BEARING 6002DDW		1				
033	267164-5	FLAT WASHER 15		1				
034	240003-4	FAN 80		1				
035	516818-4	ARMATURE ASS'Y 220V		1				
D10		INC. 32-34,36,37						
036	681630-2	INSULATION WASHER		1				
037	211066-7	BALL BEARING 6200LLB		1				
038	417114-2	BAFFLE PLATE		1				
039	596208-7	FIELD ASS'Y 220V		1				
C10	654020-2	RING TERMINAL		2				
C20	654502-4	CONNECTOR P-2		2				
040	266044-2	TAPPING SCREW 5X60		2				
041	144285-9	GRIP 36 COMPLETE		1				
042	417117-6	LOCK-OFF BUTTON		1				
043	233284-7	COMPRESSION SPRING 5		1				

Artículo	Código	Descripción	Interc	Cantidad	N/O	Opción 1	Opción 2	Notas
044	417115-0	SWITCH LEVER		1				
045	651984-1	SWITCH TG71B-2		1				
046	665865-3	POWER SUPPLY CORD 1.0-2-2.5		1				
047	682564-2	CORD GUARD		1				
048	687124-5	STRAIN RELIEF		1				
049	266326-2	TAPPING SCREW 4X18		2				
050	151848-4	MOTOR HOUSING COMPLETE		1				
C10	643653-8	BRUSH HOLDER 6.5-13.5		2				
051	266326-2	TAPPING SCREW 4X18		5				
052	852Y38-9	HS0600 NAME PLATE		1				
053	911273-9	PAN HEAD SCREW M5X50		4				
054	181044-0	CARBON BRUSH CB-153		1				
055	643650-4	BRUSH HOLDER CAP 6.5-13.5		2				
056	417118-4	HANDLE COVER		1				
057	265798-8	THUMB SCREW M6X14		1				
058	942151-2	SPRING WASHER 6		1				
059	941151-9	FLAT WASHER 6		1				
060	144253-2	DEPTH GUIDE COMPLETE		1				
061	347124-4	PLATE		1				
062	251212-0	+ FLAT HEAD SCREW M5X13		2				
063	912202-5	COUNTERSUNK HEAD SCREW M5X8		2				
064	347134-1	BASE		1				
065	256351-1	SHOULDER PIN 6-7		1				
066	347122-8	ANGULAR GUIDE		1				
067	252014-7	HEX. LOCK NUT M6-10		1				
068	251528-3	+ PAN HEAD SCREW M6		1				
069	265798-8	THUMB SCREW M6X14		1				
070	233376-2	COMPRESSION SPRING 8		1				
071	319528-0	ANGULAR PLATE		1				
072	941201-0	FLAT WASHER 8		1				
073	251520-9	HEX. BOLT M8X20		1				
074	272253-3	LEVER 56		1				
075	257953-6	BOW STOP RING E-12		1				
076	912212-2	COUNTERSUNK HEAD SCREW M5X12		5				
077	266208-8	H.S.SET SCREW(CUP POINT)M6X8		2				
078	645190-8	NOISE SUPPRESSOR		1				
A01	164367-1	GUIDE RULE		1				
A02	410047-0	WRENCH HOLDER 5.6		1				
A03	B-12859	TCT SAW BLADE 270X18TX30		1				
A04	783204-6	HEX. WRENCH 6		1				
A05	198263-1	DUST NOZZLE SET		1				