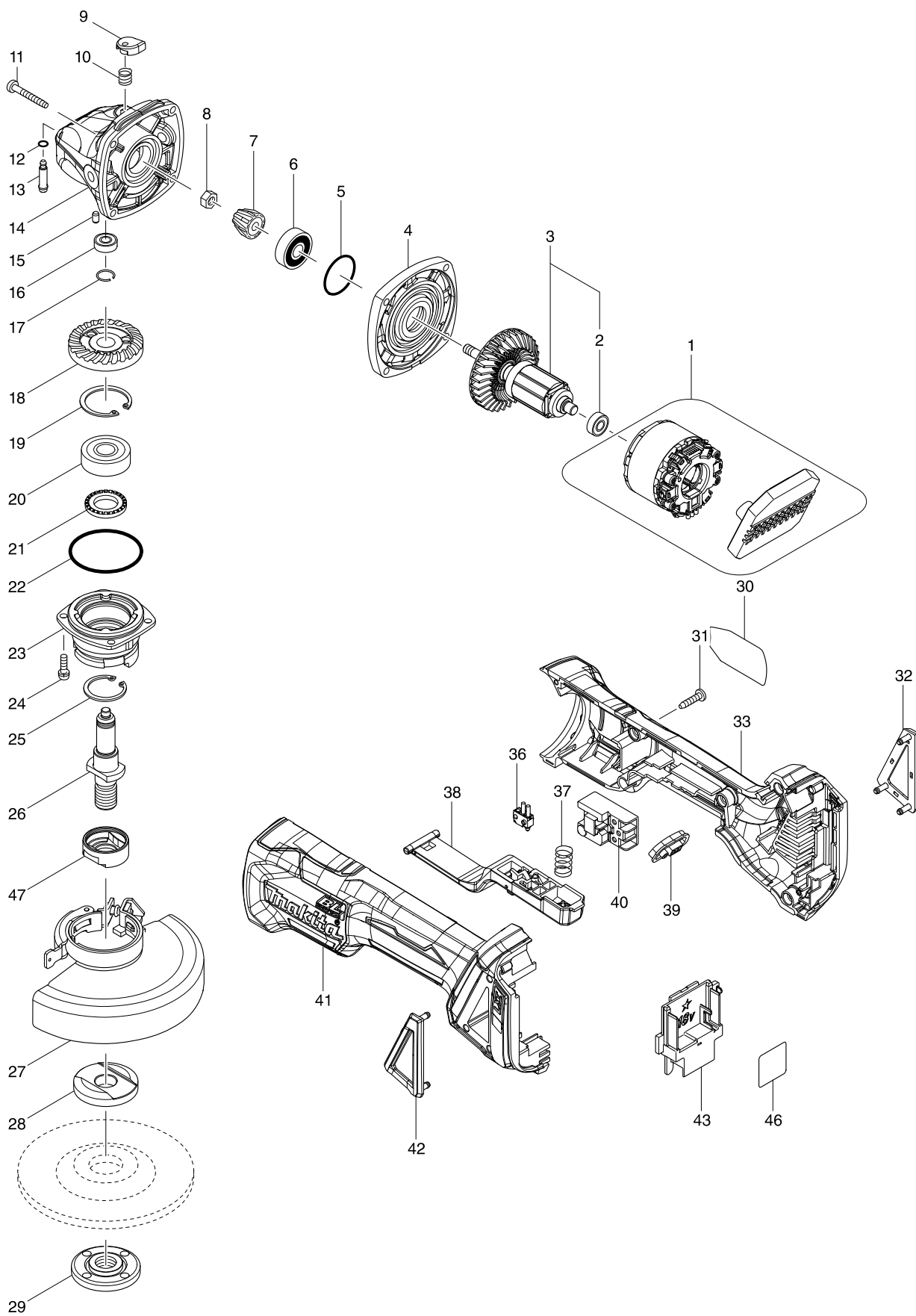


Modelo DGA458 115MM CORDLESS ANGLE GRINDER



Artículo	Código	Descripción	Interc	Cantida	N/O	Opción 1	Opción 2	Notas
001	629203-3	STATOR COMPLETE		1				
002	210034-7	RODAMIENTO 607LLB PARA 9554NB		1	*			
002-1	210169-4	BALL BEARING 607LLB	<	1				
003	519378-5	ROTOR ASSY		1	*			
D10		INC. 2			*			
003-1	510329-1	ROTOR ASSY	<	1				
D10		INC. 2						
004	319214-3	GEAR HOUSING COVER		1				
005	213445-5	JUNTA TORICA 26 MT952		1				
006	210042-8	RODAMIENTO BOLAS 629LLB		1				
007	227541-3	CORONA HELICOIDAL 9554NB		1				
008	252186-8	TUERCA HEXAGONAL M6 9554NB		1				
009	417771-6	BOTON BLOQUEO MT952		1				
010	233072-2	MUELLE DE BLOQUEO 8 PARA 9541		1				
011	266361-0	TORNILLO M4X30 PARA 9554NB		4				
012	213960-9	JUNTA TORICA 5 PARA 9554NB		1				
013	256546-6	SHOULDER PIN 4		1				
014	319213-5	GEAR HOUSING		1				
015	263002-9	FIJADOR 4*		1				
016	210033-9	RODAMIENTO BOLAS 696ZZ		1				
017	233950-6	ANILLO MUELLE 11 GA4530		1				
018	227641-9	SPIRAL BEVEL GEAR 37		1				
019	962151-6	GRUPILLA R-32* BO6010		1				
020	211129-9	RODAMIENTO 6201DDW		1				
021	262153-5	FIELTRO 16 GA7050		1				
022	213622-9	JUNTA TORICA 45 PARA 9554NB		1				
023	319399-5	BEARING BOX		1				
024	911121-2	TORNILLO M4X14*		4				
025	962105-3	GRUPILLA R-26*		1				
026	326672-6	SPINDLE		1				
027	123144-0	PROTECTOR 115 CPL GA5040		1				
C10	213009-5	JUNTA TORICA 4 9561C		1				
C20	265180-1	TORNILLO M5X16 GA4530		1				
028	224447-6	INNER FLANGE 42B		1				
029	224554-5	TUERCA DISCO 14-45 /9541 ***		1				
030	852A15-7	DGA458 NAME PLATE		1				
031	266326-2	TORNILLO M4X18		5				
032	455450-8	DUST COVER R		1				
033	183A52-3	MOTOR HOUSING SET		1				
C10	263005-3	FIJADOR 6*		2				
D10		INC. 41						
036	632E12-1	SWITCH UNIT		1				
037	234357-9	COMPRESSION SPRING 11		1				
038	142976-6	SWITCH LEVER COMPLETE		1				
039	142901-7	INDICATOR PANEL COMPLETE		1				
040	650734-1	SWITCH TG73BDS-2		1				
041	183A52-3	MOTOR HOUSING SET		1				
C10	263005-3	FIJADOR 6*		2				

Artículo	Código	Descripción	Interc	Cantida	N/O	Opción 1	Opción 2	Notas
D10		INC. 33						
042	455449-3	DUST COVER L		1				
043	643899-6	TERMINAL BATERIA BCV02		1				
046	852A20-4	DGA458 SERIAL NO. LABEL		1				
047	310514-4	LEAD FLANGE		1				
A01	A-80640	DISCO DESBARBAR 115 WA36N INOX		1				
A02	158237-4	GRIP 36 COMPLETE		1				
A03	782423-1	LLAVE DE PIVOTES 35 BGA452		1				
A04B	***DC18RC	DC18RC FAST CHARGER		1				
D10		COMPO-PARTS						
A04C	***DC18RC	DC18RC FAST CHARGER		1				
D10		COMPO-PARTS						
A04D	***DC18RC	DC18RC FAST CHARGER		1				
D10		COMPO-PARTS						
A05B	197265-4	BATTERY BL1840B SET		2				
A05C	194204-5	BATERIA BL1830 18V LITIO		2	*			
A05D	197280-8	BATTERY BL1850B SET		2				
A05-1C	197600-6	BATTERY BL1830B SET	<	2				
A06B	450128-8	BATTERY COVER		1				
A06C	450128-8	BATTERY COVER		1				
A06D	450128-8	BATTERY COVER		1				
A07B	821551-8	MALETIN MAKPAC TIPO 3		1				
C10	453974-8	LATCH		4				
A07C	821551-8	MALETIN MAKPAC TIPO 3		1				
C10	453974-8	LATCH		4				
A07D	821551-8	MALETIN MAKPAC TIPO 3		1				
C10	453974-8	LATCH		4				
A08B	838175-3	INNER TRAY		1				
A08C	838175-3	INNER TRAY		1				
A08D	838175-3	INNER TRAY		1				
A09B	808S04-8	DGA458RMJ INDICATION LABEL		1	*			
A09C	808S00-6	DGA458RFJ INDICATION LABEL		1	*			
A09D	808S08-0	DGA458RTJ INDICATION LABEL		1	*			
A09-1B	810M92-7	DGA458RMJ INDICATION LABEL	O	1				
A09-1C	810M89-6	DGA458RFJ INDICATION LABEL	O	1				
A09-1D	810M95-1	DGA458RTJ INDICATION LABEL	O	1				
A10B	808S05-6	DGA458RMJ PLASTIC CASE LABEL		2	*			
A10C	808S01-4	DGA458RFJ PLASTIC CASE LABEL		2	*			
A10D	808S09-8	DGA458RTJ PLASTIC CASE LABEL		2	*			
A10-1B	810M93-5	DGA458RMJ PLASTIC CASE LABEL	X	2				
A10-1C	810M90-1	DGA458RFJ PLASTIC CASE LABEL	X	2				
A10-1D	810M96-9	DGA458RTJ PLASTIC CASE LABEL	X	2				