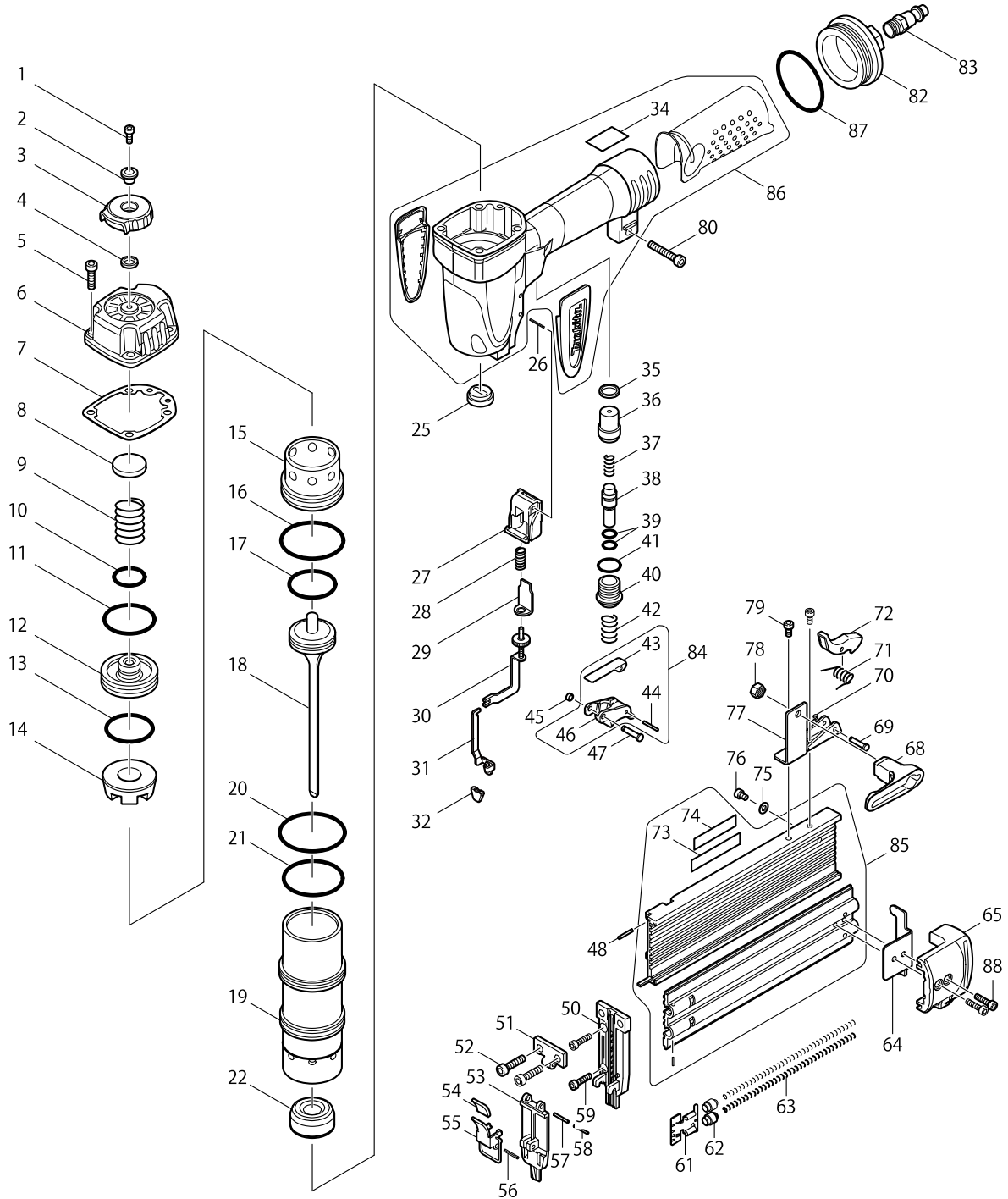


# Modelo AF505N PNEUMATIC BRAD NAILER



Artículo	Código	Descripción	Interc	Cantida	N/O	Opción 1	Opción 2	Notas
001	HY00000001	HEX.SOCKET HEAD BOLT M4X10		1				
002	HY00000002	SLEEVE4		1				
003	HY00000003	EXHAUST COVER		1				
004	HY00000004	RUBBER WASHER 7		1				
005	HY00000005	HEX.SOCKET HEAD BOLT M5X20		4				
006	HY00000006	TOP CAP		1				
007	HY00000007	TOP CAP GASKET		1				
008	HY00000008	CUSHION V		1				
009	HY00000009	COMPRESSION SPRING 7		1				
010	HY00000010	O-RING 12		1				
011	HY00000011	O-RING 33		1				
012	HY00000012	HEAD VALVE		1				
013	HY00000013	O-RING 29		1				
014	HY00000014	CUSHION P		1				
015	HY00000015	CYLINDER SEPARATER		1				
016	HY00000016	O-RING 46		1				
017	HY00000017	O-RING 24		1				
018	HY00000018	DRIVER COMPLETE		1				
019	HY00000019	CYLINDER		1				
020	HY00000020	O-RING 36		2				
021	HY00000021	O-RING 31		1				
022	HY00000022	CUSHION F		1				
025	HY00000023	FRONT SEAL		1				
026	HY00000024	SPRING PIN 3-26		1				
027	HY00000025	HOLDER		1				
028	HY00000026	COMPRESSION SPRING 5		1				
029	HY00000027	STOPPER		1				
030	HY00000028	CONTACTARM COMPLETE		1				
031	HY00000377	CONTACT TOP		1				
032	HY00000378	NOSE ADAPTER		1				
034	HY00000032	CAUTION LABEL		1				
035	HY00000033	RUBBER RING 8		1				
036	HY00000034	TRIGGER VALVE GUIDE		1				
037	HY00000035	COMPRESSION SPRING 4		1				
038	HY00000036	TRIGGER VALVE STEM		1				
039	HY00000037	O-RING 3		2				
040	HY00000038	TRIGGER VALVE CASE		1				
041	HY00000039	O-RING 11		1				
042	HY00000040	COMPRESSION SPRING 10		1				
043	HY00000041	IDLER		1				
044	HY00000042	SPRING PIN 2.5-17		1				
045	HY00000043	RUBBER RING 2		1				
046	HY00000044	TRIGGER		1				
047	HY00000045	PIN 3		1				
048	HY00000046	PIN 2		2				
050	HY00000047	DRIVER GUIDE		1				
051	HY00000048	PLATE		1				
052	HY00000049	HEX.SOCKET HEAD BOLT M5X22		2				

**Modelo AF505N PNEUMATIC BRAD NAILER**

Artículo	Código	Descripción	Interc	Cantida	N/O	Opción 1	Opción 2	Notas
053	HY00000050	DOOR		1				
054	HY00000051	CAP		1				
055	HY00000052	LEVER COMPLETE		1				
056	HY00000053	SPRING PIN 2.5-16		1				
057	HY00000054	SPRING PIN 2.5-18		1				
058	HY00000055	SPRING PIN 1.5-18		1				
059	HY00000056	HEX.SOCKET HEAD BOLT M4X16		4				
061	HY00000057	PUSHER		1				
062	HY00000058	PIN 7		2				
063	HY00000059	COMPRESSION SPRING 6		2				
064	HY00000060	MAGAZINE PLATE		1				
065	HY00000061	SLIDE DOOR COVER		1				
068	HY00000062	HOOK		1				
069	HY00000063	PIN 3		1				
070	HY00000064	STOP RING (EXT) E-2.5		1				
071	HY00000065	TORSION SPRING		1				
072	HY00000066	LOCK LEVER		1				
075	HY00000070	WASHER		1				
076	HY00000071	HEX.SOCKET HEAD BOLT M4X6		1				
077	HY00000072	JOINT		1				
078	HY00000073	HEX.LOCK NUT M5		1				
079	HY00000074	HEX.SOCKET HEAD BOLT M4X8		2				
080	HY00000075	HEX.SOCKET HEAD BOLT M5X30		1				
082	HY00000077	INLET CAP		1				
083	HY00000081	ONE TOUCH JOINT		1				
084	HY00000083	TRIGGER COMPLETE (43 44 46)		1				
D10		INC. 43,44,46						
A02	195246-2	SAFETY GOGGLE		1				