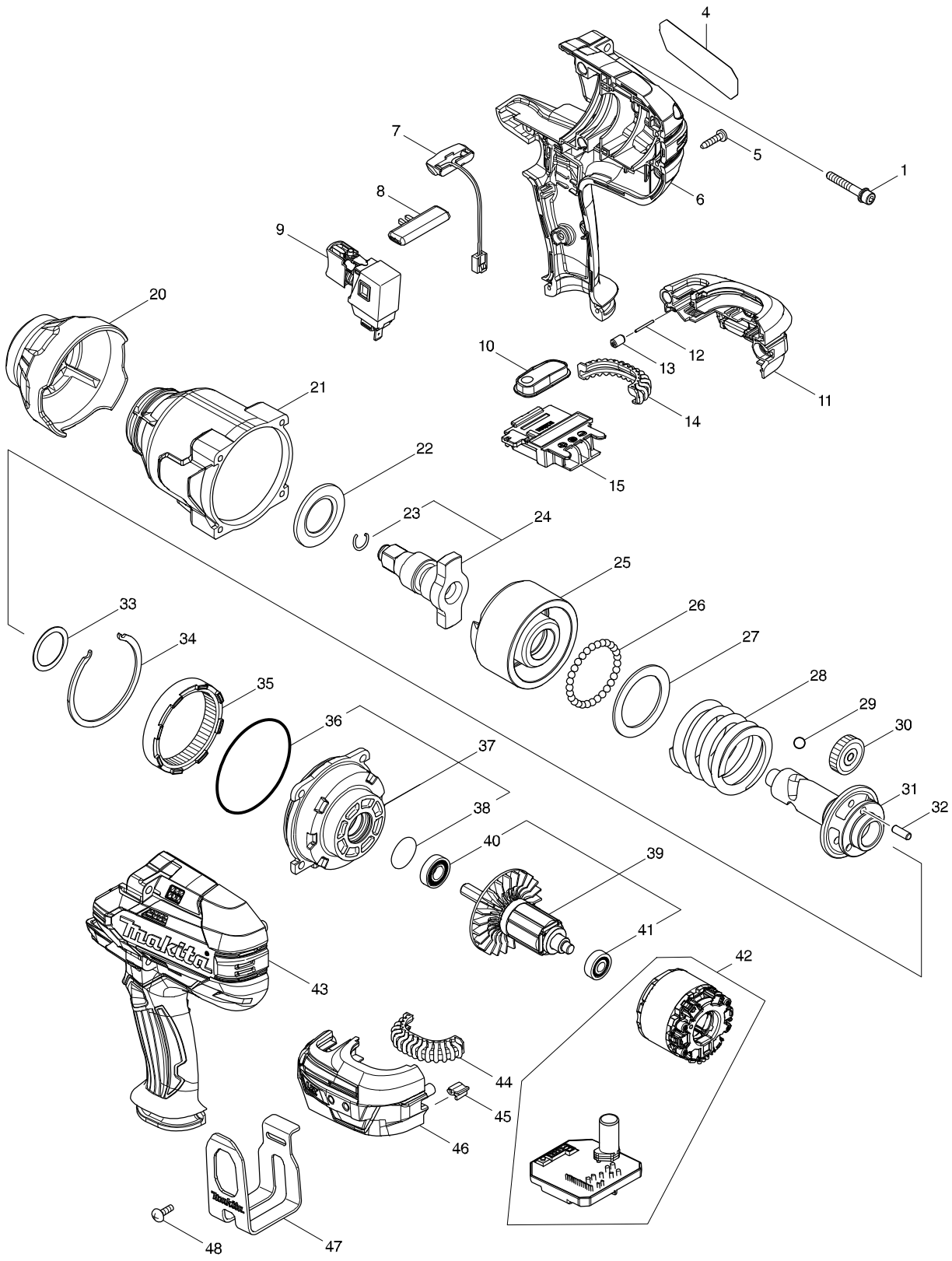


# Model No. DTW1002 CORDLESS IMPACT WRENCH



## Model : DTW1002 CORDLESS IMPACT WRENCH

| Item  | Sub | Parts No. | Parts Description                   | Qty |
|-------|-----|-----------|-------------------------------------|-----|
| 1     |     | 251476-6  | H.S.H.BOLT M5X35 WITH WR            | 4   |
| 4     |     | 851K57-8  | DTW1002 NAME PLATE                  | 1   |
| 5     |     | 266326-2  | TAPPING SCREW 4X18                  | 9   |
| 6     |     | 183C08-8  | HOUSING SET INC. 43                 | 1   |
| 7     |     | 620351-1  | LED CIRCUIT                         | 1   |
| 8     |     | 456268-0  | F/R CHANGE LEVER                    | 1   |
| 9     |     | 143416-7  | SWITCH COMPLETE                     | 1   |
| 10    |     | 143417-5  | SWITCH PLATE COMPLETE               | 1   |
| 11    |     | 183C12-7  | BATTERY HOUSING SET                 | 1   |
| 11    | C10 | 263005-3  | RUBBER PIN 6 INC. 46                | 2   |
| 12    |     | 268284-8  | PIN 1.5                             | 1   |
| 13    |     | 263036-2  | RUBBER PIN 5                        | 1   |
| 14    |     | 424773-5  | CUSHION RUBBER                      | 1   |
| 15    |     | 643899-6  | TERMINAL                            | 1   |
| 20    |     | 424775-1  | BUMPER                              | 1   |
| 21    |     | 143411-7  | HAMMER CASE COMPLETE                | 1   |
| 22    |     | 346948-5  | WASHER 25                           | 1   |
| 23    |     | 231907-1  | RING SPRING 10                      | 1   |
| 023-1 |     | 232323-0  | RING SPRING 10                      | 1   |
| 24    |     | 135717-7  | ANVIL W ASS'Y INC. 23               | 1   |
| 024-1 |     | 135717-7  | ANVIL W ASS'Y INC. 23               | 1   |
| 024-2 |     | 135804-2  | ANVIL W ASS'Y INC. 23               | 1   |
| 25    |     | 326613-2  | HAMMER                              | 1   |
| 26    |     | 216002-8  | STEEL BALL 4.8                      | 29  |
| 27    |     | 267493-6  | FLAT WASHER 38                      | 1   |
| 28    |     | 234383-8  | COMPRESSION SPRING 38               | 1   |
| 29    |     | 216009-4  | STEEL BALL 7.1                      | 2   |
| 30    |     | 227391-6  | SPUR GEAR 24                        | 3   |
| 31    |     | 326611-6  | SPINDLE                             | 1   |
| 32    |     | 268079-9  | PIN 5                               | 3   |
| 33    |     | 267494-4  | FLAT WASHER 25                      | 1   |
| 34    |     | 346947-7  | RETAINER                            | 1   |
| 35    |     | 227392-4  | INTERNAL SPUR GEAR 54               | 1   |
| 36    |     | 213720-9  | O RING 67                           | 1   |
| 37    |     | 135718-5  | INTERNAL GEAR CASE ASS'Y INC. 36,38 | 1   |
| 38    |     | 213961-7  | O RING 22                           | 1   |
| 39    |     | 519384-0  | ROTOR ASS'Y INC. 40,41              | 1   |
| 40    |     | 210069-8  | BALL BEARING 6900DDW                | 1   |
| 41    |     | 211022-7  | BALL BEARING 607ZZ                  | 1   |
| 42    |     | 629170-2  | STATOR COMPLETE                     | 1   |
| 43    |     | 183C08-8  | HOUSING SET INC. 6                  | 1   |
| 44    |     | 424773-5  | CUSHION RUBBER                      | 1   |
| 45    |     | 424517-3  | CUSHION                             | 1   |

|    |     |          |                      |   |
|----|-----|----------|----------------------|---|
| 46 |     | 183C12-7 | BATTERY HOUSING SET  | 1 |
| 46 | C10 | 263005-3 | RUBBER PIN 6 INC. 11 | 2 |
| 47 |     | 346949-3 | HOOK                 | 1 |
| 48 |     | 251314-2 | SCREW M4X12          | 2 |