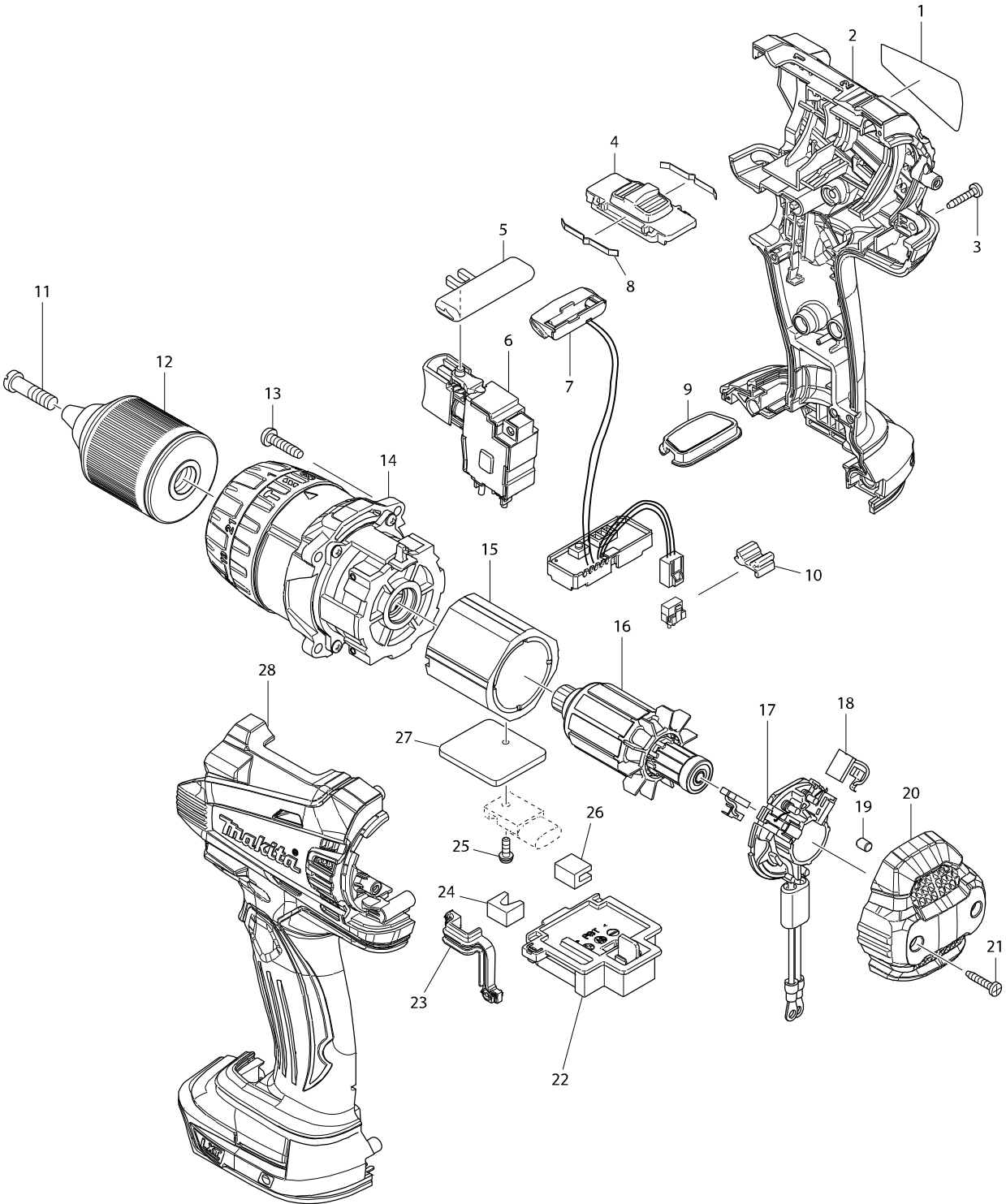


Modelo DHP458 TALADRO PERCUTOR BAT.



Artículo	Código	Descripción	Interc	Cantida	N/O	Opción 1	Opción 2	Notas
001	814Y76-9	DHP458 NAME PLATE		1				
002	187430-3	SET CARCASA MOTOR BHP/BDF448		1				
C10	263005-3	FIJADOR 6*		2				
C20	252126-6	HEX. LOCKING NUT M4-7		2				
D10		INC. 28						
003	266130-9	TORNILLO PT3X16		7				
004	126100-9	PALANCA CAMBIO BHP448/BDF448		1				
C10	233438-6	MUELLE COMPRESION 4 BDF442		2				
005	419250-0	PALANCA CAMBIO REVER.BDF441		1				
006	650724-4	SWITCH TG573FSB-3		1				
007	620138-1	CIRCUITO LUMINOSO PARA BDF448		1				
008	232220-0	MUELLE BALLESTA PARA 6319D		2				
009	140963-9	PLACA INTERRUPTOR BTD134		1				
010	424476-1	GUARDAPOLVO BHR242		1				
011	251468-5	TORNILLO IDQUI M6X22* MT064		1				
012	766015-4	MANDRIL AUTOM.S13 BHP/BDF448		1	*			
012-1	763248-2	KEYLESS DRILL CHUCK 13	<	1				
013	265995-6	TORNILLO RP 4X18 BGA452		4				
014H	126099-8	ENGRANAJE COMPLETO PARA BHP448		1	*			
014I	126099-8	ENGRANAJE COMPLETO PARA BHP448		1	*			
014J	126099-8	ENGRANAJE COMPLETO PARA BHP448		1	*			
014K	126099-8	ENGRANAJE COMPLETO PARA BHP448		1	*			
014L	126099-8	ENGRANAJE COMPLETO PARA BHP448		1	*			
014M	126099-8	ENGRANAJE COMPLETO PARA BHP448		1	*			
014N	126099-8	ENGRANAJE COMPLETO PARA BHP448		1	*			
014-1H	126448-9	GEAR ASSEMBLY	<	1				
014-1I	126448-9	GEAR ASSEMBLY	<	1				
014-1J	126448-9	GEAR ASSEMBLY	<	1				
014-1K	126448-9	GEAR ASSEMBLY	<	1				
014-1L	126448-9	GEAR ASSEMBLY	<	1				
014-1M	126448-9	GEAR ASSEMBLY	<	1				
014-1N	126448-9	GEAR ASSEMBLY	<	1				
014-1O	126448-9	GEAR ASSEMBLY		1				
014-1P	126448-9	GEAR ASSEMBLY		1				
015	638989-8	UNIDAD CONEXION BHP448/BDF448		1				
016	619301-1	INDUCIDO BDF458		1				
017	638991-1	PORTAESCOBILLAS BHP448/BDF448		1				
C10	688172-7	FILTRO DE LINEA BFR440		1				
018	194427-5	ESCOBILLAS CB-440		1				
019	263032-0	BULON GOMA 4 BTD130F		2				
020	453394-6	TAPA TRASERA BHP448/BDF448		1				
021	266130-9	TORNILLO PT3X16		2				
022	644808-8	TERMINAL		1				
023	424430-5	SELLADOR POLVO BTD134		1				
024	423422-1	ESPONJA A BTD134		1				
025	911013-5	TORNILLO PH M3X10 HR160DWH*		1				
026	423423-9	ESPONJA B BTD134		1				
027	689176-2	DISIPADOR CALOR BHP448/BDF448		1				

Artículo	Código	Descripción	Interc	Cantida	N/O	Opción 1	Opción 2	Notas
028	187430-3	SET CARCASA MOTOR BHP/BDF448		1				
C10	263005-3	FIJADOR 6*		2				
C20	252126-6	HEX. LOCKING NUT M4-7		2				
D10		INC. 2						
A01H	126131-8	GRIP ASSEMBLY		1	*			
C10	154935-8	GRIP 36 COMPLETE		1	*			
C20	266750-9	SQUARE BOLT M8X100		1	*			
C30	346566-9	GRIP SPRING 60		1	*			
C40	453584-1	GRIP BASE 60		1	*			
C50	265785-7	TORNILLO MARIPOSA KP0800		1	*			
C60	931202-6	TUERCA HEXAGONAL M5*		1	*			
A01I	126131-8	GRIP ASSEMBLY		1	*			
C10	154935-8	GRIP 36 COMPLETE		1	*			
C20	266750-9	SQUARE BOLT M8X100		1	*			
C30	346566-9	GRIP SPRING 60		1	*			
C40	453584-1	GRIP BASE 60		1	*			
C50	265785-7	TORNILLO MARIPOSA KP0800		1	*			
C60	931202-6	TUERCA HEXAGONAL M5*		1	*			
A01J	126131-8	GRIP ASSEMBLY		1	*			
C10	154935-8	GRIP 36 COMPLETE		1	*			
C20	266750-9	SQUARE BOLT M8X100		1	*			
C30	346566-9	GRIP SPRING 60		1	*			
C40	453584-1	GRIP BASE 60		1	*			
C50	265785-7	TORNILLO MARIPOSA KP0800		1	*			
C60	931202-6	TUERCA HEXAGONAL M5*		1	*			
A01K	126131-8	GRIP ASSEMBLY		1	*			
C10	154935-8	GRIP 36 COMPLETE		1	*			
C20	266750-9	SQUARE BOLT M8X100		1	*			
C30	346566-9	GRIP SPRING 60		1	*			
C40	453584-1	GRIP BASE 60		1	*			
C50	265785-7	TORNILLO MARIPOSA KP0800		1	*			
C60	931202-6	TUERCA HEXAGONAL M5*		1	*			
A01L	126131-8	GRIP ASSEMBLY		1	*			
C10	154935-8	GRIP 36 COMPLETE		1	*			
C20	266750-9	SQUARE BOLT M8X100		1	*			
C30	346566-9	GRIP SPRING 60		1	*			
C40	453584-1	GRIP BASE 60		1	*			
C50	265785-7	TORNILLO MARIPOSA KP0800		1	*			
C60	931202-6	TUERCA HEXAGONAL M5*		1	*			
A01M	126131-8	GRIP ASSEMBLY		1	*			
C10	154935-8	GRIP 36 COMPLETE		1	*			
C20	266750-9	SQUARE BOLT M8X100		1	*			
C30	346566-9	GRIP SPRING 60		1	*			
C40	453584-1	GRIP BASE 60		1	*			
C50	265785-7	TORNILLO MARIPOSA KP0800		1	*			
C60	931202-6	TUERCA HEXAGONAL M5*		1	*			
A01N	126131-8	GRIP ASSEMBLY		1	*			
C10	154935-8	GRIP 36 COMPLETE		1	*			

Artículo	Código	Descripción	Interc	Cantida	N/O	Opción 1	Opción 2	Notas
C20	266750-9	SQUARE BOLT M8X100		1	*			
C30	346566-9	GRIP SPRING 60		1	*			
C40	453584-1	GRIP BASE 60		1	*			
C50	265785-7	TORNILLO MARIPOSA KP0800		1	*			
C60	931202-6	TUERCA HEXAGONAL M5*		1	*			
A01-1H	123257-7	GRIP ASSEMBLY	<	1				
C10	154935-8	GRIP 36 COMPLETE		1				
C20	266899-5	SQUARE BOLT M8X140		1				
C30	346566-9	GRIP SPRING 60		1				
C40	455189-3	GRIP BASE 60		1				
C50	265785-7	TORNILLO MARIPOSA KP0800		1				
C60	931202-6	TUERCA HEXAGONAL M5*		1				
A01-1I	123257-7	GRIP ASSEMBLY	<	1				
C10	154935-8	GRIP 36 COMPLETE		1				
C20	266899-5	SQUARE BOLT M8X140		1				
C30	346566-9	GRIP SPRING 60		1				
C40	455189-3	GRIP BASE 60		1				
C50	265785-7	TORNILLO MARIPOSA KP0800		1				
C60	931202-6	TUERCA HEXAGONAL M5*		1				
A01-1J	123257-7	GRIP ASSEMBLY	<	1				
C10	154935-8	GRIP 36 COMPLETE		1				
C20	266899-5	SQUARE BOLT M8X140		1				
C30	346566-9	GRIP SPRING 60		1				
C40	455189-3	GRIP BASE 60		1				
C50	265785-7	TORNILLO MARIPOSA KP0800		1				
C60	931202-6	TUERCA HEXAGONAL M5*		1				
A01-1K	123257-7	GRIP ASSEMBLY	<	1				
C10	154935-8	GRIP 36 COMPLETE		1				
C20	266899-5	SQUARE BOLT M8X140		1				
C30	346566-9	GRIP SPRING 60		1				
C40	455189-3	GRIP BASE 60		1				
C50	265785-7	TORNILLO MARIPOSA KP0800		1				
C60	931202-6	TUERCA HEXAGONAL M5*		1				
A01-1L	123257-7	GRIP ASSEMBLY	<	1				
C10	154935-8	GRIP 36 COMPLETE		1				
C20	266899-5	SQUARE BOLT M8X140		1				
C30	346566-9	GRIP SPRING 60		1				
C40	455189-3	GRIP BASE 60		1				
C50	265785-7	TORNILLO MARIPOSA KP0800		1				
C60	931202-6	TUERCA HEXAGONAL M5*		1				
A01-1M	123257-7	GRIP ASSEMBLY	<	1				
C10	154935-8	GRIP 36 COMPLETE		1				
C20	266899-5	SQUARE BOLT M8X140		1				
C30	346566-9	GRIP SPRING 60		1				
C40	455189-3	GRIP BASE 60		1				
C50	265785-7	TORNILLO MARIPOSA KP0800		1				
C60	931202-6	TUERCA HEXAGONAL M5*		1				
A01-1N	123257-7	GRIP ASSEMBLY	<	1				

Artículo	Código	Descripción	Interc	Cantida	N/O	Opción 1	Opción 2	Notas
C10	154935-8	GRIP 36 COMPLETE		1				
C20	266899-5	SQUARE BOLT M8X140		1				
C30	346566-9	GRIP SPRING 60		1				
C40	455189-3	GRIP BASE 60		1				
C50	265785-7	TORNILLO MARIPOSA KP0800		1				
C60	931202-6	TUERCA HEXAGONAL M5*		1				
A01-1O	123257-7	GRIP ASSEMBLY		1				
C10	154935-8	GRIP 36 COMPLETE		1				
C20	266899-5	SQUARE BOLT M8X140		1				
C30	346566-9	GRIP SPRING 60		1				
C40	455189-3	GRIP BASE 60		1				
C50	265785-7	TORNILLO MARIPOSA KP0800		1				
C60	931202-6	TUERCA HEXAGONAL M5*		1				
A01-1P	123257-7	GRIP ASSEMBLY		1				
C10	154935-8	GRIP 36 COMPLETE		1				
C20	266899-5	SQUARE BOLT M8X140		1				
C30	346566-9	GRIP SPRING 60		1				
C40	455189-3	GRIP BASE 60		1				
C50	265785-7	TORNILLO MARIPOSA KP0800		1				
C60	931202-6	TUERCA HEXAGONAL M5*		1				
A02	251314-2	TORNILLO M4X12*		2				
A03	346317-0	GANCHO BTD134		1				
A04	452947-8	PORTAPUNTAS BDF441		1				
A05	784637-8	PUNTA + - 2-45		2				
A06	122576-8	TOPE DE PROFUNDIDAD COMPLETO		1				
A07H	***DC18RC	DC18RC FAST CHARGER		1				
A07J	***DC18RC	DC18RC FAST CHARGER		1				
A07K	***DC18RC	DC18RC FAST CHARGER		1				
A07L	821550-0	MALETIN MAKPAC TIPO 2		1				
C10	453974-8	LATCH		4				
A07M	***DC18RC	DC18RC FAST CHARGER		1				
A07N	***DC18RC	DC18RC FAST CHARGER		1				
A07O	***DC18RC	DC18RC FAST CHARGER		1				
A07P	***DC18RC	DC18RC FAST CHARGER		1				
A08H	194204-5	BATERIA BL1830 18V LITIO		2	*			
A08J	194204-5	BATERIA BL1830 18V LITIO		3	*			
A08K	194204-5	BATERIA BL1830 18V LITIO		2	*			
A08L	837679-2	INNER TRAY		1	*			
A08M	196399-0	BATERIA BL1840 18V		2	*			
A08N	196399-0	BATERIA BL1840 18V		2	*			
A08O	196399-0	BATERIA BL1840 18V		3	*			
A08-1H	194204-5	BATERIA BL1830 18V LITIO	O	2	*			
A08-1J	194204-5	BATERIA BL1830 18V LITIO	O	3	*			
A08-1K	194204-5	BATERIA BL1830 18V LITIO	O	2	*			
A08-1L	837916-4	INNER TRAY	<	1				
A08-1M	196399-0	BATERIA BL1840 18V	O	2	*			
A08-1N	196399-0	BATERIA BL1840 18V	O	2	*			
A08-1O	196399-0	BATERIA BL1840 18V	O	3	*			

Artículo	Código	Descripción	Interc	Cantida	N/O	Opción 1	Opción 2	Notas
A08-2H	197600-6	BATTERY BL1830B SET	<	2				
A08-2J	197600-6	BATTERY BL1830B SET	<	3				
A08-2K	197600-6	BATTERY BL1830B SET	<	2				
A08-2M	197265-4	BATTERY BL1840B SET	<	2				
A08-2N	197265-4	BATTERY BL1840B SET	<	2				
A08-2O	197265-4	BATTERY BL1840B SET	<	3				
A08-2P	197280-8	BATTERY BL1850B SET		2				
A09H	450128-8	BATTERY COVER		1				
A09J	450128-8	BATTERY COVER		2				
A09K	450128-8	BATTERY COVER		1				
A09L	802J35-5	DHP458ZJ INDICATION LABEL		1				
A09M	450128-8	BATTERY COVER		1				
A09N	450128-8	BATTERY COVER		1				
A09O	450128-8	BATTERY COVER		2				
A09P	450128-8	BATTERY COVER		1				
A10H	821524-1	MALETIN PVC PARA BHP458		1				
C10	162302-3	LATCH		2				
C20	325809-2	MANGO HM0871C		1				
C30	451749-9	HANDLE		1				
C40	453473-0	PLASTIC CASE LID		1				
A10J	821524-1	MALETIN PVC PARA BHP458		1				
C10	162302-3	LATCH		2				
C20	325809-2	MANGO HM0871C		1				
C30	451749-9	HANDLE		1				
C40	453473-0	PLASTIC CASE LID		1				
A10K	821550-0	MALETIN MAKPAC TIPO 2		1				
C10	453974-8	LATCH		4				
A10L	802J36-3	DHP458ZJ PLASTIC CASE LABEL		2				
A10M	821524-1	MALETIN PVC PARA BHP458		1				
C10	162302-3	LATCH		2				
C20	325809-2	MANGO HM0871C		1				
C30	451749-9	HANDLE		1				
C40	453473-0	PLASTIC CASE LID		1				
A10N	821550-0	MALETIN MAKPAC TIPO 2		1				
C10	453974-8	LATCH		4				
A10O	821550-0	MALETIN MAKPAC TIPO 2		1				
C10	453974-8	LATCH		4				
A10P	821550-0	MALETIN MAKPAC TIPO 2		1				
C10	453974-8	LATCH		4				
A11H	802J57-5	DHP458RFE PLASTIC CASE LABEL		2	*			
A11J	802J61-4	DHP458RFE3 PLASTIC CASE LABEL		2	*			
A11K	837679-2	INNER TRAY		1	*			
A11M	802J42-8	DHP458RME PLASTIC CASE LABEL		2	*			
A11N	837679-2	INNER TRAY		1	*			
A11-1H	802J59-1	DHP458RFE PLASTIC CASE LABEL	<	2				
A11-1J	810L75-1	DHP458RFE3 PLASTIC CASE LABEL	<	2				
A11-1K	837916-4	INNER TRAY	<	1				
A11-1M	802J41-0	DHP458RME PLASTIC CASE LABEL	<	2				

Artículo	Código	Descripción	Interc	Cantida	N/O	Opción 1	Opción 2	Notas
A11-1N	837916-4	INNER TRAY	<	1				
A11-1O	837916-4	INNER TRAY		1				
A11-1P	837916-4	INNER TRAY		1				
A12K	802J33-9	DHP458RFJ INDICATION LABEL		1				
A12N	802J44-4	DHP458RMJ INDICATION LABEL		1	*			
A12O	805W04-3	DHP458RM3J INDICATION LABEL		1				
A12-1N	806W42-8	DHP458RMJ INDICATION LABEL	<	1				
A12-1P	808W31-9	DHP458RTJ INDICATION LABEL		1				
A13K	802J34-7	DHP458RFJ PLASTIC CASE LABEL		2				
A13N	802J45-2	DHP458RMJ PLASTIC CASE LABEL		2				
A13O	805W05-1	DHP458RM3J PLASTIC CASE LABEL		2				
A13P	808W32-7	DHP458RTJ PLASTIC CASE LABEL		2				