

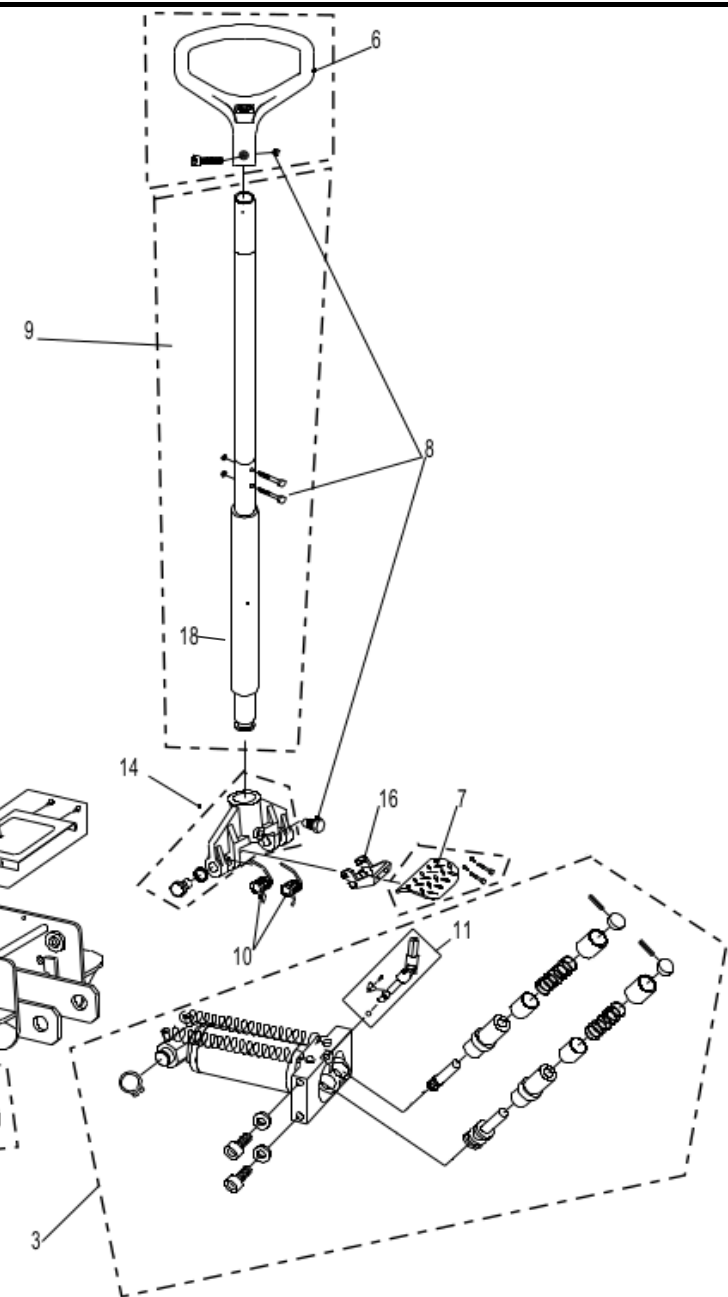
Nº	CODE	DESCRIPTION
1	BH11500-01	1.5T-2T-3T REAR WHEEL - 1 UNIT
2	BH13000-02	3T FRONT WHEEL - 1 UNIT
3	BH13000-03V1	3T JACK PUMP VERSION 1
	BH13000-03V2	3T JACK PUMP VERSION 2
4	BH11500-04	1.5T-2T&3T RUBBER SADDLE
5	BH11500-05	1.5T-2T&3T METALLIC SADDLE
6	BH11500-06	1.5T-2T&3T COMPOSITE HANDLE
7	BH11500-07	1.5T-2T-3T FOOT PEDAL
8	BH11500-08	HANDLE SCREWS SET
9	BH11500-09	1.5T-2T & 3T METALLIC SWIVELING HANDLE
10	BH11500-10	1.5T-2T & 3T YOKE PAIR OF SPRING
11	BH13000-11	3T CARDAN SET KIT
14	BH11500-14	YOKE WITH BAR SCREW WASHER SPRING AND RETAINING SCREW
15	BH11500-15	TOOL TRAY
16	BH11500-16	PEDAL SUPPORT
17	BH13000-17	STICKER SET
18	BH13000-18	FOAM
19	BHGN-5M6	GREASING NIPPLE



BAHCO
 CE UK CA EAC
 MAX 3000 Kg
 P/N: BH13000
 Hydraulic Trolley Jack
 Hydraulischer Wagenheber
 Cric hydrolique
 Sollevatore idraulico
 S/N: TH30P1564180001
 M-DATE: 2018/07
 Made in China

SNA EUROPE UK
 Moorhead way
 Bramley - Rotherham
 S66 1YY - United Kingdom

SNA Europe SAS
 Allée Rosa Luxembourg
 95610 Eragny sur Oise
 France



BH13000



19

SNA Europe does not cover the causes over negligence in tool use and/or repair, inadequate care, or abnormal usage conditions. Follow the instructions for proper use, safety, maintenance and servicing given by SNA Europe