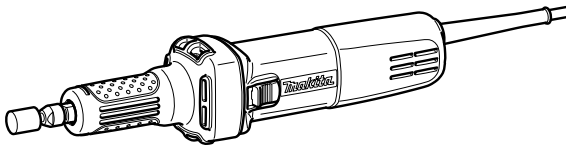




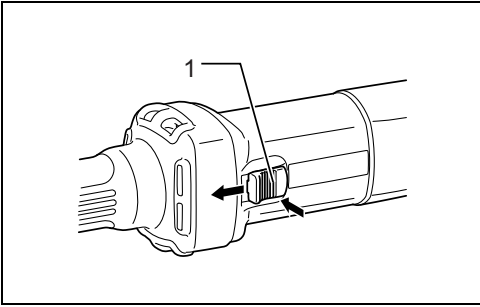
GB	Die Grinder	Instruction manual
F	Meuleuse droite	Manuel d'instructions
D	Geradschleifer	Betriebsanleitung
I	Smerigliatrice diritta	Istruzioni per l'uso
NL	Stempelslijpmachine	Gebruiksaanwijzing
E	Amoladora recta	Manual de instrucciones
P	Rectificadora recta	Manual de instruções
DK	Ligesliber	Brugsanvisning
GR	Ευθυλειαντήρας	Οδηγίες χρήσης

GD0601



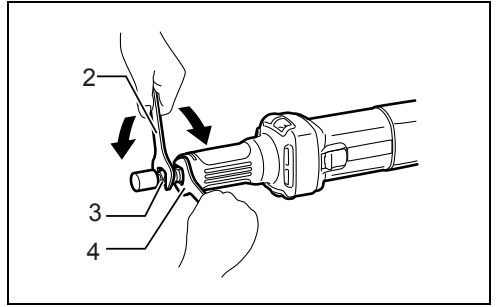
007679





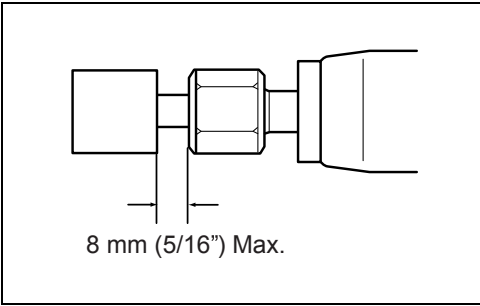
1

007680



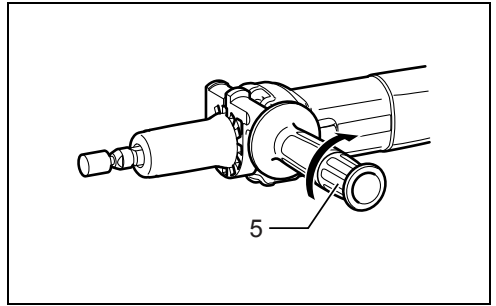
2

007681



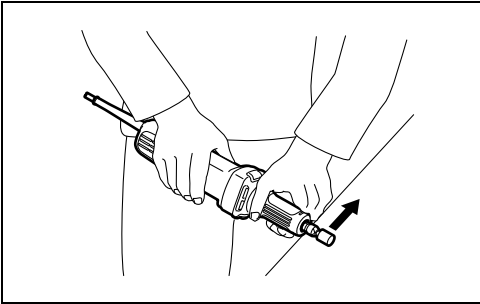
3

003495



4

007683



5

007682

ENGLISH (Original Instructions)

Explanation of general view

- | | | |
|-----------------|---------------|----------------|
| 1. Slide switch | 3. Collet nut | 5. Side handle |
| 2. Wrench 13 | 4. Wrench 13 | |

SPECIFICATIONS

Model	GD0601
Max. collet capacity	6 mm or 6.35 mm (1/4")
Max. wheel point diameter	38 mm
No load speed (n ₀)/Rated speed (n)	25,000 min ⁻¹
Overall length	359 mm
Net weight	1.7 kg
Safety class	□/II

- Due to our continuing program of research and development, the specifications herein are subject to change without notice.
- Specifications may differ from country to country.
- Weight according to EPTA-Procedure 01/2003

Intended use ENE050-1


The tool is intended for grinding ferrous materials or deburring castings.

Power supply ENF002-2

The tool should be connected only to a power supply of the same voltage as indicated on the nameplate, and can only be operated on single-phase AC supply. They are double-insulated and can, therefore, also be used from sockets without earth wire.

General Power Tool Safety Warnings

GEA010-1

 **WARNING** Read all safety warnings and all instructions. Failure to follow the warnings and instructions may result in electric shock, fire and/or serious injury.

Save all warnings and instructions for future reference.

DIE GRINDER SAFETY WARNINGS

GEB034-7

Safety Warnings Common for Grinding Operation:

1. **This power tool is intended to function as a grinder. Read all safety warnings, instructions, illustrations and specifications provided with this power tool.** Failure to follow all instructions listed below may result in electric shock, fire and/or serious injury.
2. **Operations such as sanding, wire brushing, polishing or cutting-off are not recommended to be performed with this power tool.** Operations for which the power tool was not designed may create a hazard and cause personal injury.
3. **Do not use accessories which are not specifically designed and recommended by the tool manufacturer.** Just because the accessory can be

- attached to your power tool, it does not assure safe operation.
4. **The rated speed of the accessory must be at least equal to the maximum speed marked on the power tool.** Accessories running faster than their rated speed can break and fly apart.
 5. **The outside diameter and the thickness of your accessory must be within the capacity rating of your power tool.** Incorrectly sized accessories cannot be adequately guarded or controlled.
 6. **Do not use a damaged accessory. Before each use inspect the accessory such as abrasive wheels for chips and cracks. If power tool or accessory is dropped, inspect for damage or install an undamaged accessory. After inspecting and installing an accessory, position yourself and bystanders away from the plane of the rotating accessory and run the power tool at maximum no-load speed for one minute.** Damaged accessories will normally break apart during this test time.
 7. **Wear personal protective equipment. Depending on application, use face shield, safety goggles or safety glasses. As appropriate, wear dust mask, hearing protectors, gloves and workshop apron capable of stopping small abrasive or workpiece fragments.** The eye protection must be capable of stopping flying debris generated by various operations. The dust mask or respirator must be capable of filtering particles generated by your operation. Prolonged exposure to high intensity noise may cause hearing loss.
 8. **Keep bystanders a safe distance away from work area. Anyone entering the work area must wear personal protective equipment.** Fragments of workpiece or of a broken accessory may fly away and cause injury beyond immediate area of operation.
 9. **Hold the power tool by insulated gripping surfaces only, when performing an operation where the cutting accessory may contact hidden wiring or its own cord.** Cutting accessory contacting a "live" wire

may make exposed metal parts of the power tool “live” and could give the operator an electric shock.

10. **Position the cord clear of the spinning accessory.** If you lose control, the cord may be cut or snagged and your hand or arm may be pulled into the spinning accessory.
11. **Never lay the power tool down until the accessory has come to a complete stop.** The spinning accessory may grab the surface and pull the power tool out of your control.
12. **Do not run the power tool while carrying it at your side.** Accidental contact with the spinning accessory could snag your clothing, pulling the accessory into your body.
13. **Regularly clean the power tool's air vents.** The motor's fan will draw the dust inside the housing and excessive accumulation of powdered metal may cause electrical hazards.
14. **Do not operate the power tool near flammable materials.** Sparks could ignite these materials.
15. **Do not use accessories that require liquid coolants.** Using water or other liquid coolants may result in electrocution or shock.
16. **Kickback and Related Warnings**

Kickback is a sudden reaction to a pinched or snagged rotating wheel, backing pad, brush or any other accessory. Pinching or snagging causes rapid stalling of the rotating accessory which in turn causes the uncontrolled power tool to be forced in the direction opposite of the accessory's rotation at the point of the binding.

For example, if an abrasive wheel is snagged or pinched by the workpiece, the edge of the wheel that is entering into the pinch point can dig into the surface of the material causing the wheel to climb out or kick out. The wheel may either jump toward or away from the operator, depending on direction of the wheel's movement at the point of pinching. Abrasive wheels may also break under these conditions. Kickback is the result of power tool misuse and/or incorrect operating procedures or conditions and can be avoided by taking proper precautions as given below.

- a) **Maintain a firm grip on the power tool and position your body and arm to allow you to resist kickback forces. Always use auxiliary handle, if provided, for maximum control over kickback or torque reaction during start-up.** The operator can control torque reactions or kickback forces, if proper precautions are taken.
- b) **Never place your hand near the rotating accessory.** Accessory may kickback over your hand.
- c) **Do not position your body in the area where power tool will move if kickback occurs.** Kickback will propel the tool in direction opposite to the wheel's movement at the point of snagging.
- d) **Use special care when working corners, sharp edges etc. Avoid bouncing and snagging the accessory.** Corners, sharp edges or bouncing have a tendency to snag the rotating accessory and cause loss of control or kickback.
- e) **Do not attach a saw chain woodcarving blade or toothed saw blade.** Such blades create frequent kickback and loss of control.

17. **Safety Warnings Specific for Grinding:**
 - a) **Use only wheel types that are recommended for your power tool.**
 - b) **Wheels must be used only for recommended applications. For example: do not grind with the side of cut-off wheel.** Abrasive cut-off wheels are intended for peripheral grinding, side forces applied to these wheels may cause them to shatter.
 - c) **Do not use worn down wheels from larger power tools.** Wheel intended for larger power tool is not suitable for the higher speed of a smaller tool and may burst.

Additional Safety Warnings:

18. **Make sure the wheel is not contacting the workpiece before the switch is turned on.**
19. **Before using the tool on an actual workpiece, let it run for a while. Watch for vibration or wobbling that could indicate poor installation or a poorly balanced wheel.**
20. **Use the specified surface of the wheel to perform the grinding.**
21. **Watch out for flying sparks. Hold the tool so that sparks fly away from you and other persons or flammable materials.**
22. **Do not leave the tool running. Operate the tool only when hand-held.**
23. **Do not touch the workpiece immediately after operation; it may be extremely hot and could burn your skin.**
24. **Always be sure that the tool is switched off and unplugged or that the battery cartridge is removed before carrying out any work on the tool.**
25. **Observe the instructions of the manufacturer for correct mounting and use of wheels. Handle and store wheels with care.**
26. **Check that the workpiece is properly supported.**
27. **If working place is extremely hot and humid, or badly polluted by conductive dust, use a short-circuit breaker (30 mA) to assure operator safety.**
28. **Do not use the tool on any materials containing asbestos.**
29. **This tool has not been waterproofed, so do not use water on the workpiece surface.**
30. **Ensure that ventilation openings are kept clear when working in dusty conditions. If it should become necessary to clear dust, first disconnect the tool from the mains supply (use non metallic objects) and avoid damaging internal parts.**
31. **Always be sure you have a firm footing. Be sure no one is below when using the tool in high locations.**

SAVE THESE INSTRUCTIONS.

⚠ WARNING:

DO NOT let comfort or familiarity with product (gained from repeated use) replace strict adherence to safety rules for the subject product. **MISUSE** or failure to follow the safety rules stated in this instruction manual may cause serious personal injury.

FUNCTIONAL DESCRIPTION

CAUTION:

- Always be sure that the tool is switched off and unplugged before adjusting or checking function on the tool.

Switch action (Fig. 1)

CAUTION:

- Before plugging in the tool, always check to see that the slide switch actuates properly and returns to the "OFF" position when the rear of the slide switch is depressed.

To start the tool, slide the slide switch toward the "I (ON)" position. For continuous operation, press the front of the slide switch to lock it.

To stop the tool, press the rear of the slide switch, then slide it toward the "O (OFF)" position.

ASSEMBLY

CAUTION:

- Always be sure that the tool is switched off and unplugged before carrying out any work on the tool.

Installing or removing wheel point (Fig. 2 & 3)

Loosen the collet nut and insert the wheel point into the collet nut. Use one wrench to hold the spindle and the other one to tighten the collet nut securely.

The wheel point should not be mounted more than 8 mm from the collet nut. Exceeding this distance could cause vibration or a broken shaft.

To remove the wheel point, follow the installation procedure in reverse.

CAUTION:

- Use the correct size collet cone for the wheel point which you intend to use.

Side handle (optional accessory) (Fig. 4)

When using the side handle, remove the rubber protector, insert the side handle on the tool barrel as far as it will go and rotate it to the desired angle. Then tighten the handle firmly by turning clockwise.

CAUTION:

- When using the tool without handle, always install the rubber protector on the tool.
- When installing the rubber protector, always push it onto the tool until the protrusion inside the rubber fits to the grooves in the tool.

OPERATION (Fig. 5)

Turn the tool on without the wheel point making any contact with the workpiece and wait until the wheel point attains full speed. Then apply the wheel point to the workpiece gently. To obtain a good finish, move the tool in the leftward direction slowly.

CAUTION:

- Apply light pressure on the tool. Excessive pressure on the tool will only cause a poor finish and overloading of the motor.

MAINTENANCE

CAUTION:

- Always be sure that the tool is switched off and unplugged before attempting to perform inspection or maintenance.
- Never use gasoline, benzine, thinner, alcohol or the like. Discoloration, deformation or cracks may result. To maintain product SAFETY and RELIABILITY, repairs, carbon brush inspection and replacement, any other maintenance or adjustment should be performed by Makita Authorized Service Centers, always using Makita replacement parts.

OPTIONAL ACCESSORIES

⚠ CAUTION:

- These accessories or attachments are recommended for use with your Makita tool specified in this manual. The use of any other accessories or attachments might present a risk of injury to persons. Only use accessory or attachment for its stated purpose.

If you need any assistance for more details regarding these accessories, ask your local Makita Service Center.

- Wheel points
- Collet cone set (3 mm, 6 mm, 1/4", 1/8")
- Wrench 13
- Side handle set

NOTE:

- Some items in the list may be included in the tool package as standard accessories. They may differ from country to country.

Noise

ENG905-1

The typical A-weighted noise level determined according to EN60745:

Sound pressure level (L_{pA}): 75 dB (A)

Uncertainty (K): 3 dB (A)

The noise level under working may exceed 80 dB (A).

Wear ear protection.

Vibration

ENG900-1

The vibration total value (tri-axial vector sum) determined according to EN60745:

Work mode: surface grinding

Vibration emission ($a_{h,SG}$): 2.5 m/s² or less

Uncertainty (K): 1.5 m/s²

ENG902-1

- The declared vibration emission value has been measured in accordance with the standard test method and may be used for comparing one tool with another.
- The declared vibration emission value may also be used in a preliminary assessment of exposure.
- The declared vibration emission value is used for main applications of the power tool. However if the power tool is used for other applications, the vibration emission value may be different.

⚠ WARNING:

- The vibration emission during actual use of the power tool can differ from the declared emission value depending on the ways in which the tool is used.
- Be sure to identify safety measures to protect the operator that are based on an estimation of exposure in the actual conditions of use (taking account of all parts

of the operating cycle such as the times when the tool is switched off and when it is running idle in addition to the trigger time).

For European countries only

ENH101-16

EC Declaration of Conformity

We Makita Corporation as the responsible manufacturer declare that the following Makita machine(s):

Designation of Machine:

Die Grinder

Model No./ Type: GD0601

are of series production and

Conforms to the following European Directives:

2006/42/EC

And are manufactured in accordance with the following standards or standardised documents:

EN60745

The technical documentation is kept by:

Makita International Europe Ltd.

Technical Department,

Michigan Drive, Tongwell,

Milton Keynes, Bucks MK15 8JD, England

30. 1. 2009



Tomoyasu Kato

Director

Makita Corporation

3-11-8, Sumiyoshi-cho,

Anjo, Aichi, 446-8502, JAPAN

- | | | |
|-----------------------------|---------------------|-------------------|
| 1. Interrupteur à glissière | 3. Écrou de mandrin | 5. Manche latéral |
| 2. Clé 13 | 4. Clé 13 | |

SPÉCIFICATIONS

Modèle	GD0601
Capacité de mandrin max.	6 mm ou 6,35 mm (1/4")
Diamètre max. de la meule sur tige	38 mm
Vitesse à vide (n ₀)/Vitesse nominale (n)	25 000 min ⁻¹
Longueur totale	359 mm
Poids net	1,7 kg
Niveau de sécurité	☐/II

- Étant donné l'évolution constante de notre programme de recherche et de développement, les spécifications contenues dans ce manuel sont sujettes à des modifications sans préavis.
- Les spécifications peuvent varier suivant les pays.
- Poids conforme à la procédure EPTA 01/2003

Utilisations

ENE050-1

L'outil est conçu pour le meulage des matériaux ferreux ou l'ébavurage des pièces moulées.

Alimentation

ENF002-2

L'outil ne doit être raccordé qu'à une alimentation de la même tension que celle qui figure sur la plaque signalétique, et il ne peut fonctionner que sur un courant secteur monophasé. Réalisé avec une double isolation, il peut de ce fait être alimenté sans mise à la terre.

Consignes de sécurité générales des outils électriques

GEA010-1

⚠ AVERTISSEMENT Veuillez lire toutes les consignes de sécurité et les instructions. Il y a un risque de choc électrique, d'incendie et/ou de blessure grave si les consignes et les instructions ne sont pas toutes respectées.

Conservez toutes les consignes et instructions pour référence ultérieure.

AVERTISSEMENTS DE SÉCURITÉ RELATIFS À LA MEULEUSE DROITE

GEB034-7

Consignes de sécurité courantes pour l'opération de meulage :

1. **Cet outil électrique est conçu pour fonctionner comme une meuleuse. Lisez tous les avertissements concernant la sécurité, les instructions, les illustrations et les caractéristiques fournis avec cet outil électrique.** Il y a un risque d'électrocution, d'incendie et/ou de blessures graves si les instructions énumérées ci-dessous ne sont pas respectées.
2. **Les opérations comme le ponçage, le brossage à brosse métallique, le polissage ou le tronçonnage sont déconseillées avec cet outil électrique.** Les opérations pour lesquelles l'outil électrique n'a pas été conçu peuvent générer un danger et occasionner des blessures.
3. **N'utilisez pas d'accessoires qui ne sont pas spécifiquement conçus et recommandés par le fabricant de l'outil.** Le simple fait que l'accessoire puisse être fixé à votre outil électrique ne signifie pas que le fonctionnement sera sécurisé.
4. **La vitesse nominale de l'accessoire doit être au moins égale à la vitesse maximale indiquée sur l'outil électrique.** Les accessoires fonctionnant plus rapidement que leur vitesse nominale risquent de se casser et de voler en éclats.
5. **Le diamètre externe et l'épaisseur de votre accessoire doivent correspondre à la puissance nominale de votre outil électrique.** Des accessoires aux dimensions inappropriées ne peuvent pas être protégés ou contrôlés correctement.
6. **N'utilisez pas d'accessoire endommagé. Avant chaque utilisation, vérifiez que les accessoires tels que les meules ne sont pas burinés ou fissurés.** En cas de chute de l'outil électrique ou d'un accessoire, assurez-vous qu'il n'est pas endommagé et remplacez-le au besoin par un accessoire en bon état. Après avoir inspecté et installé un accessoire, positionnez-vous ainsi que les spectateurs à distance du plan de rotation de l'accessoire et faites fonctionner l'outil électrique à la vitesse maximale à vide pendant une minute. Normalement, tout accessoire endommagé se brisera au cours de ce temps d'essai.
7. **Portez un équipement de protection corporelle. En fonction du type de travail à effectuer, utilisez un écran facial, des lunettes étanches ou des lunettes de protection. Au besoin, portez un masque anti-poussières, des protège-tympan, des gants et un tablier d'atelier capable d'arrêter les petits fragments abrasifs ou des morceaux de la pièce à travailler.** La protection pour les yeux doit pouvoir stopper les projections de débris générées par

diverses opérations. Le masque anti-poussières ou le masque filtrant doit pouvoir filtrer les particules générées lors des travaux. L'exposition prolongée à un bruit d'intensité élevée peut entraîner la surdité.

8. **Gardez les spectateurs à une distance de sécurité de la zone de travail. Quiconque pénètre dans la zone de travail doit porter un équipement de protection corporelle.** Des fragments de pièces à travailler ou d'un accessoire cassé peuvent être projetés hors de la zone de travail immédiate et entraîner des blessures.
9. **Ne tenez l'outil électrique que par ses surfaces de poigne isolées lorsque vous effectuez une opération au cours de laquelle l'accessoire de coupe peut entrer en contact avec des fils dissimulés ou avec le cordon de l'outil.** Il est possible que le contact de l'accessoire tranchant avec un fil sous tension mette les parties métalliques exposées de l'outil sous tension, risquant ainsi de provoquer un choc électrique chez l'utilisateur.
10. **Éloignez le cordon de l'accessoire rotatif.** En cas de perte de contrôle, le cordon risque d'être coupé ou accroché et votre main ou votre bras happé(e) par l'accessoire rotatif.
11. **Ne posez jamais l'outil électrique à terre tant que l'accessoire ne s'est pas complètement arrêté.** L'accessoire rotatif peut accrocher la surface et vous risquez de perdre le contrôle de l'outil électrique.
12. **Ne faites pas tourner l'outil électrique si vous le transportez à côté de vous.** Un contact accidentel avec l'accessoire rotatif pourrait accrocher vos vêtements et attirer l'accessoire vers votre corps.
13. **Nettoyez régulièrement les aérations de l'outil électrique.** Le ventilateur du moteur tirera la poussière à l'intérieur du logement et une accumulation excessive de poudre métallique peut entraîner des chocs électriques.
14. **Ne faites pas fonctionner l'outil électrique à proximité de matériaux inflammables.** Les étincelles risquent d'enflammer ces matériaux.
15. **N'utilisez pas d'accessoires qui nécessitent des liquides de refroidissement.** L'utilisation d'eau ou de liquides de refroidissement peut entraîner une électrocution ou un choc électrique.
16. **Rebond et avertissements afférents**

Le rebond est une réaction soudaine suite à un pincement ou accrochage d'une meule en rotation, d'un patin de renfort, d'une brosse ou d'un autre accessoire. Un pincement ou un accrochage peut entraîner le calage rapide de l'accessoire rotatif, ce qui peut alors forcer l'outil électrique hors de contrôle à tourner dans la direction opposée au sens de rotation de l'accessoire, jusqu'à ce qu'ils se bloquent. Par exemple, si une meule est accrochée ou pincée par la pièce à travailler, le rebond de la meule qui entraine dans le point de pincement peut creuser dans la surface du matériau, ce qui peut faire sortir la meule. La meule risque de sauter en direction de l'opérateur ou dans la direction opposée, en fonction du sens de rotation de la meule au niveau du point de pincement. Les meules peuvent également se casser dans certaines conditions.

Le rebond est dû à une mauvaise utilisation de l'outil et/ou à des procédures ou conditions de travail

inappropriées. Il peut être évité en prenant les précautions appropriées, telles que celles indiquées ci-dessous.

- a) **Maintenez une prise ferme sur l'outil électrique et positionnez votre corps et vos bras de façon à pouvoir résister aux forces du rebond. Utilisez toujours une poignée auxiliaire, le cas échéant, pour contrôler au maximum les rebonds ou la réaction du couple au démarrage.** L'opérateur peut contrôler les réactions du couple ou les forces du rebond s'il prend les précautions nécessaires.
 - b) **Ne placez jamais la main à proximité de l'accessoire rotatif.** L'accessoire risque de rebondir sur votre main.
 - c) **Ne positionnez pas votre corps dans la zone où l'outil électrique se déplacera en cas de rebond.** Le rebond propulsera l'outil dans la direction opposée au mouvement de la meule, au point d'accrochage.
 - d) **Soyez particulièrement prudent lorsque vous travaillez dans des recoins, sur des rebords tranchants, etc. Évitez de faire rebondir ou d'accrocher l'accessoire.** Les recoins, les rebords tranchants ou les rebonds ont tendance à accrocher l'accessoire rotatif et à provoquer une perte de contrôle ou un rebond.
 - e) **Ne fixez pas une lame de sculpteur à chaîne coupante ou une lame de scie dentée.** De telles lames peuvent créer de fréquents rebonds et pertes de contrôle.
17. **Consignes de sécurité spécifiques au meulage :**
 - a) **Utilisez uniquement les types de meules recommandés pour votre outil électrique.**
 - b) **Les meules doivent être utilisées uniquement pour les applications recommandées. Par exemple : ne meulez pas avec la face latérale de la meule à tronçonner.** Les meules à tronçonner sont conçues pour un meulage périphérique, les forces latérales appliquées à ces meules peuvent les briser.
 - c) **N'utilisez pas de meules usées issues d'outils électriques plus grands.** La meule conçue pour les outils électriques plus grands ne convient pas à la vitesse plus élevée d'un outil plus petit et elle risque d'exploser.

Autres avertissements de sécurité :

18. **Assurez-vous que la meule n'entre pas en contact avec la pièce à travailler avant de mettre l'outil sous tension.**
19. **Avant d'utiliser l'outil sur la pièce elle-même, laissez-le tourner un instant. Soyez attentif à toute vibration ou sautellement pouvant indiquer que la meule n'est pas bien installée ou qu'elle est mal équilibrée.**
20. **Utilisez la face spécifiée de la meule pour meuler.**
21. **Prenez garde aux étincelles qui jaillissent. Tenez l'outil de sorte que les étincelles ne jaillissent pas vers vous, vers une autre personne présente ou vers un matériau inflammable.**
22. **N'abandonnez pas l'outil alors qu'il tourne. Ne faites fonctionner l'outil qu'une fois que vous l'avez bien en main.**
23. **Ne touchez jamais la pièce juste après l'opération ; elle peut être extrêmement chaude et vous risquez de vous brûler.**

24. **Assurez-vous toujours que l'outil est hors tension et débranché ou que la batterie est retirée avant d'effectuer toute intervention sur l'outil.**
25. **Pour installer et utiliser correctement la meule, veuillez suivre les instructions du fabricant. Manipulez les meules avec soin et rangez-les en lieu sûr.**
26. **Assurez-vous que la pièce à travailler est correctement soutenue.**
27. **Si le site de travail est extrêmement chaud et humide ou s'il y a beaucoup de poussières conductrices dans l'air, utilisez un coupe-circuit (30 mA) pour assurer votre sécurité.**
28. **N'utilisez l'outil sur aucun matériau contenant de l'amiante.**
29. **Cet outil n'étant pas étanche, n'utilisez pas d'eau sur la surface de la pièce à travailler.**
30. **Assurez-vous que les orifices de ventilation sont toujours bien dégagés lorsque vous travaillez dans des conditions poussiéreuses. Lorsqu'il devient nécessaire de retirer la poussière accumulée, commencez par débrancher l'outil de la prise secteur (utilisez un objet non métallique) et veillez à ne pas endommager les pièces internes.**
31. **Veillez à toujours avoir une bonne position d'équilibre. Assurez-vous que personne ne se trouve dessous lorsque vous utilisez l'outil en position élevée.**

CONSERVEZ CES INSTRUCTIONS.

AVERTISSEMENT :

NE vous laissez PAS tromper (au fil d'une utilisation répétée) par un sentiment d'aisance et de familiarité avec le produit, en négligeant le respect rigoureux des consignes de sécurité qui accompagnent l'outil. Une UTILISATION INCORRECTE de l'outil ou le non-respect des consignes de sécurité indiquées dans ce manuel d'instructions peuvent causer des blessures graves.

DESCRIPTION DU FONCTIONNEMENT

ATTENTION :

- Assurez-vous toujours que l'outil est éteint et débranché avant de l'ajuster ou de vérifier son fonctionnement.

Interrupteur (Fig. 1)

ATTENTION :

- Avant de brancher l'outil, vérifiez toujours que la gâchette à glissière fonctionne bien et revient en position d'arrêt lorsque vous enfoncez sa partie arrière. Pour mettre l'outil en marche, glissez l'interrupteur à glissière sur la position « I » (ON). Pour une utilisation continue, appuyez sur la partie avant de l'interrupteur à glissière pour le verrouiller. Pour arrêter l'outil, appuyez sur la partie arrière de l'interrupteur à glissière, puis glissez ce dernier vers la position « O » (ARRÊT).

ASSEMBLAGE

ATTENTION :

- Avant d'effectuer toute intervention sur l'outil, assurez-vous toujours qu'il est éteint et débranché.

Installation et retrait de la meule sur tige (Fig. 2 et 3)

Desserrez l'écrou de mandrin et insérez-y la meule sur tige. Utilisez une clé pour tenir l'axe et l'autre pour serrer fermement l'écrou de mandrin.

La tige sur meule ne doit pas être montée à plus de 8 mm de l'écrou de mandrin. L'outil risque de vibrer ou l'axe de se casser si cette distance est dépassée.

Pour retirer la meule sur tige, suivez la procédure d'installation dans l'ordre inverse.

ATTENTION :

- Utilisez un cône de mandrin dont la taille correspond à la tige sur meule que vous utiliserez.

Manche latéral (accessoire en option) (Fig. 4)

Pour utiliser le manche latéral, retirez le protecteur en caoutchouc, insérez le manche latéral à fond dans le barillet de l'outil et tournez-le jusqu'à l'angle désiré. Serrez ensuite le manche fermement en le tournant dans le sens des aiguilles d'une montre.

ATTENTION :

- Lorsque vous utilisez l'outil sans le manche, installez toujours le protecteur en caoutchouc sur l'outil.
- Pour installer le protecteur en caoutchouc, enfoncez-le toujours dans l'outil jusqu'à ce que la partie saillante qui se trouve à l'intérieur du protecteur pénètre dans les rainures de l'outil.

UTILISATION (Fig. 5)

Faites démarrer l'outil sans mettre la meule sur tige en contact avec la pièce et attendez que la meule sur tige atteigne sa pleine vitesse. Appliquez ensuite doucement la tige sur meule contre la pièce. Pour obtenir une bonne finition, déplacez lentement l'outil vers la gauche.

ATTENTION :

- Appliquez une légère pression sur l'outil. Une pression excessive sur l'outil résultera en une finition médiocre et imposera une surcharge au moteur.

MAINTENANCE

ATTENTION :

- Assurez-vous toujours que l'outil est éteint et débranché avant d'effectuer tout travail d'inspection ou de maintenance.
- N'utilisez jamais d'essence, de benzine, de diluant, d'alcool ou de produit similaire. Ces produits risquent de provoquer des décolorations, des déformations ou des fissures.

Pour maintenir la SÉCURITÉ et la FIABILITÉ du produit, les réparations, l'inspection et le remplacement des charbons, et tout autre travail d'entretien ou de réglage doivent être effectués dans un centre de service après-vente Makita agréé, exclusivement avec des pièces de rechange Makita.

ACCESSOIRES FOURNIS EN OPTION

Pour les pays d'Europe uniquement

ENH101-16

Déclaration de conformité CE

Nous, Makita Corporation, en tant que fabricant responsable, déclarons que les appareils Makita suivants :

Nom de l'appareil :

Meuleuse droite

N° du modèle / type : GD0601

sont fabriquées en série et

sont conformes aux directives européennes suivantes :

2006/42/CE

et sont produites conformément aux normes ou documents de normalisation suivants :

EN60745

La documentation technique est disponible auprès de :

Makita International Europe Ltd.

Technical Department,

Michigan Drive, Tongwell,

Milton Keynes, Bucks MK15 8JD, Angleterre

30. 1. 2009



Tomoyasu Kato

Directeur

Makita Corporation

3-11-8, Sumiyoshi-cho,

Anjo, Aichi, 446-8502, JAPAN

ATTENTION :

- Ces accessoires ou pièces complémentaires sont recommandés pour être utilisés avec l'outil Makita spécifié dans ce mode d'emploi. L'utilisation de tout autre accessoire ou pièce complémentaire peut comporter un risque de blessure. N'utilisez les accessoires ou pièces qu'aux fins auxquelles ils ont été conçus.

Pour obtenir plus de détails sur ces accessoires, contactez votre Centre de service local Makita.

- Meules sur tige
- Ensemble d'écrous de mandrin (3 mm, 6 mm, 1/4", 1/8")
- Clé 13
- Ensemble de manche latéral

REMARQUE :

- Certains éléments de la liste peuvent être inclus en tant qu'accessoires standard dans le coffret de l'outil envoyé. Ils peuvent varier suivant les pays.

Bruit ENG905-1

Les niveaux de bruit pondéré A typiques ont été mesurés selon la norme EN60745 :

Niveau de pression sonore (L_{pA}) : 75 dB (A)

Incertitude (K) : 3 dB (A)

Le niveau de bruit peut dépasser 80 dB (A) lors de l'utilisation.

Portez des protections auditives.

Vibrations ENG900-1

La valeur totale de vibration (somme du vecteur triaxial) a été déterminée selon la norme EN60745 :

Mode de fonctionnement : meulage de surface

Émission de vibrations ($a_{h,SG}$) : 2,5 m/s² ou moins

Incertitude (K) : 1,5 m/s²

ENG902-1

- La valeur de l'émission des vibrations déclarée a été mesurée conformément à la méthode de test standard et peut être utilisée afin de comparer des outils entre eux.
- La valeur de l'émission des vibrations déclarée peut également être utilisée lors d'une évaluation préliminaire de l'exposition.
- La valeur de l'émission des vibrations déclarée est utilisée pour les principales applications de l'outil électrique. Cependant, si l'outil est utilisé pour d'autres applications, la valeur de l'émission des vibrations peut être différente.

AVERTISSEMENT :

- Selon la manière dont l'outil est utilisé, il est possible que l'émission des vibrations pendant l'utilisation réelle de l'outil électrique diffère de la valeur de l'émission déclarée.
- Veuillez à identifier les mesures de sécurité destinées à protéger l'opérateur et établies à partir de l'estimation de l'exposition dans les conditions réelles d'utilisation (en prenant en compte toutes les étapes du cycle de fonctionnement, telles que les périodes de mise hors tension de l'outil, les périodes de fonctionnement au ralenti et les périodes de mise en route).

DEUTSCH (Originalanweisungen)

Erklärung der Gesamtdarstellung

- | | | |
|----------------------|----------------------|----------------|
| 1. Schiebeschalter | 3. Spannzangenmutter | 5. Seitengriff |
| 2. Gabelschlüssel 13 | 4. Gabelschlüssel 13 | |

TECHNISCHE ANGABEN

Modell	GD0601
Max. Spannzangenkapazität	6 mm oder 6,35 mm (1/4")
Max. Schleifstiftdurchmesser	38 mm
Leerlaufdrehzahl (n_0)/Nennndrehzahl (n)	25.000 min ⁻¹
Gesamtlänge	359 mm
Nettogewicht	1,7 kg
Sicherheitsklasse	□/II

- Aufgrund unserer beständigen Forschungen und Weiterentwicklungen sind Änderungen an den hier angegebenen Technischen Daten ohne Vorankündigung vorbehalten.
- Die Technischen Daten können in den einzelnen Ländern voneinander abweichen.
- Gewicht entsprechend EPTA-Verfahren 01/2003

Verwendungszweck ENE050-1

Dieses Werkzeug wurde dafür entwickelt, Eisenmaterial zu schleifen und Gussstücke zu entgraten.

Stromversorgung ENF002-2

Das Werkzeug darf nur an eine Stromversorgung mit Einphasen-Wechselstrom mit der auf dem Typenschild angegebenen Spannung angeschlossen werden. Das Werkzeug verfügt über ein doppelt isoliertes Gehäuse und kann daher auch an einer Stromversorgung ohne Schutzkontakt betrieben werden.

Allgemeine Sicherheitshinweise für Elektrowerkzeuge

GEA010-1

⚠️ WARNUNG Lesen Sie alle Sicherheitshinweise und Anweisungen sorgfältig durch. Wenn die Hinweise und Anweisungen nicht beachtet werden, besteht die Gefahr eines Stromschlags, Brands und/oder das Risiko von ernsthaften Verletzungen.

Bewahren Sie alle Hinweise und Anweisungen zur späteren Referenz gut auf.

SICHERHEITSHINWEISE ZUM GERADSCHLEIFER

GEB034-7

Allgemeine Sicherheitshinweise zum Schleifbetrieb:

1. Dieses Elektrowerkzeug ist für den Einsatz als Schleifer vorgesehen. Lesen Sie alle Sicherheitshinweise, Anweisungen, Abbildungen und Spezifikationen durch, die mit diesem Elektrowerkzeug geliefert wurden. Werden nicht alle der unten aufgeführten Anweisungen befolgt, besteht die Gefahr eines Stromschlags, Brands und/oder die Gefahr schwerer Verletzungen.
 2. Vorgänge wie Schmirgeln, Drahtbürsten, Polieren oder Abschneiden sollten mit diesem Elektrowerkzeug nicht ausgeführt werden. Bei
- Arbeiten, für die das Elektrowerkzeug nicht vorgesehen ist, kann es zu gefährlichen Situationen und zu Verletzungen kommen.
3. **Verwenden Sie nur Zubehör, das vom Hersteller des Geräts entwickelt oder vom Hersteller ausdrücklich empfohlen wurde.** Nur weil Sie ein bestimmtes Zubehör am Werkzeug befestigen können, bedeutet dies nicht, dass die Verwendung gefahrlos möglich ist.
 4. **Die Nennndrehzahl des Zubehörs muss mindestens der auf dem Elektrowerkzeug angegebenen Höchstdrehzahl entsprechen.** Zubehör, das mit einer höheren Drehzahl als der zulässigen Drehzahl betrieben wird, kann zerbersten, wobei Teile mit hoher Geschwindigkeit durch die Luft fliegen.
 5. **Außendurchmesser und Dicke von Zubehör müssen innerhalb der Nennwerte des Elektrowerkzeugs liegen.** Zubehör in unzulässiger Größe kann nicht angemessen abgedeckt oder betrieben werden.
 6. **Verwenden Sie kein beschädigtes Zubehör.** Überprüfen Sie vor jeder Verwendung das Zubehör wie beispielsweise Schleifscheiben auf Risse und sonstige Beschädigungen. Wenn das Elektrowerkzeug oder ein Zubehör zu Boden gefallen sein sollte, überprüfen Sie Werkzeug bzw. Zubehör auf Beschädigungen und tauschen Sie ggf. beschädigte Teile gegen unbeschädigte Teile aus. Halten Sie und Umstehende nach der Überprüfung und Montage des Zubehörs Abstand vom rotierenden Zubehöerteil, und lassen Sie das Elektrowerkzeug eine Minute mit maximaler Leerlaufdrehzahl laufen. Möglicherweise beschädigtes Zubehör würde üblicherweise innerhalb dieser Testzeit zerbersten.
 7. **Tragen Sie eine persönliche Schutzausrüstung.** Tragen Sie je nach Arbeitsaufgabe einen Gesichtsschild oder eine Schutzbrille. Tragen Sie soweit erforderlich Staubmaske, Gehörschutz, Schutzhandschuhe oder Arbeitsschürze, die kleine Schleif- und Materialpartikel von Ihnen

fernhält. Der Augenschutz muss umherfliegende Fremdkörper abhalten können, die bei verschiedenen Arbeiten auftreten können. Die Staub- oder Atemschutzmaske muss Partikel herausfiltern können, die bei verschiedenen Arbeiten entstehen. Lange und intensive Lärmeinwirkung kann zu Gehörverlust führen.

8. Achten Sie darauf, dass Zuschauer den Sicherheitsabstand zum Arbeitsbereich einhalten. Jeder, der den Arbeitsbereich betritt, muss eine persönliche Schutzausrüstung tragen. Splitter des Werkstücks oder eines geborstenen Zubehörteils können umherfliegen und auch außerhalb des eigentlichen Arbeitsbereichs noch zu Verletzungen führen.

9. Halten Sie das Elektrowerkzeug an den isolierten Griffflächen, wenn Sie unter Bedingungen arbeiten, bei denen das Schneidwerkzeug nicht sichtbare Stromkabel oder das eigene Kabel berühren kann. Bei Kontakt des Werkzeugs mit einem stromführenden Kabel wird der Strom an die Metallteile des Elektrowerkzeugs und dadurch an den Bediener weitergeleitet, und der Bediener erleidet einen Stromschlag.

10. Halten Sie das Netzkabel von rotierendem Zubehör fern. Falls Sie die Kontrolle über das Elektrowerkzeug verlieren, kann das Netzkabel durchtrennt oder erfasst werden, oder Ihre Hand oder Ihr Arm kann in das rotierende Zubehör geraten.

11. Legen Sie das Elektrowerkzeug erst dann ab, nachdem rotierendes Zubehör völlig zum Stillstand gekommen ist. Das rotierende Zubehör könnte Kontakt zur Auflagefläche erhalten, sodass Sie die Kontrolle über das Elektrowerkzeug verlieren.

12. Lassen Sie das Elektrowerkzeug nicht in Betrieb, während Sie es tragen. Ihre Kleidung kann durch zufälligen Kontakt mit dem sich drehenden Zubehör erfasst werden, und das Zubehör kann sich in Ihren Körper bohren.

13. Reinigen Sie die Lüftungsschlitze des Elektrowerkzeugs regelmäßig. Der Motorventilator zieht Staub in das Gehäuse hinein, wobei eine übermäßige Ansammlung von Metallspänen Gefahren durch elektrischen Strom verursachen kann.

14. Betreiben Sie das Elektrowerkzeug nicht in der Nähe brennbarer Materialien. Diese Materialien können durch Funken entzündet werden.

15. Verwenden Sie keine Zubehörteile, die flüssige Kühlmittel benötigen. Bei Verwendung von Wasser oder anderen flüssigen Kühlmitteln können Sie einen Stromschlag erleiden.

16. Rückschlag und zugehörige Warnhinweise
Ein Rückschlag ist eine plötzliche Reaktion einer verklemmten oder verfangenen rotierenden Schleifscheibe, Stützscheibe, der Bürste oder anderen Zubehörs. Durch Verklemmen oder Verfangen tritt ein plötzlicher Stillstand des rotierenden Zubehörs ein, sodass das Elektrowerkzeug am Punkt des Festfahrens in die der Rotationsrichtung des Zubehörs entgegengesetzte Richtung gezwungen wird.

Verklemmt sich beispielsweise eine Schleifscheibe im Werkstück, kann die Kante, die in den Punkt des Verklemmens eindringt, in die Oberfläche des

Materials eindringen, sodass die Scheibe ausschlägt. Die Scheibe springt entweder in Richtung des Bedieners oder vom Bediener weg, dies hängt von der Richtung der Scheibenbewegung am Punkt der Blockade ab. Unter diesen Umständen können Schleifscheiben auch zerbersten.

Rückschläge werden durch eine falsche Handhabung des Elektrowerkzeugs und/oder unsachgemäße Bedienschritte oder -umstände verursacht und können durch die unten aufgeführten Maßnahmen vermieden werden.

a) Halten Sie das Elektrowerkzeug stets mit beiden Händen gut fest, und halten Sie Ihren Körper und Ihre Arme so, dass Sie Rückschläge abfangen können. Verwenden Sie, falls vorhanden, immer den Zusatzgriff, um eine größtmögliche Kontrolle über Rückschlagkräfte oder Reaktionsmomente beim Anlaufen zu haben. Bei geeigneten Vorsichtsmaßnahmen können Rückschlag- und Reaktionskräfte sicher von der Bedienperson beherrscht werden.

b) Halten Sie Ihre Hand niemals in der Nähe des rotierenden Zubehörs. Das Zubehör könnte über Ihre Hand zurückschlagen.

c) Meiden Sie mit Ihrem Körper den Bereich, in den sich das Elektrowerkzeug bei einem Rückschlag bewegen würde. Das Elektrowerkzeug wird am Punkt der Blockade in die der Rotationsrichtung der Scheibe entgegengesetzte Richtung zurückgeschlagen.

d) Arbeiten Sie im Bereich von Ecken, scharfen Kanten usw. besonders vorsichtig. Verhindern Sie, dass das Zubehör vom Werkstück zurückprallt und verklemt. Das rotierende Zubehör neigt bei Ecken, scharfen Kanten oder beim Abprallen dazu, sich zu verklemmen. Dies verursacht einen Verlust der Kontrolle oder Rückschlag.

e) Verwenden Sie keine Kettensäge-Holzschneidblätter oder sonstige gezähnte Sägeblätter. Derartige Blätter verursachen häufig ein Rückschlagen und führen zum Verlust der Kontrolle.

17. Spezielle Sicherheitshinweise zum Schleifbetrieb:

a) Verwenden Sie ausschließlich Scheibentypen, die für Ihr Elektrowerkzeug empfohlen werden.

b) Schleifscheiben dürfen ausschließlich für die vorgesehenen Arbeiten verwendet werden. Beispiel: Schleifen Sie nie mit der Seitenfläche einer Trennscheibe. Trennscheiben sind zum Materialabtrag mit der Kante der Scheibe bestimmt. Bei seitlicher Krafteinwirkung auf diese Scheiben können sie zerbrechen.

c) Verwenden Sie keine abgenutzten Schleifscheiben von größeren Elektrowerkzeugen. Schleifscheiben für größere Elektrowerkzeuge sind nicht für die höheren Drehzahlen von kleineren Elektrowerkzeugen ausgelegt und können bersten.

Zusätzliche Sicherheitshinweise:

18. Stellen Sie vor dem Einschalten des Werkzeugs sicher, dass die Scheibe das Werkstück nicht berührt.

19. Bevor Sie das Werkzeug auf das zu bearbeitende Werkstück ansetzen, lassen Sie es einige Zeit ohne Last laufen. Achten Sie auf Vibrationen und Schlägen; beide Anzeichen können auf eine

- schlecht ausgewuchtete oder nicht fachgerecht eingebaute Schleifscheibe hindeuten.
20. Verwenden Sie für Schleifarbeiten ausschließlich die dafür vorgesehene Fläche der Schleifscheibe.
 21. Achten Sie auf Funkenflug. Halten Sie das Werkzeug so, dass Sie, umstehende Personen oder leicht entzündliche Materialien nicht von Funken getroffen werden.
 22. Lassen Sie das Werkzeug nicht unbeaufsichtigt eingeschaltet. Das Werkzeug darf nur dann in Betrieb sein, wenn es festgehalten wird.
 23. Vermeiden Sie eine Berührung des Werkstücks unmittelbar nach der Bearbeitung, da es dann noch sehr heiß sein und somit Hautverbrennungen verursachen kann.
 24. Schalten Sie vor dem Ausführen von Arbeiten am Werkzeug das Werkzeug stets aus und ziehen Sie den Netzstecker bzw. entfernen Sie den Akkublock.
 25. Befolgen Sie die Anweisungen des Herstellers zur korrekten Montage und Verwendung von Trennscheiben. Behandeln und lagern Sie Schleifscheiben mit Sorgfalt.
 26. Vergewissern Sie sich, dass das Werkstück sicher eingespannt ist.
 27. Falls der Arbeitsplatz sehr heiß, feucht oder durch leitfähigen Staub stark verschmutzt ist, verwenden Sie zum Schutz des Bedieners einen Kurzschlusschalter (30 mA).
 28. Verwenden Sie dieses Werkzeug nicht zum Bearbeiten von asbesthaltigen Materialien.
 29. Dieses Werkzeug ist nicht wassergeschützt. Verwenden Sie daher kein Wasser auf der Werkstückoberfläche.
 30. Achten Sie beim Arbeiten unter staubigen Bedingungen darauf, dass die Ventilationsöffnungen frei bleiben. Sollte die Beseitigung von Staub notwendig sein, trennen Sie das Werkzeug zuerst vom Stromnetz (nichtmetallische Gegenstände verwenden), und achten Sie darauf, dass Bauteile im Inneren des Werkzeugs nicht beschädigt werden.
 31. Achten Sie jederzeit auf einen festen Stand. Achten Sie bei Verwendung des Werkzeugs an erhöhten Standorten darauf, dass sich keine Personen unter dem Standort aufhalten.

BEWAHREN SIE DIESE ANLEITUNG SORGFÄLTIG AUF.

WARNUNG:

Lassen Sie sich NIE durch Bequemlichkeit oder (aus fortwährendem Gebrauch gewonnener) Vertrautheit mit dem Werkzeug dazu verleiten, die Sicherheitsregeln für das Werkzeug zu missachten. Bei MISSBRÄUCLICHER Verwendung des Werkzeugs oder Missachtung der in diesem Handbuch enthaltenen Sicherheitshinweise kann es zu schweren Verletzungen kommen.

FUNKTIONSBESCHREIBUNG

ACHTUNG:

- Schalten Sie das Werkzeug stets aus und ziehen Sie den Stecker, bevor Sie Einstellungen oder eine Funktionsprüfung des Werkzeugs vornehmen.

Bedienung des Schalters (Abb. 1)

ACHTUNG:

- Stellen Sie vor dem Anschließen des Werkzeugs an das Stromnetz sicher, dass sich der Schiebeschalter korrekt bedienen lässt und in Stellung „OFF“ (AUS) zurückkehrt, sobald das hintere Ende des Schiebeschalters nach unten gedrückt wird.

Um das Werkzeug einzuschalten, schieben Sie den Schiebeschalter in Stellung „I (ON)“. Zum Dauerbetrieb muss das vordere Ende des Schiebeschalters gedrückt werden, um den Schalter zu arretieren.

Zum Ausschalten des Werkzeugs drücken Sie das hintere Ende des Schiebeschalters, und schieben Sie diesen dann in Stellung „O (OFF)“.

MONTAGE

ACHTUNG:

- Schalten Sie das Werkzeug stets aus und ziehen Sie den Stecker, bevor Sie irgendwelche Arbeiten am Werkzeug durchführen.

Schleifstift einspannen und entfernen (Abb. 2 und 3)

Die Spannzangenmutter lösen, und den Schleifstift in die Spannzangenmutter einführen. Die Spindel mit einem Schraubenschlüssel arretieren, und die Spannzangenmutter mit dem anderen Schraubenschlüssel festziehen.

Der Schleifstift darf nicht mehr als 8 mm über die Spannzangenmutter überstehen. Eine Überschreitung dieses Maßes kann zu Vibrationen oder Schaftbruch führen.

Das Entfernen des Schleifstifts erfolgt in umgekehrter Reihenfolge wie das Einspannen.

ACHTUNG:

- Verwenden Sie einen passenden Spannzangenkonus für den zu benutzenden Schleifstift.

Seitengriff (optionales Zubehör) (Abb. 4)

Wenn Sie den Seitengriff verwenden, entfernen Sie den Gummischutz, führen Sie den Seitengriff so weit wie möglich in die Werkzeugtrommel ein und drehen Sie ihn dann in den gewünschten Winkel. Ziehen Sie anschließend den Griff im Uhrzeigersinn fest.

ACHTUNG:

- Ohne Griff darf das Werkzeug nur mit dem Gummischutz verwendet werden.
- Wenn Sie den Gummischutz anbringen, drücken Sie ihn immer auf das Werkzeug, bis der Vorsprung im Gummi auf die Kerben am Werkzeug greift.

BETRIEB (Abb. 5)

Werkzeug einschalten, ohne dass der Schleifstift das Werkstück berührt, und warten, bis er die volle Drehzahl

erreicht. Dann den Schleifstift sanft an das Werkstück ansetzen. Um einen sauberen Schliff zu erhalten, das Werkzeug langsam nach links bewegen.

ACHTUNG:

- Üben Sie nur leichten Druck auf das Werkzeug aus. Übermäßiger Druck auf das Werkzeug verursacht ein schlechtes Schliffbild und eine Überlastung des Motors.

WARTUNG

ACHTUNG:

- Schalten Sie das Werkzeug stets aus und ziehen Sie den Stecker, bevor Sie Prüfungen oder Wartungsarbeiten am Werkzeug durchführen.
- Verwenden Sie zum Reinigen niemals Kraftstoffe, Benzin, Verdünner, Alkohol oder ähnliches. Dies kann zu Verfärbungen, Verformungen oder Rissen führen.

Um die SICHERHEIT und ZUVERLÄSSIGKEIT des Produkts zu gewährleisten, dürfen Reparaturen, Prüfung und Ersatz von Kohlebürsten sowie alle anderen Wartungsarbeiten und Einstellungen nur durch von Makita autorisierte Service Center und ausschließlich mit original Makita-Ersatzteilen durchgeführt werden.

SONDERZUBEHÖR

⚠ ACHTUNG:

- Für das in diesem Handbuch beschriebene Makita-Gerät werden die folgenden Zubehör- und Zusatzteile empfohlen. Bei Verwendung anderer Zubehör- und Zusatzteile kann es zu Verletzungen kommen. Verwenden Sie Zubehör- und Zusatzteile nur für den vorgesehenen Zweck.

Informationen zu diesem Zubehör erhalten Sie von Ihrem Makita-Servicecenter.

- Schleifstifte
- Spannzangenkonussatz (3 mm, 6 mm, 1/4", 1/8")
- Schlüssel 13
- Seitengriffsatz

HINWEIS:

- Einige der in der Liste aufgeführten Elemente sind dem Werkzeugpaket als Standardzubehör beigelegt. Diese können in den einzelnen Ländern voneinander abweichen.

Schallpegel

ENG905-1

Typischer A-bewerteter Schallpegel nach EN60745:

Schalldruckpegel (L_{pA}): 75 dB (A)

Abweichung (K): 3 dB (A)

Unter Arbeitsbedingungen kann der Schalldruck 80 dB (A) überschreiten.

Tragen Sie Gehörschutz.

Schwingung

ENG900-1

SchwingungsGesamtwerte (Vektorsumme dreier Achsen) nach EN60745:

Arbeitsmodus: Planschleifen

Schwingungsbelastung ($a_{h, SG}$): 2,5 m/s² oder weniger

Abweichung (K): 1,5 m/s²

- Der hier angegebene Wert für die erzeugten Schwingungen wurde gemäß dem genormten Testverfahren ermittelt und kann als Vergleich zu anderen Werkzeugen herangezogen werden.
- Der angegebene Wert für die erzeugten Schwingungen ist außerdem für eine vorbeugende Bewertung der Belastung zu verwenden.
- Der angegebene Wert für die erzeugten Schwingungen gilt, wenn das Elektrowerkzeug für den vorgesehenen Zweck verwendet wird. Wenn das Werkzeug für andere Zwecke verwendet wird, kann der Wert für die Schwingungsbelastung jedoch von dem hier aufgeführten Wert abweichen.

⚠ WARNUNG:

- Die Schwingungsbelastung kann bei tatsächlichem Gebrauch des Elektrowerkzeugs in Abhängigkeit von der Handhabung des Elektrowerkzeugs von dem hier aufgeführten Wert abweichen.
- Stellen Sie sicher, dass Schutzmaßnahmen für den Bediener getroffen werden, die auf den unter den tatsächlichen Arbeitsbedingungen zu erwartenden Belastungen beruhen (beziehen Sie alle Bestandteile des Arbeitsablaufs ein, also zusätzlich zu den Arbeitszeiten auch Zeiten, in denen das Werkzeug ausgeschaltet ist oder ohne Last läuft).

Nur für europäische Länder

ENH101-16

EG-Konformitätserklärung

Wir, Makita Corporation als verantwortlicher Hersteller, erklären, dass das/die folgende/n Gerät/ Geräte der Marke Makita:

Bezeichnung des Geräts/der Geräte:

Geradschleifer

Nummer / Typ des Modells: GD0601

in Serienfertigung hergestellt wird/werden und

den folgenden Richtlinien der Europäischen Union genügt/genügen:

2006/42/EG

Außerdem werden die Geräte gemäß den folgenden

Standards oder Normen gefertigt:

EN60745

Die technische Dokumentation erfolgt durch:

Makita International Europe Ltd.

Technical Department,

Michigan Drive, Tongwell,

Milton Keynes, Bucks MK15 8JD, England

30. 1. 2009



Tomoyasu Kato
Direktor

Makita Corporation
3-11-8, Sumiyoshi-cho,
Anjo, Aichi, 446-8502, JAPAN

ITALIANO (Istruzioni originali)

Spiegazione della vista generale

- | | | |
|----------------------------|-----------------------|-------------------------|
| 1. Interruttore scorrevole | 3. Dado della bussola | 5. Impugnatura laterale |
| 2. Chiave da 13 | 4. Chiave da 13 | |

CARATTERISTICHE TECNICHE

Modello	GD0601
Capacità max bussola	6 mm o 6,35 mm (1/4")
Diametro max punta disco	38 mm
Velocità a vuoto (n ₀)/Velocità nominale (n)	25.000 min ⁻¹
Lunghezza totale	359 mm
Peso netto	1,7 kg
Classe di sicurezza	□/II

- Le caratteristiche tecniche riportate di seguito sono soggette a modifiche senza preavviso in virtù del nostro programma continuo di ricerca e sviluppo.
- Le caratteristiche tecniche possono differire da paese a paese.
- Peso determinato in conformità con la EPTA-Procedure 01/2003

Uso previsto ENE050-1

Questo utensile è stato progettato per smerigliare materiali ferrosi o per eseguire la sbavatura di pezzi fusi.

Alimentazione ENF002-2

L'utensile deve essere collegato a una presa di corrente con la stessa tensione di quella indicata sulla targhetta e può funzionare soltanto con corrente alternata monofase. L'utensile è dotato di doppio isolamento, pertanto può essere usato anche con prese di corrente sprovviste della messa a terra.

Avvertenze generali di sicurezza per l'uso dell'utensile

GEA010-1

⚠ AVVERTENZA Leggere attentamente tutte le avvertenze di sicurezza e le istruzioni. La mancata osservanza delle istruzioni e delle avvertenze riportate di seguito potrebbe provocare scosse elettriche, incendi e/o lesioni gravi.

Conservare le avvertenze e le istruzioni per riferimenti futuri.

AVVERTENZE DI SICUREZZA PER LA SMERIGLIATRICE DIRITTA

GEB034-7

Avvertenze di sicurezza comuni per le operazioni di smerigliatura:

1. Questo elettroutensile è costruito per essere utilizzato come smerigliatrice. Leggere tutti gli avvisi di sicurezza, le istruzioni, le illustrazioni e le caratteristiche tecniche fornite con questo utensile. La mancata osservanza delle istruzioni riportate di seguito può provocare scosse elettriche, incendi e/o lesioni gravi.
2. Non è consigliato eseguire con questo utensile operazioni quali carteggiatura, lucidatura, pulitura e taglio. Le operazioni per cui l'utensile non è stato

progettato possono creare un rischio e lesioni personali.

3. **Non utilizzare accessori non appositamente progettati e consigliati dal produttore dell'utensile.** Il semplice fissaggio dell'accessorio al proprio utensile non garantisce un funzionamento sicuro.
4. **La velocità nominale dell'accessorio deve essere almeno equivalente alla velocità massima contrassegnata sull'utensile.** Gli accessori che funzionano più velocemente della velocità nominale possono rompersi in più pezzi.
5. **Il diametro esterno e lo spessore dell'accessorio devono corrispondere ai limiti di capienza dell'utensile.** Gli accessori con dimensioni errate non possono essere custoditi o controllati adeguatamente.
6. **Non utilizzare un accessorio danneggiato. Prima di ogni uso, esaminare gli accessori come i dischi abrasivi, per individuare eventuali trucioli o rotture. Se l'utensile o l'accessorio cadono, controllare l'eventuale presenza di danni o installare un accessorio intatto. Dopo aver esaminato e installato un accessorio, scostarsi e allontanare eventuali persone presenti dal piano di rotazione dell'accessorio, quindi azionare l'utensile alla massima velocità a vuoto per un minuto.** Normalmente, gli accessori danneggiati si romperanno durante questo periodo di prova.
7. **Indossare l'equipaggiamento di protezione individuale. A seconda dell'applicazione, utilizzare uno schermo facciale, occhiali protettivi o di sicurezza. Se necessario, indossare una maschera antipolvere, guanti e un grembiule da officina in grado di fermare frammenti piccoli o abrasivi del pezzo in lavorazione.** La protezione degli occhi deve essere capace di arrestare i residui volanti generati dalle varie operazioni. La maschera antipolvere o il respiratore devono essere in grado di filtrare le particelle generate dalla propria attività. L'esposizione prolungata al rumore ad alta intensità può causare la perdita dell'udito.
8. **Mantenere gli astanti a distanza di sicurezza dall'area di lavoro. Tutte le persone che entrano**

nella zona di lavoro devono indossare l'equipaggiamento di protezione individuale. I frammenti di un pezzo o di un accessorio rotto possono volare via e provocare lesioni oltre l'area operativa immediata.

9. **Se vengono eseguite operazioni in cui l'accessorio di taglio può toccare fili nascosti o il cavo di alimentazione dell'utensile, impugnare l'utensile utilizzando solo i punti di presa isolati.** Se l'accessorio da taglio entra a contatto con un filo percorso da corrente, le parti metalliche esposte dell'utensile si troveranno anch'esse sotto tensione e potrebbero provocare scosse elettriche all'operatore.
10. **Posizionare il cavo lontano dall'accessorio rotante.** Se si perde il controllo, il cavo può tagliarsi o impigliarsi e la mano o il braccio potrebbero essere spinti nell'accessorio rotante.
11. **Non appoggiare mai l'utensile a terra se l'accessorio non è completamente fermo.** L'accessorio rotante può agganciare la superficie causando la perdita di controllo dell'utensile.
12. **Non azionare l'utensile quando viene trasportato a lato del proprio corpo.** In caso di contatto accidentale, l'accessorio rotante può impigliarsi nei vestiti provocando lesioni fisiche.
13. **Pulire regolarmente le aperture di ventilazione dell'utensile.** La ventola del motore attrarrà la polvere all'interno dell'alloggiamento e l'accumulo eccessivo di polvere metallica può causare pericoli elettrici.
14. **Non utilizzare l'utensile vicino a materiali infiammabili.** Le scintille possono provocare l'accensione di questi materiali.
15. **Non utilizzare accessori che richiedano refrigeranti liquidi.** L'utilizzo di acqua o altri refrigeranti liquidi può provocare elettrocuzione o scosse elettriche.
16. **Contraccolpi e relative avvertenze**
I contraccolpi sono la reazione improvvisa che si manifesta a fronte della frizione o dell'incaglio di un disco in rotazione, di un platorello, di una spazzola o di qualunque altro accessorio. L'inceppamento causa un improvviso stallo dell'accessorio rotante che spinge a sua volta l'utensile in direzione opposta al verso di rotazione dell'accessorio, causandone il grippaggio.
Ad esempio, se un disco abrasivo si incaglia nel pezzo in lavorazione, il bordo del disco a contatto del punto di incaglio può penetrare nel pezzo, causando il distacco dell'accessorio. Il disco potrebbe schizzare contro o lontano dall'operatore, a seconda della direzione di movimento del disco nel punto di inceppamento. In queste circostanze i dischi abrasivi possono anche rompersi.
I contraccolpi sono determinati dall'uso improprio dell'utensile e/o da procedure o condizioni di utilizzo errate e possono essere evitati adottando le specifiche precauzioni illustrate di seguito.
 - a) **Stringere con forza l'utensile posizionando il proprio corpo e il braccio in modo da resistere alla forza del contraccolpo. Utilizzare sempre la maniglia ausiliaria, se in dotazione, per il massimo controllo in caso di reazione contro la coppia di torsione o i contraccolpi in fase di avviamento.** Se vengono adottate le precauzioni adeguate, l'operatore

può controllare le reazioni della coppia di torsione o le forze del contraccolpo.

- b) **Non avvicinare le mani all'accessorio rotante.** Potrebbe verificarsi un contraccolpo dell'accessorio sulle estremità del corpo.
 - c) **Se si verificano contraccolpi, non posizionare il corpo nel raggio di spostamento dell'utensile.** I contraccolpi spingeranno l'utensile nella direzione opposta al movimento del disco nel punto di inceppamento.
 - d) **Prestare particolare attenzione durante le operazioni su spigoli, bordi appuntiti e così via. Evitare di fare rimbalzare o inceppare l'accessorio.** Gli spigoli, i bordi appuntiti o i rimbalzi tendono a far inceppare l'accessorio rotante provocando contraccolpi o perdita di controllo.
 - e) **Non collegare una lama per scolpire il legno munita di catena o una lama da taglio dentata.** Queste lame tendono a creare frequenti contraccolpi e perdita di controllo.
17. **Avvertenze di sicurezza specifiche per la smerigliatura:**
 - a) **Usare esclusivamente le tipologie di disco raccomandate per l'utensile utilizzato.**
 - b) **I dischi devono essere utilizzati soltanto per le applicazioni suggerite. Ad esempio: non smerigliare con il lato del disco diamantato.** I dischi abrasivi diamantati sono previsti per la smerigliatura periferica, le forze laterali applicate a questi dischi possono causarne la frantumazione.
 - c) **Non utilizzare dischi usurati di utensili con dimensioni maggiori.** I dischi previsti per utensili più grandi non sono adatti per le velocità più elevate di un utensile più piccolo e possono scoppiare.

Avvertenze di sicurezza supplementari:

18. **Verificare che il disco non tocchi il pezzo in lavorazione prima di accendere l'interruttore.**
19. **Prima di utilizzare l'utensile su un pezzo in lavorazione, lasciarlo funzionare a vuoto per qualche minuto. Prestare attenzione a vibrazioni e oscillazioni che potrebbero indicare difetti di installazione o il bilanciamento errato del disco.**
20. **Per la smerigliatura, usare la superficie specificata del disco.**
21. **Fare attenzione alle scintille. Tenere l'utensile in modo che le scintille non siano dirette verso l'operatore, altre persone o materiali infiammabili.**
22. **Non lasciare l'utensile acceso. Azionare l'utensile solo quando viene tenuto in mano.**
23. **Non toccare il pezzo subito dopo il lavoro, poiché può raggiungere temperature elevate e provocare ustioni.**
24. **Prima di eseguire qualsiasi operazione sull'utensile, verificare sempre di averlo spento e scollegato e di aver rimosso la batteria.**
25. **Osservare le istruzioni del produttore per il corretto montaggio e utilizzo dei dischi. Maneggiare e conservare i dischi con cura.**
26. **Accertarsi che il pezzo sia fissato stabilmente nei supporti.**
27. **Se l'ambiente di lavoro è estremamente caldo o umido oppure contaminato da polvere conduttiva, usare un salvavita (30 mA) per garantire la sicurezza dell'operatore.**

28. **Non usare l'utensile su materiali che contengono amianto.**
29. **L'utensile non è impermeabile; evitare l'uso di acqua sulla superficie del pezzo in lavorazione.**
30. **Accertarsi che le fessure di aerazione siano aperte quando si lavora in ambienti polverosi. Per rimuovere eventuale polvere, scollegare prima l'utensile dalla presa di corrente (senza usare oggetti metallici) per evitare di danneggiare le parti interne.**
31. **Accertarsi sempre di avere un equilibrio costante. Accertarsi che nessuno si trovi sotto all'attrezzo quando viene utilizzato in posizioni elevate.**

CONSERVARE QUESTE ISTRUZIONI.

AVVERTENZA:

NON lasciare che la familiarità acquisita con il prodotto (dovuta all'uso ripetuto) provochi l'inosservanza delle norme di sicurezza. L'USO IMPROPRIO o la mancata osservanza delle norme di sicurezza indicate in questo manuale di istruzioni possono provocare gravi danni alla persona.

DESCRIZIONE FUNZIONALE

ATTENZIONE

- Prima di regolare o controllare le funzioni dell'utensile, verificare sempre di averlo spento e scollegato dall'alimentazione.

Azionamento dell'interruttore (Fig. 1)

ATTENZIONE

- Prima di collegare l'utensile, controllare se l'interruttore scorrevole funziona correttamente e ritorna alla posizione "SPENTO" quando viene premuta la parte posteriore dell'interruttore.

Per avviare l'utensile, portare l'interruttore scorrevole in posizione "I (ACCESO)". Per il funzionamento continuo, premere la parte anteriore dell'interruttore scorrevole per bloccarne la posizione.

Per fermare l'utensile, premere la parte posteriore dell'interruttore scorrevole, quindi portarlo nella posizione "O (SPENTO)".

MONTAGGIO

ATTENZIONE

- Accertarsi sempre che l'utensile sia spento e scollegato dalla presa di corrente prima di iniziare qualsiasi operazione su di esso.

Installazione o rimozione della punta del disco (Fig. 2 e 3)

Allentare il dado della bussola e inserire la punta del disco nel dado. Utilizzare una chiave per tenere il mandrino e l'altra per stringere saldamente il dado.

La punta del disco non deve essere montata a più di 8 mm dal dado della bussola. Il superamento di questa distanza potrebbe causare vibrazioni o la rottura dell'albero.

Per rimuovere la punta del disco, attenersi alla procedura di installazione procedendo in senso inverso.

ATTENZIONE

- Usare un cono della bussola di chiusura delle dimensioni corrette per la punta disco che si intende utilizzare.

Impugnatura laterale (accessorio opzionale) (Fig. 4)

Per utilizzare l'impugnatura laterale, rimuovere la protezione in gomma quindi inserire completamente l'impugnatura laterale nel portautensili e ruotarla fino a raggiungere l'angolo desiderato. Serrare l'impugnatura saldamente ruotandola in senso orario.

ATTENZIONE

- Se si utilizza l'utensile senza impugnatura, applicare sempre la protezione in gomma sull'utensile.
- Per applicare la protezione in gomma, premere sull'utensile, finché la sporgenza all'interno della gomma non si inserisce nelle scanalature dell'utensile.

FUNZIONAMENTO (Fig. 5)

Accendere l'utensile senza far entrare in contatto la punta del disco con il pezzo in lavorazione, quindi attendere che la punta del disco raggiunga la velocità massima. Applicare quindi delicatamente la punta del disco sul pezzo. Per ottenere una buona rifinitura, spostare l'utensile lentamente verso sinistra.

ATTENZIONE

- Esercitare una leggera pressione sull'utensile. Una pressione eccessiva produce soltanto una rifinitura scarsa e sovraccarica il motore.

MANUTENZIONE

ATTENZIONE

- Prima di effettuare controlli e operazioni di manutenzione, verificare sempre che l'utensile sia spento e scollegato.
- Evitare assolutamente di usare benzina, diluenti, solventi, alcol o sostanze simili. In caso contrario, potrebbero verificarsi scoloriture, deformazioni o incrinature.

Per mantenere la SICUREZZA e l'AFFIDABILITÀ del prodotto, le riparazioni, il controllo della spazzola di carbone, le sostituzioni e qualsiasi altra operazione di manutenzione o regolazione devono essere eseguite da un centro di assistenza Makita autorizzato usando sempre ricambi Makita.

ACCESSORI OPZIONALI

ATTENZIONE:

- Si consiglia l'uso dei seguenti accessori per l'utensile Makita descritto in questo manuale. L'uso di qualsiasi altro accessorio potrebbe provocare lesioni personali. Utilizzare gli accessori esclusivamente per l'uso dichiarato.

Per l'assistenza e per ulteriori informazioni su tali accessori, rivolgersi al centro assistenza Makita di zona.

- Punta del disco
- Kit anelli conici (3 mm, 6 mm, 1/4", 1/8")
- Chiave da 13
- Kit impugnatura laterale

NOTA:

- Alcuni degli accessori elencati potrebbero essere inclusi nella confezione dell'utensile come accessori standard. Gli accessori standard possono differire da paese a paese.

La documentazione tecnica viene conservata da:
Makita International Europe Ltd.
Technical Department,
Michigan Drive, Tongwell,
Milton Keynes, Bucks MK15 8JD, Inghilterra

Rumore

ENG905-1

Il tipico livello di rumore ponderato "A" è determinato in conformità con la norma EN60745:

Livello di pressione sonora (L_{pA}): 75 dB (A)

Variatione (K): 3 dB (A)

Il livello acustico in esercizio può superare 80 dB (A).

Indossare una protezione acustica.

30. 1. 2009



Tomoyasu Kato
Direttore

Makita Corporation
3-11-8, Sumiyoshi-cho,
Anjo, Aichi, 446-8502, JAPAN

Vibrazione

ENG900-1

Il valore totale delle vibrazioni (somma vettoriale triassiale) è determinato in conformità con la norma EN60745:

Modalità di lavoro: smerigliatura superficiale

Emissione vibrazioni ($a_{h,SG}$): 2,5 m/s² o inferiore

Variatione (K): 1,5 m/s²

ENG902-1

- Il valore di emissione delle vibrazioni dichiarato è stato misurato in conformità con il metodo di test standard e può essere utilizzato per confrontare tra loro diversi utensili.
- Il valore di emissione delle vibrazioni dichiarato può anche essere utilizzato per stime preliminari dell'esposizione.
- Il valore dell'emissione delle vibrazioni dichiarato è utilizzato per le applicazioni principali dello strumento. Tuttavia, se lo strumento viene utilizzato per altre applicazioni, il valore dell'emissione delle vibrazioni potrebbe essere diverso.

 **AVVERTENZA:**

- L'emissione delle vibrazioni durante l'uso effettivo dell'utensile elettrico può risultare diversa rispetto al valore dichiarato, in base alla modalità d'uso dell'utensile.
- Assicurarsi di individuare le necessarie misure di sicurezza per proteggere l'operatore in base a una stima dell'esposizione nelle condizioni reali di utilizzo (prendendo in considerazione tutte le fasi del ciclo operativo, come quante volte l'utensile viene spento e i periodi in cui rimane inattivo, oltre al tempo di avviamento).

Solo per i paesi europei

ENH101-16

Dichiarazione di conformità CE

Makita Corporation, in qualità di produttore responsabile, dichiara che i dispositivi Makita riportati di seguito:

Denominazione del dispositivo:

Smerigliatrice diritta

N. modello/Tipo: GD0601

appartengono a una produzione in serie e

sono conformi alle seguenti direttive europee

riportate di seguito:

2006/42/EC

Sono inoltre prodotte in conformità con gli standard o i documenti standardizzati riportati di seguito:

EN60745

NEDERLANDS (Originele instructies)

Verklaring van algemene gegevens

- | | | |
|---------------|----------------|-----------------|
| 1. Schuifknop | 3. Spankopmoer | 5. Zijhandgreep |
| 2. Sleutel 13 | 4. Sleutel 13 | |

TECHNISCHE GEGEVENS

Model	GD0601
Max. opening spankop	6 mm of 6,35 mm (1/4")
Max. diameter van opzetdeel	38 mm
Nullastoerental (n ₀)/nominaal toerental (n)	25.000 min ⁻¹
Totale lengte	359 mm
Nettogewicht	1,7 kg
Veiligheidsklasse	□/II

- Als gevolg van ons doorlopende onderzoeks- en ontwikkelingsprogramma, zijn de technische gegevens van dit gereedschap onderhevig aan veranderingen zonder voorafgaande kennisgeving.
- De technische gegevens kunnen van land tot land verschillen.
- Gewicht volgens EPTA-procedure 01/2003


Gebruiksdoelinden ENE050-1

Het gereedschap is bedoeld voor het schuren van ferrometalen en het afbramen van gegoten metaaldelen.

Voeding ENF002-2

Het gereedschap mag uitsluitend worden aangesloten op een voeding met dezelfde spanning als aangegeven op het typeplaatje en werkt alleen op enkele-fase wisselstroom. Het gereedschap is dubbel geïsoleerd en mag derhalve ook op een niet-geaard stopcontact worden aangesloten.

Algemene veiligheidswaarschuwingen voor elektrisch gereedschap GEA010-1

 **WAARSCHUWING** Lees alle veiligheidswaarschuwingen en alle instructies. Het niet volgen van de waarschuwingen en instructies kan leiden tot elektrische schokken, brand en/of ernstig letsel.

Bewaar alle waarschuwingen en instructies om in de toekomst te kunnen raadplegen.

VEILIGHEIDSWAARSCHUWINGEN STEMPELSLIJPMACHINE GEB034-7

Gemeenschappelijke veiligheidswaarschuwingen voor slijpwerkzaamheden:

1. **Dit elektrisch gereedschap is bedoeld voor gebruik als slijpmachine. Lees alle veiligheidswaarschuwingen, instructies, afbeeldingen en technische gegevens die bij dit elektrisch gereedschap worden geleverd.** Als u nalaat alle onderstaande instructies te volgen, kan dit leiden tot een elektrische schok, brand en/of ernstig letsel.
2. **Wij adviseren u werkzaamheden zoals schuren, draadborstelen, polijsten of doorslijpen niet uit te voeren met dit elektrisch gereedschap.** Werkzaamheden waarvoor dit elektrisch gereedschap niet is bedoeld kunnen gevaarlijke situaties opleveren en tot persoonlijk letsel leiden.
3. **Gebruik geen accessoires die niet specifiek zijn ontworpen en aanbevolen door de fabrikant van het gereedschap.** Ook wanneer het accessoire kan worden bevestigd op uw elektrisch gereedschap, is een veilige werking niet gegarandeerd.
4. **Het nominaal toerental van het accessoire moet minstens gelijk zijn aan het maximumtoerental vermeld op het elektrisch gereedschap.** Accessoires die met een hoger toerental draaien dan hun nominaal toerental kunnen stuk breken en in het rond vliegen.
5. **De buitendiameter en de dikte van het accessoire moet binnen het capaciteitsbereik van het elektrisch gereedschap vallen.** Accessoires met verkeerde afmetingen kunnen niet afdoende worden afgeschermd of beheerst.
6. **Gebruik nooit een beschadigd accessoire. Inspecteer het accessoire vóór ieder gebruik, bijvoorbeeld een slijpschijf op ontbrekende schilfers en barsten. Nadat het elektrisch gereedschap is gevallen, inspecteert u het op schade of monteert u een onbeschadigd accessoire. Na inspectie en montage van een accessoire, zorgt u ervoor dat u en omstanders niet in het rotatie vlak van het accessoire staan, en laat u het elektrisch gereedschap draaien op het maximaal, onbelast toerental gedurende één minuut. Beschadigde accessoires breken normaal gesproken in stukken gedurende deze testduur.**
7. **Gebruik persoonlijke veiligheidsmiddelen. Afhankelijk van de toepassing gebruikt u een spatscherm, een beschermende bril of een veiligheidsbril. Al naar gelang van toepassing draagt u een stofmasker, gehoorbeschermers, handschoenen en een werkschort die in staat zijn kleine stukjes slijpsel of werkstukfragmenten te weerstaan. De oogbescherming moet in staat zijn**

rondvliegend afval te stoppen dat ontstaat bij de diverse werkzaamheden. Het stofmasker of ademhalingsapparaat moet in staat zijn deeltjes te filteren die ontstaat bij de werkzaamheden. Langdurige blootstelling aan zeer intens geluid kan leiden tot gehoorbeschadiging.

8. **Houd omstanders op veilige afstand van het werkgebied. Iedereen die zich binnen het werkgebied begeeft, moet persoonlijke veiligheidsmiddelen gebruiken.** Fragmenten van het werkstuk of van een uiteengevallen accessoire kunnen rondvliegen en letsel veroorzaken buiten de onmiddellijke werkomgeving.
 9. **Houd het elektrisch gereedschap uitsluitend vast aan het geïsoleerde oppervlak van de handgrepen wanneer u werkt op plaatsen waar het slijpaccessoire met verborgen bedrading of zijn eigen snoer in aanraking kan komen.** Wanneer het accessoire in aanraking komen met onder spanning staande draden, zullen de niet-geïsoleerde metalen delen van het gereedschap onder spanning komen te staan zodat de gebruiker een elektrische schok kan krijgen.
 10. **Houd het snoer goed uit de buurt van het ronddraaiende accessoire.** Als u de controle verliest over het gereedschap, kan het snoer worden doorgesneden of bekneld raken, en kan uw hand of arm tegen het ronddraaiende accessoire worden aangetrokken.
 11. **Leg het elektrisch gereedschap nooit neer voordat het accessoire volledig tot stilstand is gekomen.** Het ronddraaiende accessoire kan de ondergrond pakken zodat u de controle over het elektrisch gereedschap verliest.
 12. **Laat het elektrisch gereedschap niet draaien terwijl u het naast u draagt.** Als het ronddraaiende accessoire u per ongeluk raakt, kan het verstrikt raken in uw kleding waardoor het accessoire in uw lichaam wordt getrokken.
 13. **Maak de ventilatieopeningen van het gereedschap regelmatig schoon.** De ventilator van de motor zal het stof de behuizing in trekken, en een grote opeenhoping van metaalslijpsel kan leiden tot elektrisch gevaarlijke situaties.
 14. **Gebruik het elektrisch gereedschap niet in de buurt van brandbare materialen.** Vonken kunnen deze materialen doen ontvlammen.
 15. **Gebruik geen accessoire die met vloeistof moeten worden gekoeld.** Het gebruik van water of andere vloeibare koelmiddelen kan leiden tot elektrocutie of elektrische schokken.
 16. **Terugslag en aanverwante waarschuwingen**
Terugslag is een plotselinge reactie op een beknelde of vastgelopen draaiende schijf, rugschijf, borstel of enig ander accessoire. Beknellen of vastlopen veroorzaakt een snelle stilstand van het draaiende accessoire dat op zijn beurt ertoe leidt dat het elektrisch gereedschap zich ongecontroleerd beweegt in de tegenovergestelde richting van de draairichting van het accessoire op het moment van vastlopen. Bijvoorbeeld, als een slijpschijf bekneld raakt of vastloopt in het werkstuk, kan de rand van de schijf die het beknellingspunt ingaat, zich invreten in het oppervlak van het materiaal waardoor de schijf eruit klimt of eruit slaat. De schijf kan daarbij naar de gebruiker toe of weg springen, afhankelijk van de draairichting van de schijf op het beknellingspunt. Slijpschijven kunnen in dergelijke situaties ook breken.
Terugslag is het gevolg van misbruik van het elektrisch gereedschap en/of onjuiste gebruiksprocedures of -omstandigheden, en kan worden voorkomen door goede voorzorgsmaatregelen te treffen, zoals hieronder vermeld:
 - a) **Houd het gereedschap stevig vast en houdt uw armen en lichaam zodanig dat u in staat bent een terugslag op te vangen. Gebruik altijd de extra handgreep (indien aanwezig) voor een maximale controle over het gereedschap in geval van terugslag en koppelreactie bij het starten.** De gebruiker kan een terugslag of de koppelreactie opvangen indien de juiste voorzorgsmaatregelen worden getroffen.
 - b) **Plaats uw hand nooit in de buurt van het draaiende accessoire.** Het accessoire kan terugslaan over uw hand.
 - c) **Plaats uw lichaam niet in het gebied waar het elektrisch gereedschap naar toe gaat wanneer een terugslag optreedt.** Een terugslag zal het gereedschap bewegen in de tegenovergestelde richting van de draairichting van de schijf op het moment van beknellen.
 - d) **Wees bijzonder voorzichtig bij het werken met hoeken, scherpe randen, enz. Voorkom dat het accessoire springt of bekneld raakt.** Hoeken, scherpe randen of springen veroorzaken vaak beknellen van het draaiende accessoire wat leidt tot terugslag of verlies van controle over het gereedschap.
 - e) **Bevestig geen houtbewerkingsblad van een zaagketting of getand zaagblad.** Dergelijke accessoiren leiden vaak tot terugslag of verlies van controle over het gereedschap.
 17. **Veiligheidswaarschuwingen specifiek voor slijpwerkzaamheden:**
 - a) **Gebruik uitsluitend schijven van het type aanbevelen voor uw elektrisch gereedschap.**
 - b) **De schijven mogen uitsluitend worden gebruikt voor de aanbevolen toepassingen. Bijvoorbeeld: u mag niet slijpen met de zijkant van een doorslijpschijf.** Doorslijpschijven zijn bedoeld voor slijpen met de rand. Krachten op het zijoppervlak kunnen deze schijven doen breken.
 - c) **Gebruik geen afgesleten schijven van grotere elektrische gereedschappen.** Schijven die zijn bedoeld voor grotere elektrische gereedschappen zijn niet geschikt voor de hogere snelheid van een kleiner elektrisch gereedschap en kunnen in stukken breken.
- Aanvullende veiligheidswaarschuwingen:**
18. **Zorg ervoor dat de schijf niet in aanraking is met het werkstuk voordat u het gereedschap hebt ingeschakeld.**
 19. **Laat het gereedschap een tijdje draaien voordat u het op het werkstuk gebruikt. Controleer op trillingen of schommelingen die op onjuiste montage of een slecht uitgebalanceerde schijf kunnen wijzen.**

20. Gebruik de aangegeven kant van de schijf om mee te slijpen.
21. Wees alert op rondvliegende vonken. Houd het gereedschap zodanig vast dat de vonken wegvliegen van u en andere personen of brandbare materialen.
22. Laat het gereedschap niet ingeschakeld liggen. Bedien het gereedschap alleen wanneer u het vasthoudt.
23. Raak de schijf niet onmiddellijk na gebruik aan. Deze kan bijzonder heet zijn en brandwonden op uw huid veroorzaken.
24. Controleer altijd of het gereedschap is uitgeschakeld en de stekker uit het stopcontact is getrokken of de accu is verwijderd alvorens enige werkzaamheden aan het gereedschap te verrichten.
25. Houd u aan de instructies van de fabrikant voor juiste montage en gebruik van de schijven. Behandel en bewaar de schijven zorgvuldig.
26. Controleer of het werkstuk goed wordt ondersteund.
27. Als de werkruiimte bijzonder heet en vochtig is, of sterk vervuild is met geleidend stof, gebruik dan een kortsluitonderbreker (30 mA) om de veiligheid van de gebruiker te garanderen.
28. Gebruik het gereedschap niet op materiaal dat asbest bevat.
29. Dit gereedschap is niet waterdicht. Gebruik dus geen water op het oppervlak van het werkstuk.
30. Zorg ervoor dat de ventilatie-openingen niet verstopt raken bij gebruik in een stoffige omgeving. Als het noodzakelijk is het stof te verwijderen, moet u het gereedschap eerst loskoppelen van de netvoeding (gebruik hiervoor niet-metalen voorwerpen) en wees voorzichtig geen inwendige onderdelen te beschadigen.
31. Zorg er altijd voor dat u stevig staat. Controleer dat er niemand onder u staat wanneer u het gereedschap op een hoge plaats gebruikt.

BEWAAR DEZE INSTRUCTIES.

WAARSCHUWING:

Laat u NIET misleiden door een vals gevoel van comfort en bekendheid met het gereedschap (na veelvuldig gebruik) en neem alle veiligheidsvoorschriften van het betreffende product altijd strikt in acht. VERKEERD GEBRUIK of het niet volgen van de veiligheidsinstructies in deze gebruiksaanwijzing kan leiden tot ernstig persoonlijk letsel.

BESCHRIJVING VAN DE FUNCTIES

LET OP:

- Controleer altijd of het gereedschap is uitgeschakeld en de stekker uit het stopcontact is getrokken alvorens de functies van het gereedschap te controleren of af te stellen.

In- en uitschakelen (zie afb. 1)

LET OP:

- Controleer altijd, voordat u het gereedschap aansluit op het elektriciteitsnet, of de schuifknop op de juiste manier schakelt en weer terugkeert naar de uit-stand, wanneer achter op de schuifknop wordt gedrukt.

Om het gereedschap in te schakelen, schuift u de schuifknop naar de stand I (ON). Om het gereedschap continu te laten werken, drukt u op de voorkant van de schuifknop om deze te vergrendelen.

Om het gereedschap uit te schakelen drukt u op de achterkant van de schuifknop en schuift u de knop naar de positie O (OFF).

ONDERDELEN AANBRENGEN/ VERWIJDEREN

LET OP:

- Controleer altijd of het gereedschap is uitgeschakeld en de stekker uit het stopcontact is getrokken alvorens enige werk aan het gereedschap uit te voeren.

Het bit aanbrengen en verwijderen (zie afb. 2 en 3)

Draai de spankopmoer los en steek het opzetdeel in de spankopmoer. Gebruik de ene steeksleutel om de as op zijn plaats te houden en de andere om de spankopmoer stevig aan te draaien.

De as van het opzetdeel mag niet meer dan 8 mm uit de spankopmoer steken. Als deze afstand groter wordt, kunnen trillingen ontstaan of de as van het opzetdeel breken.

Om het opzetdeel te verwijderen, volgt u de procedure in omgekeerde volgorde.

LET OP:

- Gebruik de juiste maat spankop voor het opzetdeel dat u wilt gebruiken.

Zijhandgreep (los verkrijgbaar) (zie afb. 4)

Als u de zijhandgreep wilt gebruiken, verwijdert u eerst de rubberen bescherm dop, steekt u daarna de punt van de zijhandgreep zo ver mogelijk in de schroefdraadopening van het gereedschap, en verdraait u vervolgens de zijhandgreep naar de gewenste bedieningshoek. Tenslotte draait u de zijhandgreep stevig vast door deze rechtsom te draaien.

LET OP:

- Als u het gereedschap zonder de zijhandgreep wilt gebruiken, plaatst u de rubberen bescherm dop terug op het gereedschap.
- Bij het terugplaatsen van de rubberen bescherm dop, duwt u deze zodanig op het gereedschap dat het uitsteeksel aan de binnenkant van de rubberen dop op zijn plaats zit in de groef in het gereedschap.

BEDIENING (zie afb. 5)

Schakel het gereedschap in zonder dat het opzetdeel het werkstuk raakt en wacht tot het opzetdeel op volle snelheid draait. Plaats vervolgens voorzichtig het opzetdeel op het werkstuk. Beweeg het opzetwiel langzaam naar links voor een mooi resultaat.

LET OP:

- Oefen slechts lichte druk uit op het gereedschap. Een te hoge druk op het gereedschap leidt slechts tot een slecht resultaat en overbelasting van de motor.

ONDERHOUD

LET OP:

- Zorg er altijd voor dat de machine is uitgeschakeld en de stekker uit het stopcontact is getrokken, voordat u een inspectie of onderhoud uitvoert.
- Gebruik nooit benzine, wasbenzine, thinner, alcohol, enz. Dit kan leiden tot verkleuren, vervormen of barsten.

Om de VEILIGHEID en BETROUWBAARHEID van het gereedschap te handhaven, dienen alle reparaties, controle en vervanging van de koolborstels, onderhoud en afstellingen te worden uitgevoerd door een erkend Makita-servicecentrum, en altijd met gebruikmaking van originele Makita-vervangingsonderdelen.

VERKRIJGBARE ACCESSOIRES

⚠ LET OP:

- Deze accessoires of hulpstukken worden aanbevolen voor gebruik met het Makita-gereedschap dat in deze gebruiksaanwijzing wordt beschreven. Het gebruik van andere accessoires of hulpstukken kan gevaar voor persoonlijk letsel opleveren. Gebruik de accessoires of hulpstukken uitsluitend voor de aangegeven gebruiksdoeleinden.

Mocht u meer informatie willen hebben over deze accessoires, dan kunt u contact opnemen met uw plaatselijke Makita-servicecentrum.

- Opzetdelen
- Set spankopen (3 mm, 6 mm, 1/4", 1/8")
- Sleutel 13
- Zijhandgreepset

OPMERKING:

- Sommige items op de lijst kunnen zijn inbegrepen in de doos van het gereedschap als standaard toebehoren. Zij kunnen van land tot land verschillen.

Geluid ENG905-1

De typische, A-gewogen geluidsniveaus zijn gemeten volgens EN60745:

Geluidsdrukniveau (L_{pA}): 75 dB (A)

Onzekerheid (K): 3 dB (A)

Het geluidsniveau kan tijdens gebruik hoger worden dan 80 dB (A).

Draag gehoorbescherming.

Trillingen ENG900-1

De totale trillingswaarde (triaxiale vectorsom) zoals vastgesteld volgens EN60745:

Gebruikstoepassing: slijpen van oppervlakken

Trillingsemismissie ($a_{h,SG}$): 2,5 m/s² of lager

Onzekerheid (K): 1,5 m/s²

ENG902-1

- De opgegeven trillingsemismissiewaarde is gemeten volgens de standaardtestmethode en kan worden gebruikt om dit gereedschap te vergelijken met andere gereedschappen.

- De opgegeven trillingsemismissiewaarde kan ook worden gebruikt voor een beoordeling vooraf van de blootstelling.
- De opgegeven trillingsemismissiewaarde wordt gebruikt bij veel toepassingen van het elektrisch gereedschap. Echter, indien het elektrisch gereedschap wordt gebruikt bij andere toepassingen, dan kan de trillingsemismissiewaarde anders zijn.

⚠ WAARSCHUWING:

- De trillingsemismissie tijdens het gebruik van het elektrisch gereedschap in de praktijk kan verschillen van de opgegeven trillingsemismissiewaarde afhankelijk van de manier waarop het gereedschap wordt gebruikt.
- Zorg ervoor dat veiligheidsmaatregelen worden getroffen ter bescherming van de operator die zijn gebaseerd op een schatting van de blootstelling onder praktijkomstandigheden (rekening houdend met alle fasen van de bedrijfscyclus, zoals de tijdsduur gedurende welke het gereedschap is uitgeschakeld en stationair draait, naast de ingeschakelde tijdsduur).

Alleen voor Europese landen ENH101-16

EU-verklaring van conformiteit

Wij, Makita Corporation, als de verantwoordelijke fabrikant, verklaren dat de volgende Makita-machine(s):

Aanduiding van de machine:

Stempelslijpmachine

Modelnr./Type: GD0601

in serie is geproduceerd en

Voldoet aan de volgende Europese richtlijnen:

2006/42/EC

En is gefabriceerd in overeenstemming met de volgende normen of genormaliseerde documenten:

EN60745

De technische documentatie wordt bewaard door:

Makita International Europe Ltd.

Technical Department,

Michigan Drive, Tongwell,

Milton Keynes, Bucks MK15 8JD, Engeland

30. 1. 2009



Tomoyasu Kato

Directeur

Makita Corporation

3-11-8, Sumiyoshi-cho,

Anjo, Aichi, 446-8502, JAPAN

ESPAÑOL (Instrucciones originales)

Explicación de los dibujos

1. Interruptor deslizante
2. Llave 13
3. Tuerca de pinza
4. Llave 13
5. Empuñadura lateral

ESPECIFICACIONES

Modelo	GD0601
Capacidad máxima de la pinza	6 mm o 6,35 mm (1/4")
Diámetro máximo de la muela	38 mm
R.p.m. vacío (n ₀)/R.p.m. nominal (n)	25.000 min ⁻¹
Longitud total	359 mm
Peso neto	1,7 kg
Clase de seguridad	□/II

- Debido a nuestro programa continuo de investigación y desarrollo, las especificaciones aquí descritas están sujetas a cambios sin previo aviso.
- Las especificaciones pueden ser diferentes de un país a otro.
- Peso de acuerdo con el procedimiento EPTA 01/2003

Uso previsto ENF050-1

Esta herramienta está diseñada para amolar materiales féreos o desbarbar piezas moldeadas.

Alimentación ENF002-2

La herramienta debe conectarse solamente a una fuente de alimentación de la misma tensión que la indicada en la placa de características, y sólo puede funcionar con corriente alterna monofásica. La herramienta cuenta con un doble aislamiento y puede, por lo tanto, usarse también en tomacorrientes sin conductor de tierra.

Advertencias de seguridad generales para herramientas eléctricas

GEA010-1

⚠ ADVERTENCIA Lea todas las advertencias de seguridad y todas las instrucciones. La no observancia de las advertencias y las instrucciones puede provocar descargas eléctricas, incendios y/o lesiones graves.

Guarde todas las advertencias e instrucciones para futuras consultas.

ADVERTENCIAS DE SEGURIDAD DE LA AMOLADORA RECTA

GEB034-7

Advertencias de seguridad para operaciones de amolado:

1. Esta herramienta eléctrica está prevista para ser utilizada como amoladora. Lea todas las advertencias de seguridad, instrucciones, ilustraciones y especificaciones que acompañan a esta herramienta eléctrica. No seguir todas las instrucciones que se indican a continuación podría provocar una descarga eléctrica, incendio y/o heridas graves.
2. No se recomienda utilizar esta herramienta eléctrica para operaciones tales como lijar, cepillar con alambre, pulir o cortar. El uso de la herramienta eléctrica en aplicaciones para las cuales no ha sido diseñada puede generar peligros y ocasionar daños personales.
3. No utilice accesorios diferentes de aquellos que el fabricante haya diseñado o recomendado especialmente para esta herramienta. El hecho de que el accesorio pueda montarse en la herramienta eléctrica no garantiza que sea seguro.
4. Las revoluciones nominales del accesorio deben ser como mínimo iguales a la velocidad máxima indicada en la herramienta eléctrica. Si un accesorio se mueve a una velocidad mayor a la admisible, podría romperse y salir despedido.
5. El diámetro exterior y el grosor del accesorio deben encontrarse dentro de la capacidad de la herramienta eléctrica. Los accesorios de tamaño incorrecto no pueden protegerse ni controlarse correctamente.
6. No utilice accesorios dañados. Antes de empezar a utilizar los accesorios, tales como discos abrasivos, compruebe que no estén astillados ni agrietados. Si se cae la herramienta eléctrica o el accesorio, compruebe si ha sufrido algún daño o monte un accesorio en buen estado. Una vez revisado y montado un accesorio, colóquense usted y las personas circundantes fuera del plano de rotación del accesorio y deje funcionar la herramienta eléctrica en vacío a velocidad máxima durante un minuto. Por norma general, los accesorios que están dañados se rompen durante este tipo de prueba.
7. Utilice equipo de protección personal. Dependiendo del trabajo, utilice una careta, protección para los ojos o gafas de seguridad. Si fuera necesario, utilice una mascarilla antipolvo, protectores auditivos, guantes y un mandil adecuado para protegerse de los pequeños fragmentos que pudieran salir proyectados. Las gafas de protección deberán ser indicadas para detener los pequeños fragmentos que pudieran salir

proyectados al trabajar. La mascarilla antipolvo o respiratoria debe ser apta para filtrar las partículas producidas al trabajar. Una exposición prolongada al ruido puede producir pérdidas auditivas.

8. **Encárguese de que todas las personas se mantengan a suficiente distancia de la zona de trabajo. Toda persona que acceda a la zona de trabajo deberá utilizar equipo de protección personal.** Podría sufrir daños, incluso fuera del área de trabajo inmediata, al salir proyectados fragmentos de la pieza de trabajo o del accesorio.
9. **Sujete la herramienta eléctrica sólo por las superficies de agarre aisladas al realizar una operación en que el accesorio de corte pueda entrar en contacto con cables ocultos o con su propio cable.** Si entra en contacto con un cable con corriente, puede que las piezas metálicas expuestas de la herramienta eléctrica se carguen también de corriente y que el operario reciba una descarga.
10. **Mantenga el cable alejado del accesorio en funcionamiento.** En caso de perder el control, el cable de red podría enredarse o cortarse con el accesorio y arrastrar de esta forma su mano hacia el mismo.
11. **Jamás deposite la herramienta eléctrica hasta que el accesorio se haya detenido por completo.** El accesorio en funcionamiento podría entrar en contacto con la superficie de apoyo y hacerle perder el control sobre la herramienta eléctrica.
12. **No deje funcionar la herramienta eléctrica mientras la transporta.** El accesorio en funcionamiento podría ocasionarle daños personales al engancharse accidentalmente en su vestimenta.
13. **Limpie periódicamente los orificios de ventilación de la herramienta.** El ventilador del motor aspira polvo hacia el interior de la carcasa y, en caso de acumularse un exceso de polvo metálico, podría provocar una descarga eléctrica.
14. **No utilice la herramienta eléctrica cerca de materiales inflamables.** Las chispas podrían inflamarlos.
15. **No emplee accesorios que requieran ser refrigerados con líquidos.** El uso de agua u otros refrigerantes líquidos puede provocar una descarga o electrocución.
16. **Contragolpes y advertencias al respecto**

El contragolpe es una reacción brusca que se produce al atascarse o engancharse un disco, un plato de fijación, un cepillo de alambre u otro accesorio. Al engancharse o pellizcarse el accesorio en funcionamiento, éste es frenado bruscamente y puede hacer perder el control sobre la herramienta eléctrica, impulsándola en la dirección opuesta al sentido de giro que tenía el accesorio en el momento de agarrotarse.

Por ejemplo, si un disco abrasivo se atasca o engancha en la pieza de trabajo, puede suceder que el borde del accesorio que entra en el material quede bloqueado, provocando la rotura del accesorio o un contragolpe. Según el sentido de giro del disco en el momento de bloquearse, puede que éste resulte despedido en dirección al operario o en sentido opuesto. En este caso también puede suceder que los discos abrasivos se rompan.

El contragolpe es el resultado de un mal uso de la herramienta eléctrica o de condiciones o procedimientos de uso incorrectos y se puede evitar tomando las precauciones que se indican a continuación.

- a) **Sujete con firmeza la herramienta eléctrica y mantenga su cuerpo y brazos en una posición que le permita resistir los contragolpes. Si forma parte del equipo, utilice siempre la empuñadura auxiliar para poder controlar mejor las fuerzas derivadas del contragolpe o los pares de reacción durante la puesta en marcha.** El operario puede controlar los pares de reacción y las fuerzas derivadas del contragolpe si toma las medidas oportunas.
 - b) **Jamás aproxime la mano al accesorio en funcionamiento.** En caso de contragolpe el accesorio podría dañarle la mano.
 - c) **No se coloque en el área hacia donde se movería la herramienta eléctrica en caso de contragolpe.** En caso de contragolpe la herramienta saldrá rechazada en sentido opuesto al movimiento del disco.
 - d) **Preste especial atención al trabajar en esquinas, bordes afilados, etc. Evite que el accesorio rebote o se atasque.** En las esquinas, bordes afilados, o al rebotar, el accesorio en funcionamiento tiende a atascarse y puede provocar la pérdida de control o un contragolpe.
 - e) **No utilice discos de sierra para maderas ni otros accesorios dentados.** Estos accesorios son propensos al contragolpe y pueden hacerle perder el control.
17. **Advertencias de seguridad específicas para amolar:**
 - a) **Utilice solamente discos del tipo recomendado para esta herramienta eléctrica.**
 - b) **Utilice el disco solamente en aquellos trabajos para los que fue concebido. Por ejemplo: no emplee las caras de un disco de corte para amolar.** Los discos de corte abrasivos están previstos para amolar utilizando su periferia; la aplicación de fuerzas en sus caras puede hacer que se rompan.
 - c) **No utilice discos gastados de herramientas eléctricas de mayor tamaño.** Los discos destinados a una herramienta eléctrica más grande no son aptos para soportar la mayor velocidad de las herramientas más pequeñas y podrían romperse.
 18. **Advertencias de seguridad adicionales:**
 18. **Agárrese de que el disco no esté tocando la pieza de trabajo antes de activar el interruptor.**
 19. **Antes de utilizar la herramienta en la pieza de trabajo definitiva, déjela funcionar durante un rato. Esté atento por si se producen vibraciones u oscilaciones, lo que indicaría que el disco no se ha instalado correctamente o que está mal equilibrado.**
 20. **Para realizar las tareas de amolado, use la superficie del disco especificada.**
 21. **Tenga cuidado con las chispas que saltan. Sostenga la herramienta de modo que las chispas no salten hacia usted ni hacia otras personas o materiales inflamables.**
 22. **No deje la herramienta encendida. Póngala en marcha solamente cuando la tenga en las manos.**

23. **No toque la pieza de trabajo inmediatamente después de la tarea, ya que puede estar extremadamente caliente y producir quemaduras en la piel.**
24. **Asegúrese siempre de apagar y desenchufar la herramienta y de extraer el cartucho de la batería antes de intentar realizar cualquier tipo de operación en la herramienta.**
25. **Observe las instrucciones del fabricante para montar y utilizar correctamente los discos. Maneje y guarde con cuidado los discos.**
26. **Compruebe que la pieza de trabajo esté bien sujeta.**
27. **Si el lugar de trabajo es muy caluroso y húmedo, o si está muy contaminado con polvo conductor, utilice un disyuntor de cortocircuito (30 mA) para garantizar la seguridad del operario.**
28. **No utilice la herramienta con ningún material que contenga amianto.**
29. **Esta herramienta no es impermeable; por lo tanto, no ponga agua en la superficie de la pieza de trabajo.**
30. **Asegúrese de que las aberturas de ventilación estén despejadas cuando trabaje en condiciones polvorientas. Si fuera necesario eliminar el polvo, desconecte primero la herramienta de la fuente de alimentación (utilice objetos que no sean metálicos) y procure no estropear las piezas internas.**
31. **Asegúrese de encontrarse siempre en una posición bien equilibrada. Si utiliza la herramienta en una ubicación elevada, asegúrese de que nadie se encuentre debajo.**

GUARDE ESTAS INSTRUCCIONES.

ADVERTENCIA:

NO deje que la comodidad o la familiaridad con el producto (a base de utilizarlo repetidamente) sustituya la estricta observancia de las normas de seguridad del producto en cuestión. El MAL USO o la no observancia de las normas de seguridad expuestas en este manual de instrucciones pueden ocasionar graves daños corporales.

DESCRIPCIÓN DEL FUNCIONAMIENTO

PRECAUCIÓN:

- Asegúrese siempre de que la herramienta esté apagada y desenchufada antes de intentar realizar cualquier tipo de ajuste o comprobación en ella.

Funcionamiento del interruptor (Fig. 1)

PRECAUCIÓN:

- Antes de enchufar la herramienta, asegúrese siempre de que el interruptor deslizante funcione como es debido y que vuelva a la posición "OFF" (apagado) al ejercer presión sobre la parte posterior del interruptor deslizante.

Para poner la herramienta en marcha, deslice el interruptor deslizante hasta la posición "I (Encendido)".

Para un uso continuo, presione la parte delantera del interruptor deslizante para bloquearlo. Para detener la herramienta, presione la parte posterior del interruptor deslizante y, a continuación, deslícelo hacia la posición "O (Apagado)".

MONTAJE

PRECAUCIÓN:

- Asegúrese siempre de que la herramienta esté apagada y desenchufada antes de intentar realizar cualquier trabajo en ella.

Instalación o extracción de la muela (Fig. 2 y 3)

Afloje la tuerca de pinza e inserte la muela en la tuerca de pinza. Utilice una llave para sujetar el eje y otra llave para apretar la tuerca de pinza firmemente.

La muela no debe montarse a más de 8 mm desde la tuerca de pinza. Si se sobrepasa la distancia se pueden producir vibraciones o se puede romper el eje.

Para extraer la muela, siga el procedimiento de instalación en orden inverso.

PRECAUCIÓN:

- Utilice el tamaño correcto del cono del collar para la muela que va a usar.

Empuñadura lateral (accesorio opcional) (Fig. 4)

Cuando utilice la empuñadura lateral, extraiga el protector de goma, inserte la empuñadura lateral en el portaherramientas y gírela lo máximo posible hasta el ángulo deseado. A continuación, apriete la empuñadura firmemente girándola en el sentido de las agujas del reloj.

PRECAUCIÓN:

- Cuando utilice la herramienta sin empuñadura, monte siempre el protector de goma en la herramienta.
- Cuando monte el protector de goma, empújelo para insertarlo en la herramienta hasta que el saliente de la goma encaje en la ranura de la herramienta.

MANEJO (Fig. 5)

Encienda la herramienta sin que la muela esté en contacto con la pieza de trabajo y espere hasta que la muela alcance la velocidad máxima. A continuación, aplique la muela a la pieza de trabajo suavemente. Para lograr un buen acabado, mueva la herramienta hacia la izquierda lentamente.

PRECAUCIÓN:

- Aplique una ligera presión sobre la herramienta. Una presión excesiva sobre la herramienta sólo logrará un pobre acabado y una sobrecarga del motor.

MANTENIMIENTO

PRECAUCIÓN:

- Asegúrese siempre de que la herramienta esté apagada y desenchufada antes de intentar realizar cualquier trabajo de inspección o mantenimiento en ella.

- Nunca utilice gasolina, benceno, disolvente, alcohol o un producto similar. Se puede provocar una decoloración, una deformación o grietas.

Para conservar la SEGURIDAD y la FIABILIDAD del producto, los trabajos de reparación, la inspección y el reemplazo de las escobillas de carbón, y otros trabajos de mantenimiento y ajuste deberán ser realizados en centros de servicio autorizados de Makita, utilizando siempre repuestos Makita.

ACCESORIOS OPCIONALES

PRECAUCIÓN:

- Se recomienda el uso de estos accesorios o complementos con la herramienta Makita especificada en este manual. El uso de otros accesorios o complementos puede conllevar el riesgo de ocasionar daños corporales. Utilice los accesorios o complementos solamente para su fin establecido.

Si necesita cualquier ayuda para obtener más información relativa a estos accesorios, pregunte a su centro de servicio Makita local.

- Muelas
- Conjunto de conos del collar (3 mm, 6 mm, 1/4", 1/8")
- Llave 13
- Conjunto de la empuñadura lateral

NOTA:

- Algunos elementos de la lista se pueden incluir en el paquete de la herramienta como accesorios estándar. Pueden ser diferentes de un país a otro.

Ruido ENG905-1

Niveles típicos de ruido ponderado A determinados conforme a EN60745:

Nivel de presión de sonido (L_{pA}): 75 dB (A)

Incertidumbre (K): 3 dB (A)

El nivel de ruido durante el trabajo puede superar los 80 dB (A).

Utilice protección para los oídos.

Vibración ENG900-1

Valor total de la vibración (suma de vectores triaxiales) determinado según el estándar EN60745:

Modo de trabajo: amolado de superficies

Emisión de vibraciones ($a_{h,SG}$): 2,5 m/s² o menos

Incertidumbre (K): 1,5 m/s²

ENG902-1

- El valor de emisión de vibraciones se ha medido de acuerdo con el método de prueba estándar y se puede utilizar para comparar herramientas.
- El valor de emisión de vibraciones declarado también se puede usar en una evaluación preliminar de la exposición.
- El valor de emisión de vibraciones declarado se usa para las aplicaciones principales de la herramienta eléctrica. No obstante, si se utiliza la herramienta eléctrica para otras aplicaciones, el valor de emisión de vibraciones puede ser diferente.

ADVERTENCIA:

- La emisión de vibraciones durante el uso de la herramienta eléctrica puede diferir del valor de emisiones declarado, dependiendo de las formas en que se utiliza la herramienta.

- Asegúrese de identificar las mediciones correctas para proteger al operario, que se basan en una estimación de la exposición en condiciones de uso reales (teniendo en cuenta todas las partes del ciclo de operaciones, como los momentos en los que la herramienta está apagada y cuando funciona al ralentí además del tiempo en que está activado el interruptor).

Sólo para países europeos

ENH101-16

Declaración de conformidad de la CE

Nosotros, Makita Corporation, en calidad de fabricante responsable, declaramos que las siguientes máquinas Makita

Designación de la máquina:

Amoladora recta

Nº de Modelo/Tipo: GD0601

son de producción serie y

Cumplen con las siguientes Directivas europeas:

2006/42/CE

Y se han fabricado de acuerdo con los siguientes estándares o documentos estandarizados:

EN60745

La documentación técnica la conserva:

Makita International Europe Ltd.

Technical Department,

Michigan Drive, Tongwell,

Milton Keynes, Bucks MK15 8JD, Inglaterra

30. 1. 2009



Tomoyasu Kato

Director

Makita Corporation

3-11-8, Sumiyoshi-cho,

Anjo, Aichi, 446-8502, JAPAN

PORTUGUÊS (Instruções de origem)

Descrição geral

1. Interruptor deslizante
2. Chave 13
3. Porca de aperto
4. Chave 13
5. Pega lateral

ESPECIFICAÇÕES

Modelo	GD0601
Capacidade máxima de aperto	6 ou 6,35 mm (1/4")
Diâmetro máximo do ponto da roda	38 mm
Velocidade sem carga (n_0)/Velocidade nominal (n)	25.000 min ⁻¹
Comprimento total	359 mm
Peso líquido	1,7 kg
Classe de segurança	□/II

- Devido à pesquisa e desenvolvimento constantes, estas especificações estão sujeitas a alteração sem aviso prévio.
- Estas especificações podem diferir de país para país.
- Peso de acordo com procedimento EPTA de 01/2003

Utilização prevista ENE050-1

A ferramenta destina-se a afiar materiais ferrosos ou limar moldes.

Fonte de alimentação ENF002-2

A ferramenta apenas deve ser ligada a uma fonte de alimentação da mesma tensão que a indicada na chapa de especificações, e apenas pode funcionar com uma alimentação CA monofásica. Estão blindadas duplamente e podem, assim, ser igualmente ligadas a tomadas sem fio terra.

Avisos gerais de segurança para ferramentas eléctricas GEA010-1

⚠ AVISO Leia todos os avisos de segurança e todas as instruções. O não cumprimento dos avisos e instruções pode resultar na ocorrência de choques eléctricos, incêndios e/ou ferimentos graves.

Guarde todos os avisos e instruções para referência futura.

AVISOS DE SEGURANÇA PARA A RECTIFICADORA RECTA GEB034-7

Avisos de segurança comuns a operações que envolvem afiar:

1. Esta ferramenta eléctrica destina-se a funcionar como rectificadora. Leia todos os avisos, instruções, ilustrações e especificações de segurança fornecidos juntamente com a ferramenta. Caso não siga todas as instruções indicadas em baixo, poderão ocorrer choques eléctricos, incêndios e/ou ferimentos graves.
2. Não é recomendada a utilização desta ferramenta eléctrica para determinadas operações, como, por exemplo, lixar, escovar com arame, polir ou cortar. Operações para as quais a ferramenta não foi concebida podem criar perigos e causar ferimentos pessoais.
3. Não utilize acessórios que não sejam especificamente concebidos e recomendados pelo fabricante da ferramenta. Mesmo que o acessório encaixe na ferramenta, isso não garante uma operação segura.
4. A velocidade nominal do acessório deve ser no mínimo igual à velocidade máxima marcada na ferramenta. Os acessórios a funcionar mais rapidamente do que a velocidade nominal podem quebrar e sair projectados.
5. O diâmetro exterior e a espessura do acessório deve estar dentro da capacidade nominal da ferramenta. Os acessórios com tamanhos incorrectos não podem ser guardados ou controlados adequadamente.
6. Não utilize um acessório danificado. Inspeccione o acessório antes de cada utilização, por exemplo, verifique se as rodas abrasivas estão lascadas ou rachadas. Se a ferramenta ou acessório cair, inspeccione para a existência de danos ou instale um acessório não danificado. Depois de inspeccionar e instalar um acessório, afaste-se e afaste outras pessoas na proximidade do plano do acessório rotativo e ligue a ferramenta eléctrica na velocidade máxima sem carga durante um minuto. Normalmente, os acessórios danificados partem-se durante este teste.
7. Use equipamento pessoal de protecção. Consoante a aplicação, use protecção para a cara ou óculos de segurança. Use máscara de pó, protectores auditivos, luvas e avental adequados, capazes de parar pequenos fragmentos abrasivos ou da peça de trabalho. A protecção dos olhos deve ser capaz de parar detritos projectados gerados por várias utilizações. A máscara de pó ou respirador deve conseguir filtrar partículas geradas pela operação que estiver a efectuar. Uma exposição prolongada a eúvior de alta intensidade pode causar perda de audição.
8. Mantenha as pessoas presentes a uma distância segura da área de trabalho. Qualquer pessoa que entre na área de trabalho deve usar equipamento pessoal de protecção. Os fragmentos da peça de

trabalho ou de um acessório partido podem ser projectados e causar ferimentos para além da área imediata da operação.

9. **Quando executar operações em que acessórios de corte possam entrar em contacto com fios eléctricos ocultos ou com próprio cabo eléctrico da ferramenta, tenha o cuidado de tocar apenas nas superfícies isoladas desses acessórios.** O acessório de corte em contacto com um fio eléctrico ligado à corrente pode electrificar as peças de metal da ferramenta e provocar um choque.
10. **Posicione o cabo eléctrico longe do acessório rotativo.** Se perder o controlo, o cabo eléctrico pode ser cortado ou movimentado bruscamente e a sua mão ou braço podem ser puxados para o acessório rotativo.
11. **Nunca pouse a ferramenta antes do acessório parar por completo.** O acessório rotativo pode apanhar a superfície e fazê-lo perder o controlo da ferramenta.
12. **Não ligue a ferramenta enquanto a leva na mão junto ao corpo.** O contacto accidental com o acessório rotativo pode arrancar a sua roupa, puxando o acessório para o corpo.
13. **Limpe regularmente as aberturas de ventilação da ferramenta.** A ventoinha do motor atrairá o pó para dentro da caixa e acumulação excessiva de metal em pó pode causar perigos eléctricos.
14. **Não utilizar a ferramenta perto de materiais inflamáveis.** As faíscas podem acender esses materiais.
15. **Não utilizar acessórios que requeiram arrefecedores líquidos.** Usar água ou outro líquido arrefecedor poderá resultar em electrocussão ou choque.
16. **Recuo e avisos relacionados**
O recuo é uma reacção súbita à obstrução ou emperramento de uma roda giratória, almofada de suporte, escova ou qualquer outro acessório. Pressionar ou mover bruscamente causa um rápido bloqueio do acessório rotativo, o que por sua vez faz com que a ferramenta descontrolada seja forçada na direcção oposta à da rotação do acessório ao ponto de empeno.
Por exemplo, se uma roda abrasiva ficar presa na peça de trabalho, a extremidade da roda introduzida no ponto de encravamento pode enterrar-se na superfície do material, fazendo com que a roda saia e volte para trás. O disco pode saltar em direcção ao operador ou na direcção oposta, consoante o movimento no ponto de perfuração. Os discos abrasivos podem também quebrar nestas condições. O recuo é o resultado da má utilização da ferramenta eléctrica e/ou procedimentos de funcionamento incorrectos e pode ser evitado tomando as devidas precauções, tal como indicado em baixo.
 - a) **Segure firmemente na ferramenta e posicione o corpo e o braço de forma a resistir às forças do recuo. Se fornecida, utilize sempre uma pega auxiliar para um controlo máximo sobre o recuo ou reacção de força durante o início.** Se tomar medidas de precaução adequadas, o operador pode controlar as reacções de força ou de recuo.

b) **Nunca posicione a mão perto do acessório rotativo.** O acessório pode recuar sobre a sua mão.

c) **Não posicione o corpo na área para onde a ferramenta se moverá se ocorrer um recuo.** O recuo projectará a ferramenta na direcção oposta ao movimento da roda, no ponto de movimento brusco.

d) **Tenha especial atenção ao trabalhar cantos, extremidades afiadas, etc. Evite fazer ressaltar e movimentar bruscamente o acessório.** Os cantos, extremidades afiadas ou ressaltos têm uma tendência de movimentar bruscamente o acessório rotativo e causam perda de controlo ou recuo.

e) **Não colocar uma serra de cortar madeira ou uma serra dentada.** Tais lâminas criam recuos frequentes e perda de controlo.

17. **Avisos de segurança específicos para operações que envolvem afiar:**

a) **Utilize apenas os tipos de roda recomendados para a ferramenta eléctrica.**

b) **As rodas devem ser usadas apenas para as aplicações recomendadas. Por exemplo: não afie com o lado do disco de corte.** Os discos de corte abrasivos têm como fim afiar perifericamente, se aplicar forças laterais a estes discos pode parti-los.

c) **Não usar rodas desgastadas de ferramentas maiores.** Um disco destinado a ferramentas maiores não é apropriado à velocidade superior de uma ferramenta mais pequena, podendo rebentar.

Avisos de segurança adicionais:

18. **Certifique-se de que o disco não está em contacto com a peça de trabalho antes de ligar o interruptor.**
19. **Antes de utilizar a ferramenta numa peça de trabalho, deixe-a a trabalhar durante algum tempo. Procure a existência de vibrações ou oscilações que possam indicar uma má fixação ou um disco mal equilibrado.**
20. **Utilize a superfície especificada do disco para afiar.**
21. **Tenha cuidado com as faíscas. Segure a ferramenta de forma a que as faíscas sejam projectadas para longe de si e de outras pessoas ou materiais inflamáveis.**
22. **Não abandone a ferramenta a funcionar. Ponha-a a funcionar apenas quando estiver a segurá-la.**
23. **Não toque na peça de trabalho logo após a operação, uma vez que pode estar demasiado quente e provocar queimaduras.**
24. **Certifique-se sempre de que a ferramenta está desligada ou a bateria removida, antes de efectuar qualquer operação com acessórios.**
25. **Cumpra as instruções do fabricante sobre a instalação e utilização correctas das rodas. Manuseie e guarde os discos com cuidado.**
26. **Verifique se a peça de trabalho está bem suportada.**
27. **Se o local de trabalho for extremamente quente e húmido ou muito poluído pelo pó, utilize um disjuntor (30 mA) para garantir a segurança do operador.**
28. **Não utilize a ferramenta ou quaisquer materiais que contenham amianto.**

29. Esta ferramenta não é à prova de água, pelo que não deverá utilizar água na superfície da peça de trabalho.
30. Certifique-se de que as aberturas de ventilação são mantidas limpas quando trabalhar em condições de muito pó. Se for necessário limpar primeiro o pó, desligue primeiro a ferramenta da fonte de alimentação (utilize objectos não metálicos) e evite danificar as peças internas.
31. Procure uma posição em pé estável e firme. Se utilizar a ferramenta em locais altos, verifique se não há ninguém por baixo.

GUARDE ESTAS INSTRUÇÕES.

AVISO:

NÃO deixe que o conforto ou familiaridade com o produto (obtida de uma utilização regular) substituam um cumprimento severo das regras de segurança do produto em causa. Uma UTILIZAÇÃO INCORRECTA ou não cumprimento das regras de segurança indicadas neste manual de instruções podem provocar ferimentos pessoais sérios.

DESCRIÇÃO DO FUNCIONAMENTO

PRECAUÇÃO:

- Certifique-se sempre de que a ferramenta está desligada e com o fio desligado da corrente antes de proceder a ajustamentos ou testar a ferramenta.

Ação do interruptor (Fig. 1)

PRECAUÇÃO:

- Antes de ligar a ferramenta, verifique sempre se o interruptor deslizante está a funcionar correctamente e se volta à posição "OFF" (desligada) quando é premida a parte de trás do interruptor deslizante.

Para ligar a ferramenta, mova o interruptor deslizante para a posição "I" (ligada). Para uma utilização contínua, prima a parte da frente do interruptor deslizante para o bloquear.

Para desligar a ferramenta, prima a parte de trás do interruptor deslizante, depois mova-o para a posição "O" (desligada).

MONTAGEM

PRECAUÇÃO:

- Certifique-se sempre de que a ferramenta está desligada e com o fio desligado da corrente antes de efectuar qualquer trabalho com a ferramenta.

Instalar ou retirar o ponto da roda (Fig. 2 e 3)

Desaperte a porca de aperto e introduza o ponto da roda na porca de aperto. Utilize uma chave para fixar o veio e outra para apertar bem a porca de aperto.

O ponto da roda não deve ser instalado a mais de 8 mm da porca de aperto. Exceder esta distância poderia causar vibrações ou um veio quebrado.

Para remover o ponto da roda, siga o procedimento inverso de instalação.

PRECAUÇÃO:

- Utilize o tamanho correcto de cone de aperto para o ponto da roda que pretende utilizar.

Pega lateral (acessório opcional) (Fig. 4)

Quando utilizar a pega lateral, retire o protector de borracha, introduza a pega lateral no cano da ferramenta ao máximo e rode-a para o ângulo pretendido. De seguida, aperte bem a pega rodando no sentido dos ponteiros do relógio.

PRECAUÇÃO:

- Quando utilizar a ferramenta sem pega, instale sempre o protector de borracha na ferramenta.
- Quando instalar a protecção de borracha, empurre-a sempre para a ferramenta até que a saliência no interior da borracha encaixe nas ranhuras na ferramenta.

FUNCIONAMENTO (Fig. 5)

Ligue a ferramenta sem que o ponto da roda entre em contacto com a peça de trabalho e aguarde até que o ponto da roda atinja a velocidade total. De seguida, aplique suavemente o ponto da roda à peça de trabalho. Para obter um bom acabamento, mova lentamente a ferramenta para a esquerda.

PRECAUÇÃO:

- Aplique uma pressão leve na ferramenta. Uma pressão excessiva na ferramenta apenas causaria um mau acabamento e sobrecarga do motor.

MANUTENÇÃO

PRECAUÇÃO:

- Certifique-se sempre de que a ferramenta está desligada e o fio desligado da corrente antes de inspeccionar ou fazer a manutenção da ferramenta.
- Nunca utilize gasolina, benzina, diluente, álcool ou semelhante. Podem formar-se descolorações, deformações ou fissuras.

Para manter os níveis de SEGURANÇA e FIABILIDADE, as reparações, inspecção e substituição das escovas de carvão e outras operações de manutenção ou ajuste devem ser executadas por centros de assistência Makita autorizados e, no caso de substituição de peças, estas devem ser igualmente Makita.

ACESSÓRIOS OPCIONAIS

PRECAUÇÃO:

- Os seguintes acessórios ou extensões são os recomendados para utilizar com a ferramenta Makita especificada neste manual. A utilização de quaisquer outros acessórios poderá representar um risco de ferimento para as pessoas. Apenas utilize o acessório para o fim indicado.

Se precisar de informações adicionais relativas aos acessórios, contacte o centro local de assistência Makita.

- Pontos da roda
- Conjunto de cone de aperto (3 mm, 6 mm, 1/4", 1/8")
- Chave 13
- Conjunto da pega lateral

NOTA:

- Alguns itens na lista podem estar incluídos no pacote de ferramentas como acessórios de série. Podem diferir de país para país.

Ruído

ENG905-1

Os níveis acústicos ponderados A típicos foram determinados segundo a EN60745:

Nível de pressão sonora (L_{pA}): 75 dB (A)

Incerteza (K): 3 dB (A)

O nível de ruído quando em funcionamento pode exceder os 80 dB (A).

Use protecção para os ouvidos.**Vibração**

ENG900-1

O valor total da vibração (soma triaxial de vectores) foi determinado segundo a EN60745:

Modo de trabalho: afiar à superfície

Emissão de vibração ($a_{h,SG}$): 2,5 m/s² ou menos

Incerteza (K): 1,5 m/s²

ENG902-1

- O valor da emissão de vibração declarado foi medido de acordo com o método de teste padrão e pode ser utilizado para comparar uma ferramenta com outra.
- O valor da emissão de vibração declarado pode também ser utilizado numa avaliação preliminar de exposição.
- O valor da emissão de vibração declarado é utilizado para as aplicações principais da ferramenta eléctrica. No entanto, se a ferramenta eléctrica for utilizada para outras aplicações, o valor da emissão de vibração pode ser diferente.

⚠ AVISO:

- A emissão de vibração durante a utilização real da ferramenta eléctrica pode ser diferente do valor de emissão declarado, dependendo da forma como a ferramenta é utilizada.
- Certifique-se de que identifica medidas de segurança, para proteger o operador, que são baseadas numa estimativa de exposição nas condições reais de utilização (tendo em conta todas as partes do ciclo de funcionamento, como as vezes que a ferramenta é desligada e quando está a trabalhar ao ralenti, além do tempo de utilização).

Apenas para os países europeus

ENH101-16

Declaração de conformidade CE

Nós, a Makita Corporation, como fabricante responsável, declaramos que a(s) máquina(s) Makita seguinte(s):

Designação da máquina:

Rectificadora recta

Nº de modelo/Tipo: GD0601

são produzidas em série e

Está em conformidade com as Directivas Europeias seguintes:

2006/42/EC

E são fabricadas de acordo com as normas ou os documentos padronizados seguintes:

EN60745

A documentação técnica é mantida por:

Makita International Europe Ltd.
Technical Department,
Michigan Drive, Tongwell,
Milton Keynes, Bucks MK15 8JD, Inglaterra

30. 1. 2009



Tomoyasu Kato
Director

Makita Corporation
3-11-8, Sumiyoshi-cho,
Anjo, Aichi, 446-8502, JAPAN

DANSK (Originalvejledning)

- | | | |
|------------------|-----------------------|----------------|
| 1. Glidekontakt | 3. Spændepatronmøtrik | 5. Sidehåndtag |
| 2. Skrueøjgle 13 | 4. Skrueøjgle 13 | |

Forklaring til generel oversigt

SPECIFIKATIONER

Model	GD0601
Maks. spændekapacitet	6 mm eller 6,35 mm (1/4")
Maks. diameter af slibestift	38 mm
Hastighed uden belastning (n_0)/nominel hastighed (n)	25.000 min ⁻¹
Længde i alt	359 mm
Nettovægt	1,7 kg
Sikkerhedsklasse	□/II

- På grund af vores løbende forsknings- og udviklingsprogram kan specifikationerne heri ændres uden forudgående varsel.
- Specifikationerne kan variere fra land til land.
- Vægt i henhold til EPTA-procedure 01/2003

Tilsigtet anvendelse ENE050-1

Værktøjet er beregnet til slibning i jernholdige materialer eller i afgratningsstøbninger.

Strømforsyning ENF002-2

Værktøjet bør kun slutes til en strømforsyning med den spænding, der er angivet på mærkepladen, og det kan kun benyttes med enkelfaset vekselstrøm. Det er dobbelt isoleret og kan derfor også slutes til stikkontakter uden jordforbindelse.

Generelle sikkerhedsadvarsler for maskiner GEA010-1

⚠ ADVARSEL Læs alle sikkerhedsadvarsler og alle instruktioner. Hvis De ikke følger alle advarsler og instruktioner, kan det medføre elektrisk stød, brand og/eller alvorlig personskade.

Gem alle advarsler og instruktioner til senere reference.

SIKERHEDSADVARSLER FOR LIGESLIBER GEA034-7

Fælles sikkerhedsadvarsler for afslibning:

1. Denne maskine er beregnet til anvendelse som en sliber. Læs alle sikkerhedsadvarsler, instruktioner, illustrationer og specifikationer, der følger med maskinen. Hvis du ikke følger alle instruktionerne nedenfor, kan det medføre elektrisk stød, brand og/eller alvorlig personskade.
2. Det anbefales ikke at benytte maskinen til formål som f.eks. sandslibning, trådbørstning, polering eller vinkelslibning. Anvendelser, som maskinen ikke er beregnet til, kan udgøre en risiko og medføre personskade.
3. Undlad at benytte tilbehør, som ikke er specielt udviklet og anbefalet af værktøjsproducenten.

Selvom tilbehøret kan monteres på maskinen, er anvendelsen ikke nødvendigvis sikker.

4. **Tilbehørets nominelle hastighed skal være mindst lig med den maksimale hastighed, der er angivet på maskinen.** Tilbehør, der kører hurtigere end dets nominelle hastighed, kan gå i stykker og blive slynget bort.
5. **Tilbehørets udvendige diameter og tykkelse skal overholde maskinens kapacitet.** Tilbehør med forkert størrelse kan ikke fastgøres eller kontrolleres korrekt.
6. **Undlad brug af beskadiget tilbehør. Kontroller tilbehør som f.eks. slibeskiver for flænger og revner, hver gang det skal benyttes.** Hvis du taber maskinen eller tilbehøret, skal du se efter for beskadigelser eller montere ubeskadiget tilbehør. Efter kontrol og montering af tilbehør skal du placere dig selv og tilskuere væk fra tilbehørets drejningsplan og lade maskinen køre ved maksimal hastighed uden belastning i et minut. Beskadiget tilbehør vil normalt gå i stykker inden for denne testperiode.
7. **Bær personligt sikkerhedsudstyr. Afhængigt af anvendelsen skal du bære ansigtsskærm, beskyttelsesbriller eller sikkerhedsbriller. Bær om nødvendigt støvmaske, høreværn, handsker og arbejdsforklæde, der kan stoppe små slibningsstykker eller stumper af arbejdsmetallet.** Øjenbeskyttelsen skal kunne stoppe flyvende stumper, der frembringes ved forskellige anvendelser. Støvmasken eller åndedrætsbeskyttelsen skal kunne filtrere partikler, der frembringes ved anvendelsen. Længerevarende udsættelse for kraftig støj kan medføre høreskader.
8. **Hold andre tilstedeværende på sikker afstand af arbejdsområdet. Alle, der kommer ind i arbejdsområdet, skal bære personligt sikkerhedsudstyr.** Dele af arbejdsmetallet eller ødelagt tilbehør kan flyve væk og medføre personskade uden for det umiddelbare anvendelsesområde.

9. **Hold kun maskinen i de isolerede gribeblader, når du udfører arbejde, hvor skæretilbehøret kan komme i kontakt med skjulte ledninger eller maskinens egen ledning.** Hvis skæretilbehøret kommer i kontakt med en strømførende ledning, kan udsatte metaldele på maskinen blive strømførende, hvorved operatøren kan få elektrisk stød.
 10. **Placer ledningen på afstand af det roterende tilbehør.** Hvis du mister kontrollen, kan ledningen blive skåret over eller beskadiget, og din hånd eller arm kan blive trukket ind i det roterende tilbehør.
 11. **Læg aldrig maskinen fra dig, før tilbehøret er stoppet helt.** Det roterende tilbehør kan gribe fat i overfladen og trække i maskinen, så du mister kontrollen.
 12. **Lad ikke maskinen køre, mens du bærer den ved siden.** Hvis dit tøj kommer i kontakt med det roterende tilbehør, kan det gribe fat i tøjet og trække tilbehøret ind imod kroppen på dig.
 13. **Rengør regelmæssigt maskinens ventilationsåbninger.** Motorventilatoren trækker støvet ind i kabinettet, og koncentration af forstøvet metal kan medføre elektriske risici.
 14. **Undlad at betjene maskinen i nærheden af brændbare materialer.** Gnister kan antænde disse materialer.
 15. **Undlad at benytte tilbehør, der kræver flydende kølemidler.** Brug af vand eller andre flydende kølemidler kan medføre elektrisk stød eller chok.
 16. **Tilbageslag og relaterede advarsler**
Tilbageslag er en pludselig reaktion på, at en roterende skive, bøjepolstring, børste eller andet tilbehør sidder fast eller kommer i klemme. Hvis tilbehøret sidder fast eller kommer i klemme, går det roterende tilbehør pludselig i stå, hvorved den ikke-kontrollerede maskine tvinges i den modsatte retning af tilbehørets rotationsretning på det sted, hvor det sidder fast.
Hvis en slibeskive f.eks. kommer i klemme eller sidder fast på arbejdsemnet, kan den kant på skiven, der sidder ind i fastklemningspunktet, skære sig ind i emnets overflade, så skiven klatrer ud eller slås ud. Skiven kan enten springe mod eller bort fra operatøren, afhængigt af skivens bevægelse på det sted, hvor den sidder fast. Slibeskiver kan også gå i stykker under disse forhold.
Tilbageslag skyldes forkert brug af maskinen og/eller forkerte betjeningsprocedurer eller forhold og kan undgås ved at træffe de nødvendige forsigtighedsregler som beskrevet nedenfor.
 - a) **Hold godt fast i maskinen, og placer kroppen og armen, så du kan modstå tilbageslag. Benyt altid det ekstra håndtag, hvis det er tilgængeligt, for at opnå størst mulig kontrol med tilbageslag eller drejningsreaktion ved start.** Operatøren kan kontrollere drejningsreaktioner eller tilbageslag, hvis der træffes de rette forholdsregler.
 - b) **Placer aldrig hånden i nærheden af roterende tilbehør.** Tilbehøret kan blive slået tilbage hen over hånden.
 - c) **Placer ikke dig selv i det område, hvor maskinen vil bevæge sig, hvis der opstår tilbageslag.** Ved tilbageslag bliver maskinen slynget i modsat retning af skivens bevægelse på det sted, hvor den sidder fast.
 - d) **Vær særligt forsigtig ved arbejde på hjørner, skarpe kanter osv. Undgå at støde og vride tilbehøret.** Hjørner, skarpe kanter og stød har tendens til at få det roterende tilbehør til at sidde fast og forårsage tab af kontrollen eller tilbageslag.
 - e) **Monér ikke en klinge til savning i træ eller en savklinge med tænder.** Sådanne klinger forårsager ofte tilbageslag og tab af kontrollen.
17. **Specifikke sikkerhedsadvarsler for afslibning:**
 - a) **Anvend kun skivetyper, der anbefales til maskinen.**
 - b) **Skiver må kun benyttes til de anbefalede anvendelser. Eksempel: Undlad at bruge siden af en slibeskive til vinkelslibning.** Vinkelslibeskiver er beregnet til slibning i periferien. Hvis skiverne udsættes for kræfter fra siden, kan de gå i stykker.
 - c) **Undlad at benytte nedslidte skiver fra større maskiner.** Skiver, der er beregnet til større maskiner, er ikke beregnet til en mindre maskines større hastigheder og kan gå i stykker.
- Yderligere sikkerhedsadvarsler:**
18. **Sørg for, at skiven ikke har kontakt med arbejdsemnet, før der tændes på kontakten.**
 19. **Lad maskinen køre et stykke tid, før den benyttes på et arbejdsemne. Hold øje med vibrationer eller slinger, der kan være tegn på en dårlig montering eller en dårligt afbalanceret skive.**
 20. **Anvend den tilsigtede overflade på skiven til at udføre slibningen.**
 21. **Vær opmærksom på gnistregn. Hold maskinen, så gnisterne flyver væk fra dig selv og andre personer eller fra brændbare materialer.**
 22. **Gå ikke fra maskinen, mens den kører. Lad kun maskinen køre, mens du holder den i hænderne.**
 23. **Berør ikke arbejdsemnet umiddelbart efter arbejdet. Det kan være meget varmt og forårsage forbrændinger af huden.**
 24. **Sørg altid for, at maskinen er slukket og taget ud af stikkontakten, eller batteripakken er fjernet, før du udfører nogen form for arbejde på maskinen.**
 25. **Overhold producentens instruktioner for korrekt montering og brug af skiver. Vær omhyggelig med håndteringen og opbevaringen af skiverne.**
 26. **Kontroller, at arbejdsemnet er korrekt understøttet.**
 27. **Hvis arbejdspladsen er meget varm og fugtig, eller hvis den er kraftigt forurenede af ledende støv, skal du bruge en kortslutningsafbryder (30 mA) til at beskytte operatøren.**
 28. **Anvend ikke maskinen på materialer, der indeholder asbest.**
 29. **Maskinen er ikke vandtæt, så undlad at anvende vand på overfladen af arbejdsemnet.**
 30. **Sørg for, at ventilationsåbningerne forbliver frie, når der arbejdes under støvede forhold. Hvis det er nødvendigt at fjerne støv, skal maskinen først kobles fra strømforsyningen (ved hjælp af ikke-metalliske genstande). Undgå at beskadige de interne dele.**
 31. **Sørg altid for at have et solidt fodfæste. Sørg for, at der ikke er nogen under dig, når du bruger værktøjet på højtliggende steder.**

GEM DISSE INSTRUKTIONER.

ADVARSEL:

LAD IKKE tryghed eller kendskab til produktet (fra gentagen brug) føre til, at du ikke strengt overholder sikkerhedsreglerne for det gældende produkt. MISBRUG eller manglende overholdelse af sikkerhedsreglerne i denne brugsanvisning kan medføre alvorlig personskade.

FUNKTIONSBESKRIVELSE

FORSIGTIG:

- Sørg altid for, at værktøjet er slukket, og at stikket er taget ud af stikkontakten, før De justerer værktøjet eller kontrollerer dets funktion.

Betjening af kontakt (Fig. 1)

FORSIGTIG:

- Før værktøjet sættes til, skal De altid kontrollere, at glidekontakten reagerer korrekt og vender tilbage i stillingen "OFF", når der trykkes bag på glidekontakten. For at starte værktøjet skal De skubbe glidekontakten til stillingen I (ON). For kontinuert betjening skal De trykke foran på glidekontakten for at låse den fast. Når De vil stoppe værktøjet, skal De trykke bag på glidekontakten og derefter trykke den mod stillingen "O (OFF)".

MONTERING

FORSIGTIG:

- Sørg altid for, at værktøjet er slukket og taget ud af stikkontakten, før De udfører nogen form for arbejde på værktøjet.

Montering eller afmontering af slibestift (Fig. 2 og 3)

Løsn spændepatronmøtrikken, og sæt slibestiften ind i spændepatronmøtrikken. Benyt en skruenøgle til at holde på spindelen og den anden til at stramme spændepatronmøtrikken godt fast. Slibestiften må ikke monteres mere end 8 mm fra spændepatronmøtrikken. Ved større afstande kan der opstå vibrationer, eller skaflet kan knække. Følg fremgangsmåden til montering i omvendt rækkefølge for at afmontere slibestiften.

FORSIGTIG:

- Benyt den rigtige størrelse spændepatronkegle til den slibestift, De vil anvende.

Sidehåndtag (ekstraudstyr) (Fig. 4)

Ved anvendelse af sidehåndtaget skal De fjerne gummibeskyttelsen, sætte sidehåndtaget så langt ind på værktøjscylinderen, som det kan komme, og dreje det til den ønskede vinkel. Stram derefter håndtaget godt ved at dreje det med uret.

FORSIGTIG:

- Monter altid gummibeskyttelsen på værktøjet, når det anvendes uden sidehåndtag.
- Ved montering af gummibeskyttelsen skal De altid skubbe den på værktøjet, indtil fremspringet inde i gummiet passer til rillerne på værktøjet.

BETJENING (Fig. 5)

Tænd for værktøjet, uden at slibestiften berører arbejdsemnet, og vent, til slibestiften har nået fuld hastighed. Sæt derefter forsigtigt slibestiften mod arbejdsemnet. Flyt langsomt værktøjet mod venstre for at opnå et pænt finish.

FORSIGTIG:

- Tryk let på værktøjet. Hvis der trykkes for hårdt på værktøjet, medfører det blot et dårligt finish, og at motoren bliver overbelastet.

VEDLIGEHOLDELSE

FORSIGTIG:

- Sørg altid for, at værktøjet er slukket, og at stikket er taget ud, før De forsøger at udføre inspektion eller vedligeholdelse.
- Brug aldrig benzin, benzen, fortynder, alkohol eller lignende. Det kan muligvis medføre misfarvning, deformation eller revner.

For at holde produktet SIKKERT og PÅLIDELIGT skal reparationer, kontrol og udskiftning af kulbørsterne samt al anden vedligeholdelse eller justering udføres af autoriserede Makita-servicecentre, og der skal altid benyttes Makita-reservedele.

EKSTRAUDSTYR

FORSIGTIG:

- Dette tilbehør eller ekstraudstyr anbefales til brug med det Makita-værktøj, som er beskrevet i denne brugsanvisning. Brug af andet tilbehør eller ekstraudstyr kan forårsage personskade. Brug kun tilbehør eller ekstraudstyr til det formål, det er beregnet til.

Henvend dig til dit lokale Makita-servicecenter, hvis du har brug for hjælp eller yderligere oplysninger vedrørende tilbehøret.

- Slibestifter
- Spændepatronkeglesæt (3 mm, 6 mm, 1/4", 1/8")
- Skruenøgle 13
- Sidehåndtagssæt

BEMÆRK:

- Visse dele på listen er muligvis indeholdt maskinudpakningen som standardtilbehør. De kan variere fra land til land.

Støj

ENG905-1

Det typiske A-vægtede støjniveau bestemt i overensstemmelse med EN60745:

Lydtryksniveau (L_{pA}): 75 dB (A)

Usikkerhed (K): 3 dB (A)

Støjniveauet under arbejdet kan muligvis overstige 80 dB (A).

Bær høreværn.

Vibration

ENG900-1

Den samlede vibrationsværdi (treaksial vektorsum) bestemte i overensstemmelse med EN60745:

Arbejdstilstand: overfladeslibning

Vibrationsemission ($a_{h,SG}$): 2,5 m/s² eller mindre

Usikkerhed (K): 1,5 m/s²

- Den opgivne vibrationsemissionsværdi er målt i overensstemmelse med standardtestmetoden og kan bruges til at sammenligne et værktøj med et andet.
- Den opgivne vibrationsemissionsværdi kan muligvis også bruges til en indledende eksponeringsvurdering.
- Den opgivne vibrationsemissionsværdi gælder, når maskinen benyttes til dens hovedfunktioner. Men hvis maskinen bruges til andre formål, vil vibrationsemissionsværdien muligvis være en anden.

⚠ ADVARSEL:

- Vibrationsemissionen under den faktiske brug af maskinen kan afvige fra den opgivne emissionsværdi afhængigt af den måde, maskinen anvendes på.
- Sørg for at bestemme sikkerhedsforanstaltninger for beskyttelse af operatøren, som er baseret på en eksponeringsvurdering for brug under faktiske forhold (hvor alle anvendelsescyklussens dele inddrages, som f.eks. antal gange maskinen slukkes, og når den kører i tomgang ud over triggertiden).

Kun for europæiske lande

ENH101-16

EF-overensstemmelseserklæring

Vi, Makita Corporation, erklærer som ansvarlig producent at følgende Makita-maskine(r):

Maskinens betegnelse:

Ligesliber

Modelnummer/type: GD0601

er en produktionsserie og

Overholder følgende europæiske direktiver:

2006/42/EF

Og er produceret i overensstemmelse med følgende standarder eller standardiserede dokumenter:

EN60745

Den tekniske dokumentation findes hos:

Makita International Europe Ltd.

Technical Department,

Michigan Drive, Tongwell,

Milton Keynes, Bucks MK15 8JD, England

30. 1. 2009



Tomoyasu Kato

Direktør

Makita Corporation

3-11-8, Sumiyoshi-cho,

Anjo, Aichi, 446-8502, JAPAN

ΕΛΛΗΝΙΚΑ (Πρωτογενείς οδηγίες)

Περιγραφή γενικής όψης

1. Κυλιόμενος διακόπτης
2. Κλειδί 13
3. Παξιμάδι κολάρου
4. Κλειδί 13
5. Πλαϊνή λαβή

ΤΕΧΝΙΚΑ ΧΑΡΑΚΤΗΡΙΣΤΙΚΑ

Μοντέλο	GD0601
Μέγιστη ικανότητα κολάρου	6 mm ή 6,35 mm (1/4")
Μέγιστη διάμετρος σημειακού τροχού	38 mm
Ταχύτητα χωρίς φορτίο (n_0)/ονομαστική ταχύτητα (n)	25.000 min ⁻¹
Ολικό μήκος	359 mm
Καθαρό βάρος	1,7 kg
Τάξη ασφάλειας	II/III

- Λόγω του συνεχόμενου προγράμματος που εφαρμόζουμε για έρευνα και ανάπτυξη, τα τεχνικά χαρακτηριστικά στο παρόν έντυπο υπόκεινται σε αλλαγή χωρίς προειδοποίηση.
- Τα τεχνικά χαρακτηριστικά ενδέχεται να διαφέρουν ανάλογα με τη χώρα.
- Βάρος σύμφωνα με τη διαδικασία ΕΡΤΑ 01/2003

Προοριζόμενη χρήση

ENE050-1

Το εργαλείο προορίζεται για τρόχισμα και λείανση σιδηρούχων υλικών και χυτών μετάλλων.

Ηλεκτρική παροχή

ENF002-2

Το εργαλείο πρέπει να συνδέεται μόνο σε ηλεκτρική παροχή της ίδιας τάσης με αυτήν που αναγράφεται στην πινακίδα ονομαστικών τιμών και μπορεί να λειτουργήσει μόνο με εναλλασσόμενο μονοφασικό ρεύμα. Τα εργαλεία αυτά διαθέτουν διπλή μόνωση και συνεπώς μπορούν να συνδεθούν με πρίζες χωρίς γείωση.

Γενικές Προειδοποιήσεις Ασφαλείας Του Ηλεκτρικού Εργαλείου

GEA010-1

⚠ ΠΡΟΕΙΔΟΠΟΙΗΣΗ Διαβάστε όλες τις προειδοποιήσεις ασφαλείας και όλες τις οδηγίες. Αν δεν ακολουθήσετε όλες τις προειδοποιήσεις και τις οδηγίες, υπάρχει κίνδυνος ηλεκτροπληξίας, πυρκαγιάς ή/και σοβαρού τραυματισμού.

Φυλάξτε όλες τις προειδοποιήσεις και τις οδηγίες για μελλοντική αναφορά.

ΠΡΟΕΙΔΟΠΟΙΗΣΕΙΣ ΑΣΦΑΛΕΙΑΣ ΕΥΘΥΛΕΙΑΝΤΗΡΑ

GEB034-7

Κοινές προειδοποιήσεις ασφαλείας για τη λειτουργία τροχίσματος:

1. Αυτό το ηλεκτρικό εργαλείο προορίζεται να λειτουργήσει ως λειαντήρας. Διαβάστε όλες τις προειδοποιήσεις ασφαλείας, τις οδηγίες, τις εικόνες και τις προδιαγραφές που παρέχονται με αυτό το ηλεκτρικό εργαλείο. Αν δεν ακολουθήσετε όλες τις οδηγίες που παρατίθενται παρακάτω, υπάρχει κίνδυνος ηλεκτροπληξίας, πυρκαγιάς ή/και σοβαρού τραυματισμού.
2. **Δεν συνιστάται να πραγματοποιούνται λειτουργίες όπως λείανση, συμπίενο βούρτσισμα, λουστρόρισμα ή κοπή με αυτό το ηλεκτρικό εργαλείο.** Αν χρησιμοποιηθεί το ηλεκτρικό εργαλείο για εργασίες για τις οποίες δεν έχει σχεδιαστεί, ενδεχομένως να προκληθεί κίνδυνος και προσωπικός τραυματισμός.
3. **Μη χρησιμοποιείτε εξαρτήματα που δεν είναι ειδικά σχεδιασμένα από τον κατασκευαστή του εργαλείου και τα οποία δεν συνιστά ο κατασκευαστής του εργαλείου.** Αν και είναι δυνατό να προσαρτηθεί το εξάρτημα στο ηλεκτρικό εργαλείο σας, αυτό δεν σημαίνει ότι μπορεί να λειτουργεί με ασφάλεια.
4. **Η ονομαστική ταχύτητα του εξαρτήματος πρέπει να είναι τουλάχιστον ίση με τη μέγιστη ταχύτητα που αναγράφεται στο ηλεκτρικό εργαλείο.** Τα εξαρτήματα που λειτουργούν με ταχύτητα υψηλότερη από την ονομαστική ταχύτητά τους μπορεί να σπασούν και να εκτιναχθούν τα μέρη τους.
5. **Η εξωτερική διάμετρος και το πάχος του εξαρτήματος σας πρέπει να βρίσκονται εντός των δυνατοτήτων του ηλεκτρικού εργαλείου σας.** Τα εξαρτήματα με λανθασμένο μέγεθος δεν προστατεύονται ούτε ελέγχονται ικανοποιητικά.
6. **Μη χρησιμοποιείτε εξαρτήματα που έχουν υποστεί βλάβη.** Πριν τη κάθε χρήση εξετάστε το εξάρτημα όπως τους λειαντικούς τροχούς για σπασίματα και ρωγμές. Αν το ηλεκτρικό εργαλείο ή ένα εξάρτημα πέσει κάτω, ελέγξτε για ζημιές ή εγκαταστήστε ένα εξάρτημα που δεν έχει υποστεί βλάβη. Μετά την εξέταση και την εγκατάσταση ενός εξαρτήματος, παραμείνετε εσείς και οι παρευρισκόμενοι μακριά από το επίπεδο του περιστρεφόμενου εξαρτήματος και λειτουργήστε το ηλεκτρικό εργαλείο στη μέγιστη ταχύτητα χωρίς φορτίο για ένα λεπτό. Τα εξαρτήματα που έχουν υποστεί βλάβη, συνήθως σπάνε κατά τη διάρκεια αυτής της δοκιμής.
7. **Να φοράτε προσωπικό προστατευτικό εξοπλισμό.** Ανάλογα με την εφαρμογή, να

χρησιμοποιείτε προσωπίδα, προστατευτικά ματιών ή προστατευτικά γυαλιά. **Αν είναι απαραίτητο, να φοράτε προσωπίδα κατά της σκόνης, υποασπίδες, γάντια και φόρμα συνεργείου που έχουν τη δυνατότητα να σταματούν την κίνηση μικρών θραυσμάτων που προέρχονται από τη λείανση ή το τεμάχιο εργασίας.** Ο προστατευτικός εξοπλισμός για τα μάτια πρέπει να έχει τη δυνατότητα να σταματά την κίνηση των εκτινασσομένων θραυσμάτων που δημιουργούνται από τις διάφορες εργασίες. Η προσωπίδα κατά της σκόνης ή ο αναπνευστήρας πρέπει να έχει τη δυνατότητα να φιλτράρει τα σωματίδια που δημιουργούνται από την εργασία που εκτελείται. Η παρατεταμένη έκθεση σε θόρυβο υψηλής έντασης μπορεί να προκαλέσει απώλεια ακούσης.

8. **Να απομακρύνετε τους μη έχοντες εργασία σε ασφαλή απόσταση από το χώρο εργασίας. Κάθε άτομο που εισέρχεται στο χώρο εργασίας πρέπει να φορά προστατευτικό προστατευτικό εξοπλισμό.** Μπορεί να εκτιναχθούν θραύσματα από το τεμάχιο εργασίας ή από ένα σπασμένο εξάρτημα και να προκαλέσουν τραυματισμό σε άτομα που βρίσκονται μακριά από την άμεση περιοχή της εργασίας.
9. **Να κρατάτε το ηλεκτρικό εργαλείο μόνο από τις λαβές με μόνωση όταν εκτελείτε εργασίες κατά τις οποίες το κοπτικό εξάρτημα μπορεί να έρθει σε επαφή με κρυμμένα καλώδια ή με το ίδιο του το καλώδιο.** Αν το κοπτικό εξάρτημα έρθει σε επαφή με κάποιο ηλεκτροφόρο καλώδιο, τα εκτεθειμένα μεταλλικά μέρη του ηλεκτρικού εργαλείου θα γίνουν κι αυτά ηλεκτροφόρα και μπορεί να προκληθεί ηλεκτροπληξία στο χειριστή.
10. **Να τοποθετείτε το ηλεκτρικό καλώδιο μακριά από το περιστρεφόμενο εξάρτημα.** Αν χάσετε τον έλεγχο, το ηλεκτρικό καλώδιο μπορεί να κοπεί ή να σκαλώσει και μπορεί να τραβήξει το χέρι ή το βραχιόνιά σας μέσα στο περιστρεφόμενο εξάρτημα.
11. **Ποτέ να μην τοποθετείτε κάτω το ηλεκτρικό εργαλείο έως ότου το εξάρτημα σταματήσει τελείως.** Το περιστρεφόμενο εξάρτημα ενδοχόμενων να πιαστεί στην επιφάνεια και να χάσετε τον έλεγχο του ηλεκτρικού εργαλείου.
12. **Μη θέτετε το ηλεκτρικό εργαλείο σε λειτουργία ενώ το μεταφέρετε κρατώντας το στο πλάι σας.** Η τυχαία επαφή με το περιστρεφόμενο εξάρτημα μπορεί να έχει ως αποτέλεσμα να πιαστούν τα ρούχα σας και το εξάρτημα να τραβηχτεί προς το σώμα σας.
13. **Να καθαρίζετε τακτικά τα ανοίγματα εξερισμού του ηλεκτρικού εργαλείου.** Ο ανεμιστήρας του moter τραβάει τη σκόνη στο εσωτερικό του περιβλήματος και η υπερβολική συσσώρευση μετάλλου σε μορφή σκόνης ενδοχόμενων να προκαλέσει κίνδυνο ηλεκτροπληξίας.
14. **Μη θέτετε σε λειτουργία το ηλεκτρικό εργαλείο κοντά σε εύφλεκτα υλικά.** Οι σπινθήρες μπορούν να προκαλέσουν ανάφλεξη αυτών των υλικών.
15. **Μη χρησιμοποιείτε εξαρτήματα που απαιτούν υγρά ψυκτικά.** Η χρήση νερού ή άλλων υγρών ψυκτικών μπορεί να έχει ως αποτέλεσμα την ηλεκτροπληξία.
16. **Κλώτσημα και σχετικές προειδοποιήσεις**
Το κλώτσημα είναι μια απότομη αντίδραση σε ένα σφιγμένο ή σκαλωμένο περιστρεφόμενο τροχό,

βύσμα στερέωσης, βούρτσα ή άλλο εξάρτημα. Η αποκοπή ή το σκάλωμα προκαλεί την απότομη εμπλοκή του περιστρεφόμενου εξαρτήματος, το οποίο με τη σειρά του προκαλεί την κίνηση του ανεξέλεγκτου ηλεκτρικού εργαλείου προς την αντίθετη κατεύθυνση της περιστροφής του εξαρτήματος στο σημείο της εμπλοκής.

Για παράδειγμα, αν ένας λειαντικός τροχός σφίχτει ή σκαλώσει σε ένα τεμάχιο εργασίας, το άκρο του τροχού που εισέρχεται στο σημείο σκαλώματος μπορεί να σκάψει την επιφάνεια του υλικού κάνοντας τον τροχό να σκαρφώσει έξω ή να πεταχτεί έξω. Ο τροχός μπορεί να πεταχτεί προς το χειριστή ή μακριά από αυτόν, ανάλογα με την κατεύθυνση κίνησης του τροχού στο σημείο της αποκοπής. Οι λειαντικοί τροχοί μπορεί και να σπάσουν κάτω από αυτές τις συνθήκες. Το κλώτσημα προκαλείται όταν το ηλεκτρικό εργαλείο χρησιμοποιείται λανθασμένα ή/και όταν οι διαδικασίες ή οι συνθήκες λειτουργίας είναι λανθασμένες. Μπορεί να αποφευχθεί αν ληφθούν οι κατάλληλες προφυλάξεις που αναφέρονται παρακάτω.

- a) **Να κρατάτε το ηλεκτρικό εργαλείο καλά και με τα δύο χέρια και να τοποθετείτε το σώμα και το βραχιόνιά σας με τρόπο ώστε να αντιστέκονται στη δύναμη του κλωτσήματος. Να χρησιμοποιείτε πάντα τη βοηθητική λαβή, αν παρέχεται, για μέγιστο έλεγχο κατά του κλωτσήματος ή της αντίδρασης ροπής κατά την έναρξη της λειτουργίας.** Ο χειριστής μπορεί να ελέγχει τις αντιδράσεις ροπής ή τις δυνάμεις κλωτσήματος αν λάβει τις κατάλληλες προφυλάξεις.
 - b) **Μην τοποθετείτε ποτέ τα χέρια σας κοντά στο περιστρεφόμενο εξάρτημα.** Το εξάρτημα μπορεί να κλωτσήσει επάνω από το χέρι σας.
 - c) **Μην τοποθετείτε το σώμα σας στην περιοχή που θα κινηθεί το ηλεκτρικό εργαλείο στην περίπτωση που αυτό κλωτσήσει.** Το κλώτσημα θα προωθήσει το εργαλείο προς την αντίθετη κατεύθυνση της κίνησης του τροχού στο σημείο του σκαλώματος.
 - d) **Να είστε ιδιαίτερα προσεκτικοί όταν εργάζεστε σε γωνίες, αιχμηρές άκρες, κτλ. Να αποφεύγετε την αναπήδηση και το σκάλωμα του εξαρτήματος.** Οι γωνίες, οι αιχμηρές άκρες ή η αναπήδηση έχουν την τάση να σκαλώνουν το περιστρεφόμενο εξάρτημα και να προκαλούν την απώλεια ελέγχου ή το κλώτσημα.
 - e) **Μην προσαρτάτε μια λάμα αλυσοπριονίου για ξύλο ή οδοντωτή λάμα.** Τέτοιες λάμες δημιουργούν συχνά κλώτσημα και απώλεια του ελέγχου.
17. **Προειδοποιήσεις ασφαλείας ειδικά για τρόχισμα:**
- a) **Χρησιμοποιείτε μόνο τους τύπους των τροχών που συνιστώνται για το ηλεκτρικό εργαλείο σας.**
 - b) **Πρέπει να χρησιμοποιείτε τους τροχούς μόνο για τις συνιστώμενες εφαρμογές. Για παράδειγμα: μην τροχίζετε με την πλευρά του τροχού κοπής.** Οι λειαντικοί τροχοί κοπής προορίζονται για περιφερειακό τρόχισμα. Οι πλευρικές δυνάμεις που ασκούνται σε αυτούς τους τροχούς ενδοχόμενων να προκαλέσουν το θρυμματισμό τους.
 - c) **Μη χρησιμοποιείτε φθαρμένους τροχούς από μεγαλύτερα ηλεκτρικά εργαλεία.** Ο τροχός που προορίζεται για μεγαλύτερα ηλεκτρικά εργαλεία δεν είναι κατάλληλος για την υψηλότερη ταχύτητα των μικρότερων εργαλείων, και ενδοχόμενων να σπάσει.

Επιπρόσθετες προειδοποιήσεις ασφαλείας:

18. Βεβαιωθείτε ότι ο τροχός δεν ακουμπά το τεμάχιο εργασίας πριν ενεργοποιήσετε το διακόπτη λειτουργίας.
19. Πριν χρησιμοποιήσετε το εργαλείο σε ένα πραγματικό τεμάχιο εργασίας, να το αφήνετε να λειτουργεί για λίγη ώρα. Να προσέχετε για κραδασμούς ή κινήσεις που θα μπορούσαν να υποδειχθούν κακή τοποθέτηση ή κακή ισορροπηση του τροχού.
20. Να χρησιμοποιείτε την καθορισμένη επιφάνεια του τροχού για την εκτέλεση του τροχίσματος.
21. Προσέχετε τις σπίθες που πετάνονται. Να κρατάτε το εργαλείο με τρόπο ώστε οι σπίθες να πετάνονται μακριά από εσάς, άλλα άτομα ή εύφλεκτα υλικά.
22. Μην αφήνετε το εργαλείο σε λειτουργία. Το εργαλείο πρέπει να βρίσκεται σε λειτουργία μόνο όταν το κρατάτε.
23. Μην αγγίζετε το τεμάχιο εργασίας αμέσως μετά τη λειτουργία του εργαλείου. Μπορεί να είναι εξαιρετικά θερμό και να προκληθεί έγκαυμα στο δέρμα σας.
24. Να βεβαιώνετε πάντοτε ότι έχετε σβήσει το εργαλείο και έχετε βγάλει το φως του ηλεκτρικού καλωδίου από την πρίζα ή έχετε βγάλει τη μπαταρία πριν εκτελέσετε οποιαδήποτε εργασία σε αυτό.
25. Να τηρείτε τις οδηγίες του κατασκευαστή όσον αφορά τη σωστή τοποθέτηση και χρήση των τροχών. Να χειρίζεστε και να αποθηκεύετε τους τροχούς με προσοχή.
26. Ελέγξτε ότι το τεμάχιο εργασίας υποστηρίζεται σωστά.
27. Εάν το περιβάλλον εργασίας είναι πολύ ζεστό και υγρό ή εάν υπάρχει υπερβολική αγωγιμη σκόνη, να χρησιμοποιείτε ασφάλεια βραχυκυκλώματος (30 mA) για να εξασφαλίζετε την ασφάλεια του χειριστή.
28. Μη χρησιμοποιείτε το εργαλείο σε κανένα υλικό που περιέχει αμιάντο.
29. Το εργαλείο αυτό δεν είναι αδιάβροχο, γι' αυτό μη χρησιμοποιείτε νερό στην επιφάνεια του τεμαχίου εργασίας.
30. Να φροντίζετε ώστε τα ανοίγματα εξαερισμού να είναι ελεύθερα όταν εργάζεστε σε χώρους με σκόνη. Εάν είναι απαραίτητο να καθαρίσετε τη σκόνη, αποσυνδέστε πρώτα το εργαλείο από την κεντρική παροχή ηλεκτρικού ρεύματος (μη χρησιμοποιείτε μεταλλικά αντικείμενα) και προσέξτε να μην προκαλέσετε ζημιά στα εσωτερικά μέρη.
31. Να βεβαιώνετε πάντοτε ότι στέκεστε σταθερά. Όταν χρησιμοποιείτε το εργαλείο σε υψηλές τοποθεσίες, να βεβαιώνετε ότι δεν βρίσκεται κανένας από κάτω.

ΦΥΛΑΞΤΕ ΑΥΤΕΣ ΤΙΣ ΟΔΗΓΙΕΣ.

ΠΡΟΕΙΔΟΠΟΙΗΣΗ:

ΜΗΝ επιτρέψετε στη βολικότητα ή στην εξοικειωσή σας με το προϊόν (που αποκτήθηκε από επανειλημμένη χρήση) να αντικαταστήσει την αυστηρή προσήλωση στους κανόνες ασφαλείας του

εν λόγω προϊόντος. Η ΛΑΝΘΑΣΜΕΝΗ ΧΡΗΣΗ ή η μη τήρηση των κανόνων ασφαλείας που διατυπώνονται στο παρόν εγχειρίδιο οδηγιών μπορεί να προκαλέσει σοβαρό τραυματισμό.

ΠΕΡΙΓΡΑΦΗ ΛΕΙΤΟΥΡΓΙΑΣ

ΠΡΟΣΟΧΗ:

- Να βεβαιώνετε πάντοτε ότι το εργαλείο είναι σβηστό και αποσυνδεδεμένο από το ηλεκτρικό ρεύμα πριν ρυθμίζετε ή ελέγχετε κάποια λειτουργία του.

Δράση διακόπτη (Εικ. 1)

ΠΡΟΣΟΧΗ:

- Πριν συνδέσετε το εργαλείο σε πρίζα, πάντοτε να ελέγχετε ότι ο κυλιόμενος διακόπτης ενεργοποιείται σωστά και επιστρέφει στη θέση OFF όταν πιέζετε το πίσω μέρος του κυλιόμενου διακόπτη.

Για να ξεκινήσετε τη λειτουργία του εργαλείου, ολισθήστε τον κυλιόμενο διακόπτη στη θέση I (ON). Για συνεχόμενη λειτουργία, πιέστε το μπροστινό μέρος του κυλιόμενου διακόπτη για να τον ασφαλίσετε.

Για να διακόψετε τη λειτουργία του εργαλείου, πιέστε το πίσω μέρος του κυλιόμενου διακόπτη και κατόπιν ολισθήστε τον στη θέση O (OFF).

ΣΥΝΑΡΜΟΛΟΓΗΣΗ

ΠΡΟΣΟΧΗ:

- Να βεβαιώνετε πάντοτε ότι το εργαλείο είναι σβηστό και αποσυνδεδεμένο από το ηλεκτρικό ρεύμα πριν εκτελέσετε οποιαδήποτε εργασία σε αυτό.

Τοποθέτηση ή αφαίρεση του σημειακού τροχού (Εικ. 2 και 3)

Χαλαρώστε το παξιμάδι κολάρου και εισάγετε τον σημειακό τροχό στο παξιμάδι κολάρου. Χρησιμοποιήστε ένα κλειδί για να κρατήσετε την μπουμπινα για το άλλο κλειδί για να σφίξετε καλά το παξιμάδι κολάρου.

Ο σημειακός τροχός δεν θα πρέπει να τοποθετείται περισσότερο από 8 χιλιοστά από το παξιμάδι κολάρου. Αν υπερβείτε την απόσταση αυτή, μπορεί να προκληθεί δόνηση ή σπάσιμο του άξονα.

Για να αφαιρέσετε τον σημειακό τροχό, ακολουθήστε τη διαδικασία τοποθέτησης με αντίστροφη σειρά.

ΠΡΟΣΟΧΗ:

- Χρησιμοποιήστε το σωστό μέγεθος του κώνου κολάρου για τον σημειακό τροχό που σκοπεύετε να χρησιμοποιήσετε.

Πλαϊνή λαβή (προαιρετικό αξεσουάρ) (Εικ. 4)

Όταν χρησιμοποιείτε την πλαϊνή λαβή, βγάλτε το λαστιχένιο προστατευτικό, τοποθετήστε την πλαϊνή λαβή στο κύριο τμήμα του εργαλείου έως το τέρμα και περιστρέψτε την πλαϊνή λαβή στην επιθυμητή γωνία. Κατόπιν περιστρέψτε τη λαβή δεξιόστροφα για να τη σφίξετε καλά.

ΠΡΟΣΟΧΗ:

- Όταν χρησιμοποιείτε το εργαλείο χωρίς λαβή, να τοποθετείτε πάντα το λαστιχένιο προστατευτικό στο εργαλείο.

- Όταν τοποθετείτε το λαστιχένιο προστατευτικό, να το σπρώχνετε πάντοτε στο εργαλείο έως ότου η προεξοχή στο εσωτερικό του ελαστικού εφαρμόζει στις εγκοπές στο εργαλείο.

ΛΕΙΤΟΥΡΓΙΑ (Εικ. 5)

Ενεργοποιήστε το εργαλείο χωρίς να έρχεται σε επαφή ο σημειακός τροχός με το τεμάχιο εργασίας και περιμένετε έως ότου ο σημειακός τροχός φτάσει στην πλήρη ταχύτητά του. Κατόπιν, τοποθετήστε απαλά τον σημειακό τροχό στο τεμάχιο εργασίας. Για να έχετε ένα καλό τελείωμα, μετακινήστε το εργαλείο αργά προς τα αριστερά.

ΠΡΟΣΟΧΗ:

- Να εφαρμόζετε ελαφριά πίεση στο εργαλείο. Η υπερβολική πίεση στο εργαλείο θα προκαλέσει μόνο ανεπαρκές τελείωμα και υπερφόρτωση του μοτέρ.

ΣΥΝΤΗΡΗΣΗ

ΠΡΟΣΟΧΗ:

- Να βεβαιώνετε πάντοτε ότι το εργαλείο είναι σβηστό και αποσυνδεδεμένο από το ηλεκτρικό ρεύμα πριν εκτελέσετε οποιαδήποτε εργασία ελέγχου ή συντήρησης σε αυτό.
- Μην χρησιμοποιήσετε βενζίνη, βενζόλη, διαλυτικό, αλκοόλη ή κάτι παρόμοιο. Μπορεί να προκληθεί αποχρωματισμός, παραμόρφωση ή ρωγμές.

Για να διατηρείται η ΑΣΦΑΛΕΙΑ και η ΑΞΙΟΠΙΣΤΙΑ του προϊόντος, οι εργασίες επισκευής, ο έλεγχος και η αλλαγή των καρβουνακίων, καθώς και οποιαδήποτε άλλη εργασία συντήρησης και ρύθμισης, θα πρέπει να εκτελούνται σε εξουσιοδοτημένα κέντρα εξυπηρέτησης της Makita, και πάντοτε με τη χρήση ανταλλακτικών της Makita.

ΠΡΟΑΙΡΕΤΙΚΑ ΑΞΕΣΟΥΑΡ

⚠ ΠΡΟΣΟΧΗ:

- Συνιστάται η χρήση αυτών των αξεσουάρ ή εξαρτημάτων με το εργαλείο της Makita, όπως περιγράφεται στο παρόν εγχειρίδιο. Αν χρησιμοποιήσετε άλλα αξεσουάρ ή εξαρτήματα μπορεί να παρουσιαστεί κίνδυνος για πρόκληση τραυματισμού προσώπων. Να χρησιμοποιείτε τα αξεσουάρ και τα εξαρτήματα μόνο για το σκοπό για τον οποίο προορίζονται.

Αν χρειάζεστε κάποια βοήθεια ή περισσότερες πληροφορίες σχετικά με τα αξεσουάρ αυτά, απευθυνθείτε στο πλησιέστερο κέντρο εξυπηρέτησης της Makita.

- Σημειακοί τροχοί
- Σετ κώνου κολάρου (3 χιλιοστά, 6 χιλιοστά, 1/4 ίντσες, 1/8 ίντσες)
- Κλειδί 13
- Σετ πλαϊνής λαβής

ΣΗΜΕΙΩΣΗ:

- Ορισμένα από τα στοιχεία της λίστα μπορεί να περιέχονται στην συσκευασία του εργαλείου ως κανονικά αξεσουάρ. Αυτά ενδέχεται να διαφέρουν από χώρα σε χώρα.

Θόρυβος

ENG905-1

Το σύνθημα σταθμισμένο επίπεδο θορύβου που έχει καθοριστεί σύμφωνα με την EN60745:

Επίπεδο ηχητικής πίεσης (L_{PA}): 75 dB (A)

Αβεβαιότητα (K): 3 dB (A)

Το επίπεδο θορύβου σε λειτουργία ενδέχεται να υπερβεί τα 80 dB (A).

Να φοράτε ωτοασπίδες.

Δόνηση

ENG900-1

Η συνολική τιμή δόνησης (διανυσματικό άθροισμα τριών αξόνων) που έχει καθοριστεί σύμφωνα με την EN60745:

Κατάσταση λειτουργίας: τρόχισμα επιφάνειας

Εκπομπή κραδασμού (a_{h,SG}): 2,5 m/s² ή λιγότερο

Αβεβαιότητα (K): 1,5 m/s²

ENG902-1

- Η δηλωθείσα τιμή των παραγομένων κραδασμών έχει καταμετρηθεί σύμφωνα με την τυποποιημένη μέθοδο δοκιμασίας και μπορεί να χρησιμοποιηθεί για την σύγκριση ενός εργαλείου με ένα άλλο.
- Η δηλωθείσα τιμή των παραγομένων κραδασμών μπορεί επίσης να χρησιμοποιηθεί για μια προκαταρκτική αξιολόγηση της έκθεσης στους κραδασμούς.
- Η δηλωθείσα τιμή των παραγομένων κραδασμών χρησιμοποιείται για τις κύριες χρήσεις του ηλεκτρικού εργαλείου. Ωστόσο, εάν το ηλεκτρικό εργαλείο χρησιμοποιηθεί για άλλες εφαρμογές, η τιμή των παραγομένων κραδασμών μπορεί να είναι διαφορετική.

⚠ ΠΡΟΕΙΔΟΠΟΙΗΣΗ:

- Η εκπομπή κραδασμών κατά τη διάρκεια της πραγματικής χρήσης του ηλεκτρικού εργαλείου μπορεί να διαφέρει από τη δηλωθείσα τιμή των εκπομπών, ανάλογα με τον τρόπο με τον οποίο χρησιμοποιείται το εργαλείο.
- Φροντίστε να λάβετε τα μέτρα ασφαλείας που απαιτούνται για την προστασία του χρήστη που βασίζονται σε μια εκτίμηση της έκθεσης σε πραγματικές συνθήκες χρήσης (λαμβάνοντας υπόψη όλα τα μέρη του κύκλου λειτουργίας, όπως είναι οι περιπτώσεις κατά τις οποίες το εργαλείο είναι απενεργοποιημένο και όταν λειτουργεί στο ρελαντί επιπρόσθετως του χρόνου κατά τον οποίο το εργαλείο βρίσκεται σε χρήση).

Για Ευρωπαϊκές χώρες μόνο

ENH101-16

ΕΚ – Δήλωση συμμόρφωσης

Η Εταιρία Makita ως υπεύθυνος κατασκευαστής, δηλώνει ότι το παρακάτω μηχάνημα ή μηχανήματα της Makita:

Ονομασία μηχανήματος:

Ευθυλειαντήρας

Αρ. Μοντέλου/ Τύπος: GD0601

αποτελεί παραγωγή σε σειρά και

Συμμορφώνεται με τις ακόλουθες Ευρωπαϊκές

Οδηγίες:

2006/42/ΕΚ

Και κατασκευάζεται σύμφωνα με τα παρακάτω πρότυπα ή τυποποιημένα έγγραφα:

EN60745

Τα τεχνικά έγγραφα διατηρούνται από το:
Makita International Europe Ltd.
Technical Department,
Michigan Drive, Tongwell,
Milton Keynes, Bucks MK15 8JD, England

30. 1. 2009



Tomoyasu Kato
Διευθυντής
Makita Corporation
3-11-8, Sumiyoshi-cho,
Anjo, Aichi, 446-8502, JAPAN

Makita Corporation
Anjo, Aichi, Japan

www.makita.com

884691D990

ALA