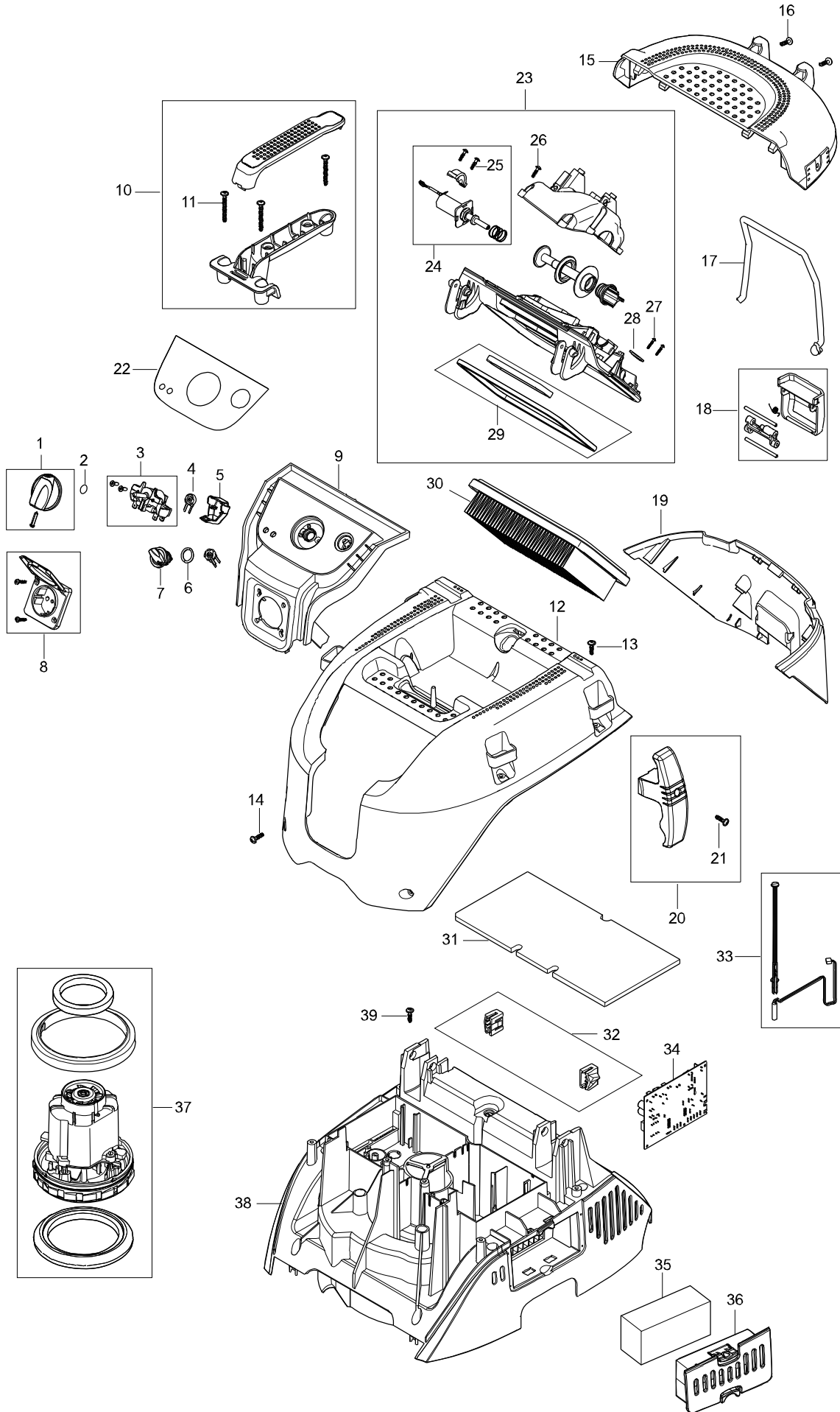
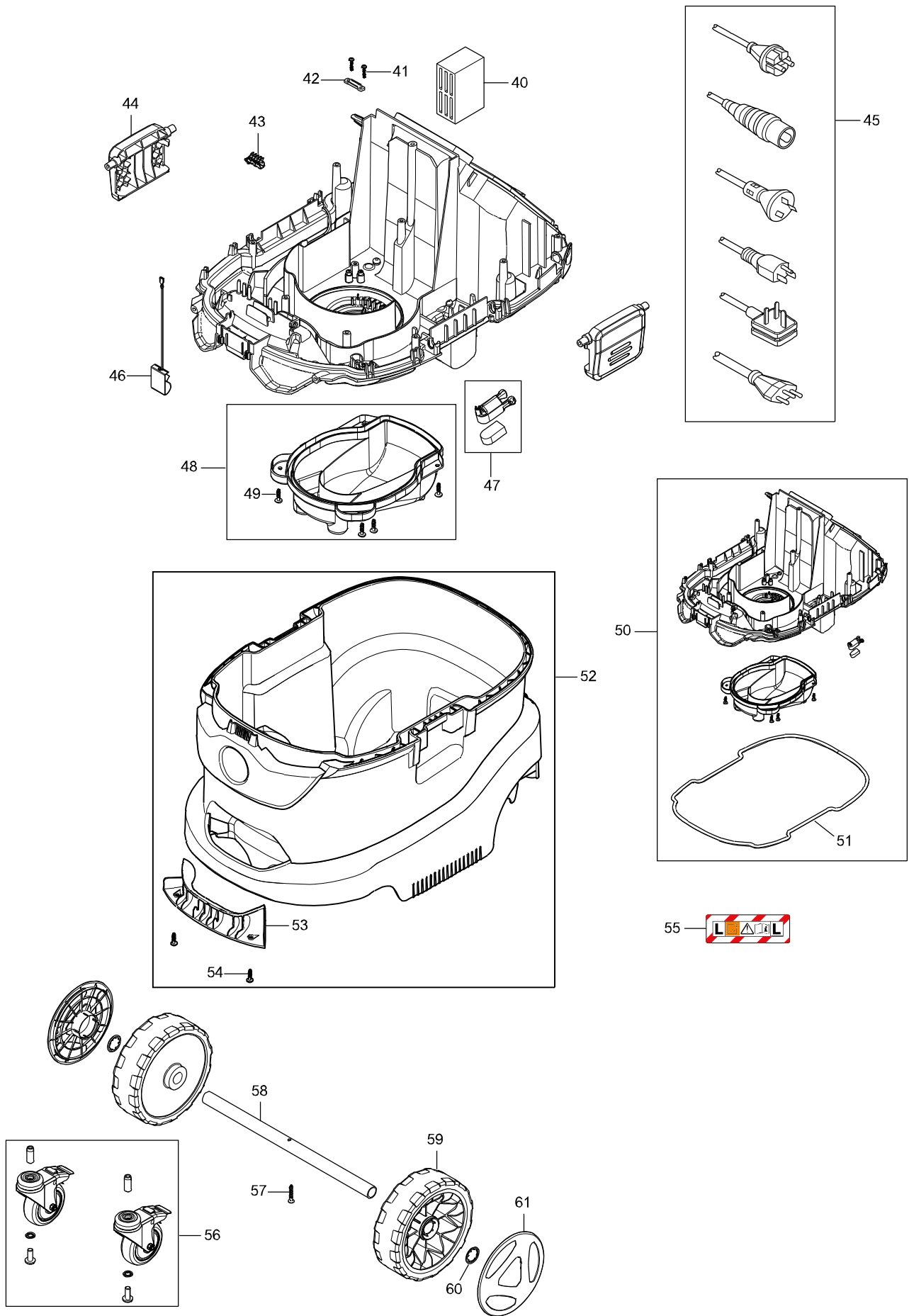


Modelo VC4210L VACUUM CLEANER



Modelo VC4210L VACUUM CLEANER



Artículo	Código	Descripción	Interc	Cantidad	N/O	Opción 1	Opción 2	Notas
001	W909100222	SWITCH KNOB MAKITA BLUE		1				
002	W9868	O-RING 10x2.5 NBR70		1				
003	W107415085	ROTARY SWITCH 5POS. 16A		1				
004	W107415024	POTENTIOMETER		2				
005	W107415080	CAP FOR POTENTIOMETER		1				
006	W107417587	O-RING 16X2		1				
007	W107418673	SWITCH KNOB		1				
008	W302004034	SOCKET *EU* - CEE7/4		1				
009	W107418664	CONTROL PANEL		1				
010	W107418217	HANDLE KIT		1				
D10		INC. 11						
011	W128500203	SCREW K50X45		3				
012	W107418665	MAKITA TOP COVER		1				
013	W302004029	SCREW 5X18 TX20		4				
014	W302004029	SCREW 5X18 TX20		2				
015	W107418666	UPPER COVER		1				
016	W302004029	SCREW 5X18 TX20		2				
017	W107415035	CORD STRAP FOR CABLE		1				
018	W107415032	HATCH DOOR CLAMP		1				
019	W107418667	LOWER COVER		1				
020	W107415083	HOSE/CABLE HOOK		2				
D10		INC. 21						
021	W302004029	SCREW 5X18 TX20		2				
022	W107418668	MAKITA CONTROL PANEL LABEL		1				
023	W107418665	MAKITA TOP COVER		1				
D10		INC. 24,26-29						
024	W107415031	SOLENOID KIT 220-240V		1				
D10		INC. 25						
025	W302004029	SCREW 5X18 TX20		2				
026	W302004029	SCREW 5X18 TX20		7				
027	W302004032	SCREW 3,5X18 TX10		2				
028	W5697	STRAP 3X8X33		1				
029	W107415090	HATCH DOOR FILTER GASKET		1				
030	W107413540	MAKITA FLAT FILTER		1				
031	W107417101	FOAM SEALING 298X148		1				
032	W107415075	HINGE SNAP 2PCS.		1				
033	W107415060	REED SENSOR		1				
034	W107415094	PCBA AUTO ON/OFF 220-240V		1				
035	W107415096	DIFFUSOR		1				
036	W107418669	COVER FOR MOTOR COOLING FILTER		1				
037	W107415055	MOTOR 220-240V		1				
038	W107418670	AIRGUIDE		1				
039	W302004029	SCREW 5X18 TX20		10				
040	W107417112	SOUND ABSORBER 83X55X35		1				
041	W302004032	SCREW 3,5X18 TX10		2				
042	W302004030	STRAP FOR CORD		1				
043	W302004031	TERMINAL STRIP 6-POL 16A		1				
044	W107415053	CONTAINER CLAMP		2				

Artículo	Código	Descripción	Interc	Cantidad	N/O	Opción 1	Opción 2	Notas
045	W107400573	POWER CORD EU		1				
046	W107417113	CONTACT SPRING W.WIRE		2				
047	W107415063	FLOATER WITH MAGNET		1				
048	W107415061	AIR FLOW COVER KIT		1				
D10		INC. 49						
049	W1814614	PT-SCREW K50X18 T20		4				
050	W107415074	BASE PLATE ASSEMBLY		1				
D10		INC. 51						
051	W107415050	CONTAINER SEALING		1				
052	W107418663	MAKITA CONTAINER 42L		1				
D10		INC. 53,54						
053	W107417124	HANDLE INNER		1				
054	W302004029	SCREW 5X18 TX20		2				
055	W302004200	LABEL >DUST CLASS L<		1				
056	W107417573	CASTOR WHEEL D100 W.BRAKE 2PCS		1				
057	W107417864	SCREW K50X35 T20		1				
058	W302004022	WHEEL AXLE		1				
059	W107417121	WHEEL D175		2				
060	W47302	CLAMPING RING FOR WHEEL		2				
061	W107418043	WHEEL CAP D145		2				
062	W107418349	MAKITA CLEANING SET		1				
D10		INC. 63-66						
063	W107418350	MAKITA EXTENSION TUBES		3				
064	P-81789			1				
065	W6084	CREVICE NOZZLE 35x300		1				
066	P-70346			1				
067	W107418351	PTFE FLAT FILTER VC4210L/M		1				
068	W107418352	MOTOR COOLING FILTER PET		1				
069	P-70378			1				
070	W107418358	EXHAUST AIR ADAPTER		1				
071	W107418353	FLEECE FILTER BAGS VC4210L/M		5				
072	W107418354	LONG-LIFE FILTER BAG		1				
073	W107418355	DISPOSAL BAGS		5				
074	W107418357	MAK PAC HOLDER		2				
075	P-70421			1				
076	W107418356	METAL HANDLE		1				