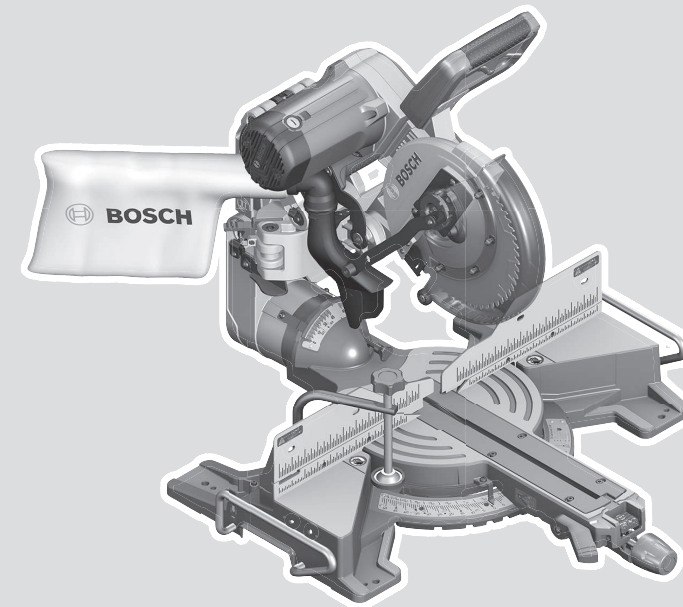




GCM 10 GDJ Professional

HEAVY
DUTY



Robert Bosch Power Tools GmbH
70538 Stuttgart
GERMANY

www.bosch-pt.com

1 609 92A 5PA (2020.09) PS / 105

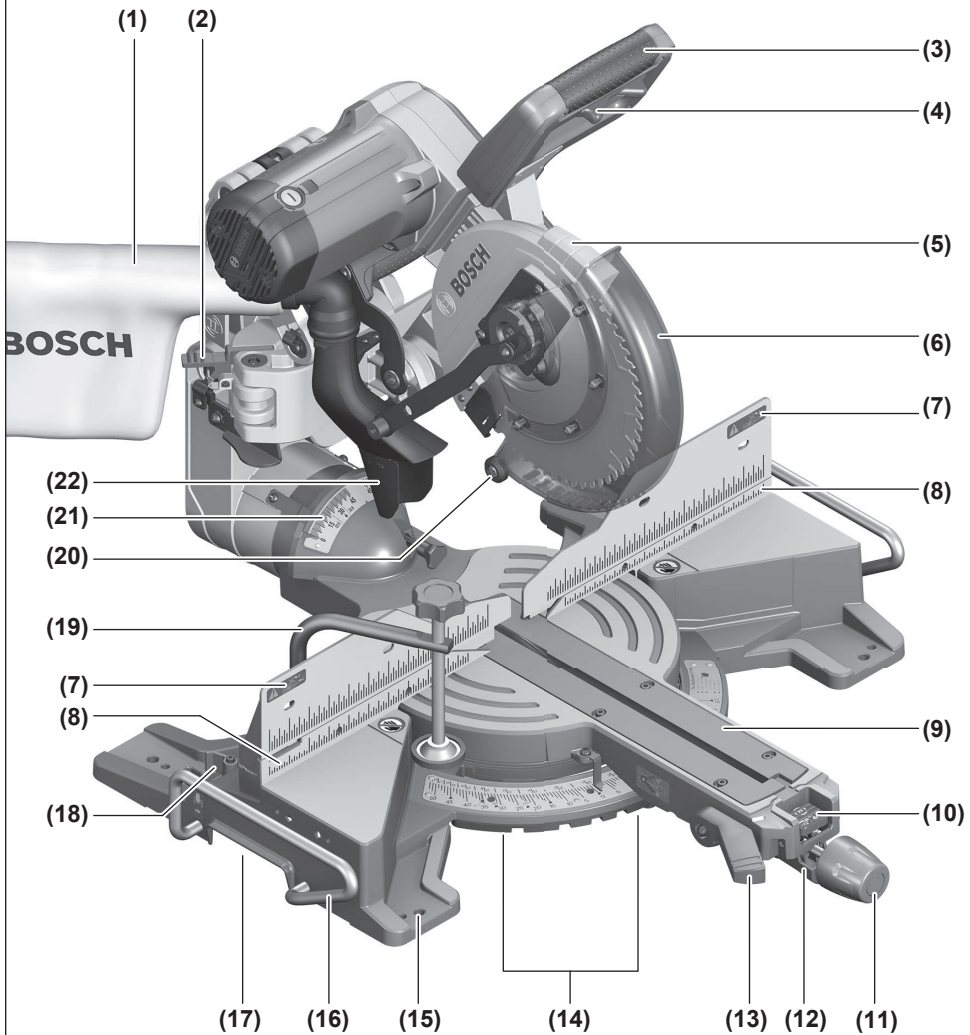


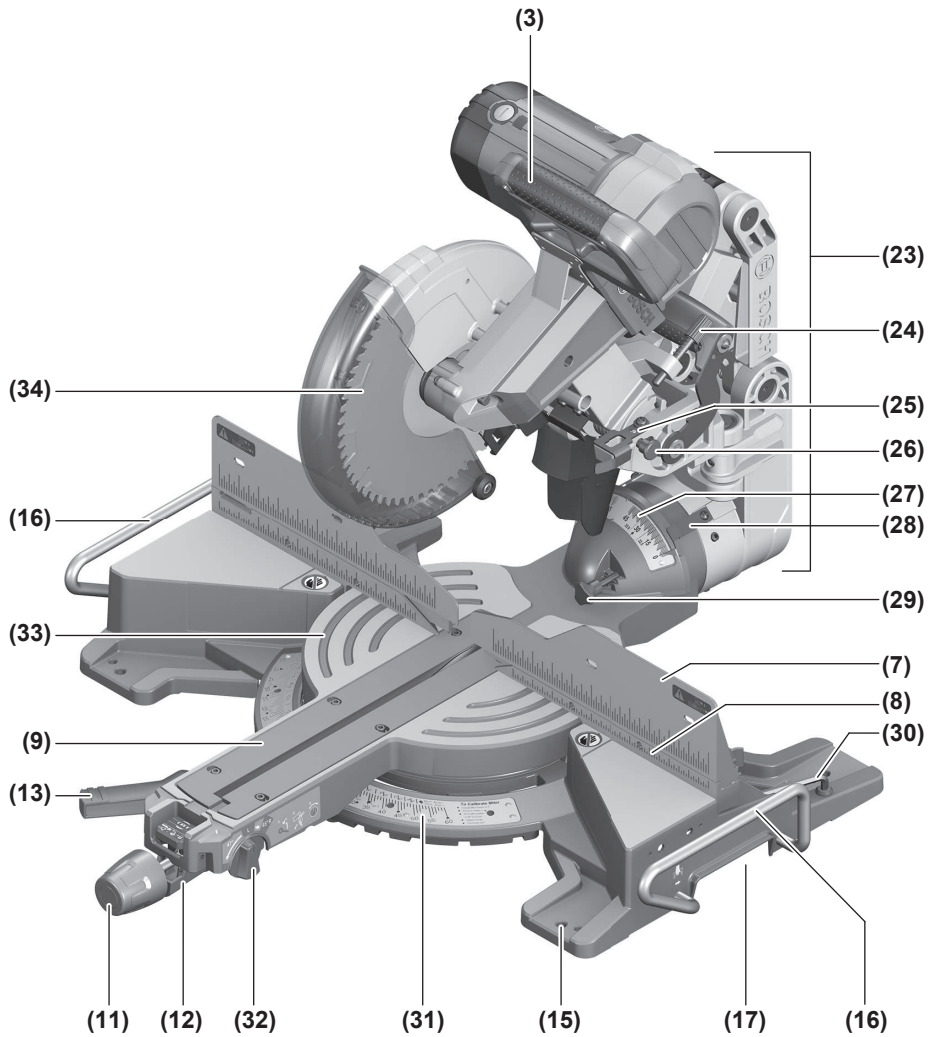
1 609 92A 5PA

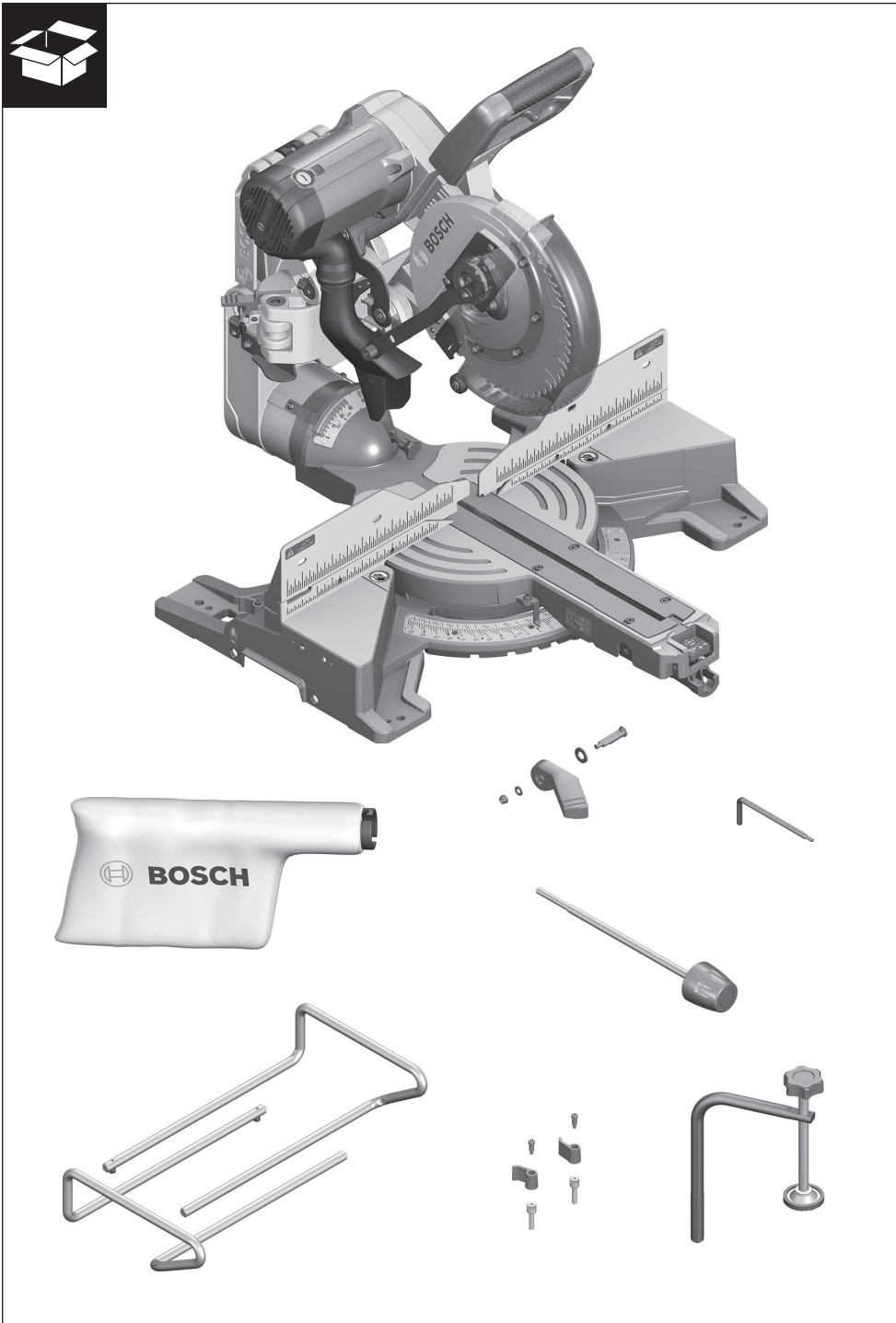
- en Original instructions
- zh 正本使用说明书
- zh 原始使用說明書
- ko 사용 설명서 원본
- th หนังสือคู่มือการใช้งานฉบับต้นแบบ
- id Petunjuk-Petunjuk untuk Penggunaan Orisinal
- vi Bản gốc hướng dẫn sử dụng

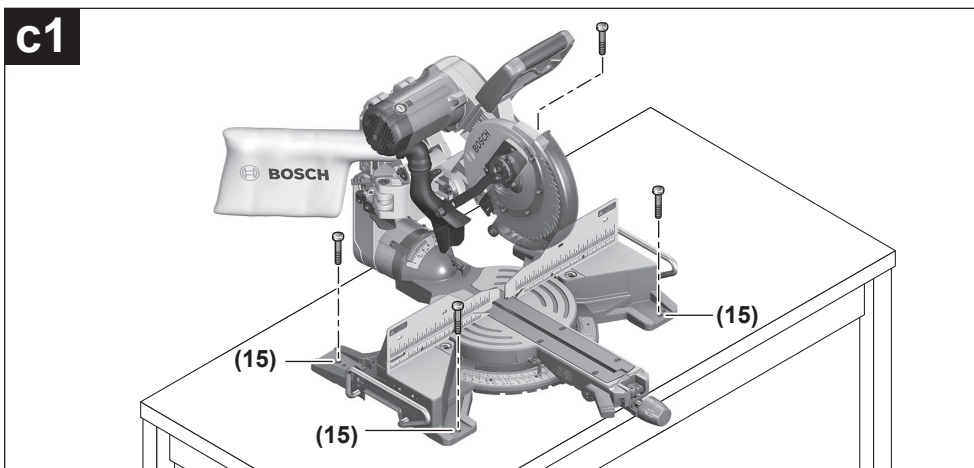
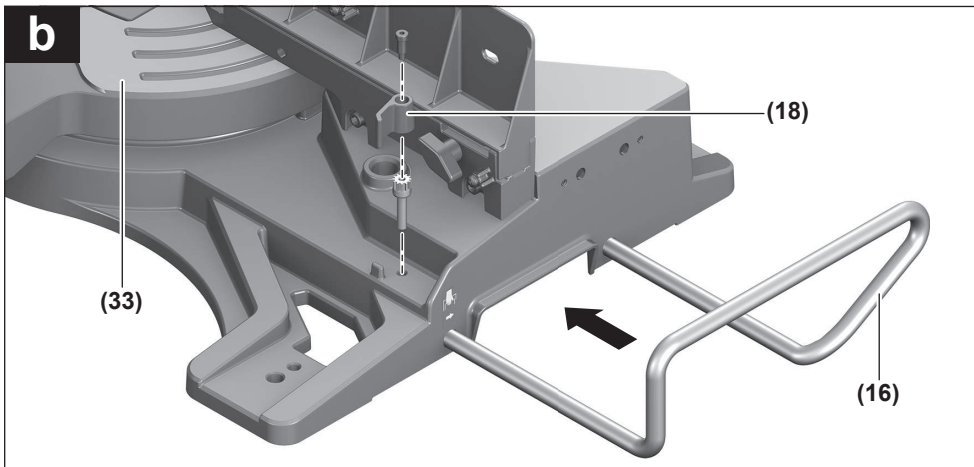
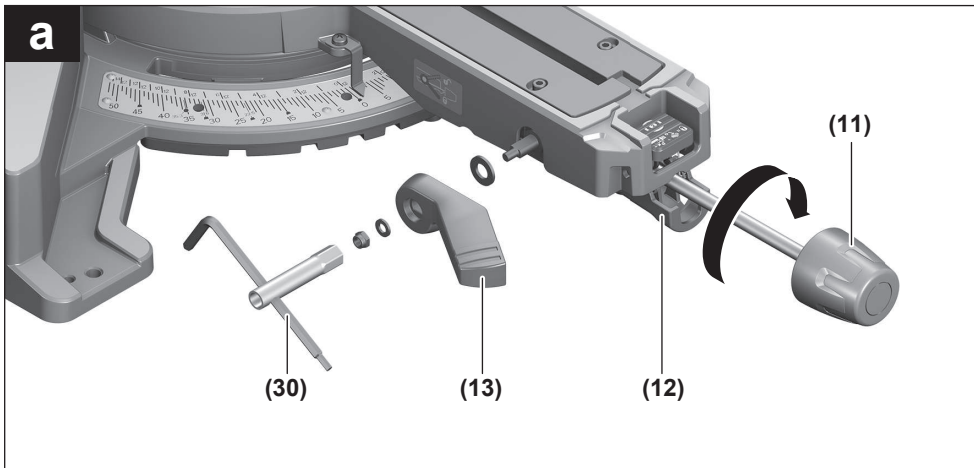


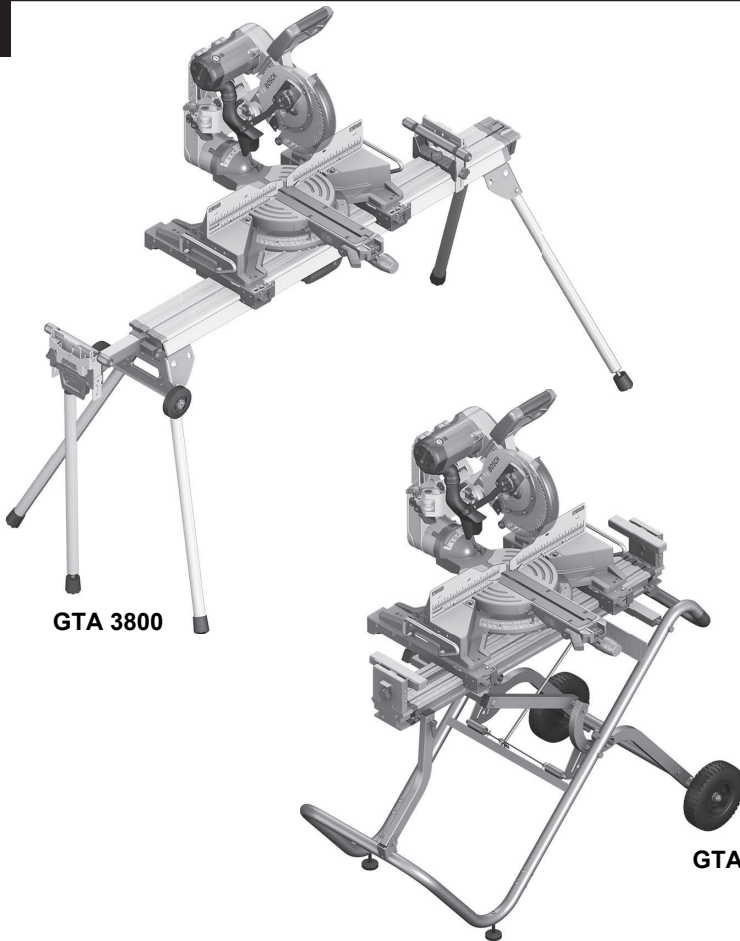
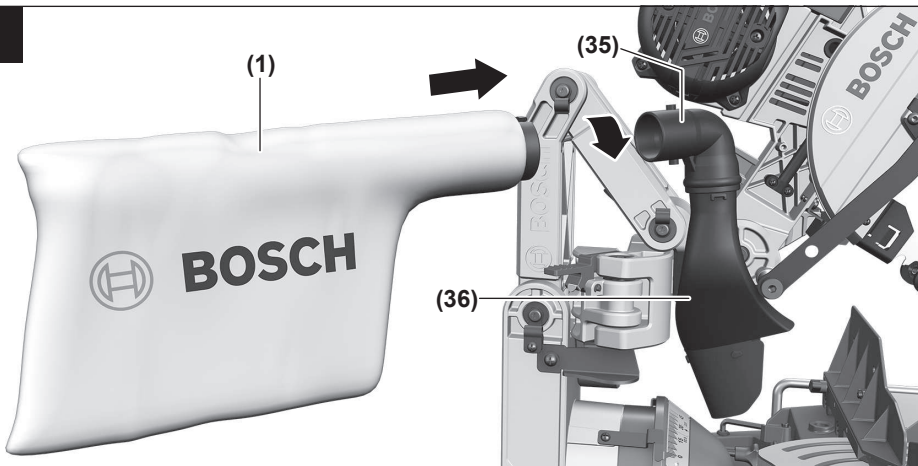
English	Page	17
中文	页	29
繁體中文	頁	40
한국어	페이지	50
ไทย	หน้า	63
Bahasa Indonesia	Halaman	78
Tiếng Việt	Trang	91

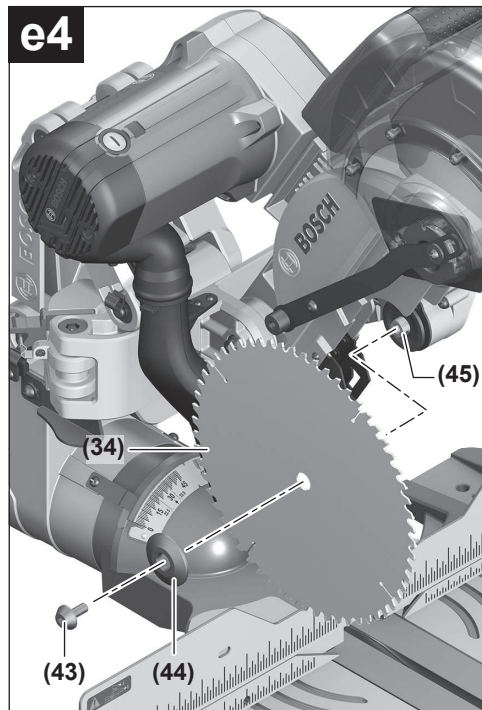
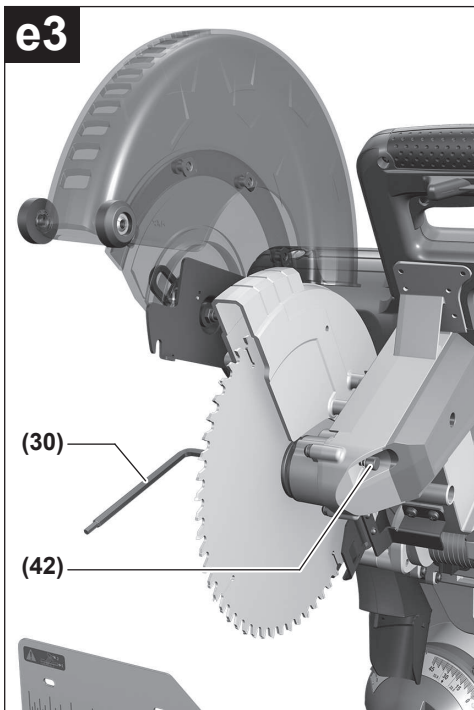
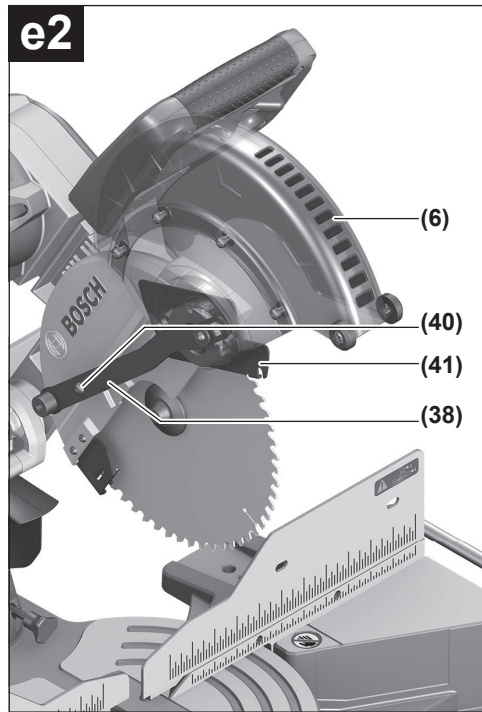
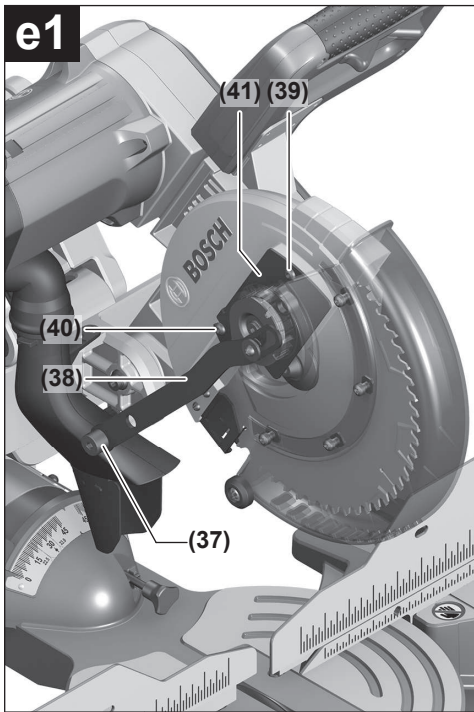


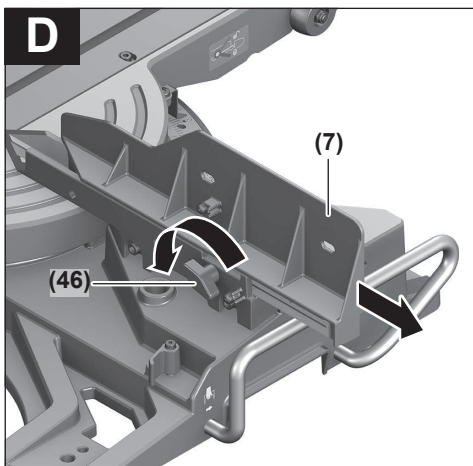
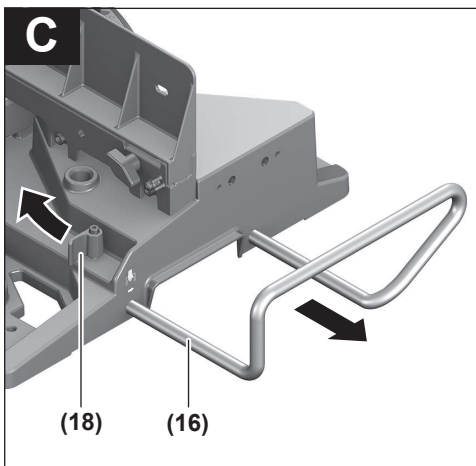
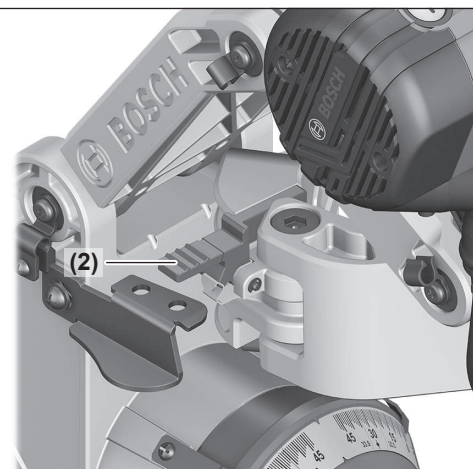
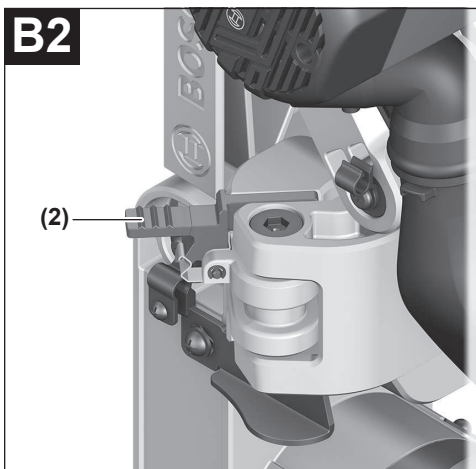
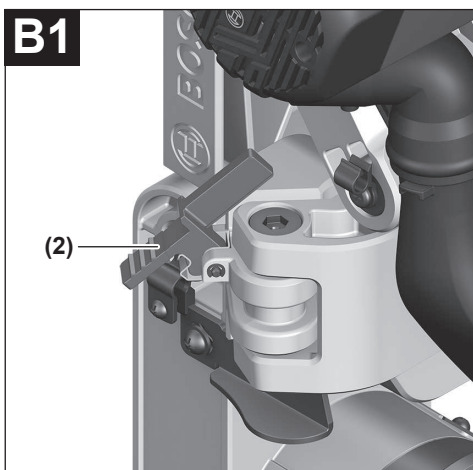
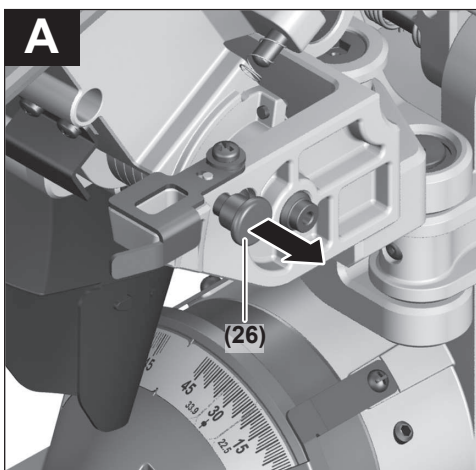


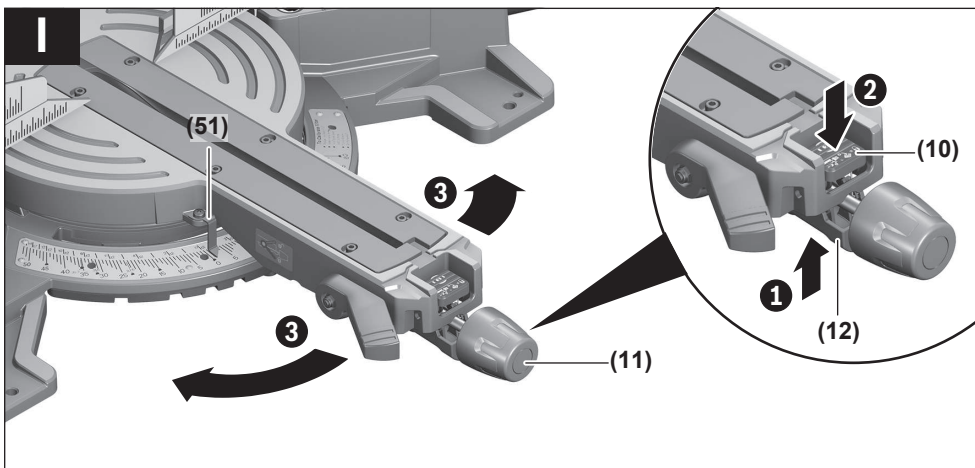
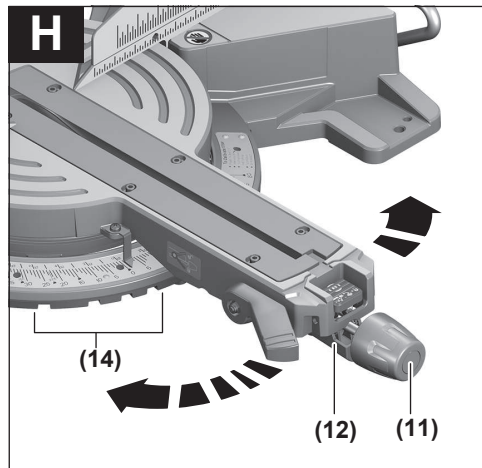
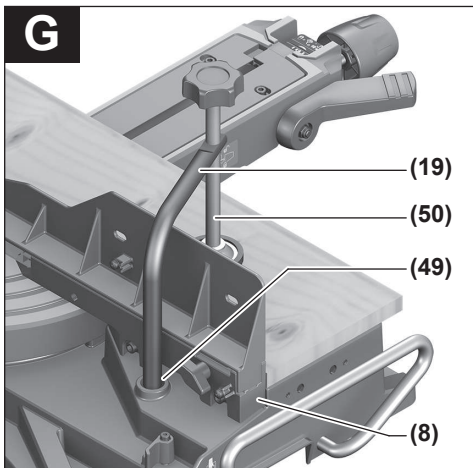
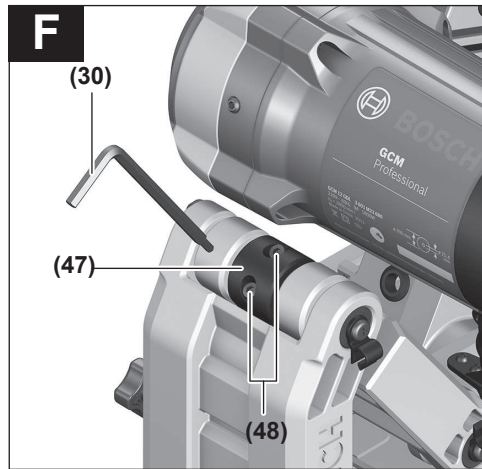
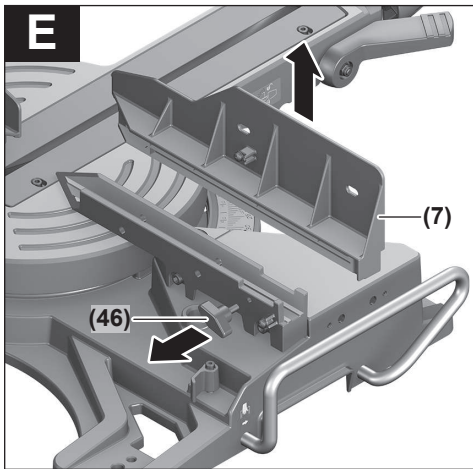


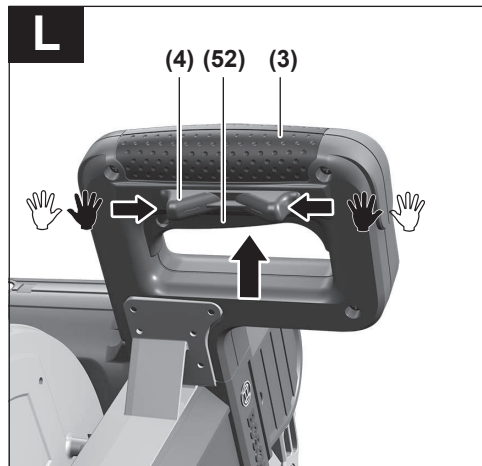
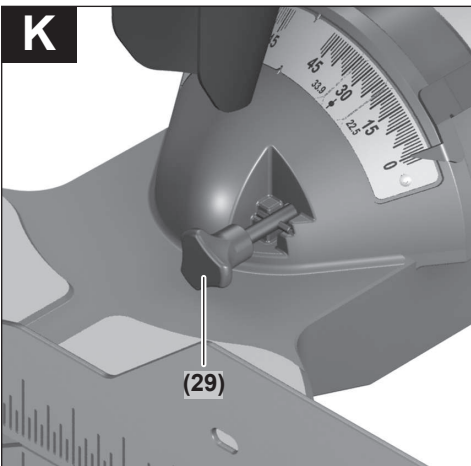
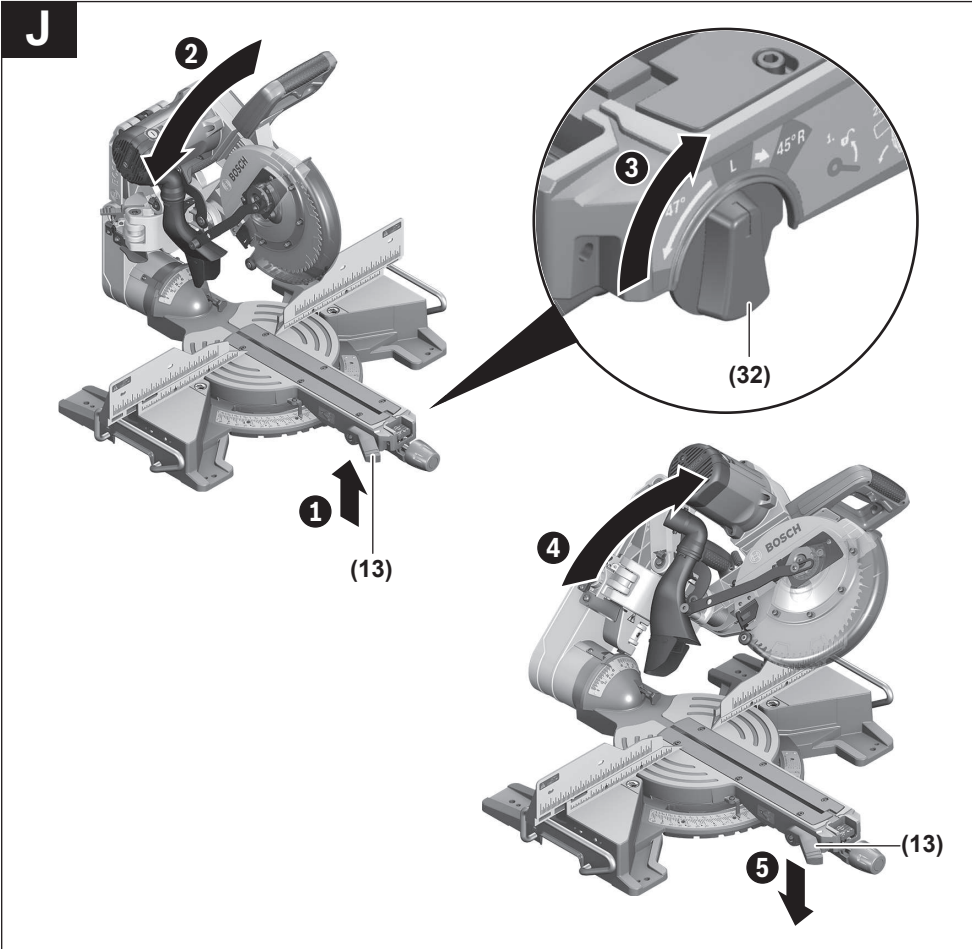


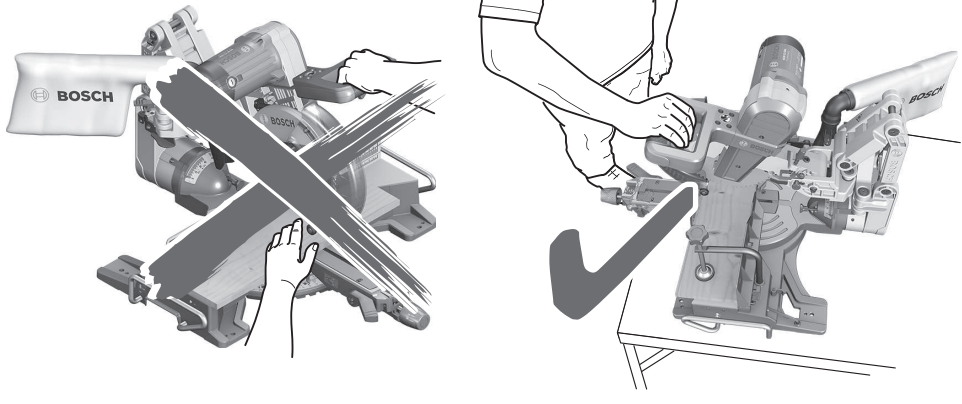
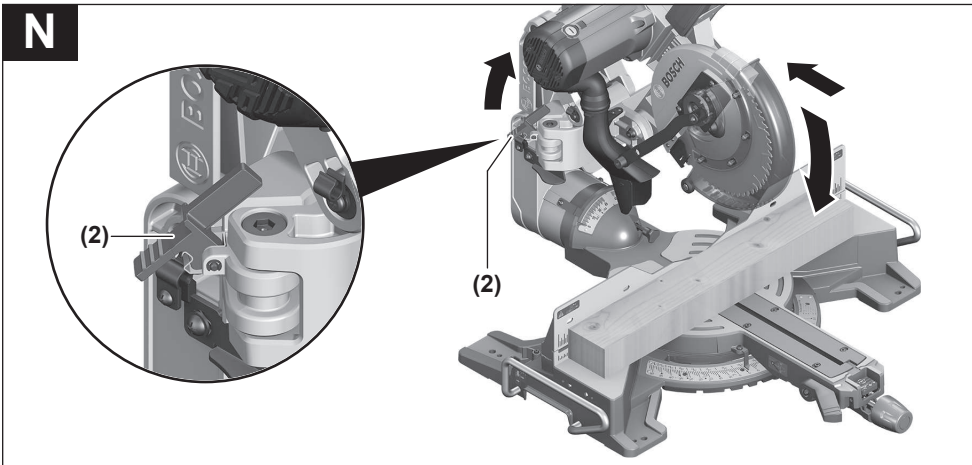
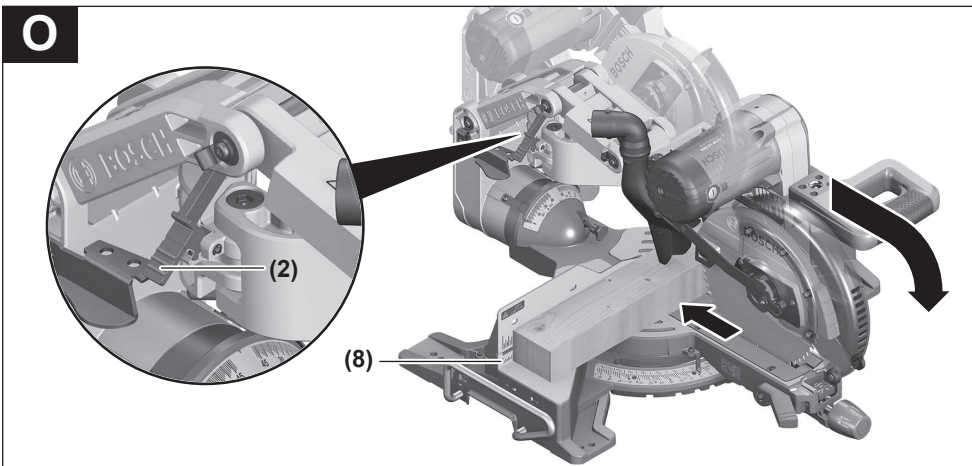
c2**GTA 3800****GTA 2500 W****d**

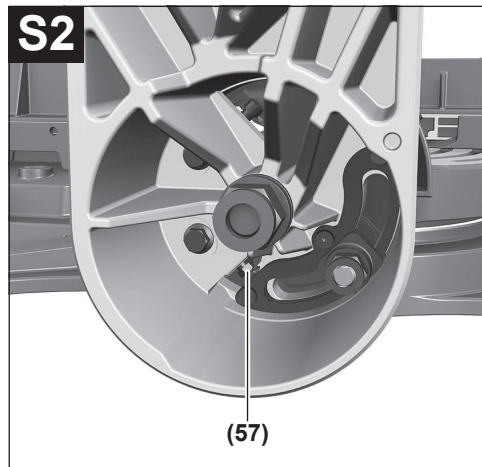
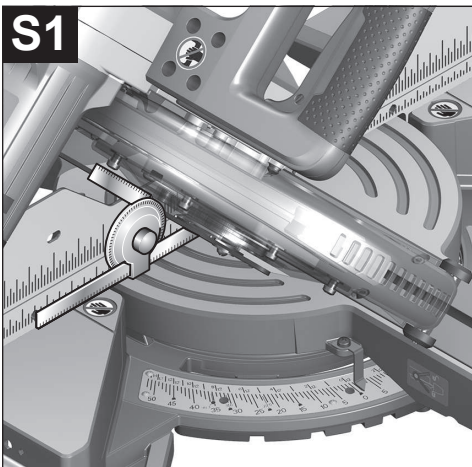
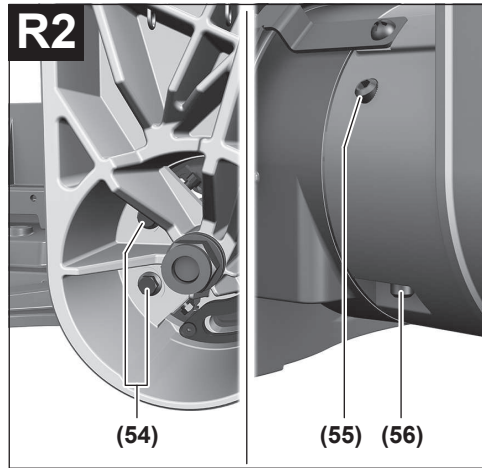
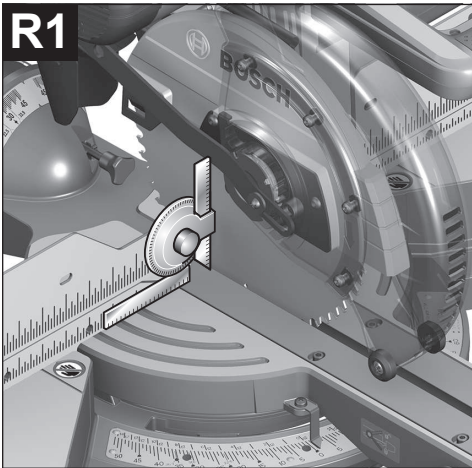
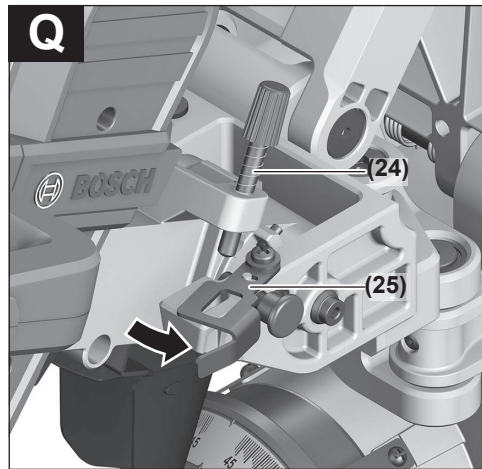
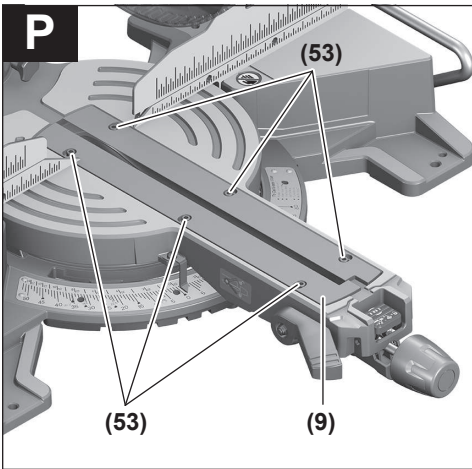


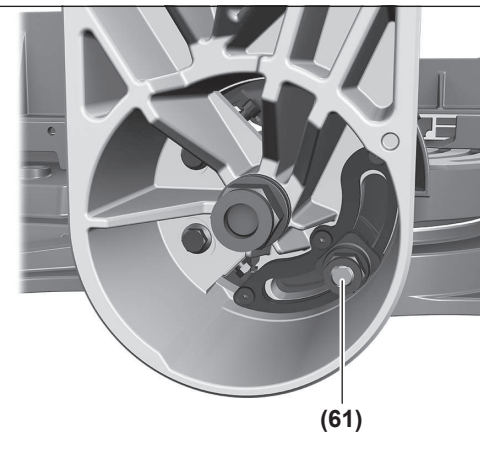
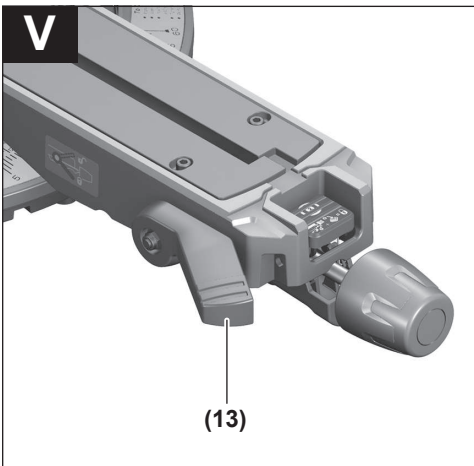
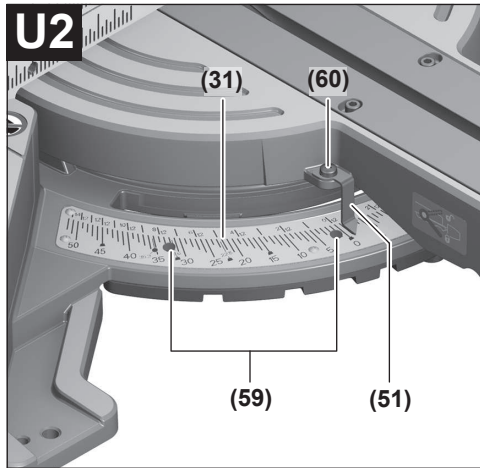
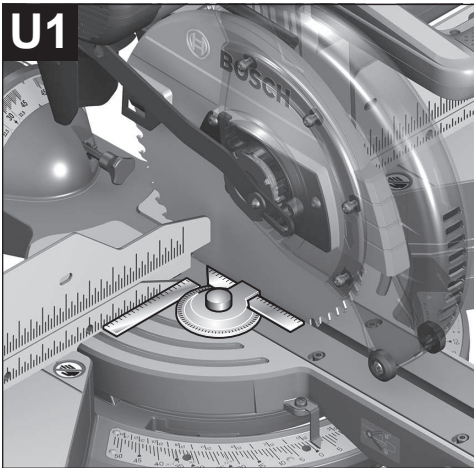
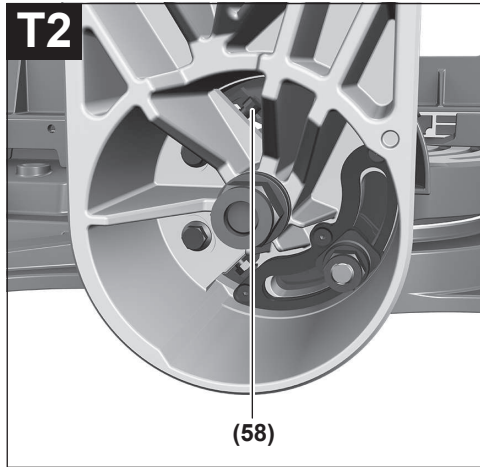
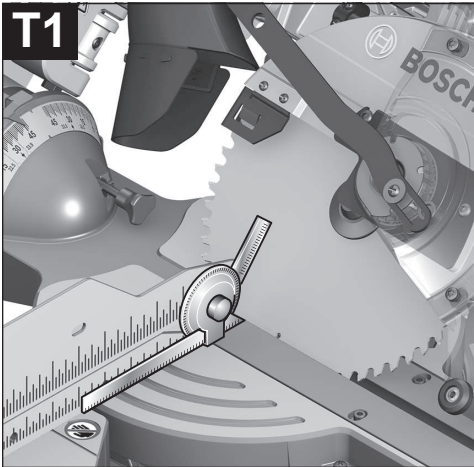




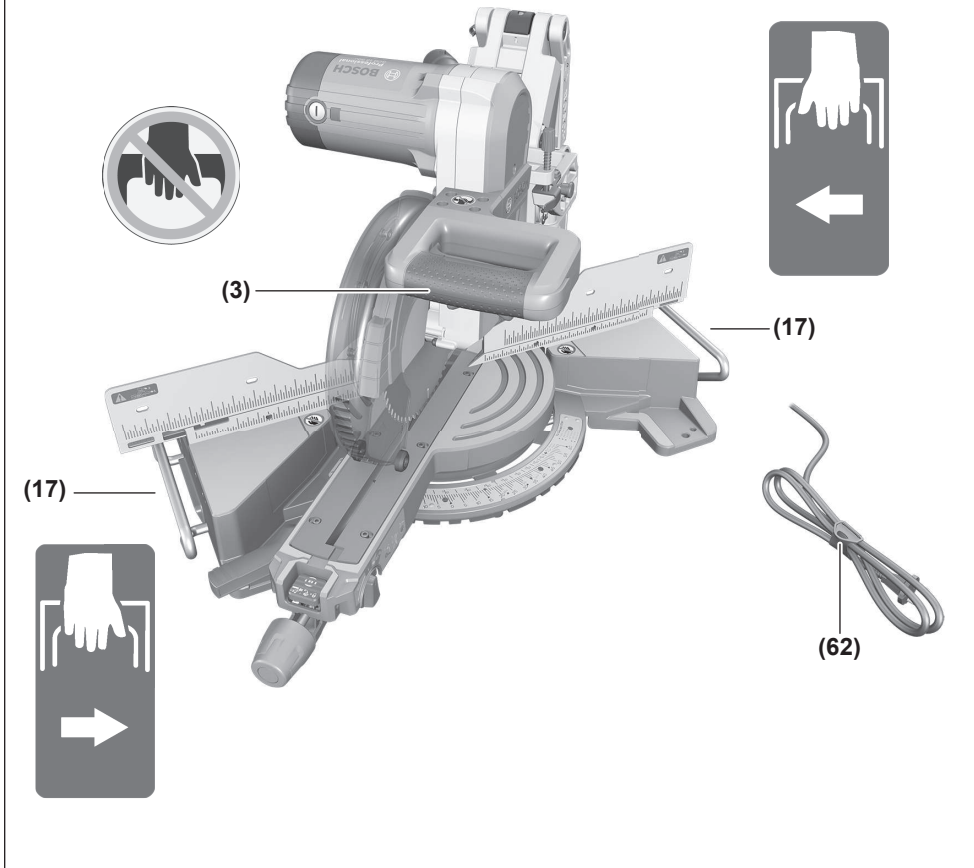


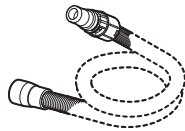
M**N****O**





W

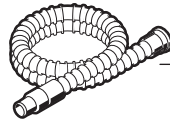
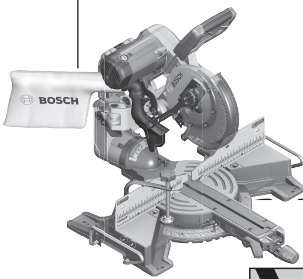




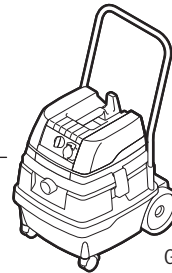
Ø 40 mm:
1 600 A00 0JF (3 m)



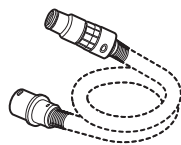
GAS 20 L SFC



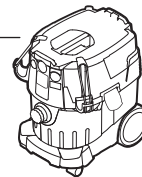
Ø 19 mm:
2 607 002 161 (3 m)
2 607 002 162 (5 m)
Ø 35 mm:
2 607 002 163 (3 m)
2 607 002 164 (5 m)



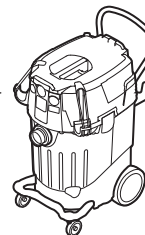
GAS 25 L SFC
GAS 50
GAS 50 M



Ø 22 mm:
2 608 000 571 (3 m)
2 608 000 567 (5 m)
Ø 35 mm:
2 608 000 569 (3 m)
2 608 000 565 (5 m)



GAS 35 L SFC+
GAS 35 L AFC
GAS 35 M AFC



GAS 55 M AFC



Ø 22 mm:
2 608 000 572 (3 m)
2 608 000 568 (5 m)
Ø 35 mm:
2 608 000 570 (3 m)
2 608 000 566 (5 m)

English

Safety instructions

General Power Tool Safety Warnings

⚠ WARNING Read all safety warnings, instructions, illustrations and specifications provided with this power tool. Failure to follow all instructions listed below may result in electric shock, fire and/or serious injury.

Save all warnings and instructions for future reference.

The term "power tool" in the warnings refers to your mains-operated (corded) power tool or battery-operated (cordless) power tool.

Work area safety

- ▶ **Keep work area clean and well lit.** Cluttered or dark areas invite accidents.
- ▶ **Do not operate power tools in explosive atmospheres, such as in the presence of flammable liquids, gases or dust.** Power tools create sparks which may ignite the dust or fumes.
- ▶ **Keep children and bystanders away while operating a power tool.** Distractions can cause you to lose control.

Electrical safety

- ▶ **Power tool plugs must match the outlet. Never modify the plug in any way. Do not use any adapter plugs with earthed (grounded) power tools.** Unmodified plugs and matching outlets will reduce risk of electric shock.
- ▶ **Avoid body contact with earthed or grounded surfaces, such as pipes, radiators, ranges and refrigerators.** There is an increased risk of electric shock if your body is earthed or grounded.
- ▶ **Do not expose power tools to rain or wet conditions.** Water entering a power tool will increase the risk of electric shock.
- ▶ **Do not abuse the cord. Never use the cord for carrying, pulling or unplugging the power tool. Keep cord away from heat, oil, sharp edges or moving parts.** Damaged or entangled cords increase the risk of electric shock.
- ▶ **When operating a power tool outdoors, use an extension cord suitable for outdoor use.** Use of a cord suitable for outdoor use reduces the risk of electric shock.
- ▶ **If operating a power tool in a damp location is unavoidable, use a residual current device (RCD) protected supply.** Use of an RCD reduces the risk of electric shock.

Personal safety

- ▶ **Stay alert, watch what you are doing and use common sense when operating a power tool. Do not use a power tool while you are tired or under the influence of drugs, alcohol or medication.** A moment of inatten-

tion while operating power tools may result in serious personal injury.

- ▶ **Use personal protective equipment. Always wear eye protection.** Protective equipment such as a dust mask, non-skid safety shoes, hard hat or hearing protection used for appropriate conditions will reduce personal injuries.
- ▶ **Prevent unintentional starting. Ensure the switch is in the off-position before connecting to power source and/or battery pack, picking up or carrying the tool.** Carrying power tools with your finger on the switch or energising power tools that have the switch on invites accidents.
- ▶ **Remove any adjusting key or wrench before turning the power tool on.** A wrench or a key left attached to a rotating part of the power tool may result in personal injury.
- ▶ **Do not overreach. Keep proper footing and balance at all times.** This enables better control of the power tool in unexpected situations.
- ▶ **Dress properly. Do not wear loose clothing or jewellery. Keep your hair and clothing away from moving parts.** Loose clothes, jewellery or long hair can be caught in moving parts.
- ▶ **If devices are provided for the connection of dust extraction and collection facilities, ensure these are connected and properly used.** Use of dust collection can reduce dust-related hazards.
- ▶ **Do not let familiarity gained from frequent use of tools allow you to become complacent and ignore tool safety principles.** A careless action can cause severe injury within a fraction of a second.

Power tool use and care

- ▶ **Do not force the power tool. Use the correct power tool for your application.** The correct power tool will do the job better and safer at the rate for which it was designed.
- ▶ **Do not use the power tool if the switch does not turn it on and off.** Any power tool that cannot be controlled with the switch is dangerous and must be repaired.
- ▶ **Disconnect the plug from the power source and/or remove the battery pack, if detachable, from the power tool before making any adjustments, changing accessories, or storing power tools.** Such preventive safety measures reduce the risk of starting the power tool accidentally.
- ▶ **Store idle power tools out of the reach of children and do not allow persons unfamiliar with the power tool or these instructions to operate the power tool.** Power tools are dangerous in the hands of untrained users.
- ▶ **Maintain power tools and accessories. Check for misalignment or binding of moving parts, breakage of parts and any other condition that may affect the power tool's operation. If damaged, have the power tool repaired before use.** Many accidents are caused by poorly maintained power tools.

- ▶ **Keep cutting tools sharp and clean.** Properly maintained cutting tools with sharp cutting edges are less likely to bind and are easier to control.
- ▶ **Use the power tool, accessories and tool bits etc. in accordance with these instructions, taking into account the working conditions and the work to be performed.** Use of the power tool for operations different from those intended could result in a hazardous situation.
- ▶ **Keep handles and grasping surfaces dry, clean and free from oil and grease.** Slippery handles and grasping surfaces do not allow for safe handling and control of the tool in unexpected situations.

Service

- ▶ **Have your power tool serviced by a qualified repair person using only identical replacement parts.** This will ensure that the safety of the power tool is maintained.

Safety Warnings for Mitre Saws

- ▶ **Mitre saws are intended to cut wood or wood-like products, they cannot be used with abrasive cut-off wheels for cutting ferrous material such as bars, rods, studs, etc.** Abrasive dust causes moving parts such as the lower guard to jam. Sparks from abrasive cutting will burn the lower guard, the kerf insert and other plastic parts.
- ▶ **Use clamps to support the workpiece whenever possible. If supporting the workpiece by hand, you must always keep your hand at least 100 mm from either side of the saw blade. Do not use this saw to cut pieces that are too small to be securely clamped or held by hand.** If your hand is placed too close to the saw blade, there is an increased risk of injury from blade contact.
- ▶ **The workpiece must be stationary and clamped or held against both the fence and the table. Do not feed the workpiece into the blade or cut “freehand” in any way.** Unrestrained or moving workpieces could be thrown at high speeds, causing injury.
- ▶ **Push the saw through the workpiece. Do not pull the saw through the workpiece. To make a cut, raise the saw head and pull it out over the workpiece without cutting, start the motor, press the saw head down and push the saw through the workpiece.** Cutting on the pull stroke is likely to cause the saw blade to climb on top of the workpiece and violently throw the blade assembly towards the operator.
- ▶ **Never cross your hand over the intended line of cutting either in front or behind the saw blade.** Supporting the workpiece “cross handed” i.e. holding the workpiece to the right of the saw blade with your left hand or vice versa is very dangerous.
- ▶ **Do not reach behind the fence with either hand closer than 100 mm from either side of the saw blade, to remove wood scraps, or for any other reason while the blade is spinning.** The proximity of the spinning saw blade to your hand may not be obvious and you may be seriously injured.
- ▶ **Inspect your workpiece before cutting. If the workpiece is bowed or warped, clamp it with the outside bowed face toward the fence. Always make certain that there is no gap between the workpiece, fence and table along the line of the cut.** Bent or warped workpieces can twist or shift and may cause binding on the spinning saw blade while cutting. There should be no nails or foreign objects in the workpiece.
- ▶ **Do not use the saw until the table is clear of all tools, wood scraps, etc., except for the workpiece.** Small debris or loose pieces of wood or other objects that contact the revolving blade can be thrown with high speed.
- ▶ **Cut only one workpiece at a time.** Stacked multiple workpieces cannot be adequately clamped or braced and may bind on the blade or shift during cutting.
- ▶ **Ensure the mitre saw is mounted or placed on a level, firm work surface before use.** A level and firm work surface reduces the risk of the mitre saw becoming unstable.
- ▶ **Plan your work. Every time you change the bevel or mitre angle setting, make sure the adjustable fence is set correctly to support the workpiece and will not interfere with the blade or the guarding system.** Without turning the tool “ON” and with no workpiece on the table, move the saw blade through a complete simulated cut to assure there will be no interference or danger of cutting the fence.
- ▶ **Provide adequate support such as table extensions, saw horses, etc. for a workpiece that is wider or longer than the table top.** Workpieces longer or wider than the mitre saw table can tip if not securely supported. If the cut-off piece or workpiece tips, it can lift the lower guard or be thrown by the spinning blade.
- ▶ **Do not use another person as a substitute for a table extension or as additional support.** Unstable support for the workpiece can cause the blade to bind or the workpiece to shift during the cutting operation pulling you and the helper into the spinning blade.
- ▶ **The cut-off piece must not be jammed or pressed by any means against the spinning saw blade.** If confined, i.e. using length stops, the cut-off piece could get wedged against the blade and thrown violently.
- ▶ **Always use a clamp or a fixture designed to properly support round material such as rods or tubing.** Rods have a tendency to roll while being cut, causing the blade to “bite” and pull the work with your hand into the blade.
- ▶ **Let the blade reach full speed before contacting the workpiece.** This will reduce the risk of the workpiece being thrown.
- ▶ **If the workpiece or blade becomes jammed, turn the mitre saw off. Wait for all moving parts to stop and disconnect the plug from the power source and/or remove the battery pack. Then work to free the jammed material.** Continued sawing with a jammed workpiece could cause loss of control or damage to the mitre saw.
- ▶ **After finishing the cut, release the switch, hold the saw head down and wait for the blade to stop before**

removing the cut-off piece. Reaching with your hand near the coasting blade is dangerous.

- ▶ **Hold the handle firmly when making an incomplete cut or when releasing the switch before the saw head is completely in the down position.** The braking action of the saw may cause the saw head to be suddenly pulled downward, causing a risk of injury.
- ▶ **Keep your work area clean.** Material mixtures are particularly hazardous. Light metal dust may catch fire or explode.
- ▶ **Do not use dull, cracked, bent or damaged saw blades. Unsharpened or improperly set saw blades produce narrow kerf causing excessive friction, blade binding and kickback.**
- ▶ **Do not use saw blades made from high speed steel (HSS).** Such saw blades can easily break.
- ▶ **Always use saw blades with correct size and shape (diamond versus round) of arbour holes.** Saw blades that do not match the mounting hardware of the saw will run off-centre, causing loss of control.
- ▶ **Never remove cuttings, wood chips, etc. from the cutting area while the power tool is running.** Always guide the tool arm back to the neutral position first and then switch the power tool off.
- ▶ **Do not touch the saw blade after working before it has cooled.** The saw blade becomes very hot while working.

Products sold in GB only:

Your product is fitted with an BS 1363/A approved electric plug with internal fuse (ASTA approved to BS 1362).

If the plug is not suitable for your socket outlets, it should be cut off and an appropriate plug fitted in its place by an authorised customer service agent. The replacement plug should have the same fuse rating as the original plug.

The severed plug must be disposed of to avoid a possible shock hazard and should never be inserted into a mains socket elsewhere.

Symbols

The following symbols may be important for the operation of your power tool. Please take note of these symbols and their meaning. Correctly interpreting the symbols will help you to operate the power tool more effectively and safely.

Symbols and their meaning



Keep hands away from the cutting area while the power tool is running. Contact with the saw blade can lead to injuries.



Wear a dust mask.

Symbols and their meaning



Wear safety goggles.



Wear hearing protection. Exposure to noise can cause hearing loss.



Danger area! Keep hands, fingers and arms away from this area.



Keep your fingers away from the moving parts of the glide arm. There is a risk of fingers being crushed and severely injured.

3 601 M27 04.

3 601 M27 0L.

3 601 M27 08.

3 601 M27 0B.

3 601 M27 0K.

$\varnothing 254\text{mm}$ $\varnothing 25.4\text{mm}$

Take note of the dimensions of the saw blade. The hole diameter must fit the tool spindle without play. If it is necessary to use reducers, ensure that the dimensions of the reducer are suitable for the base blade thickness and the saw blade hole diameter, as well as the tool spindle diameter. Wherever possible, use the reducers provided with the saw blade.

3 601 M27 00.

3 601 M27 03.

3 601 M27 06.

3 601 M27 07.

$\varnothing 254\text{mm}$ $\varnothing 30\text{mm}$

The saw blade diameter must match the information specified on the symbol.



When transporting the power tool, hold it only at the locations (recessed handles) indicated.



Never carry the power tool using the handle of the glide arm.



For bevel angles, you need to adjust the left/right fence extension or completely remove it.



Clamping handle open:
Bevel angles can be adjusted.

Clamping handle closed:
The set bevel angle of the glide arm is locked.

Symbols and their meaning



Indicates the individual steps for adjusting the bevel angle.

1. Loosen the clamping handle
2. Swivel the glide arm slightly to the left
3. Set the required bevel angle range using the rotary knob



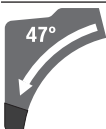
Setting the bevel angle ranges using the rotary knob:



Saw blade inclination to the left (45° to 0°)



Saw blade inclination to the right (0° to 45°)



Entire swivel range of the glide arm (-47° to +47°)



To set a mitre angle, the saw table must be able to move freely and the mitre detent override must be blocked:



– Pull lever ❶ and at the same time push the mitre detent override downward at the front ❷.

Product Description and Specifications



Read all the safety and general instructions.

Failure to observe the safety and general instructions may result in electric shock, fire and/or serious injury.

Please observe the illustrations at the beginning of this operating manual.

Intended Use

The power tool is intended as a stationary machine for making straight cuts in wood with and against the grain. It is possible to cut mitre angles of -52° to +60° and bevel angles of 47° (to the left) to 47° (to the right).

The power tool is designed with sufficient capacity for sawing hardwood and softwood as well as chipboard and fibre-board.

When using appropriate saw blades, sawing aluminium profiles and plastic is also possible.

Product Features

The numbering of the product features refers to the diagram of the power tool on the graphics page.

- | | |
|--|--|
| <ol style="list-style-type: none"> (1) Dust bag (2) Glide mechanism clamping lever | <ol style="list-style-type: none"> (3) Handle (4) Lock-off function for on/off switch (5) Protective guard (6) Retracting blade guard (7) Adjustable fence (8) Fence (9) Insert plate (10) Mitre detent override (11) Locking knob for all mitre angles (12) Mitre pre-setting lever (13) Clamping handle for all bevel angles (14) Detents for standard mitre angles (15) Assembly holes (16) Extension bar (17) Recessed handles (18) Extension bar clamping lever (19) Screw clamp (20) Guide roller (21) Angle indicator for right-hand bevel angle range (0° to 47°) (22) Chip deflector (23) Glide arm (24) Depth stop adjusting screw (25) Depth stop (26) Transport safety lock (27) Scale for bevel angles (28) Angle indicator for left-hand bevel angle range (47° to 0°) (29) Adjustment knob for 22.5° bevel angle (30) Hex key (6 mm/4 mm) (31) Scale for mitre angles (32) Rotary knob for adjusting the bevel angle range (33) Saw table (34) Saw blade (35) Dust extraction adapter (36) Chip ejector (37) Locking screw for the linkage of the retracting blade guard (38) Linkage of the retracting blade guard (39) Front fastening screw (cover plate/retracting blade guard) (40) Rear fastening screw (cover plate/retracting blade guard) (41) Cover plate (42) Spindle lock (43) Hex socket screw for mounting the saw blade (44) Clamping flange (45) Inner clamping flange |
|--|--|

- (46) Locking screw for the adjustable fence
- (47) Damper
- (48) Set screws for damping
- (49) Holes for screw clamp
- (50) Threaded rod
- (51) Angle indicator for mitre angles
- (52) On/off switch
- (53) Screws for insert plate
- (54)/ (55)/ (56) Set screws for 0° basic setting (bevel angle)
- (57) Set screw for 45° basic setting (left-hand bevel angle)
- (58) Set screw for 45° basic setting (right-hand bevel angle)
- (59) Set screws for mitre angle scale
- (60) Screw for mitre angle indicator
- (61) Set screw for adjusting the clamping force of the clamping handle for any bevel angle
- (62) Hook-and-loop strap

Technical Data

Sliding mitre saw		GCM 10 GDJ	GCM 10 GDJ
Article number		3 601 M27 04. 3 601 M27 0L. 3 601 M27 08. 3 601 M27 0B. 3 601 M27 0K.	3 601 M27 00. 3 601 M27 03. 3 601 M27 06. 3 601 M27 07.
Rated power input	W	2000	2000
No-load speed	min ⁻¹	5000	5000
Starting current limitation		●	●
Weight according to EPTA-Procedure 01:2014	kg	31.6	31.6
Protection class		□/II	□/II
Dimensions of suitable saw blades			
Saw blade diameter	mm	254	254
Base blade thickness	mm	1.7–2.6	1.7–2.6
Max. cutting width	mm	3.2	3.2
Hole diameter	mm	25.4	30

The specifications apply to a rated voltage [U] of 230 V. These specifications may vary at different voltages and in country-specific models. Permitted workpiece dimensions (maximum/minimum): (see "Permissible workpiece dimensions", page 26)

Assembly

- **Avoid starting the power tool unintentionally. The mains plug must not be connected to the power supply during assembly or when carrying out any kind of work on the power tool.**

Items Included



See the list of items included at the start of the operating manual.

Check to ensure that all the parts listed below have been supplied before using the power tool for the first time:

- Sliding mitre saw with mounted saw blade **(34)**
- Locking knob **(11)**
- Clamping handle **(13)** with fastening set

- Extension bar **(16)** and clamping lever **(18)** with fastening set
- Dust bag **(1)**
- Hex key **(30)**
- Screw clamp **(19)**

Note: Check the power tool for possible damage.

Before continuing to use the power tool, carefully check that all protective devices or slightly damaged parts are working perfectly and according to specifications. Check that the moving parts are working perfectly and without jamming; check whether any parts are damaged. All parts must be fitted correctly and all the conditions necessary to ensure smooth operation must be met.

If the protective devices or any parts become damaged, you must have them properly repaired or replaced by an authorised service centre.

Extra tools required (not included in the delivery):

- Cross-headed screwdriver
- Ratchet spanner (size: 8 mm)

- Ring spanner, open-ended spanner or socket spanner (sizes: 10 mm and 17 mm)

Fitting individual components

- Carefully remove all parts included in the delivery from their packaging.
- Remove all packing material from the power tool and the accessories provided.

Fitting the locking knob (see figure a)

- Screw the locking knob (11) into the corresponding hole above the lever (12).
- ▶ **Always tighten the locking knob (11) firmly before sawing.** Otherwise the saw blade can become wedged in the workpiece.

Fitting the Clamping Handle for Various Bevel Angles (see figure a)

To fit the clamping handle (13), use the fastening set provided (socket spanner, nut, two washers).

- Place the individual components in the order shown (large washer, clamping handle, small washer, nut) onto the threaded bolts on the power tool.
- For better power transfer when tightening the nut, insert the hex key (30) provided through the holes on the socket spanner.
- Tighten the nut.

Fitting the Extension Bar (see figure b)

To fit the extension bar (16), use the fastening set provided (two clamping levers (18), two spring bolts, two knurled screws).

- Slide the extension bar (16) in as far as it will go into the corresponding holes in the saw table (33).
- Drive the knurled screws by hand into the corresponding holes.
- Place the clamping lever (18) on the head of the knurled screw.
- Fix the clamping lever (18) in place using the spring bolt.
- Increase the clamping force of the clamping lever (18) by tightening the spring bolts using the hex key (30) provided.

Stationary or flexible mounting

- ▶ **To ensure safe handling, the power tool must be mounted on a flat, stable work surface (e.g. work bench) before use.**

Mounting on a work surface (see figure c1)

- Use suitable screw fasteners to secure the power tool to the work surface. The holes (15) are used for this purpose.

or

- Firmly clamp the base of the power tool to the work surface with commercially available screw clamps.

Mounting on a Bosch saw stand

(see figure c2)

(GTA 2500 W, GTA 3700, GTA 3800)

With the height-adjustable legs, Bosch GTA saw stands provide firm support for the power tool on any surface. The workpiece supports of the saw stand are used for underlaying long workpieces.

- ▶ **Read all the warnings and instructions included with the saw stand.** Failure to observe the warnings and follow instructions may result in electric shock, fire and/or serious injury.
- ▶ **Assemble the saw stand properly before mounting the power tool.** Correct assembly is important to prevent the risk of collapsing.
 - Mount the power tool on the saw stand in the transport position.

Dust/Chip Extraction

The dust from materials such as lead paint, some types of wood, minerals and metal can be harmful to human health. Touching or breathing in this dust can trigger allergic reactions and/or cause respiratory illnesses in the user or in people in the near vicinity.

Certain dusts, such as oak or beech dust, are classified as carcinogenic, especially in conjunction with wood treatment additives (chromate, wood preservative). Materials containing asbestos may only be machined by specialists.

- Use a dust extraction system that is suitable for the material wherever possible.
- Provide good ventilation at the workplace.
- It is advisable to wear a P2 filter class breathing mask.

The regulations on the material being machined that apply in the country of use must be observed.

- ▶ **Avoid dust accumulation at the workplace.** Dust can easily ignite.

The dust/chip extraction system can be blocked by dust, chips or fragments of the workpiece.

- Switch the power tool off and pull the mains plug out of the socket.
- Wait until the saw blade has come to a complete stop.
- Determine the cause of the blockage and eliminate it.

Self-generated dust extraction (see figure d)

For basic chip collection, use the dust bag (1) provided.

- Place the dust bag (1) onto the extraction adapter (35) and turn so that the pin of the extraction adapter locks in place in the recess of the dust bag.

During sawing, the dust bag must not come into contact with moving tool components.

Always empty the dust bag in good time.

- ▶ **Check and clean the dust bag each time after using.**
- ▶ **When sawing aluminium, remove the dust bag to avoid the risk of fire.**

External Dust Extraction

You can also attach a dust extraction hose (mm diameter) to the extraction adapter (35) for extraction.

- Connect the dust extraction hose to the extraction adapter (35).

The dust extractor must be suitable for the material being worked.

When extracting dry dust that is especially detrimental to health or carcinogenic, use a special dust extractor.

Cleaning the dust extraction adapter

To ensure optimum extraction, the dust extraction adapter (35) must be cleaned regularly.

- Pull the dust extraction adapter (35) off the chip ejector (36) with a twisting motion.
- Remove workpiece fragments and chippings.
- Reattach the dust extraction adapter to the chip ejector with a twisting motion until it engages above the chip ejector holding ring.

Changing the saw blade (see figures e1–e4)

► **Pull the plug out of the socket before carrying out any work on the power tool.**

► **Wear protective gloves when fitting the saw blade.**

There is a risk of injury when touching the saw blade.

Only use saw blades that have a maximum permitted speed higher than the no-load speed of the power tool.

Only use saw blades that match the specifications given in this operating manual and that have been tested and marked in accordance with EN 847-1.

Only use saw blades that are recommended by the power tool manufacturer and are suitable for use on the material you want to saw. This will prevent the saw teeth overheating when sawing.

Removing the Saw Blade

- Bring the power tool into the work position.
- Loosen the locking screw (37) with the hex key (6 mm) (30) until the linkage (38) can hang freely.
- Loosen the fastening screw (39) (by approx. two turns) using the hex key (4 mm) (30).
Do not unscrew the screw completely.
- Loosen the fastening screw (40) (by approx. six turns) using the hex key (4 mm) (30).
Do not unscrew the screw completely.
- Pull the cover plate (41) forwards and downwards away from the fastening screw (40).
- Swivel the retracting blade guard (6) to the back and hold it in this position.
- Hang the linkage (38) over the fastening screw (40) using a hole.
This will hold the retracting blade guard open.
- Turn the hex socket screw (43) with the hex key (6 mm) (30) and at the same time push the spindle lock (42) until it engages.

- Keep holding the spindle lock (42) and loosen the hex socket screw (43) by turning it clockwise (left-hand thread).
- Remove the clamping flange (44).
- Remove the saw blade (34).

Fitting the saw blade

► **When fitting the saw blade, make sure that the cutting direction of the teeth (arrow direction on the saw blade) matches the direction of the arrow on the protective guard.**

If required, clean all the parts you want to fit before installing them.

- Place the new saw blade on the inner clamping flange (45).
- Fit the clamping flange (44) and the hex socket screw (43). Press the spindle lock (42) until it engages and tighten the hex socket screw by turning it anticlockwise.
- Release the linkage (38) from the fastening screw (40) and guide the retracting blade guard (6) back down.
- Slide the cover plate (41) back under the fastening screw (40).
- Retighten the fastening screws (40) and (39).
- Slide the linkage (38) into its original position and retighten the locking screw (37) using the hex key (6 mm) (30).

Operation

► **Pull the plug out of the socket before carrying out any work on the power tool.**

Transport Safety Lock (see figure A)

The transport safety lock (26) makes it easier to handle the power tool when transporting it to various working locations.

Unlocking the Power Tool (Work Position)

- Press the glide arm (23) down slightly by the handle (3) to release the transport safety lock (26).
- Pull the transport safety lock (26) all the way out.
- Slowly guide the glide arm (23) upwards.

Locking the Power Tool (Transport Position)

- Slide the glide arm (23) all the way back and secure it in this position.
- Guide the glide arm downwards until you can press the transport safety lock (26) all the way in.

Further information: Transport

Locking the Glide Arm

The glide mechanism of the glide arm (23) can be locked with the clamping lever (2). The glide arm can be placed in two positions:

- Glide arm pushed all the way back (for cross cuts)
- Glide arm pulled all the way forward (for a compact transport position)

Unlocking the Glide Arm (see figure B1)

After unlocking the glide arm (23), the whole gliding mechanism is ready for operation.

- Press the clamping lever (2) all the way down.
- The clamping wedge of the clamping lever releases the two articulated parts at the bottom of the glide arm.

Securing the Glide Arm (see figure B2)

Glide arm pushed all the way back:

- Push the glide arm (23) all the way back.
- The two articulated parts at the top of the glide arm are now upright and closed.
- Pull the clamping lever (2) upwards until the clamping wedge is positioned between the two articulated parts at the bottom of the glide arm.
- This locks the glide arm (23), which is pushed all the way back.

Glide arm pulled all the way forward:

- Pull the glide arm (23) all the way forward.

When sawing mitre and/or bevel angles, you have to pull the left-hand or right-hand adjustable fence (7) outwards depending on the cutting direction, or remove it completely.

Bevel angle	Mitre angle	
0°–47° (left)	≤ 44° (right/left)	<ul style="list-style-type: none"> – Loosen the locking screw (46). – Pull the left-hand adjustable fence (7) all the way out.
0°–47° (left)	≥ 45° (right/left)	<ul style="list-style-type: none"> – Loosen the locking screw (46). – Pull the left-hand adjustable fence (7) all the way out. – Lift the adjustable fence upwards and out of the way. – Remove the locking screw (46).
0°–47° (right)	≤ 44° (right/left)	<ul style="list-style-type: none"> – Loosen the locking screw (46). – Pull the right-hand adjustable fence (7) all the way out.
0°–47° (right)	≥ 45° (right/left)	<ul style="list-style-type: none"> – Lift the adjustable fence upwards and out of the way.

Adjusting the damping of the glide arm (see figure F)

The glide mechanism of the glide arm (23) is preset at the factory and is not damped when the power tool is delivered.

The damping of the glide mechanism can be adjusted using the damper (47):

Hard – for more controlled work movements;

Soft – for fast saw cuts.

- For **softer** damping, loosen the two set screws (48) using the hex key (4 mm) (30)
- or
- tighten the two set screws (48) for **harder** damping.

Clamping the Workpiece (see figure G)

To ensure maximum safety while working, the workpiece must always be firmly clamped.

Do not saw workpieces that are too small to clamp firmly.

- Press the workpiece firmly against the fence (8).
- Insert the supplied screw clamp (19) into one of the holes (49) intended for this purpose.

- The glide mechanism is now completely extended.
- Pull the clamping lever (2) upwards until the clamping wedge is positioned between the two articulated parts at the bottom of the glide arm.
- This locks the glide arm (23), which is pulled all the way forward.

Preparing for operation**Extending the Saw Table (see figure C)**

The free end of long workpieces must have something placed underneath it or be supported.

The workpiece support on the saw table can be extended left and right using the extension bar (16).

- Push the clamping lever (18) inwards.
- Pull out the extension bar (16) to the required length (maximum 204 mm).
- To lock the extension bar in place, push the clamping lever (18) back out.

Moving the fence (see figures D–E)

- Firmly clamp the workpiece by turning the threaded rod (50).

Setting mitre and bevel angles

To ensure precise cuts, the basic settings of the power tool must be checked and adjusted as necessary after intensive use.

Experience and suitable special tools are required for this. A Bosch after-sales service point will handle this work quickly and reliably.

- ▶ **Always tighten the locking knob (11) firmly before sawing.** Otherwise the saw blade can become wedged in the workpiece.

Adjusting the horizontal mitre angle**Setting Standard Mitre Angles (see figure H)**

For quick and precise setting of commonly used mitre angles, detents (14) are provided on the saw table:

Leftward	Rightward
0°	

Leftward	Rightward
45°; 31.6°; 22.5°; 15°	15°; 22.5°; 31.6°; 45°; 60°

- Loosen the locking knob **(11)** if it is tightened.
- Pull the lever **(12)** and rotate the saw table **(33)** left or right to the required detent.
- Release the lever again. The lever must be felt to engage in the detent.
- Retighten the locking knob **(11)**.

Setting any mitre angle (see figure I)

The mitre angle can be set between 52° (left side) and 60° (right side).

- Loosen the locking knob **(11)** if it is tightened.
- Pull the lever **(12)** and at the same time push the mitre detent override **(10)** downward at the front. This locks the lever **(12)** and the saw table can move freely.
- Turn the saw table **(33)** left or right by the locking knob until the angle indicator **(51)** shows the required mitre angle.
- Retighten the locking knob **(11)**.
- To loosen the lever **(12)** again (for setting standard mitre angles), pull the lever upwards. The mitre detent override **(10)** springs back into its original position and the lever **(12)** can click back into the detents **(14)**.

Adjusting vertical mitre angles

The bevel angle can be set between 47° (left side) and 47° (right side).

For quick and precise setting of frequently used bevel angles, stops have been provided for the angles 0°, 22.5°, 45° and 47°.

Setting the left-hand bevel angle range (45° to 0°)

L

- Pull the left-hand adjustable fence **(7)** all the way out.
- Loosen the clamping handle **(13)**.
- Use the handle **(3)** to swivel the glide arm **(23)** to the left until the angle indicator **(28)** shows the required bevel angle.
- Hold the glide arm **(23)** in this position and retighten the clamping handle **(13)**.
The clamping force of the clamping handle must hold the glide arm securely in place at any bevel angle.

Setting the Right-hand Bevel Angle Range (0° to 45°) (see figure J)

45° R

- Pull the right-hand adjustable fence **(7)** all the way out.
- Loosen the clamping handle **(13)**.
- Use the handle **(3)** to tilt the glide arm **(23)** slightly to the left from the 0° position and turn the rotary knob **(32)** until the required bevel angle range is shown.

- Use the handle **(3)** to swivel the glide arm **(23)** to the right until the angle indicator **(21)** shows the required bevel angle.
- Hold the glide arm **(23)** in this position and retighten the clamping handle **(13)**.

The clamping force of the clamping handle must hold the glide arm securely in place at any bevel angle.

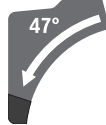
Setting the Standard 0° bevel angle

To enable the standard 0° bevel angle to be reset easily, the rotary knob **(32)** engages in the left-hand bevel angle range.

L

- Swivel the glide arm **(23)** from the right to the 0° position.

Setting the entire bevel angle range (-47° to +47°)



- Pull both adjustable fences **(7)** all the way out.
- Loosen the clamping handle **(13)**.
- Use the handle **(3)** to tilt the glide arm **(23)** slightly to the left from the 0° position and turn the rotary knob **(32)** until the required bevel angle range is shown.
- Use the handle **(3)** to swivel the glide arm **(23)** to the left or right until the angle indicator **(28)** or **(21)** shows the required bevel angle.
- Hold the glide arm **(23)** in this position and retighten the clamping handle **(13)**.
The clamping force of the clamping handle must hold the glide arm securely in place at any bevel angle.

Setting the Standard 22.5° Bevel Angle (see figure K)

Pull the adjustment knob **(29)** all the way out and turn it 90°. Then use the handle **(3)** to swivel the glide arm **(23)** until you hear the glide arm engage.

Start-up

- ▶ **Products that are only sold in AUS and NZ:** Use a residual current device (RCD) with a nominal residual current of 30 mA or less.

Switching on (see figure L)

- To **switch on** the power tool, **first** slide the lock-off button **(4)** to the middle and **then** press and hold the on/off switch **(52)**.

Note: For safety reasons, the on/off switch **(52)** cannot be locked; it must remain pressed during the entire operation.

Switching off

- To **switch off**, release the on/off switch **(52)**.

Starting current limitation

The electronic starting current limitation feature restricts the power of the power tool when it is switched on and enables operation using a 16 A fuse.

Note: If the power tool runs at full speed immediately after being switched on, this means that the starting current limitation has failed. The power tool must be sent to the after-

sales service without delay. For addresses, see: After-sales service and advice on using products.

Practical advice

General sawing instructions

- ▶ **Always tighten the locking knob (11) and the clamping handle (13) firmly before sawing.** Otherwise the saw blade can become wedged in the workpiece.
- ▶ **Always tighten the locking knob (11) and the clamping lever firmly before sawing.** Otherwise the saw blade can become wedged in the workpiece.
- ▶ **For all cuts, it must first be ensured that the saw blade at no time can come in contact with the fence, screw clamps or other machine parts. Remove any mounted auxiliary stops or adjust them accordingly.**

Protect the saw blade against impact and shock. Do not subject the saw blade to lateral pressure.

Only saw materials which are permitted within the scope of the intended use.

Do not saw warped/bent workpieces. The workpiece must always have a straight edge to face against the fence.

The free end of long and heavy workpieces must have something placed underneath it or be supported.

Make sure that the retracting blade guard operates properly and that it can move freely. The retracting blade guard must open when the tool arm is guided downwards. When the tool arm is guided upwards, the retracting blade guard must close again over the saw blade and lock in the uppermost position of the tool arm.

Position of the operator (see figure M)

- ▶ **Do not stand in line with the saw blade in front of the power tool. Always stand to the side of the saw blade.** This protects your body against possible kickback.
- Keep hands, fingers and arms away from the rotating saw blade.
- Do not reach one hand across the other when in front of the tool arm.

Replacing the Insert Plates (see figure P)

The red insert plates (9) can become worn after prolonged use of the power tool.

Replace defective insert plates.

- Bring the power tool into the work position.
- Loosen the screws (53) using the hex key (4 mm) (30) and remove the old insert plates.
- Insert the new right-hand insert plate.
- Screw the insert plate as far as possible to the right with the screws (53) so that the saw blade does not come into contact with the insert plate over the entire length of the possible slide motion.
- Repeat the work steps in the same manner for the left-hand insert plate.

Permissible workpiece dimensions

Maximum workpiece dimensions:

Mitre angle	Bevel angle	Height x width [mm]
0°	0°	80 x 306
45°	0°	80 x 216
0°	45° (left)	54 x 296
0°	45° (right)	30 x 296
45°	45° (left)	54 x 208
45°	45° (right)	30 x 208

Minimum workpiece dimensions (= all workpieces that can be secured left or right of the saw blade using the supplied screw clamps (19)): 145 x 306 mm (length x width)

Maximum cutting depth (0°/0°): 100 mm

Sawing

Sawing without slide movement (cutting off) (see figure N)

- Slide the glide arm (23) all the way back and secure it in this position. Make sure that the depth stop (25) is pressed all the way in and that the adjusting screw (24) fits through the recess without touching the depth stop when moving the glide arm.
- Firmly clamp the workpiece as appropriate for its dimensions.
- Set the required mitre and/or bevel angle as necessary.
- Switch on the power tool.
- Slowly guide the glide arm (23) downwards using the handle (3).
- Saw through the workpiece applying uniform feed.
- Switch off the power tool and wait until the saw blade has come to a complete stop.
- Slowly guide the glide arm (23) upwards.

Sawing with Slide Movement (see figure O)

- ▶ **Maintain a firm grip on the handle before switching the power tool on and during the entire sawing process. Ensure that the movement of the glide arm is controlled during sawing.** The glide arm is very easy to move and a moment of inattention could result in serious injury.
- Unlock the glide arm (23). Check if the complete glide mechanism is operative by sliding the glide arm (23) back and forth.
- Firmly clamp the workpiece as appropriate for its dimensions.
- Set the required mitre and/or bevel angle as necessary.
- Pull the glide arm (23) away from the fence (8) by the handle (3) until the saw blade is in front of the workpiece.
- Switch on the power tool.
- Slowly guide the glide arm (23) downwards using the handle (3).
- Now push the glide arm (23) towards the fence (8) and saw through the workpiece with uniform feed.

- Switch off the power tool and wait until the saw blade has come to a complete stop.
- Slowly guide the glide arm (23) upwards.

Adjusting the Depth Stop (Sawing the Groove) (see figure Q)

The depth stop needs to be adjusted if you wish to saw a groove or use a spacer.

- Swivel the depth stop (25) outwards.
- Use the handle (3) to swivel the glide arm (23) into the required position.
- Turn the adjusting screw (24) until the end of the screw touches the depth stop (25).
- Slowly guide the glide arm (23) upwards.

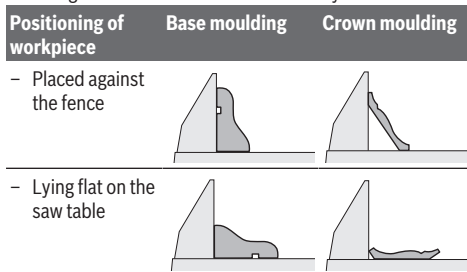
Special workpieces

When sawing curved or round workpieces, these must be especially secured against slipping. At the cutting line, there should be no gap between the workpiece, fence and saw table.

If necessary, you will need to manufacture special fixtures.

Working on mouldings

Mouldings can be sawn in two different ways:



Furthermore, you can cut with or without the slide movement depending on the width of the moulding.

Always check the set mitre and/or bevel angle first by making trial cuts in scrap wood.

Checking and Adjusting the Basic Settings

To ensure precise cuts, the basic settings of the power tool must be checked and adjusted as necessary after intensive use.

Experience and suitable special tools are required for this. A Bosch after-sales service point will handle this work quickly and reliably.

Setting the Standard 0° Bevel Angle

- Bring the power tool into the transport position.
- Turn the saw table (33) to the 0° detent (14). The lever (12) must be felt to engage in the detent.

Checking (see figure R1)

- Set an angle gauge to 90° and place it on the saw table (33).

The leg of the angle gauge must be flush with the saw blade (34) along its entire length.

Setting (see figure R2)

- Loosen the clamping handle (13).
- Loosen the two set screws (54) (by at least one turn) using a socket spanner (10 mm).
- Loosen the set screw (56) (by approx. three turns) using the hex key (4 mm) (30).
- Tighten or loosen the set screw (55) using the hex key (4 mm) (30) until the leg of the angle gauge is flush with the saw blade along its entire length.
- Retighten the clamping handle (13). Then tighten the set screw (56) followed by the set screws (54).

If the angle indicators (28) and (21) are not in line with the 0° marks on the scale (27) following adjustment, loosen the fastening screws on the angle indicators using a cross-headed screwdriver and align the angle indicators with the 0° marks.

Setting the Standard 45° Mitre Angle (left)

- Bring the power tool into the work position.
- Turn the saw table (33) to the 0° detent (14). The lever (12) must be felt to engage in the detent.
- Pull the left-hand adjustable fence (7) all the way out.
- Loosen the clamping handle (13) and swivel the glide arm to the left stop (45°) by the handle (3).

Checking (see figure S1)

- Set an angle gauge to 45° and place it on the saw table (33).


The leg of the angle gauge must be flush with the saw blade (34) along its entire length.

Setting (see figure S2)

- Tighten or loosen the set screw (57) using a ratchet spanner (8 mm) until the leg of the angle gauge is flush with the saw blade along its entire length.
- Retighten the clamping handle (13).

If the angle indicators (28) and (21) are not in line with the 45° marks on the scale (27) following adjustment, first check the 0° setting for the bevel angle and the angle indicators once more. Then repeat the adjustment of the 45° bevel angle.

Setting the Standard 45° Mitre Angle (right)

- Bring the power tool into the work position.
- Turn the saw table (33) to the 0° detent (14). The lever (12) must be felt to engage in the detent.
- Pull the right-hand adjustable fence (7) all the way out.
- Loosen the clamping handle (13).
- Use the handle (3) to tilt the glide arm slightly to the left from the 0° position and turn the rotary knob (32) until the right-hand bevel angle range is shown. 
- Swivel the glide arm to the right stop (45°) by the handle (3).

Checking (see figure T1)

- Set an angle gauge to 135° and place it on the saw table (33).

The leg of the angle gauge must be flush with the saw blade (34) along its entire length.

Setting (see figure T2)

- Tighten or loosen the set screw (58) using a ratchet spanner (8 mm) until the leg of the angle gauge is flush with the saw blade along its entire length.
- Retighten the clamping handle (13).

If the angle indicators (28) and (21) are not in line with the 45° marks on the scale (27) following adjustment, first check the 0° setting for the bevel angle and the angle indicators once more. Then repeat the adjustment of the 45° bevel angle.

Aligning the scale for mitre angles

- Bring the power tool into the work position.
- Turn the saw table (33) to the 0° detent (14). The lever (12) must be felt to engage in the detent.

Checking (see figure U1)

- Set an angle gauge to 90° and position it between the fence (8) and the saw blade (34) on the saw table (33).

The leg of the angle gauge must be flush with the saw blade (34) along its entire length.

Setting (see figure U2)

- Loosen all four set screws (59) using the hex key (4 mm) (30) and turn the saw table (33) together with the scale (31) until the leg of the angle gauge is flush with the saw blade along its entire length.
- Re-tighten the screws again.

If the angle indicator (51) is not aligned with the 0° mark on the scale (31) following adjustment, loosen the screw (60) using a cross-headed screwdriver and align the angle indicator along the 0° mark.

Adjusting the Clamping Force of the Clamping Handle (13) (see figure V)

The clamping force of the clamping handle (13) can be adjusted.

Checking

- The clamping force of the clamping handle must hold the glide arm securely in place at any bevel angle.

Setting

- Loosen the clamping handle (13).
- Use a socket spanner (17 mm) to turn the set screw (61) anticlockwise to reduce the clamping force or clockwise to increase the clamping force.
- Set a bevel angle, retighten the clamping handle (13) and check whether the required clamping force has been reached.

Transport (see figure W)

Before transporting the power tool, the following steps must be carried out:

- Slide the glide arm (23) all the way back and secure it in this position (see "Securing the glide arm", page 23).
- Make sure that the depth stop (25) is pressed all the way in and that the adjusting screw (24) fits through the recess without touching the depth stop when moving the glide arm.

cess without touching the depth stop when moving the glide arm.

- Guide the glide arm downwards until you can press the transport safety lock (26) all the way in
 - Push the extension bar (16) in fully.
 - Set the bevel angle to 0° and tighten the clamping handle (13).
 - Turn the saw table (33) as far as possible to the left and tighten the locking knob (11).
 - Wind up the mains cable and tie it together with the hook-and-loop strap (62).
 - Remove all accessories that cannot be securely fitted to the power tool.
 - If possible, transport unused saw blades in an enclosed container.
 - Carry the power tool by holding it by the recessed handles (17) on the sides of the saw table.
- **Use only the transport fixtures to transport the power tool. Never carry the power tool by the protective devices, the glide arm (23) or the handle (3).**

Maintenance and Service

Maintenance and cleaning

- **Pull the plug out of the socket before carrying out any work on the power tool.**
- **To ensure safe and efficient operation, always keep the power tool and the ventilation slots clean.**

In order to avoid safety hazards, if the power supply cord needs to be replaced, this must be done by **Bosch** or by an after-sales service centre that is authorised to repair **Bosch** power tools.

The retracting blade guard must always be able to move freely and retract automatically. It is therefore important to keep the area around the retracting blade guard clean at all times.

Always remove dust and chips after working by blowing out with compressed air or using a brush.

- Clean the guide roller (20) and the glide arm (23) regularly.

Accessories

	Article number
Screw clamp	1 609 B06 203
Insert plates	1 609 B04 263 1 609 B04 264
Dust bag	1 609 B02 595
Dust extraction adapter	2 607 001 977

Applies to the following models:

3 601 M27 04./... 0L./... 08./... 0B./... 0K.

Saw blades for wood and fibreboard, panels and strips

254 x 25.4 mm saw blade, 40 teeth	2 608 676 047
-----------------------------------	---------------

Article number

Saw blades for hardwood, composites, plastic and non-ferrous metals

254 x 25.4 mm saw blade, 40 teeth 2 608 640 969

254 x 25.4 mm saw blade, 40 teeth 2 608 640 970

254 x 25.4 mm saw blade, 40 teeth 2 608 640 971

Applies to the following models:

3 601 M27 00 /... 03 /... 07 /... 06.

Saw blades for wood and fibreboard, panels and strips

254 x 30 mm saw blade, 40 teeth 2 608 642 530

Saw blades for hardwood, composites, plastic and non-ferrous metals

254 x 30 mm saw blade, 80 teeth 2 608 642 528

After-Sales Service and Application Service

Our after-sales service responds to your questions concerning maintenance and repair of your product as well as spare parts. You can find explosion drawings and information on spare parts at: www.bosch-pt.com

The Bosch product use advice team will be happy to help you with any questions about our products and their accessories.

In all correspondence and spare parts orders, please always include the 10-digit article number given on the nameplate of the product.

Malaysia

Robert Bosch Sdn. Bhd. (220975-V) PT/SMY
No. 8A, Jalan 13/6
46200 Petaling Jaya
Selangor
Tel.: (03) 79663194
Toll-Free: 1800 880188
Fax: (03) 79583838
E-Mail: kiathoe.chong@my.bosch.com
www.bosch-pt.com.my

You can find further service addresses at:

www.bosch-pt.com/serviceaddresses

Disposal

The power tool, accessories and packaging should be recycled in an environmentally friendly manner.



Do not dispose of power tools along with household waste.

中文

安全规章

电动工具通用安全警告

警告！ 阅读所有警告和所有说明！不遵照以下警告和说明会导致电击、着火和 / 或严重伤害。

保存所有警告和说明书以备查阅。

在所有下列的警告中术语“电动工具”指市电驱动（有线）电动工具或电池驱动（无线）电动工具。

工作场地的安全

- ▶ 保持工作场地清洁和明亮。混乱和黑暗的场地会引发事故。
- ▶ 不要在易爆环境，如有易燃液体、气体或粉尘的环境下操作电动工具。电动工具产生的火花会点燃粉尘或气体。
- ▶ 让儿童和旁观者离开后操作电动工具。注意力不集中会使操作者失去对工具的控制。

电气安全

- ▶ 电动工具插头必须与插座相配。绝不能以任何方式改装插头。需接地的电动工具不能使用任何转换插头。未经改装的插头和相配的插座将减少电击危险。
- ▶ 避免人体接触接地表面，如管道、散热片和冰箱。如果你身体接地会增加电击危险。
- ▶ 不得将电动工具暴露在雨中或潮湿环境中。水进入电动工具将增加电击危险。
- ▶ 不得滥用电线。绝不能用电线搬运、拉动电动工具或拔出其插头。使电线远离热源、油、锐边或运动部件。受损或缠绕的软线会增加电击危险。
- ▶ 当在户外使用电动工具时，使用适合户外使用的外接软线。适合户外使用的软线将减少电击危险。
- ▶ 如果在潮湿环境下操作电动工具是不可避免的，应使用剩余电流动作保护器（RCD）。使用RCD可减小电击危险。

人身安全

- ▶ 保持警觉，当操作电动工具时关注所从事的操作并保持清醒。当你感到疲倦，或在有药物、酒精或治疗反应时，不要操作电动工具。在操作电动工具时瞬间的疏忽会导致严重人身伤害。
- ▶ 使用个人防护装置。始终佩戴护目镜。安全装置，诸如适当条件下使用防尘面具、防滑安全鞋、安全帽、听力防护等装置能减少人身伤害。
- ▶ 防止意外起动。确保开关在连接电源和/或电池盒、拿起或搬运工具时处于关闭位置。手指放在已接通电源的开关上或开关处于接通时插入插头可能会导致危险。
- ▶ 在电动工具接通之前，拿掉所有调节钥匙或扳手。遗留在电动工具旋转零件上的扳手或钥匙会导致人身伤害。

- ▶ **手不要伸展得太长。时刻注意立足点和身体平衡。** 这样在意外情况下能很好地控制电动工具。
- ▶ **着装适当。不要穿宽松衣服或佩戴饰品。让衣服、手套和头发远离运动部件。** 宽松衣服、配饰或长发可能会卷入运动部件中。
- ▶ **如果提供了与排屑、集尘设备连接用的装置，要确保他们连接完好且使用得当。** 使用这些装置可减少尘屑引起的危险。
- ▶ **即使由于经常使用电动工具而对此非常熟悉，也不要就认为可以高枕无忧而忽略工具的安全规定。** 粗心大意的行为可能在瞬间就造成严重的伤害。

电动工具使用和注意事项

- ▶ **不要滥用电动工具，根据用途使用适当的电动工具。** 选用适当设计的电动工具会使你工作更有效、更安全。
- ▶ **如果开关不能接通或关断工具电源，则不能使用该电动工具。** 如果开关不能接通或关断工具电源，则不能使用该电动工具。
- ▶ **在进行任何调节、更换附件或贮存电动工具之前，必须从电源上拔掉插头和/或使电池盒与工具脱离。** 这种防护性措施将减少工具意外起动的危险。
- ▶ **将闲置不用的电动工具贮存在儿童所及范围之外，并且不要让不熟悉电动工具或对这些说明不了解的人操作电动工具。** 电动工具在未经培训的用户手中是危险的。
- ▶ **保养电动工具。检查运动件是否调整到位或卡住，检查零件破损情况和影响电动工具运行的其他状况。** 如有损坏，电动工具应在使用前修理好。许多事故由维护不良的电动工具引发。
- ▶ **保持切削刀具锋利和清洁。** 保养良好的有锋利切削刃的刀具不易卡住而且容易控制。
- ▶ **按照使用说明书，考虑作业条件和进行的作业来使用电动工具、附件和工具的刀头等。** 将电动工具用于那些与其用途不符的操作可能会导致危险。
- ▶ **保持手柄和握持表面干燥、清洁、无油污。** 在突发情况下，滑溜的手柄和握持表面无法确保安全地握持和控制工具。

维修

- ▶ **将你的电动工具送交专业维修人员，使用同样的备件进行修理。** 这样将确保所维修的电动工具的安全性。

斜切锯安全警告

- ▶ **斜切锯用于切割木材及类似木材的产品，不得与切割砂轮一起使用而用于切割铁质材料（比如棒、杆、螺栓等）。** 磨屑会导致运动件（比如下部防护罩）卡住。砂轮切割产生的火花会烧坏下部防护罩、切口嵌件和其它塑料零部件。
- ▶ **尽可能使用夹箍来支撑加工件。** 如果用手支撑加工件，必须始终确保手与锯片的每一侧至少相距 100 mm。如果加工件太小而不能稳固夹紧或用手握住，则不要使用此锯切割。如果您的手离锯

片过近，因接触锯片而导致受伤的风险就会增大。

- ▶ **加工件必须保持固定和夹紧，或紧靠栅栏和桌面。不要将加工件送入锯片或以任何方式徒手切割。** 未固定或可移动的加工件可能会高速抛出，从而导致受伤。
- ▶ **采用推入方式切割加工件。不要采用拉动方式。进行切割时，抬起锯头并将其拉出至加工件上方而不要进行切割，起动机，将锯头向下压，并将锯推入加工件。** 如果在拉动行程切割，很可能导致锯片攀爬到加工件顶部，并将锯片总成猛烈抛向操作员。
- ▶ **切勿将手交叉放在锯片前面或后面的目标切割线上。** 交叉用手支撑加工件（即用左手将加工件固定在锯片右侧，或用右手将加工件固定在锯片左侧）非常危险。
- ▶ **当锯片旋转时，不要为了去除木头碎片或出于任何其它原因，而将手伸到栅栏后面距离锯片每侧小于 100 mm 的位置。** 旋转锯片与手部的距离可能不太明显，从而会导致严重受伤。
- ▶ **切割之前，先检查您的加工件。** 如果加工件弯曲或扭曲，则将其夹紧，使外弓面朝向栅栏。始终确保加工件、栅栏与桌面之间沿切割线处没有空隙。弯曲或扭曲的加工件会扭曲或移动，可能导致切割时旋转锯片上出现粘结。加工件中不得有钉子或异物。
- ▶ **将桌面上除加工件之外的所有工具、木头碎片等清理干净之后，才可以使用锯。** 小碎片或散乱的碎木屑或其它接触旋转锯片的物体会被高速抛出。
- ▶ **每次只能切割一个加工件。** 多个加工件堆叠在一起便无法充分夹紧或绷紧，可能导致切割时锯片上出现粘结或加工件移动。
- ▶ **使用之前，应确保将斜切锯安装或放置在水平、牢固的工作表面上。** 水平且牢固的工作表面可降低斜切锯不稳定的风险。
- ▶ **计划您的工作。每次更换斜面或斜角设置时，应确保正确设置可调栅栏以支撑加工件，并确保其不会干扰锯片或防护系统。** 在工具关闭并且桌面上不放置加工件的情况下，模拟锯片穿过整个切口的过程，以确保没有干扰或切到栅栏的风险。
- ▶ **加工比桌面更宽或更长的加工件时，应提供充分支撑，比如工作台延伸、锯木架等。** 如果支撑不牢固，比斜切锯桌面更长或更宽的加工件会倾斜。如果切割件或加工件倾斜，它会抬起下部防护罩或被旋转锯片抛出。
- ▶ **不要让另一个人代替工作台延伸或作为附加支撑。** 如果加工件支撑不稳定，会导致锯片出现粘结或者加工件在切割操作期间移动，从而将您及助手拉至旋转的锯片。
- ▶ **切割件不得卡住或压住旋转的锯片。** 如果进行限制（使用长度限制止挡），切割件会楔入锯片并猛烈抛出。
- ▶ **当对圆形材料（比如杆或管材）进行切割时，务必使用可正确支撑的夹箍或夹具。** 杆在切割时很可能会滚动，导致锯片“切入”并将您手中的工件拉向锯片。

- ▶ 接触加工件之前，使锯片达到全速。这会降低加工件抛出的风险。
- ▶ 如果加工件或锯片卡住，则关闭斜切锯。待所有移动件都停止后，拔下电源插头并/或拆下电池组。然后使卡住的材料可以自由移动。继续切割卡住的加工件会导致斜切锯失控或损坏。
- ▶ 切割完成后，释放开关，保持锯头向下，待锯片停止后去除切割件。用手接近滑转锯片非常危险。
- ▶ 进行不完全切断时，或者在锯头完全处于向下位置之前释放开关时，应紧紧握住手柄。锯的制动操作会导致锯头突然向下拉动，存在受伤风险。
- ▶ 工作场地应保持清洁。材料混合特别危险。轻金属粉尘可能会起火燃烧或爆炸。
- ▶ 不可以使用已经变钝、有裂痕、弯曲或损坏的锯片。锯片如果已经变钝了，或者锯齿变形了，会因为锯缝过小而提高锯割时的摩擦，锯片容易被夹住并造成反弹。
- ▶ 不可以使用高合金快速钢（HSS）制造的锯片。此类锯片容易折断。
- ▶ 始终使用轴孔尺寸和形状（菱形/圆形）正确的锯片。与台锯的安装硬件不匹配的锯片会偏离中心，造成失控。
- ▶ 如果电动工具仍在运转，不可以试着清除锯割范围内的锯屑、木屑等等。始终先收回机臂然后再关闭电动工具。
- ▶ 工作后如果锯片尚未冷却，切勿触摸锯片。工作后锯片会变得非常灼热。

图标

以下符号可以帮助您正确地使用本电动工具。请牢记各符号和它们的代表意思。正确了解各符号的代表意思，可以帮助您更有把握更安全地操作本电动工具。

图标及其含义



当电动工具运转时，切勿把手放在锯切区域内。碰到锯片会有受伤危险。



请佩戴防尘口罩。



请佩戴护目镜。



请佩戴听力防护装置。工作噪音会损坏听力。

图标及其含义



危险区域！手掌、手指或手臂必须尽可能远离该区域。



手指不要伸入滑动臂的运动部件之间。手指可能被挤压并造成严重伤害。

3 601 M27 04. 注意锯片的尺寸。孔径必须无间隙地与工具主轴贴合。如果必须使用缩径套，应注意根据锯片厚度、锯片孔径以及工具主轴直径来匹配缩径套的尺寸。尽可能使用与锯片配套的缩径套。
3 601 M27 0L. 锯片直径必须与图标上的说明一致。
3 601 M27 08.
3 601 M27 0B.
3 601 M27 0K.

Ø 254mm Ø 25.4mm

3 601 M27 00.
3 601 M27 03.
3 601 M27 06.
3 601 M27 07.

Ø 254mm Ø 30mm



搬运电动工具时只能握在标记的位置上（握柄槽）。



切勿使用滑动臂的握柄提携电动工具。



对于垂直斜切角度，必须移动或完全去除左右侧挡轨延长件。



夹紧手柄已打开：可以调整垂直斜切角度。



夹紧手柄已关闭：保持调整好的滑动臂垂直斜切角度。



显示调整垂直斜切角度的各个步骤。

1. 松开夹紧手柄
2. 略微向左摆动滑动臂
3. 通过旋钮调整所需的垂直斜切角度范围

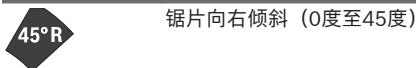


通过旋钮调整垂直斜切角度范围：

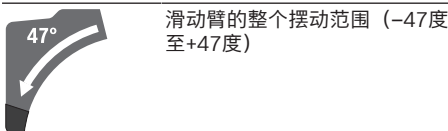


锯片向左倾斜（45度至0度）

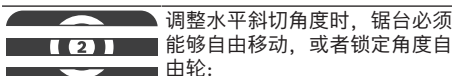
图标及其含义



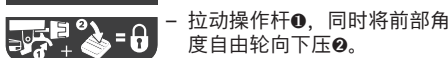
锯片向右倾斜 (0度至45度)



滑动臂的整个摆动范围 (-47度至+47度)



调整水平斜切角度时, 锯台必须能够自由移动, 或者锁定角度自由轮:



- 拉动操作杆①, 同时将前部角度自由轮向下压②。

产品和性能说明



请阅读所有安全规章和指示。不遵照以下警告和说明可能导致电击、着火和/或严重伤害。

请注意本使用说明书开头部分的图示。

按照规定使用

本电动工具适合以站立的方式, 在木材上进行纵向和横向的直线锯切。水平斜切角度的范围在-52度至+60度之间, 垂直斜切角度的范围在47度 (左侧) 至47度 (右侧) 之间。

本电动工具的功率适合锯切硬木和软木, 以及木屑夹板和纤维板。

安装了合适的锯片后, 也可以锯切铝制型材和塑料。

插图上的机件

机件的编号和电动工具详解图上的编号一致。

- | | |
|--|--|
| <ul style="list-style-type: none"> (1) 集尘袋 (2) 滑动机构的固定杆 (3) 手柄 (4) 电源开关的开机锁 (5) 防护罩 (6) 摆动防护罩 (7) 活动式挡轨 (8) 挡轨 (9) 垫板 (10) 角度自由轮 (11) 任意斜切角度的固定旋钮 (水平) (12) 斜切角度预置杆 (水平) (13) 任意斜切角度的夹紧柄 (垂直) (14) 标准斜切角度的标记槽 (水平) (15) 安装孔 (16) 延伸架 (17) 握柄槽 (18) 延伸架的夹紧杆 | <ul style="list-style-type: none"> (19) 螺旋夹钳 (20) 滑轮 (21) 右侧斜切角度范围 (0度至47度) 角度指示器 (垂直) (22) 导屑器 (23) 滑动臂 (24) 限深器的调整螺栓 (25) 限深器 (26) 运输固定装置 (27) 斜切角度刻度尺 (垂直) (28) 左侧斜切角度范围 (47度至0度) 角度指示器 (垂直) (29) 22.5度斜切角度的调整钮 (垂直) (30) 内六角扳手 (6毫米/4毫米) (31) 斜切角度刻度尺 (水平) (32) 调整斜切角度范围 (垂直) 的旋钮 (33) 锯台 (34) 锯片 (35) 吸尘适配接头 (36) 出屑口 (37) 摆动防护罩的支撑杆锁定螺栓 (38) 摆动防护罩的支撑杆 (39) 前部固定螺栓 (盖板/摆动防护罩) (40) 后部固定螺栓 (盖板/摆动防护罩) (41) 遮板 (42) 主轴锁 (43) 固定锯片的内六角螺栓 (44) 夹紧法兰 (45) 内夹紧法兰 (46) 活动式挡轨的锁定螺栓 (47) 减震器 (48) 减震器调节螺栓 (49) 螺旋夹钳安装孔 (50) 螺杆 (51) 斜切角度的角度指示器 (水平) (52) 电源开关 (53) 垫板的固定螺栓 (54)/ (55)/ (56) 基本设定0度 (垂直斜切角度) 的调整螺栓 (57) 基本设定45度 (左侧垂直斜切角度) 的调整螺栓 (58) 基本设定45度 (右侧垂直斜切角度) 的调整螺栓 (59) 斜切角度刻度尺调整螺栓 (水平) (60) 角度指示器螺栓 (水平) |
|--|--|

(61) 任意斜切角度（垂直）夹紧手柄夹紧力调整
螺栓

(62) 魔术贴固定带

技术参数

斜断锯		GCM 10 GDJ	GCM 10 GDJ
物品代码		3 601 M27 04. 3 601 M27 0L. 3 601 M27 08. 3 601 M27 0B. 3 601 M27 0K.	3 601 M27 00. 3 601 M27 03. 3 601 M27 06. 3 601 M27 07.
额定输入功率	瓦	2000	2000
空载转速	转/分钟	5000	5000
起动电流限制		●	●
重量符合EPTA-Procedure 01:2014	千克	31.6	31.6
保护等级		□/	□/
合适锯片的尺寸			
锯片直径	毫米	254	254
锯片主体的厚度	毫米	1.7-2.6	1.7-2.6
最大切割宽度	毫米	3.2	3.2
固定孔直径	毫米	25.4	30

所有参数适用于230伏的额定电压[U]，对于其他不同的电压和国际规格，数据有可能不同。

许可的工件尺寸（最大/最小）：（参见“许可的工件尺寸”，页 37）

安装

▶ **避免意外启动电动工具。安装锯片时或在电动工具上所有工作时，电源插头都不允许连接电源。**

供货范围



为此请注意操作说明书开头显示的供货范围。

电动工具初次投入运行前请检查下列零件是否均配套提供：

- 已经安装好锯片(34)的斜断锯
- 固定旋钮(11)
- 夹紧手柄(13)及固定套件
- 延伸架(16)和夹紧杆(18)及固定套件
- 集尘袋(1)
- 内六角扳手(30)
- 螺旋夹钳(19)

提示：检查电动工具是否有损坏之处。

使用电动工具之前，必须详细检查防护装置或轻微损坏的零件是否仍然运作正常。检查活动性零件是否功能正常不会被夹住，以及该零件有否受损。所有的零件都必须安装正确，并且符合规定以确保机器的正常功能。

损坏的防护装置和零件必须按照规定交给合格的专业修理厂修理或更换。

除了供货范围中的部件之外，还需使用以下工具：

- 十字螺丝刀
- 棘轮扳手（尺寸：8毫米）
- 环形扳手、开口扳手或套筒扳手（尺寸：10毫米和17毫米）

安装各部件

- 小心地从包装中取出所有的供货物品。
- 拆除电动工具和附带附件上的所有包装材料。

安装固定旋钮（参见插图a）

- 将固定旋钮(11)旋入杆(12)上方相应的孔中。
- ▶ **锯切前务必拧紧固定旋钮(11)。**否则锯片可能在工件中倾斜。

安装任意斜切角度的夹紧手柄（垂直）（见图a）

安装夹紧手柄(13)时，请使用随附的固定套件（套筒扳手、螺母、2个垫片）。

- 将各个零件按所示顺序（大垫片、夹紧手柄、小垫片、螺母）插入电动工具上的螺栓内。
- 为了更好地施力，在拧紧螺母时请将随附的内六角扳手(30)插入套筒扳手的孔中。
- 拧紧螺母。

安装延伸架（参见插图b）

安装延伸架(16)时，请使用随附的固定套件（2个夹紧杆(18)、2个弹簧螺栓、2个滚花螺栓）。

- 将延伸架(16)推入锯台(33)上匹配的孔中，直至极限位置。
- 用手将滚花螺栓整个拧入匹配的孔中。
- 将夹紧杆(18)置于滚花螺栓头部。

- 用弹簧螺栓固定夹紧杆(18)。
- 通过用随附的内六角扳手(30)拧紧弹簧螺栓来提高夹紧杆(18)的夹紧力。

固定或活动的安装方式

- ▶ 为了能够稳定地操作机器，正式使用之前，必须将电动工具固定在平坦、稳固的工作平面上（例如工作台）。

安装在工作面上（参见插图c1）

- 使用合适的螺栓连接将电动工具固定在工作面上。为此需要钻孔(15)。

或

- 使用市售螺旋旋夹钳将电动工具的支撑脚夹紧在工作面上。

安装在博世工作台上

（参见插图c2）

（GTA 2500 W, GTA 3700, GTA 3800）

博世的GTA工作台有可调整高度的桌脚，使电动工具能够站立在任何底面上。工作台的工件托架用于支撑住比较长的工作。

- ▶ 阅读工作台附带的所有警告提示和说明。如果不遵守警告提示和说明，可能会导致触电、火灾和/或严重受伤的后果。
- ▶ 安装电动工具之前必须先正确地组装工作台。正确组装工作台非常重要，这样可以避免工作台倒塌。
- 将电动工具以运输位置安装在工作台上。

吸锯尘/吸锯屑

含铅的颜料以及某些木材、矿物和金属的加工废尘有害健康。机器操作者或者工地附近的人如果接触、吸入这些废尘，可能会有过敏反应或者感染呼吸道疾病。

某些尘埃（例如加工橡木或山毛榉的废尘）可能致癌，特别是和处理木材的添加剂（例如木材的防腐剂等）结合之后。只有经过专业训练的人才能够加工含石棉的物料。

- 尽可能使用适合物料的吸尘装置。
- 工作场所要保持空气流通。
- 最好佩戴P2滤网等级的口罩。

请留心并遵守贵国和加工物料有关的法规。

- ▶ 避免让工作场所堆积过多的尘垢。尘垢容易被点燃。

尘/屑收集装置可能因为废尘、废屑或工件的残屑而造成堵塞。

- 关闭电动工具，并且从插座中拔出插头。
- 静候让锯片完全停止转动。
- 找出造成阻塞的原因，并且排除障碍。

自集尘（参见插图d）

请使用随附的集尘袋(1)来轻松收集碎屑。

- 将集尘袋(1)套到吸尘适配接头(35)上并转动，直至吸尘适配接头的销钉卡入集尘袋的凹槽中。锯割时，集尘袋千万不可以接触转动中的零件。及时倒空集尘袋中的废尘。

- ▶ 每次操作完毕后，都要检查并且清洁集尘袋。
- ▶ 为了避免造成火灾，锯割铝片时要拆除集尘袋。

外部集尘

集尘时，可以将集尘器软管（直径毫米）连接到吸尘适配接头(35)上。

- 将集尘器软管与吸尘适配接头(35)连接到一起。

根据工件的物料选择合适的集尘装置。

抽吸可能危害健康、可能导致癌症或干燥的废尘时，务必使用特殊的集尘装置。

清洁吸尘适配接头

为确保最佳的集尘效果，必须定期清洁吸尘适配接头(35)。

- 将吸尘适配接头(35)旋转着从锯屑排口(36)中拉下。
- 清除工件的碎块和锯屑。
- 重新将吸尘适配接头旋转着压入锯屑排口，直到其越过锯屑排口的支撑环并卡牢。

更换锯片（参见插图e1-e4）

- ▶ 在电动工具上进行所有操作之前都必须从插座上拔出电源插头。
- ▶ 安装锯片时务必穿戴防护手套。手如果接触锯片可能被割伤。

所使用的锯片的最高许可转速必须高于电动工具的无负载转速。

根据本说明书中提出的技术数据选择合适的锯片。必须选用通过EN 847-1认证而且标示了此认证的锯片。

只能使用由本电动工具制造商所推荐的锯片，以及适合加工物料的锯片。这可防止锯切时锯齿过热。

拆卸锯片

- 将电动工具调整在工作位置上。
- 用内六角扳手（6毫米）(30)松开锁定螺栓(37)，直至支撑杆(38)自由下垂。
- 用内六角扳手（4毫米）(30)松开固定螺栓(39)（约2圈）。不要完全拧出螺栓。
- 用内六角扳手（4毫米）(30)松开固定螺栓(40)（约6圈）。不要完全拧出螺栓。
- 向前抽拉遮板(41)，接着向下压，使其脱离固定螺栓(40)。
- 将摆动防护罩(6)向后翻，并将其保持在该位置。
- 通过固定螺栓(40)上方的孔挂住支撑杆(38)。这样便可以让摆动防护罩保持在打开位置。
- 用内六角扳手（6毫米）(30)转动内六角螺栓(43)，同时按下主轴锁(42)，直到卡紧。
- 按住主轴锁(42)并顺时针拧出内六角螺栓(43)（左螺纹！）。
- 取下夹紧法兰(44)。
- 取下锯片(34)。

安装锯片

► **安装时请注意**，锯齿的锯切方向（锯片上的箭头方向）必须和防护罩上的箭头方向一致！

必要的话，在安装之前清洁所有的零部件。

- 将新锯片放到内夹紧法兰(45)上。
- 装上夹紧法兰(44)和内六角螺栓(43)。按压主轴锁(42)，直至卡止，然后逆时针拧紧内六角螺栓。
- 将支撑杆(38)从固定螺栓(40)上松开，然后将摆动防护罩(6)重新向下移动。
- 将遮板(41)重新推到固定螺栓(40)下面。
- 重新拧紧固定螺栓(40)和(39)。
- 将支撑杆(38)推到初始位置，然后重新用内六角扳手（6毫米）(30)拧上锁定螺栓(37)。

运行

► **在电动工具上进行所有操作之前都必须从插座上拔出电源插头。**

运输固定装置（参见插图A）

运输固定装置(26)方便您将电动工具运输到不同的安装位置。

松开电动工具的锁定（工作位置）

- 通过手柄(3)略微向下按压滑动臂(23)，以松开运输固定装置(26)。
- 向外完全拉出运输固定装置(26)。
- 慢慢地向上提起滑动臂(23)。

锁定电动工具（运输位置）

- 将滑动臂(23)向后推到底并将其固定在该位置。
- 尽可能地向下移动滑动臂，直至运输固定装置(26)可以向内压到底。

其他提示：运输

锁定滑动臂

滑动臂(23)的滑动机构可以通过夹紧杆(2)来锁定。

滑动臂可以固定在两个位置：

锯切水平和/或垂直斜切角度时，必须根据切割方向向外拉动或完全取下左右侧的活动式挡轨(7)。

垂直斜切角度	水平斜切角度	
0度-47度 (左侧)	≤ 44度 (左侧/右侧)	- 松开锁定螺栓(46)。 - 向外完全拉出左侧活动式挡轨(7)。
0度-47度 (左侧)	≥ 45度 (左侧/右侧)	- 松开锁定螺栓(46)。 - 向外完全拉出左侧活动式挡轨(7)。 - 向上提起活动式挡轨。 - 取下锁定螺栓(46)。
0度-47度 (右侧)	≤ 44度 (左侧/右侧)	- 松开锁定螺栓(46)。 - 向外完全拉出右侧活动式挡轨(7)。
0度-47度 (右侧)	≥ 45度 (左侧/右侧)	- 向上提起活动式挡轨。

调整滑动臂的减震功能（参见插图F）

滑动臂(23)的滑动机构在出厂前就已预设好，交付电动工具时未减震。

- 滑动臂向后推到末端（为了锯断）
- 滑动臂向前拉到底（为了紧凑的运输位置）

解开滑动臂的锁定（参见插图B1）

解开滑动臂(23)的锁定后，整个滑动机构都可以使用。

- 将夹紧杆(2)向下推压到底。
- 此时夹紧楔便会放开滑动臂上的两个下部铰接件。

锁定滑动臂（参见插图B2）

滑动臂向后推到底：

- 将滑动臂(23)向后推到底。
- 此时滑动臂的两个上部铰接件会竖立起来并且会被关闭。
- 向上拉起夹紧杆(2)，至夹紧楔正确地定位在滑动臂的两个下部铰接件之间。
- 此时便能够锁定被向后推到底的滑动臂(23)。

滑动臂向前拉到底：

- 将滑动臂(23)向前拉到底。
- 此时滑动机构会完全被抽出。
- 向上拉起夹紧杆(2)，至夹紧楔正确地定位在滑动臂的两个下部铰接件之间。
- 此时便能够锁定被向前推到底的滑动臂(23)。

准备工作

加长锯台（参见插图C）

长工件的末端不可以悬空，必须做好支撑工作。可以借助延伸架(16)向左和向右加大锯台的工件座。

- 将夹紧杆(18)向内翻。
- 向外拉动延伸架(16)，直至达到所需的长度（最大204毫米）。
- 固定延伸架时，请再次向外按压夹紧杆(18)。

移动挡轨（参见插图D-E）

您可以使用减震器(47)来调整滑动臂的减震功能：

硬 - 稳定地操作动作；

软 - 快速地锯切。

- 用内六角扳手 (4毫米) (30) 松开两个调整螺栓 (48), 可获得更软的减震效果
- 或
- 将两个调整螺栓 (48) 再拧紧一些, 可以获得更硬的减震效果。

固定工件 (参见插图G)

为了确保最佳工作安全性, 务必固定好工件。

不要加工太小而无法固定的工件。

- 对着挡轨 (8) 按紧工件。
- 将随附的螺旋夹钳 (19) 插到规定的孔 (49) 中。
- 通过转动螺杆 (50) 来夹紧工件。

设定水平和垂直斜切角度

为了确保精确的锯切, 在频繁使用之后必须检查电动工具的基本设定, 必要时进行适度调整。

检查时不仅要有足够的经验, 而且还要使用特殊工具。

博世的客户服务中心能够快速可靠地执行这项工作。

- ▶ **锯切前务必拧紧固定旋钮 (11)**。否则锯片可能在工件中倾斜。

调整水平斜切角度

调整水平标准斜切角度 (参见插图H)

锯台上设有标记槽 (14), 以便快速精确地调整经常使用的水平斜切角度:

左	右
0°	
45°; 31.6°; 22.5°; 15°	15°; 22.5°; 31.6°; 45°; 60°

- 如果固定旋钮 (11) 被拧紧了, 请先松开。
- 拉动杆 (12), 向左或向右转动锯台 (33), 直至达到所需的标记槽。
- 重新松开杆。杆必须正确地陷入标记槽中。
- 再次拧紧固定旋钮 (11)。

设定任意水平斜切角度 (参见插图I)

水平斜切角度的调整范围在52度 (左侧) 和60度 (右侧) 之间。

- 如果固定旋钮 (11) 被拧紧了, 请先松开。
- 拉动操作杆 (12), 同时将前部角度自由轮 (10) 向下压。由此锁定操作杆 (12), 锯台就能自由移动。
- 通过固定旋钮向左或向右转动锯台 (33), 直至角度指示器 (51) 指在需要的水平斜切角度上。
- 再次拧紧固定旋钮 (11)。
- 要重新松开杆 (12) (为了调整水平标准斜角尺), 将杆向上拉。角度自由轮 (10) 跳回初始位置, 杆 (12) 可以重新卡入标记槽 (14)。

设定垂直斜切角度

垂直斜切角度的调整范围在47° (左侧) 和47° (右侧) 之间。

为了能够快速且精准地设定经常使用的垂直斜切角度, 在0°、22.5°、45°和47°上有限制器。

调整左侧垂直斜切角度范围 (45°至0°)

L

- 向外完全拉出左侧活动式挡轨 (7)。
- 松开夹紧手柄 (13)。
- 握着手柄 (3) 将滑动臂 (23) 向左摆动, 直至角度指示器 (28) 指在需要的垂直斜切角度上。
- 让滑动臂 (23) 保持在这个位置, 并重新拧紧夹紧手柄 (13)。
不管是设定在哪一个垂直的斜切角度上, 固定提杆的夹紧力必须能够紧紧地固定好滑动臂。

调整右侧垂直斜切角度范围 (0度至45度) (参见插图J)

45°R

- 向外完全拉出右侧活动式挡轨 (7)。
- 松开夹紧手柄 (13)。
- 握着手柄 (3) 使滑动臂 (23) 离开0度位置略微向左倾斜, 转动旋钮 (32), 直至显示所需的垂直斜切角度范围。
- 握着手柄 (3) 将滑动臂 (23) 向右摆动, 直至角度指示器 (21) 指在需要的斜切角度上。
- 让滑动臂 (23) 保持在这个位置, 并重新拧紧夹紧手柄 (13)。
不管是设定在哪一个垂直的斜切角度上, 固定提杆的夹紧力必须能够紧紧地固定好滑动臂。

将垂直标准斜切角度调到0°

为了能够再次将垂直标准斜切角度轻松调整到0°, 请将旋钮 (32) 卡入左侧垂直斜切角度范围。

L

- 将滑动臂 (23) 向右摆动, 越过0°位置。

调整整个垂直斜切角度范围 (-47°至+47°)

47°

- 向外完全拉出两个活动式挡轨 (7)。
- 松开夹紧手柄 (13)。
- 握着手柄 (3) 使滑动臂 (23) 离开0度位置略微向左倾斜, 转动旋钮 (32), 直至显示所需的垂直斜切角度范围。
- 握着手柄 (3) 将滑动臂 (23) 向左或向右摆动, 直至角度指示器 (28) 或 (21) 指在需要的垂直斜切角度上。
- 让滑动臂 (23) 保持在这个位置, 并重新拧紧夹紧手柄 (13)。
不管是设定在哪一个垂直的斜切角度上, 固定提杆的夹紧力必须能够紧紧地固定好滑动臂。

将垂直标准斜切角度调到22.5° (参见插图K)

将调整按钮 (29) 向外完全拉出并旋转90°。然后, 握着手柄 (3) 摆动滑动臂 (23), 直至听到滑动臂的卡止声。

投入使用

接通 (参见插图L)

- 接通电动工具时, 首先将开机锁(4)推到中间, 然后按压电源开关(52)并按住。

提示: 基于安全的顾虑, 电源开关(52)无法被锁定。所以操作机器时必须持续地按住开关。

关机

- 关闭时, 请松开电源开关(52)。

启动电流限制

电子启动电流限制功能可能限制电动工具开机时的功率, 让电动工具在16安培保险丝的保护下工作。

提示: 开机后, 电动工具马上以最大转速开始运转, 这代表启动电流限制装置失灵了。必须立即将电动工具寄给客户服务部门。地址: 客户服务和应用咨询。

工作提示

一般性的锯切提示

- ▶ **锯切之前务必拧紧固定旋钮(11)和夹紧手柄(13)。** 否则锯片可能在工件中倾斜。
- ▶ **锯切之前务必拧紧固定旋钮(11)和夹紧杆。** 否则锯片可能在工件中倾斜。
- ▶ **进行任何锯切之前, 必须先确定锯片不会接触挡轨、螺旋夹钳或其它的机件。必要时得拆除辅助挡块, 或者适度调整辅助挡块。**

保护锯片免受冲撞和敲击。不可以侧压锯片。仅锯切已批准使用的材料。

不可以加工变形的工件。工件必须有一道笔直的边, 这样才能够紧靠在挡轨上。

如果工件又长又重, 必须在它悬空的末端放上衬垫或做好支撑。

检查摆动防护罩的功能是否正常, 能否自由移动。向下移动机臂时, 必须打开摆动防护罩。向上移动机臂时, 必须关闭锯片上方的摆动防护罩并卡在机臂最上方的位置。

操作者的位置 (参见插图M)

- ▶ **不要和电动工具前的锯片站在一条线上, 而是要站在锯片的侧面。** 这样可以避免工具回跳而伤到身体。
- 手掌、手指和手臂必须远离转动中的锯片。
- 不要在机臂前交叉双手。

更换垫板 (参见插图P)

长期使用电动工具之后, 红色的垫板(9)会磨损。更换损坏的垫板。

- 将电动工具调整在工作位置上。
- 用内六角扳手(4毫米) (30)拧出螺栓(53), 然后取下旧垫板。
- 放上新的右侧垫板。
- 用螺栓(53)尽可能地向右拧紧垫板, 使锯片在整个可能的拉动长度上不与垫板接触。
- 采取相同的步骤安装新的左侧垫板。

许可的工件尺寸

最大工件:

水平斜切角度	垂直斜切角度	高 x 宽 [毫米]
0度	0度	80 x 306
45度	0度	80 x 216
0度	45度 (左侧)	54 x 296
0度	45度 (右侧)	30 x 296
45度	45度 (左侧)	54 x 208
45度	45度 (右侧)	30 x 208

最小工件 (= 所有可以通过随附的螺旋夹钳(19)夹紧在锯片左侧或右侧的工件): 145 x 306毫米 (长 x 宽)

最大切削深度 (0度/0度): 100毫米

锯切

无拉动的锯切 (砍锯) (参见插图N)

- 将滑动臂(23)向后推到底并将其固定在该位置。确保限深器(25)已向内压到底并通过开口调节调整螺栓(24), 使滑动臂在移动时不会碰到限深器。
- 根据尺寸正确地夹紧工件。
- 必要时, 请设定好需要的斜切角度 (水平和/或垂直)。
- 接通电动工具的电源。
- 通过手柄(3)缓慢向下移动滑动臂(23)。
- 施力均匀地锯切工件。
- 关闭电动工具并等待, 直至锯片完全停止转动。
- 慢慢地向上提起滑动臂(23)。

带拉动的锯切 (参见插图O)

- ▶ **开机之前以及在整个锯制过程都得牢牢地握紧手柄。锯制时要控制好滑动臂。** 只要一时分神, 便可能接触暴露在外的滑动臂进而造成伤害。
- 解开滑动臂(23)的锁定。通过来回推拉滑动臂(23)来检查整个滑动机构是否可用。
- 根据尺寸正确地夹紧工件。
- 必要时, 请设定好需要的斜切角度 (水平和/或垂直)。
- 通过手柄(3)将滑动臂(23)拉离挡轨(8), 直至锯片位于工件的前方。
- 接通电动工具的电源。
- 通过手柄(3)缓慢向下移动滑动臂(23)。
- 现在把滑动臂(23)推向挡轨(8)方向, 然后施力均匀地锯切工件。
- 关闭电动工具并等待, 直至锯片完全停止转动。
- 慢慢地向上提起滑动臂(23)。

调整限深器 (切槽) (参见插图Q)

锯切凹槽或使用定距挡块时则必须调整限深器。

- 向外翻出限深器(25)。
- 通过手柄(3)将滑动臂(23)摆动到所需的位置。
- 转动调整螺栓(24), 直至螺栓末端接触到限深器(25)。

- 慢慢地向上提起滑动臂(23)。

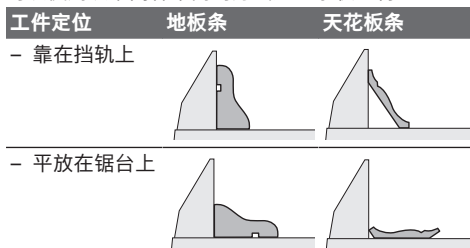
特殊工件

锯切弯曲或圆形工件时，必须特别加强固定好工作，以防工件打滑。在锯切线上，工件、挡轨和锯台之间不允许有空隙。

必要时，必须制造专用支架。

加工雕刻的木条

可以使用以下两种不同的方式加工条状型材：



接下来可以根据条状型材的宽度，选择带或不带滑动的锯割方式。

务必先在废木上测试设定好的斜切角度（水平和/或垂直）。

检查和调整基本设定

为了确保精确的锯切，在频繁使用之后必须检查电动工具的基本设定，必要时进行适度调整。

检查时不仅要有足够的经验，而且还要使用特殊工具。

博世的客户服务中心能够快速可靠地执行这项工作。

将垂直标准斜切角度调到0°

- 将电动工具调整在运输位置上。
- 转动锯台(33)，直至达到0°对应的标记槽(14)。必须可以感觉到杆(12)卡入标记槽中。

检查 (参见插图R1)

- 将角规调整到90°并将其放到锯台(33)上。角规的支脚必须与锯片(34)在整个长度上齐平。

调整 (参见插图R2)

- 松开夹紧手柄(13)。
- 使用套筒扳手（10毫米）拧松两个调整螺栓(54)（至少1圈）。
- 用内六角扳手（4毫米）(30)拧松调整螺栓(56)（约3圈）。
- 用内六角扳手（4毫米）(30)尽可能地拧入或拧出调整螺栓(55)，直到角规的支脚和锯片在整个长度上齐平。
- 重新拧紧夹紧手柄(13)。接着先拧紧调整螺栓(56)，然后再重新拧紧调整螺栓(54)。

如果角度指示器(28)和(21)在调整后未指向刻度尺(27)的0°标记线，请用十字螺丝刀松开固定螺栓并沿着0°标记校准角度指示器。

将垂直标准斜切角度调到45°（左侧）

- 将电动工具调整在工作位置上。

- 转动锯台(33)，直至达到0°对应的标记槽(14)。必须可以感觉到杆(12)卡入标记槽中。
- 向外完全拉出左侧活动式挡轨(7)。
- 松开夹紧手柄(13)并通过手柄(3)将滑动臂向左翻到极限位置（45°）。

检查 (参见插图S1)

- 将角规调整到45°并将其放到锯台(33)上。角规的支脚必须与锯片(34)在整个长度上齐平。

调整 (参见插图S2)

- 用棘轮扳手（8毫米）尽可能地拧入或拧出调整螺栓(57)，直到角规的支脚和锯片在整个长度上齐平。
- 重新拧紧夹紧手柄(13)。

如果角度指示器(28)和(21)在调整后未指向刻度尺(27)的45度标记线，首先请再次检查垂直斜切角度的0度设置和角度指示器。然后重复设定45度垂直斜切角度。

将垂直标准斜切角度调到45°（右侧）

- 将电动工具调整在工作位置上。
- 转动锯台(33)，直至达到0°对应的标记槽(14)。必须可以感觉到杆(12)卡入标记槽中。
- 向外完全拉出右侧活动式挡轨(7)。
- 松开夹紧手柄(13)。
- 通过手柄(3)使滑动臂离开0°位置略微向左倾斜，转动旋钮(32)，直至显示右侧垂直斜切角度范围。
- 通过手柄(3)将滑动臂向右翻到极限位置（45°）。

检查 (参见插图T1)

- 将角规调整到135°并将其放到锯台(33)上。角规的支脚必须与锯片(34)在整个长度上齐平。

调整 (参见插图T2)

- 用棘轮扳手（8毫米）尽可能地拧入或拧出调整螺栓(58)，直到角规的支脚和锯片在整个长度上齐平。
- 重新拧紧夹紧手柄(13)。

如果角度指示器(28)和(21)在调整后未指向刻度尺(27)的45度标记线，首先请再次检查垂直斜切角度的0度设置和角度指示器。然后重复设定45度垂直斜切角度。

对准水平斜切角度的刻度尺

- 将电动工具调整在工作位置上。
- 转动锯台(33)，直至达到0°对应的标记槽(14)。必须可以感觉到杆(12)卡入标记槽中。

检查 (参见插图U1)

- 将角规调节到90°并在锯台(33)上将其放到挡轨(8)和锯片(34)之间。

角规的支脚必须与锯片(34)在整个长度上齐平。

调整 (参见插图U2)

- 用内六角扳手（4毫米）(30)松开所有四个调整螺栓(59)，转动锯台(33)和刻度尺(31)，直至角规的支脚和锯片在整个长度上齐平。
- 重新拧紧螺栓。

如果角度指示器(51)在调整后未指向刻度尺(31)的0度标记线, 请用十字螺栓刀松开螺栓(60)并沿着0度标记校准角度指示器。

调整夹紧手柄(13)的夹紧力 (参见插图V)

夹紧手柄(13)的夹紧力可以重新调节。

检查

- 不管是设定在哪一个垂直的斜切角度上, 固定提杆的夹紧力必须能够紧紧地固定好滑动臂。

调整

- 松开夹紧手柄(13)。
- 用套筒扳手 (17毫米) 逆时针转动调整螺栓(61)可降低夹紧力, 顺时针转动则提高夹紧力。
- 调整垂直斜切角度, 再次拧紧夹紧手柄(13)并检查是否已达到所需的夹紧力。

运输 (参见插图W)

运输电动工具之前必须先执行以下各步骤:

- 将滑动臂(23)向后推到底并将其固定在该位置 (参见"固定滑动臂", 页码23)。
- 确保限深器(25)已向内压到底并通过开口调节调整螺栓(24), 使滑动臂在移动时不会碰到限深器。
- 尽可能地向下滑动滑动臂, 直至将运输固定装置(26)能向内压到底
- 将延伸架(16)向内推到底。
- 将垂直斜切角度调整到0度并拧紧夹紧手柄(13)。
- 将锯台(33)旋转至极限位置并拧紧固定旋钮(11)。
- 用魔术贴固定带(62)将电源线绑在一起。
- 拆除所有无法固定安装在电动工具上的附件。
- 运输时必须尽可能把不使用的锯片放置在封闭的盒子中。
- 提携电动工具时抓住锯台侧面的握柄槽(17)。
- ▶ 运输电动工具时只能使用运输装置, 不要使用防护装置、滑动臂(23)或手柄(3)。

维修和服务

保养和清洁

- ▶ 在电动工具上进行所有操作之前都必须从插座上拔出电源插头。
- ▶ 电动工具和通气孔必须随时保持清洁, 以确保工作效率和工作安全。

如果必须更换连接线, 务必把这项工作交给Bosch或者经授权的Bosch电动工具客户服务执行, 以避免危害机器的安全性能。

摆动防护罩必须能够无阻地来回摆动, 并且要能够自动关闭, 所以防护罩的四周必须随时保持清洁。每次工作结束后, 使用压缩空气或毛刷清除机器上的灰尘和锯屑。

- 定期清洁滑轮(20)和滑动臂(23)。

附件

	物品代码
螺旋夹钳	1 609 B06 203
垫板	1 609 B04 263 1 609 B04 264
集尘袋	1 609 B02 595
吸尘适配接头	2 607 001 977
适用于以下型号:	
3 601 M27 04./... 0L./... 08./... 0B./... 0K.	
用于木材和板材、装饰板和木条的锯片	
锯片, 254 x 25.4毫米, 40齿	2 608 676 047
用于硬木、复合材料、塑料和非金属的锯片	
锯片, 254 x 25.4毫米, 40齿	2 608 640 969
锯片, 254 x 25.4毫米, 40齿	2 608 640 970
锯片, 254 x 25.4毫米, 40齿	2 608 640 971
适用于以下型号:	
3 601 M27 00./... 03./... 07./... 06.	
用于木材和板材、装饰板和木条的锯片	
锯片, 254 x 30毫米, 40齿	2 608 642 530
用于硬木、复合材料、塑料和非金属的锯片	
锯片, 254 x 30毫米, 80齿	2 608 642 528

客户服务和应用咨询

本公司客户服务处负责回答有关本公司产品的修理、维护和备件的问题。备件的展开图纸和信息也可查看: www.bosch-pt.com
博世应用咨询团队乐于就我们的产品及其附件问题提供帮助。

询问和订购备件时, 务必提供机器铭牌上标示的10位数物品代码。

中国大陆

博世电动工具(中国)有限公司

中国 浙江省 杭州市

滨江区 滨康路567号

102/1F 服务中心

邮政编码: 310052

电话: (0571)8887 5566 / 5588

传真: (0571)8887 6688 x 5566# / 5588#

电邮: bsc.hz@cn.bosch.com

www.bosch-pt.com.cn

制造商地址:

Robert Bosch Power Tools GmbH

罗伯特·博世电动工具有限公司

70538 Stuttgart / GERMANY

70538 斯图加特 / 德国

其他服务地址请见:

www.bosch-pt.com/serviceaddresses

处理废弃物

必须以符合环保要求的方式回收再利用电动工具、附件和包装材料。



請勿將電動工具扔到生活垃圾中！

繁體中文

安全注意事項

電動工具通用安全警告

警告

請詳讀工作臺及電動工具的所有安全警告與使用說明。若不遵照以下列出的指示，將可能導致電擊、著火和/或人員重傷。

保存所有警告和說明書以備查閱。

在所有警告中，「電動工具」此一名詞泛指：以市電驅動的（有線）電動工具或是以電池驅動的（無線）電動工具。

工作場地的安全

- ▶ 保持工作場地清潔和明亮。混亂和黑暗的場地會引發事故。
- ▶ 不要在易爆環境，如有易燃液體、氣體或粉塵的環境下操作電動工具。電動工具產生的火花會點燃粉塵或氣體。
- ▶ 讓兒童和旁觀者離開後操作電動工具。注意力不集中會使您失去對工具的控制。

電氣安全

- ▶ 電動工具插頭必須與插座相配。絕不能以任何方式改裝插頭。需接地的電動工具不能使用任何轉換插頭。未經改裝的插頭和相配的插座將減少電擊危險。
- ▶ 避免人體接觸接地表面，如管道、散熱片和冰箱。如果您身體接地會增加電擊危險。
- ▶ 不得將電動工具暴露在雨中或潮濕環境中。水進入電動工具將增加電擊危險。
- ▶ 不得濫用電線。絕不能用電線搬運、拉動電動工具或拔出其插頭。使電線遠離熱源、油、銳利邊緣或移動零件。受損或纏繞的軟線會增加電擊危險。
- ▶ 當在戶外使用電動工具時，使用適合戶外使用的延長線。適合戶外使用的軟線，將減少電擊危險。
- ▶ 如果在潮濕環境下操作電動工具是不可避免的，應使用剩餘電流動作保護器（RCD）。使用RCD可降低電擊危險。

人身安全

- ▶ 保持警覺，當操作電動工具時關注所從事的操作並保持清醒。當您感到疲倦，或在有藥物、酒精或治療反應時，不要操作電動工具。在操作電動工具時瞬間的疏忽會導致嚴重人身傷害。

- ▶ 使用個人防護裝置。始終佩戴護目鏡。安全裝置，諸如適當條件下使用防塵面具、防滑安全鞋、安全帽、聽力防護等裝置能減少人身傷害。
- ▶ 防止意外起動。確保開關在連接電源和/或電池盒、拿起或搬運工具時處於關閉位置。手指放在已接通電源的開關上或開關處於接通時插入插頭可能會導致危險。
- ▶ 在電動工具接通之前，拿掉所有調節鑰匙或扳手。遺留在電動工具旋轉零件上的扳手或鑰匙會導致人身傷害。
- ▶ 手不要伸展得太長。時刻注意立足點和身體平衡。這樣在意外情況下能很好地控制電動工具。
- ▶ 著裝適當。不要穿寬鬆衣服或佩戴飾品。讓您的衣物及頭髮遠離運動部件。寬鬆衣服、佩戴或長髮可能會捲入運動部件中。
- ▶ 如果提供了與排屑、集塵設備連接用的裝置，要確保他們連接完好且使用得當。使用這些裝置可減少塵屑引起的危險。
- ▶ 切勿因經常使用工具所累積的熟練感而過度自信，輕忽工具的安全守則。任何一個魯莽的舉動都可能瞬間造成人員重傷。

電動工具使用和注意事項

- ▶ 不要濫用電動工具，根據用途使用適當的電動工具。選用適當設計的電動工具會使您工作更有效、更安全。
- ▶ 如果開關不能開啟或關閉工具電源，則不能使用該電動工具。不能用開關來控制的電動工具是危險的且必須進行修理。
- ▶ 在進行任何調整、更換配件或貯存電動工具之前，必須從電源上拔掉插頭並/或取出電池盒。這種防護性措施將減少工具意外起動的危險。
- ▶ 將閒置不用的電動工具貯存在兒童所及範圍之外，並且不要讓不熟悉電動工具或對這些說明不瞭解的人操作電動工具。電動工具在未經培訓的用戶手中是危險的。
- ▶ 保養電動工具與配備。檢查運動件是否調整到位或卡住，檢查零件破損情況和影響電動工具運行的其他狀況。如有損壞，電動工具應在使用前修理好。許多事故由維護不良的電動工具引發。
- ▶ 保持切削刀具鋒利和清潔。保養良好的有鋒利切削刃的刀具不易卡住而且容易控制。
- ▶ 按照使用說明書，考慮作業條件和進行的作業來使用電動工具、配件和工具的刀頭等。將電動工具用於那些與其用途不符的操作可能會導致危險。
- ▶ 把手及握持區應保持乾燥、潔淨，且不得沾染任何油液或油脂。易滑脫的把手及握持區將無法讓您在發生意外狀況時安全地抓緊並控制工具。

檢修

- ▶ 將您的電動工具送交專業維修人員，必須使用同樣的備件進行更換。這樣將確保所維修的電動工具的安全性。

角度切斷機的安全警告

- ▶ 角度切斷機主要用於切割木材或質地相似之產品，無法搭配切割砂輪用於切割金屬類材料，如

鋼筋、金屬桿、螺柱等。砂磨粉塵會使運動元件（例如下擋板）卡住。砂輪切割產生的火花會燒到下擋板、墊片與其他塑料零件。

- ▶ 請盡量利用夾具固定加工件。若用手握持加工件，手與鋸片兩側應保持至少100 mm的距離。請勿用此鋸片切割過小而無法固定或需用手握持的工件。若您的手太靠近鋸片，會增加因接觸鋸片而受傷的風險。
- ▶ 加工件需保持固定，並使用圍欄與工作台進行固定。請勿將加工件朝鋸片方向送入或「徒手」進行切割。未固定或移動的加工件可能高速拋出而造成人員受傷。
- ▶ 請推動鋸片通過加工件。切勿拉動鋸片通過加工件。切割時，請將鋸頭升高並拉出而不要與加工件接觸，接著將鋸頭下壓再推動鋸片通過加工件。以拉動方式進行切割會造成鋸片移至加工件上，而使鋸片組件突然射向操作員。
- ▶ 請勿將手穿過鋸片切割路線的上方。以「雙手交叉」的方式握持加工件，例如以左手將加工件握在鋸片右側（反之亦然），是非常危險的。
- ▶ 當鋸片仍在轉動時，不論是為了取下剩餘的木材或任何原因，請勿將雙手伸過圍欄靠近鋸片至100 mm以內。您的手可能因不慎靠近轉動的鋸片而造成嚴重的傷害。
- ▶ 在切割前請先檢視您的加工件。若加工件呈現弓形或有彎曲，在固定時請將彎曲面的凸緣朝向圍欄。請隨時讓加工件、圍欄與工作台在切割線上保持切齊。變形或彎曲的加工件可能會扭曲或偏移而在切割時卡到轉動的鋸片。在加工件中不可有釘子等外物。
- ▶ 在使用鋸片前請先將工作台上的工具、木屑等淨空，僅留下加工件。小型碎屑、鬆脫的木材或其他物件如接觸到轉動之鋸片可能會高速射出。
- ▶ 一次只切割一片加工件。將多個加工件疊起來不易固定或支撐，故可能會在切割時卡住鋸片或偏移。
- ▶ 使用前請確實將角度切斷機安裝或放置在水平、堅固的工作面上。水平且堅固的工作面可降低使角度切斷機不穩定的風險。
- ▶ 作業前請先做規劃。每次變動傾斜或斜角的設定時，請記得調整圍欄使其能正確支撐加工件且不會影響到防護系統。當機具未「開啟」且工作台上無加工件的情況下，先模擬移動鋸片以確認其不會受到任何影響或有切割到圍欄的風險。
- ▶ 遇到較工作台更長或更寬的加工件時，請用工作台延伸裝置、鋸木架等協助固定。若未確實固定超出角度切斷機的加工件，則加工件可能會翻倒。若切斷的物品或加工件翻倒，可能會使下擋板翹起或物品被轉動的鋸片射出。
- ▶ 請勿讓其他人員擔任工作台延伸裝置或額外支撐的角色。未固定加工件在切割時會造成刀片卡住或使加工件移動而使您與助手偏向鋸片。
- ▶ 切除的物件不可卡住或靠近轉動的鋸片。若加以限制（如使用長度擋片），切除的物件可能會接觸到鋸片而突然射出。
- ▶ 請隨時利用固定裝置或夾具將圓形材料如桿子、管子等妥善固定。桿子在切割時容易滾動，使鋸

片卡住而將加工件連同您的手一起「捲入」鋸片中。

- ▶ 在讓鋸片接觸加工件時，請先讓刀片達到全速運轉的狀態。如此可降低加工件射出的風險。
- ▶ 若加工件或鋸片卡住，請將角度切斷機關閉。請等候移動零件停止再將插頭從電源拔掉及/或取下電池組。接著再設法清除卡住的材料。在加工件卡住的狀態下繼續鋸切會造成失控或角度切斷機損壞。
- ▶ 在切割完畢後，請鬆開開關、保持鋸頭朝下等候鋸片停止，然後再取下切開的加工件。用手靠近急轉的鋸片非常危險。
- ▶ 當切割不完整或在鋸頭未完全處於下方位置時鬆開開關，請握緊握把。鋸片的煞車動作會造成鋸頭突然下拉而有受傷的風險。
- ▶ 作業區請保持整潔。複合材質是極具危險性的材質。輕質合金粉塵可能會起火或爆炸。
- ▶ 不可以使用已經變鈍、有裂痕、彎曲或損壞的鋸片。鋸片如果已經變鈍了，或者鋸齒變形了，會因為鋸縫過小而提高鋸割時的磨擦，鋸片容易被夾住並造成反彈。
- ▶ 不可以使用高合金快速鋼（HSS）製造的鋸片。此類鋸片容易折斷。
- ▶ 請務必使用具備正確尺寸和心軸形狀（鑽石或圓形）的鋸片。不符合鋸片安裝硬體的刀片在運轉時將會偏離中心，進而導致失控。
- ▶ 如果電動工具仍在運轉，不可以試著清除切割範圍內的鋸屑、木屑等。先收回機臂然後再關閉電動工具。
- ▶ 加工後如果鋸片尚未冷卻，切勿觸摸鋸片。工作時鋸片會變得非常灼熱。

符號

以下符號可以幫助您正確地使用本電動工具。請牢記各符號和它們的代表意義。正確了解各符號代表的意義，可以幫助您更有把握更安全地操作本電動工具。

符號和它們的代表意義



當電動工具運轉時，切勿把手伸進鋸切範圍內。手若觸碰鋸片有被割傷的危險。



請佩戴防塵面罩。



請佩戴護目鏡。

符號和它們的代表意義



請佩戴耳罩。工作噪音會損壞聽力。



危險範圍！手掌，手臂和手指頭必須盡可能遠離這個範圍。



手指頭不可以伸入滑動臂的活動零件中。手指頭可能被捲入零件並造成嚴重傷害。

3 601 M27 04.
3 601 M27 0L.
3 601 M27 08.
3 601 M27 0B.
3 601 M27 0K.

請注意鋸片尺寸。鋸片上的內孔直徑必須和工具主軸完全吻合，不能有空隙。如果必須使用異徑管，則應注意：異徑管尺寸必須與鋸片主體厚度、鋸片內孔直徑以及工具主軸直徑相配。請儘可能使用鋸片隨附的異徑管。

鋸片直徑必須與符號上的數值相符。

3 601 M27 00.
3 601 M27 03.
3 601 M27 06.
3 601 M27 07.

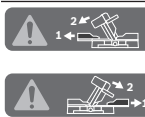
請注意鋸片尺寸。鋸片上的內孔直徑必須和工具主軸完全吻合，不能有空隙。如果必須使用異徑管，則應注意：異徑管尺寸必須與鋸片主體厚度、鋸片內孔直徑以及工具主軸直徑相配。請儘可能使用鋸片隨附的異徑管。



搬運電動工具時只能握在專門為搬運而設置的指定位置上（把手槽）。



切勿從滑動臂的把手處提起電動工具。



斜鋸角為垂直角度時，必須移動左側或右側擋軌延長件，或者將它整個拆除。



緊固握把打開：
可調整垂直斜鋸角。



緊固握把閉合：
固定住滑動臂已調整好的垂直斜鋸角。



指示調整垂直方向斜鋸角的各個步驟。

1. 鬆開緊固握把
2. 將滑動臂略微往左翻轉
3. 利用旋鈕調整所需的垂直斜鋸角範圍

符號和它們的代表意義



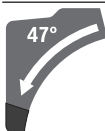
利用旋鈕調整垂直斜鋸角範圍：



鋸片向左傾斜 (45° ... 0°)



鋸片向右傾斜 (0° ... 45°)



滑動臂的整個翻轉範圍 (-47° ... +47°)



根據需要設定水平的斜鋸角時，鋸台必須能夠自由移動，換言之角度設定飛輪必須上鎖：

- 拉起撥桿 ①，同時將角度設定飛輪前端往下壓 ②。

產品和功率描述



請詳讀所有安全注意事項和指示。如未遵守安全注意事項與指示，可能導致火災、人員遭受電擊及/或重傷。

請留意操作說明書中最前面的圖示。

依規定使用機器

本電動工具適合以站立的方式，在木材上進行縱向和橫向的直線鋸切。此時可加工的水平斜鋸角為 -52° 至 +60°，可加工的垂直斜鋸角為（左側）47° 至（右側）47°。

本電動工具的功率適合鋸切硬木和軟木，以及塑合板與纖維板。

安裝合適的鋸片後，也可以鋸切鋁製型材和塑膠。

插圖上的機件

機件的編號和電動工具詳解圖上的編號一致。

- (1) 集塵袋
- (2) 滑動機構的夾緊桿
- (3) 把手
- (4) 起停開關的作動安全鎖
- (5) 防護罩
- (6) 活動防護罩
- (7) 可調式止動滑軌
- (8) 止動滑軌
- (9) 嵌補板
- (10) 角度設定飛輪
- (11) 偏好斜鋸角的鎖定旋鈕（水平）
- (12) 斜鋸角設定扳片（水平）
- (13) 偏好斜鋸角的緊固握把（垂直）
- (14) 基本斜鋸角的刻槽（水平）

- (15) 安裝孔
- (16) 延伸架
- (17) 把手凹槽
- (18) 延伸架夾緊桿
- (19) 活動夾鉗
- (20) 滑輪
- (21) 右側斜鋸角範圍的角度指示器 (0° ... 47°) (垂直)
- (22) 導屑器
- (23) 滑動臂
- (24) 限深擋塊的校正螺栓
- (25) 限深擋塊
- (26) 搬運固定裝置
- (27) 斜鋸角刻度尺 (垂直)
- (28) 左側斜鋸角範圍的角度指示器 (47° ... 0°) (垂直)
- (29) 22.5° 斜鋸角調整鈕 (垂直)
- (30) 內六角扳手 (6 mm / 4 mm)
- (31) 斜鋸角刻度尺 (水平)
- (32) 斜鋸角範圍調整旋鈕 (垂直)
- (33) 鋸台
- (34) 鋸片
- (35) 吸塵轉接頭
- (36) 出屑口
- (37) 活動防護罩支撐桿的鎖定螺栓
- (38) 活動防護罩支撐桿
- (39) 前方固定螺栓 (遮板 / 活動防護罩)
- (40) 後方固定螺栓 (遮板 / 活動防護罩)
- (41) 遮板
- (42) 主軸鎖
- (43) 固定鋸片的內六角螺栓
- (44) 緊固法蘭
- (45) 內側緊固法蘭
- (46) 可調式止動滑軌的鎖定螺栓
- (47) 減震器
- (48) 減震功能的調整螺栓
- (49) 活動夾鉗安裝孔
- (50) 螺桿
- (51) 斜鋸角的角度指示器 (水平)
- (52) 電源開關
- (53) 嵌補板的固定螺栓
- (54) / 0° 基本設定的調整螺栓 (垂直斜鋸角)
- (55) /
- (56) /
- (57) 45° 基本設定的調整螺栓 (左側垂直斜鋸角)
- (58) 45° 基本設定的調整螺栓 (右側垂直斜鋸角)
- (59) 斜鋸角刻度尺的調整螺栓 (水平)
- (60) 角度指示器的固定螺栓 (水平)
- (61) 用以設定任意斜鋸角之緊固握把的夾力調整螺栓 (垂直)
- (62) 魔鬼氈帶

技術性數據

斜斷鋸		GCM 10 GDJ	GCM 10 GDJ
產品機號		3 601 M27 04. 3 601 M27 0L. 3 601 M27 08. 3 601 M27 0B. 3 601 M27 0K.	3 601 M27 00. 3 601 M27 03. 3 601 M27 06. 3 601 M27 07.
額定輸入功率	W	2000	2000
無負載轉速	次 / 分	5000	5000
起動限流器		●	●
重量符合 EPTA-Procedure 01:2014	kg	31,6	31,6
絕緣等級		□ / II	□ / II
適用鋸片的尺寸			
鋸片直徑	mm	254	254
鋸片主體的厚度	mm	1.7-2.6	1.7-2.6
最大鋸切寬度	mm	3.2	3.2
孔徑	mm	25.4	30

本說明書提供的參數是以 230 伏特為依據，於低電壓地區，此數據有可能不同。

容許的工件尺寸 (最大 / 最小) : (參見「容許的工件尺寸」, 頁 48)

安裝

- ▶ **請避免意外啟動電動工具。安裝時以及進行電動工具的維護修理工作時，機器的插頭都不可以插在插座中。**

供貨範圍



對此，請您留意操作說明書開頭處的供貨範圍說明。

初次使用本電動工具之前，先檢查以下各部件是否包含在供貨範圍中：

- 已安裝鋸片的斜斷鋸 (34)
- 鎖定旋鈕 (11)
- 已裝上固定套件的緊固握把 (13)
- 已裝上固定套件的延伸架 (16) 和夾緊桿 (18)
- 集塵袋 (1)
- 內六角扳手 (30)
- 活動夾鉗 (19)

提示：檢查電動工具是否有壞損之處。

使用電動工具之前，必須仔細檢查防護裝置或輕微損壞的零件是否仍然運作正常。檢查活動零件是否功能正常、沒有被卡死，以及是否有任何零件有否受損。所有零件都必須安裝正確，並且符合規定以確保機器能夠正常運作。

損壞的防護裝置和零件必須按照規定交給合格的專業修理廠修理或更換。

除了供貨範圍中的部件之外，您還須使用以下的工具：

- 十字螺栓起子
- 棘輪扳手 (尺寸：8 mm)
- 環形扳手、開口扳手或套筒扳手 (尺寸：10 mm 和 17 mm)

安裝各部件

- 小心地從包裝中取出所有隨附零件。
- 拆除電動工具和隨附配件上的所有包裝材料。

安裝鎖定旋鈕 (請參考圖 a)

- 將鎖定旋鈕 (11) 旋入撥桿 (12) 上方的對應孔內。
- ▶ **鋸切之前務必旋緊鎖定旋鈕 (11)。** 否則鋸片可能在工件中傾斜。

安裝偏斜鋸角的緊固握把 (垂直) (請參考圖 a)

安裝緊固握把 (13) 時，請使用隨附的固定套件 (套筒扳手、螺母、2 個墊片)。

- 請將各部件按指定之順序 (大墊片、緊固握把、小墊片、螺母) 套到電動工具的螺紋插銷上。
- 旋緊螺母時，請將隨附的內六角扳手 (30) 套在套筒扳手的開孔內，可讓您施力更輕鬆。
- 請將螺母完全旋緊。

安裝延伸架 (請參考圖 b)

安裝延伸架 (16) 時，請使用隨附的固定套件 (2 支夾緊桿 (18)、2 個彈簧螺栓、2 個滾花螺栓)。

- 將延伸架 (16) 往鋸台 (33) 上規格相符的開孔內推入到底。
- 用手將滾花螺栓完全旋入規格相符的開孔內。
- 將夾緊桿 (18) 放到滾花螺栓的螺栓頭上。
- 用彈簧螺栓固定住夾緊桿 (18)。
- 用隨附的內六角扳手 (30) 旋緊彈簧螺栓，即可增加夾緊桿 (18) 的夾緊力道。

固定安裝方式或活動安裝方式

- ▶ **為了能夠穩定地操作機器，正式使用機器之前，必須把電動工具固定在平坦、穩固的工作平面上 (例如工作桌)。**

安裝在工作平面上 (請參考圖 c1)

- 使用合適的夾鉗把電動工具固定在工作平面上。必須利用安裝孔 (15) 來進行固定。

或

- 也可以使用一般市售活動夾鉗，夾住電動工具的支撐腳以便將它固定在工作平面上。

安裝在博世工作台上

(請參考圖 c2)

(GTA 2500 W, GTA 3700, GTA 3800)

博世的 GTA 工作桌擁有可調整高度的桌腳，使電動工具能夠穩固站立在任何底座上。工作桌的工件托架可以支撐較長工件。

- ▶ **請詳讀工作桌附帶的所有警告指示和說明。** 若未遵循警告指示和說明可能遭受電擊、發生火災並/或造成嚴重傷害。
- ▶ **安裝電動工具之前必須先正確地組裝工作桌。** 重點是要正確地組裝工作桌，如此可以避免工作桌倒塌。
- 把電動工具調整至搬運位置並將其安裝在工作台上。

吸除廢塵/料屑

含鉛顏料、部分木材種類、礦石和金屬的加工廢塵有害健康。機器操作者或施工現場附近的人員如果接觸、吸入這些廢塵，可能會引發過敏反應或感染呼吸道疾病。

某些塵埃 (例如加工橡木或山毛櫸的廢塵) 可能致癌，特別是與處理木材的添加劑 (例如木材的防腐劑等) 結合之後。唯有受過專業訓練的人才能夠進行含石棉物料的加工。

- 儘可能使用適合物料的吸塵裝置。
- 工作場所要保持空氣流通。
- 建議佩戴 P2 過濾等級的口罩。

請留意並遵守貴國的物料加工相關法規。

- ▶ **避免讓工作場所堆積過多的塵垢。** 塵埃容易被點燃。

廢塵/料屑吸集裝置可能被廢塵、廢屑或工件殘屑堵塞。

- 關閉電動工具，並且從插座中拔出插頭。

- 請您稍候，讓鋸片完全停止轉動。
- 找出造成堵塞的原因，並排除障礙。

機器本身的吸塵裝備 (請參考圖 d)

為了方便收集料屑，請使用隨附的集塵袋 (1)。

- 將集塵袋 (1) 套到吸塵轉接頭 (35) 上並旋轉，使吸塵轉接頭的插銷卡進集塵袋上的卡槽內。

鋸切時，集塵袋千萬不可以接觸轉動中的機具零件。

適時倒空集塵袋中的廢塵。

- ▶ 每次操作完畢後，都要檢查並且清潔集塵袋。
- ▶ 為了避免造成火災，鋸切鋁片時要拆除集塵袋。

外接其他吸塵裝置

若要吸塵，您也可在吸塵轉接頭 (35) 接上吸塵器軟管 (直徑 mm)。

- 將吸塵器軟管連接至吸塵轉接頭 (35)。

根據工件材質選擇合適的吸塵器。

收集可能危害健康、可能致癌或乾燥的廢塵時，務必使用特殊吸塵器。

清潔吸塵轉接頭

必須定期清潔吸塵轉接頭 (35)，以確保最佳吸塵效果。

- 以旋轉方式將吸塵轉接頭 (35) 從出屑口 (36) 上拔下。
- 清除工件的碎塊和鋸屑。
- 再度把吸塵轉接頭旋入出屑口中，要讓轉接頭越過出屑口的支撐環並正確地卡牢。

更換鋸片 (請參考圖 e1-e4)

- ▶ 維修電動工具或換裝零、配件之前，務必從插座上拔出插頭。
- ▶ 安裝鋸片時務必穿戴防護手套。碰觸到鋸片可能被割傷。

所使用的鋸片其最高容許轉速必須高於電動工具的無負載轉速。

根據本說明書中提出的特性參數選擇合適的鋸片。必須選用通過 EN 847-1 認證並具有認證標示的鋸片。

只能使用本電動工具製造商所推薦的鋸片，以及加工物料適用的鋸片。唯有這樣做才能避免鋸切時發生鋸齒過熱的情形。

拆卸鋸片

- 把電動工具調整至工作位置。
- 用內六角扳手 (6 mm) (30) 將鎖定螺栓 (37) 鬆開至支撐桿 (38) 能夠自然垂下的程度。
- 用內六角扳手 (4 mm) (30) 鬆開固定螺栓 (39) (約 2 圈)。
不要完全旋出該螺栓。
- 用內六角扳手 (4 mm) (30) 鬆開固定螺栓 (40) (約 6 圈)。
不要完全旋出該螺栓。
- 將遮板 (41) 前後來回拉扯，從固定螺栓 (40) 上拔開。

- 將活動防護罩 (6) 往後翻轉，然後讓它保持在這個位置上。
- 將支撐桿 (38) 的圓孔掛至固定螺栓 (40) 上。這樣便可以讓活動防護罩保持在開啟位置。
- 用內六角扳手 (6 mm) (30) 旋轉內六角螺栓 (43) 並同時按壓主軸鎖 (42)，讓它卡緊。
- 按壓主軸鎖 (42) 不要放開，並沿順時針方向將內六角螺栓 (43) 旋出 (左旋螺紋!)。
- 取下緊固法蘭 (44)。
- 取出鋸片 (34)。

安裝鋸片

- ▶ 安裝時請注意，鋸齒的鋸切方向 (即鋸片上的箭頭指示方向) 必須與防護罩上的箭頭指示方向一致!

必要時，請在安裝前清潔所有待安裝的零部件。

- 將新鋸片裝到內側緊固法蘭 (45) 上。
- 裝上緊固法蘭 (44) 和內六角螺栓 (43)。按壓主軸鎖 (42)，直到其卡緊，接著再沿逆時針方向旋緊內六角螺栓。
- 從固定螺栓 (40) 鬆開支撐桿 (38) 然後將活動防護罩 (6) 重新往下拉。
- 將遮板 (41) 重新推至固定螺栓 (40) 底下。
- 重新旋緊固定螺栓 (40) 和 (39)。
- 將支撐桿 (38) 推至原來位置上，然後用內六角扳手 (6 mm) (30) 將鎖定螺栓 (37) 重新旋緊。

操作

- ▶ 維修電動工具或換裝零、配件之前，務必從插座上拔出插頭。

搬運固定裝置 (請參考圖 A)

搬運固定裝置 (26) 可讓您輕鬆將電動工具搬運至不同工作地點。

解開電動工具的鎖定 (工作位置)

- 從把手 (3) 處將滑動臂 (23) 略微往下按壓，以便將搬運固定裝置 (26) 鬆開。
- 將搬運固定裝置 (26) 拉至最外側。
- 慢慢地向上提起滑動臂 (23)。

鎖定電動工具 (搬運位置)

- 將滑動臂 (23) 推到最後面，然後將它固定在這個位置上。
- 將滑動臂往下拉至，搬運固定裝置 (26) 能夠推至最內側的程度。

進一步提示：搬運

鎖定滑動臂

滑動臂 (23) 的滑動機構可透過夾緊桿 (2) 鎖定。滑動臂可以固定在兩個位置：

- 將滑動臂推到最後面時 (適用於鋸斷)
- 將滑動臂拉至最前面時 (適用於收攏的搬運位置)

解開滑動臂的鎖定 (請參考圖 B1)

滑動臂 (23) 解開鎖定後，滑動機構即可全面使用。

- 將夾緊桿 (2) 往下按壓到底。
- 此時夾緊桿的夾緊楔便會放開滑動臂的兩個下方關節部位。

鎖定滑動臂 (請參考圖 B2)

滑動臂推到最後面：

- 將滑動臂 (23) 往後推到底。
- 此時滑動臂的兩個上方關節部位會豎立起來並且閉合。
- 將夾緊桿 (2) 往上拉起，直到夾緊楔位於滑動臂的兩個下方關節部位之間。
- 已推到最後面的滑動臂 (23) 將因此鎖定無法再移動。

滑動臂推到最前面：

- 將滑動臂 (23) 往前拉到底。
- 此時滑動機構會完全移出。

鋸切水平及/或垂直斜鋸角時，必須依照鋸切方向將左側或右側的活動式止動滑軌 (7) 往外拉或整個拆除。

垂直斜鋸角	水平斜鋸角	
0°-47° (左側)	≤ 44° (右側/左側)	- 鬆開鎖定螺栓 (46)。 - 將左側活動式止動滑軌 (7) 拉至最外側。
0°-47° (左側)	≥ 45° (右側/左側)	- 鬆開鎖定螺栓 (46)。 - 將左側活動式止動滑軌 (7) 拉至最外側。 - 將活動式止動滑軌往上提起。 - 拆除鎖定螺栓 (46)。
0°-47° (右側)	≤ 44° (右側/左側)	- 鬆開鎖定螺栓 (46)。 - 將右側活動式止動滑軌 (7) 拉至最外側。 - 將活動式止動滑軌往上提起。
0°-47° (右側)	≥ 45° (右側/左側)	

調整滑動臂的減震功能 (請參考圖 F)

滑動臂的滑動機構 (23) 出廠前已進行預調，電動工具出貨時並無減震功能。

您可從減震器 (47) 自行調整滑動機構的減震性能：

- 硬 - 穩定地操作；
- 軟 - 快速地鋸切。
- 用內六角扳手 (4 mm) (30) 鬆開兩顆調整螺栓 (48)，即可調軟減震性能
- 或
- 將兩顆調整螺栓 (48) 鎖得更緊，即可調硬減震性能。

固定工件 (請參考圖 G)

為確保工作安全，請務必固定好工件。

- 不可以加工太小而無法固定的工件。
- 將工件往止動滑軌 (8) 的方向壓緊。
- 將隨附的夾鉗 (19) 插進任一專為其設置的孔洞 (49)。
- 轉動螺桿 (50) 以便固定工件。

- 將夾緊桿 (2) 往上拉起，直到夾緊楔位於滑動臂的兩個下方關節部位之間。
- 已拉至最前面的滑動臂 (23) 將因此鎖定無法再移動。

正式運作前的準備工作

延長鋸台 (請參考圖 C)

長型工件的末端不可以懸空，必須做好支撐。

延伸架 (16) 可讓鋸台向左右兩側擴大工件托架。

- 把夾緊桿 (18) 向內翻折。
- 將延伸架 (16) 往外拉至所需長度 (全長 204 mm)。
- 將夾緊桿 (18) 重新往外推，即可固定住延伸架。

移動止動滑軌 (請參考圖 D-E)

設定水平與垂直斜鋸角

為確保精準鋸切，頻繁使用之後必須檢查電動工具的基本設定，必要時須適度調整。

檢查時不但要具備足夠的經驗，而且得使用特殊工具。

博世客戶服務中心能夠既快速又可靠地執行這項工作。

- ▶ 鋸切之前務必旋緊鎖定旋鈕 (11)。否則鋸片可能在工件中傾斜。

調整水平斜鋸角

設定水平方向的基本斜鋸角 (請參考圖 H)

鋸台上設有刻槽 (14)，讓您能夠快速而精準地調整至經常使用的水平斜鋸角：

左	右
	0°
45° ; 31.6° ; 22.5° ; 15°	15° ; 22.5° ; 31.6° ; 45° ; 60°
- 鎖定旋鈕 (11) 若已鎖上，請將它鬆開。	
- 拉起撥桿 (12) 然後將鋸台 (33) 往左或往右旋轉至所需刻槽。	

– 再度放開撥桿。撥桿必須正確地陷入凹槽記號中。

– 將鎖定旋鈕 (11) 重新拉緊。

設定偏好水平斜鋸角 (請參考圖 I)

水平斜鋸角的調整範圍在 52° (左側) 至 60° (右側) 之間。

– 鎖定旋鈕 (11) 若已鎖上，請將它鬆開。

– 拉起撥桿 (12)，同時將角度設定飛輪 (10) 前端往下壓。
如此便可將撥桿 (12) 固定住，但鋸台可自由移動。

– 轉動鎖定旋鈕便可讓鋸台 (33) 向左或向右移直到角度指示器 (51) 指在所需水平斜鋸角上。

– 將鎖定旋鈕 (11) 重新旋緊。

– 若要重新鬆開撥桿 (12) (以便設定水平方向的基本斜鋸角)，請將撥桿往上拉。
角度設定飛輪 (10) 會彈回原來的位置，於是又可以重新將撥桿 (12) 卡入刻槽 (14) 中。

設定垂直斜鋸角

垂直斜鋸角的調整範圍在 47° (左側) 至 47° (右側) 之間。

在 0°、22.5°、45° 和 47° 等角度上設有擋塊，可讓您快速而精準地調整至經常使用的斜鋸角。

調整左側垂直斜鋸角範圍 (45° 至 0°)

L

– 將左側活動式止動滑軌 (7) 拉至最外側。

– 鬆開緊固握把 (13)。

– 從把手 (3) 處將滑動臂 (23) 往左翻轉，直到角度指示器 (28) 指在所需垂直斜鋸角上。

– 讓滑動臂 (23) 保持在於這個位置上，然後重新旋緊緊固握把 (13)。

不管是設定在哪一個垂直斜鋸角上，緊固握把的夾緊力必須能夠緊緊地固定好滑動臂。

調整右側垂直斜鋸角範圍 (0° 至 45°) (請參考圖 J)

45° R

– 將右側活動式止動滑軌 (7) 拉至最外側。

– 鬆開緊固握把 (13)。

– 從把手 (3) 處將滑動臂 (23) 從 0° 位置略微往左傾斜，轉動旋鈕 (32)，直到看見所需垂直斜鋸角範圍。

– 從把手 (3) 處將滑動臂 (23) 往右翻轉，直到角度指示器 (21) 指在所需斜鋸角上。

– 讓滑動臂 (23) 保持在於這個位置上，然後重新旋緊緊固握把 (13)。

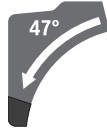
不管是設定在哪一個垂直斜鋸角上，緊固握把的夾緊力必須能夠緊緊地固定好滑動臂。

設定垂直方向的 0° 基本斜鋸角

旋鈕 (32) 卡入左側垂直斜鋸角範圍，如此才能重新微調垂直方向的 0° 基本斜鋸角。

– 將滑動臂 (23) 從右側翻轉至 0° 位置上。

調整整個垂直斜鋸角範圍 (-47° 至 +47°)



– 將兩個活動式止動滑軌 (7) 拉至最外側。

– 鬆開緊固握把 (13)。

– 從把手 (3) 處將滑動臂 (23) 從 0° 位置略微往左傾斜，轉動旋鈕 (32)，直到看見所需垂直斜鋸角範圍。

– 從把手 (3) 處將滑動臂 (23) 往左或往右翻轉，直到角度指示器 (28) 或 (21) 指在所需垂直斜鋸角上。

– 讓滑動臂 (23) 保持在於這個位置上，然後重新旋緊緊固握把 (13)。

不管是設定在哪一個垂直斜鋸角上，緊固握把的夾緊力必須能夠緊緊地固定好滑動臂。

設定垂直方向的 22.5° 基本斜鋸角 (請參考圖 K)

將調整鈕 (29) 拉至最外側，然後將它旋轉 90°。接著從把手 (3) 處翻轉滑動臂 (23)，直到聽見滑動臂卡上的聲音。

操作機器

啟動 (請參考圖 L)

– 若要開啟電動工具，請先將作動安全鎖 (4) 推到中間，接著再按壓起停開關 (52) 不要放開。

提示：基於安全考量，無法鎖定起停開關 (52) 的位置，所以操作機器時必須持續按住此開關。

關閉

– 若要關閉，鬆開起停開關 (52) 即可。

起動限流器

電子式起動限流器，能夠適當地節制電動工具開機時的功率，因此只需要安裝 16 A 的保險絲。

提示：開機後，電動工具若馬上以最大轉速開始運轉，這代表起動電流限制裝置失靈了。電動工具必須儘快送交顧客服務處修理。聯絡地址：顧客服務處和顧客諮詢中心。

作業注意事項

一般性的鋸切指示

▶ 鋸切之前務必旋緊鎖定旋鈕 (11) 和緊固握把 (13)。否則鋸片可能在工件中傾斜。

▶ 鋸切之前務必旋緊鎖定旋鈕 (11) 和夾緊桿。否則鋸片可能在工件中傾斜。

▶ 進行任何鋸切之前，必須先確定鋸片不會接觸止動滑軌、活動夾鉗或其它的機件。必要時得拆除輔助擋塊，或者適度調整輔助擋塊。

保護鋸片，以免受遭衝擊和碰撞。不可以側壓鋸片。

只能鋸切符合規定的材料。

不可以加工已被拉扯移位的工件。工件必須有一道筆直的邊，這樣才能夠貼靠在止動滑軌上。

如果工件又長又重，必須在它懸空的末端底下墊上襯墊或做好支撐。

檢查活動防護罩的功能是否正常，移動防護罩時會不會發生磨擦。將機臂往下移時，活動防護罩必須開啟。將機臂往上移時，活動防護罩必須閉合，蓋在鋸片上，並固定在機臂的最上方位置。

操作者的位置 (請參考圖 M)

- ▶ 不可以站在電動工具前而與鋸片呈一直線，所站位置應要保持在鋸片的側面。這樣可以保護身體避免受到反彈力道衝擊。
- 手掌、手指和手臂必須遠離轉動中的鋸片。
- 雙手不得橫放在機臂前方。

汰換嵌補板 (請參考圖 P)

電動工具經長時間使用後，紅色嵌補板 (9) 可能磨損。

更換損壞的嵌補板。

- 把電動工具調整在工作位置上。
- 用內六角扳手 (4 mm) (30) 旋出螺栓 (53)，然後取出舊嵌補板。
- 裝上新的右側嵌補板。
- 用螺栓 (53) 將嵌補板儘可能將往右鎖緊，即使有任何拉扯動作，鋸片全長都不會與嵌補板有任何接觸。
- 採取相同的步驟安裝新的左側嵌補板。

容許的工件尺寸

最大工件：

水平斜鋸角	垂直斜鋸角	高度 x 寬度 [mm]
0°	0°	80 x 306
45°	0°	80 x 216
0°	45° (左)	54 x 296
0°	45° (右)	30 x 296
45°	45° (左)	54 x 208
45°	45° (右)	30 x 208

最小工件 (= 所有可用隨附之夾鉗 (19) 夾在鋸片左側或右側的工件) : 145 x 306 mm (長 x 寬)

最大鋸切深度 (0°/0°) : 100 mm

鋸切

無需拉動的鋸切 (砍鋸) (請參考圖 N)

- 將滑動臂 (23) 推到最後面，然後將它固定在這個位置上。
- 請確認：限深擋塊 (25) 是否已推到最裡面且移動滑動臂時校正螺栓 (24) 不會穿過開口碰觸到限深擋塊。
- 根據尺寸固定好工件。
- 依照需求，調整好所需斜鋸角 (水平和/或垂直)。
- 啟動電動工具。
- 利用把手 (3) 緩慢地將滑動臂 (23) 往下拉。
- 鋸切工件時必須施力均勻。
- 關閉電動工具並等待鋸片完全停止轉動。

- 慢慢地向上提起滑動臂 (23)。

需拉動的鋸切 (請參考圖 O)

- ▶ 開機之前以及在整個鋸切過程都得牢牢地握緊把手。鋸切時要控制好滑動臂。只要一時分神，便可能接觸曝露在外的滑動臂進而造成傷害。
- 解開滑動臂 (23) 的鎖定。
- 透過拉出與推回滑動臂 (23)，檢查滑動機構是否可全範圍使用。
- 根據尺寸固定好工件。
- 依照需求，調整好所需斜鋸角 (水平和/或垂直)。
- 利用把手 (3) 將滑動臂 (23) 拉離止動滑軌 (8)，直到鋸片位於工件前方。
- 啟動電動工具。
- 利用把手 (3) 緩慢地將滑動臂 (23) 往下拉。
- 現在把滑動臂 (23) 推向止動滑軌 (8)，並施力均勻地鋸切工件。
- 關閉電動工具並等待鋸片完全停止轉動。
- 慢慢地向上提起滑動臂 (23)。

調整限深擋塊 (鋸切凹槽) (請參考圖 Q)

- 鋸切凹槽或使用定距擋塊時，必須調整限深擋塊。
- 將限深擋塊 (25) 往外翻轉。
- 從把手 (3) 處將滑動臂 (23) 翻轉至所需位置。
- 扭轉校正螺栓 (24)，讓螺栓末端碰觸到限深擋塊 (25)。
- 慢慢地向上提起滑動臂 (23)。

特殊工件

鋸切彎曲或圓形工件時必須特別小心，千萬要固定好工件，不可以讓工件滑動。在鋸線上，工件、止動滑軌與鋸台三者必須緊靠在一起，之間不可以存在任何空隙。

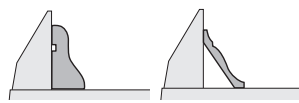
如有必要，必須製作特殊固定裝置。

加工側邊條

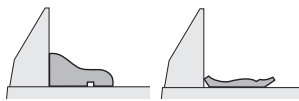
可以使用以下兩種不同的方式加工側邊條：

工件的放置方式 踢腳板 天花板飾條

- 靠在止動滑軌上



- 平放在鋸台上



接下來可以根據側邊條的寬度，選擇需拉動的鋸切方式或無需拉動的鋸切方式。

一律要先在廢木上測試調整好的斜鋸角 (水平和/或垂直)。

檢查和調整基本設定

為確保精準鋸切，頻繁使用之後必須檢查電動工具的基本設定，必要時須適度調整。

檢查時不但要具備足夠的經驗，而且得使用特殊工具。

博世客戶服務中心能夠既快速又可靠地執行這項工作。

設定垂直方向的 0° 基本斜鋸角

- 把電動工具調整在搬運位置上。
- 將鋸台 (33) 轉至 0° 刻槽 (14)。必須可感覺到撥桿 (12) 卡入刻槽。

檢查 (請參考圖 R1)

- 請將量角規設為 90°，然後將它放置到鋸台 (33) 上。

量角規的柄部必須全長與鋸片 (34) 齊平。

調整 (請參考圖 R2)

- 鬆開緊固握把 (13)。
- 鬆開兩個調整螺栓 (54) (至少旋轉 1 圈)，此時要使用套筒扳手 (10 mm)。
- 用內六角扳手 (4 mm) (30) 鬆開調整螺栓 (56) (約 3 圈)。
- 用內六角扳手 (4 mm) (30) 旋入或旋出調整螺栓 (55)，讓量角規的柄部全長與鋸片齊平。
- 將緊固握把 (13) 重新旋緊。然後先重新旋緊調整螺栓 (56)，再重新旋緊調整螺栓 (54)。

調整後，若角度指示器 (28) 和 (21) 未與刻度尺 (27) 的 0° 記號呈一直線，請用十字螺絲起子鬆開角度指示器的固定螺栓，將角度指示器對準 0° 記號。

調整垂直方向的 45° 基本斜鋸角 (左側)

- 把電動工具調整在工作位置上。
- 將鋸台 (33) 轉至 0° 刻槽 (14)。必須可感覺到撥桿 (12) 卡入刻槽。
- 將左側活動式止動滑軌 (7) 拉至最外側。
- 鬆開緊固握把 (13) 並從把手 (3) 處將滑動臂往左翻轉到底 (45°)。

檢查 (請參考圖 S1)

- 請將量角規設為 45°，然後將它放置到鋸台 (33) 上。

量角規的柄部必須全長與鋸片 (34) 齊平。

調整 (請參考圖 S2)

- 用棘輪扳手 (8 mm) 旋入或旋出調整螺栓 (57)，讓量角規的柄部全長與鋸片齊平。
- 將緊固握把 (13) 重新旋緊。

調整後，若角度指示器 (28) 和 (21) 未與刻度尺 (27) 的 45° 記號呈一直線，請先再檢查一次垂直斜鋸角和角度指示器的 0° 設定。然後再重新調整一次垂直 45° 斜鋸角。

調整垂直方向的 45° 基本斜鋸角 (右側)

- 把電動工具調整在工作位置上。
- 將鋸台 (33) 轉至 0° 刻槽 (14)。必須可感覺到撥桿 (12) 卡入刻槽。
- 將右側活動式止動滑軌 (7) 拉至最外側。
- 鬆開緊固握把 (13)。
- 從把手 (3) 處將滑動臂從 0° 位置略微往左傾斜，轉動旋鈕 (32)，直到看見右側垂直斜鋸角範圍。

45°R

- 從把手 (3) 處將滑動臂往右翻轉到底 (45°)。

檢查 (請參考圖 T1)

- 請將量角規設為 135°，然後將它放置到鋸台 (33) 上。

量角規的柄部必須全長與鋸片 (34) 齊平。

調整 (請參考圖 T2)

- 用棘輪扳手 (8 mm) 旋入或旋出調整螺栓 (58)，讓量角規的柄部全長與鋸片齊平。
- 將旋轉固定鈕 (13) 重新扭緊。

調整後，若角度指示器 (28) 和 (21) 未與刻度尺 (27) 的 45° 記號呈一直線，請先再檢查一次垂直斜鋸角和角度指示器的 0° 設定。然後再重新調整一次垂直 45° 斜鋸角。

校準水平斜鋸角刻度尺

- 把電動工具調整在工作位置上。
- 將鋸台 (33) 轉至 0° 刻槽 (14)。必須可感覺到撥桿 (12) 卡入刻槽。

檢查 (請參考圖 U1)

- 請將量角規設為 90°，然後將它放置到止動滑軌 (8) 與鋸片 (34) 之間的鋸台 (33) 上。

量角規的柄部必須全長與鋸片 (34) 齊平。

調整 (請參考圖 U2)

- 用內六角扳手 (4 mm) (30) 將四顆調整螺栓 (59) 全部鬆開，轉動鋸台 (33) 及刻度尺 (31)，使量角規的柄部全長與鋸片齊平。
- 再度旋緊螺栓。

調整後，若角度指示器 (51) 未與刻度尺 (31) 的 0° 記號呈一直線，請用十字螺絲起子鬆開螺栓 (60)，將角度指示器對準 0° 記號。

調整緊固握把的夾力 (13) (請參考圖 V)

緊固握把 (13) 的夾力可再進行調整。

檢查

- 不管是設定在哪一個垂直斜鋸角上，緊固握把的夾緊力必須能夠緊緊地固定好滑動臂。

調整

- 鬆開緊固握把 (13)。
- 用套筒扳手 (17 mm) 沿逆時針方向旋轉調整螺栓 (61) 即可將夾力調弱，或沿順時針旋轉即可提高夾力。
- 調整垂直斜鋸角、重新旋緊緊固握把 (13)，並檢查夾力是否如您所需。

搬運 (請參考圖 W)

搬運電動工具之前必須先執行以下步驟：

- 將滑動臂 (23) 推到最後面，然後將它固定在這個位置上 (請參閱第 23 頁「鎖定滑動臂」)。
- 請確認：限深擋塊 (25) 是否已推到最裡面且移動滑動臂時校正螺栓 (24) 不會穿過開口碰觸到限深擋塊。
- 將滑動臂往下拉至，搬運固定裝置 (26) 能夠推至最內側的程度
- 將延伸架 (16) 往內推到底。
- 調整 0° 垂直斜鋸角並旋緊緊固握把 (13)。
- 將鋸台 (33) 往左轉到底，然後旋緊鎖定旋鈕 (11)。

- 用魔鬼氈帶 (62) 將電源線綁好。
- 拆除所有無法固定在電動工具上的配件。
- 搬運時必須儘可能把不使用的鋸片放置在密封盒子中。
- 提起電動工具，以便抓握鋸台側邊的把手凹槽 (17)。
- ▶ 搬運時僅可抓握搬運裝置，切勿從防護裝置、滑動臂 (23) 或把手提起電動工具 (3)。

維修和服務

保養與清潔

- ▶ 維修電動工具或換裝零、配件之前，務必從插座上拔出插頭。
- ▶ 電動工具和通風口都必須保持清潔，這樣才能夠提高工作品質和安全性。

如果必須更換連接線，請務必交由 **Bosch** 或者經授權的 **Bosch** 電動工具顧客服務執行，以避免危害機器的安全性能。

活動防護罩必須能夠自由來回擺動，並且要能夠自動關閉，所以防護罩的四周必須隨時保持清潔。

每次工作結束後都要使用壓縮空氣或軟刷清除機器上的灰塵和鋸屑。

- 定期清潔滑輪 (20) 和滑動臂 (23)。

配件

	產品機號
活動夾鉗	1 609 B06 203
嵌補板	1 609 B04 263 1 609 B04 264
集塵袋	1 609 B02 595
吸塵轉接頭	2 607 001 977
適用於以下型號： 3 601 M27 04./... 0L./... 08./... 0B./... 0K。	
適用於木材與木板、嵌板和木條的鋸片	
鋸片 254 x 25.4 mm，40 個鋸齒	2 608 676 047
適用於硬木、複合材料、塑膠及非鐵金屬的鋸片	
鋸片 254 x 25.4 mm，40 個鋸齒	2 608 640 969
鋸片 254 x 25.4 mm，40 個鋸齒	2 608 640 970
鋸片 254 x 25.4 mm，40 個鋸齒	2 608 640 971
適用於以下型號： 3 601 M27 00./... 03./... 07./... 06。	
適用於木材與木板、嵌板和木條的鋸片	
鋸片 254 x 30 mm，40 個鋸齒	2 608 642 530
適用於硬木、複合材料、塑膠及非鐵金屬的鋸片	
鋸片 254 x 30 mm，80 個鋸齒	2 608 642 528

顧客服務處和顧客諮詢中心

本公司顧客服務處負責回答有關本公司產品的維修、維護和備用零件的問題。以下的網頁中有分解圖和備用零件相關資料：www.bosch-pt.com

如果對本公司產品及其配件有任何疑問，博世應用諮詢小組很樂意為您提供協助。

當您需要諮詢或訂購備用零件時，請務必提供本產品型號銘牌上 10 位數的產品機號。

台灣

台灣羅伯特博世股份有限公司

建國北路一段90號6樓

台北市10491

電話: (02) 7734 2588

傳真: (02) 2516 1176

www.bosch-pt.com.tw

製造商地址:

Robert Bosch Power Tools GmbH

羅伯特·博世電動工具有限公司

70538 Stuttgart / GERMANY

70538 斯圖加特/德國

以下更多客戶服務處地址：

www.bosch-pt.com/serviceaddresses

廢棄物處理

必須以符合環保的方式，回收再利用損壞的機器、配件和廢棄的包裝材料。



不可以把電動工具丟入一般的家庭垃圾中。

한국어

안전 수칙

전동공구용 일반 안전수칙

⚠ 경고

본 전동공구와 함께 제공된 모든 안전경고, 지시사항, 그림 및 사양을 숙지하십시오. 다음의 지시 사항을 준수하지 않으면 감전, 화재, 또는 심각한 부상을 초래할 수 있습니다.

앞으로 참고할 수 있도록 이 안전수칙과 사용 설명서를 잘 보관하십시오.

다음에서 사용되는 "전동공구"라는 개념은 전원에 연결하여 사용하는 (전선이 있는) 전동 기기나 배터리를 사용하는 (전선이 없는) 전동 기기를 의미합니다.

작업장 안전

- ▶ 작업장을 항상 깨끗이 하고 조명을 밝게 하십시오. 작업장 환경이 어수선하거나 어두우면 사고를 초래할 수 있습니다.

- ▶ 가연성 유체, 가스 또는 분진이 있어 폭발 위험이 있는 환경에서 전동공구를 사용하지 마십시오. 전동공구는 분진이나 증기에 접하는 스파크를 일으킬 수 있습니다.
- ▶ 전동공구를 사용할 때 구경꾼이나 어린이 혹은 다른 사람이 작업장에 접근하지 못하게 하십시오. 다른 사람이 주의를 산만하게 하면 기기에 대한 통제력을 잃기 쉽습니다.

전기에 관한 안전

- ▶ 전동공구의 전원 플러그가 전원 콘센트에 잘 맞아야 합니다. 플러그를 절대 변경시켜서는 안 됩니다. (접지된) 전동공구를 사용할 때 어댑터 플러그를 사용하지 마십시오. 변형되지 않은 플러그와 잘 맞는 콘센트를 사용하면 감전의 위험을 줄일 수 있습니다.
- ▶ 파이프 관, 라디오케이블, 레인지, 냉장고와 같은 접지 표면에 몸이 닿지 않도록 하십시오. 몸에 닿을 경우 감전될 위험이 높습니다.
- ▶ 전동공구를 비에 맞지 않게 하고 습기 있는 곳에 두지 마십시오. 전동공구에 물이 들어가면 감전될 위험이 높습니다.
- ▶ 전원 코드를 잘못 사용하는 일이 없도록 하십시오. 전원 코드를 잡고 전동공구를 운반해서는 안 되며, 콘센트에서 전원 플러그를 뽑을 때 전원 코드를 잡아 당겨서는 절대로 안 됩니다. 전원 코드가 열과 오일에 접촉하는 것을 피하고, 날카로운 모서리나 기기의 가동 부위에 닿지 않도록 주의 하십시오. 손상되거나 영긴 전원 코드는 감전을 유발할 수 있습니다.
- ▶ 실외에서 전동공구로 작업할 때는 실외용으로 적당한 연장 전원 코드만을 사용하십시오. 실외용 연장 전원 코드를 사용하면 감전의 위험을 줄일 수 있습니다.
- ▶ 전동공구를 습기 찬 곳에서 사용해야 할 경우에는 누전 차단기를 사용하십시오. 누전 차단기를 사용하면 감전 위험을 줄일 수 있습니다.

사용자 안전

- ▶ 신중하게 작업하며, 전동공구를 사용할 때 경솔하게 행동하지 마십시오. 피로한 상태이거나 악물 복용 및 음주한 후에는 전동공구를 사용하지 마십시오. 전동공구를 사용할 때 잠시라도 주의가 산만해지면 충상을 입을 수 있습니다.
- ▶ 작업자 안전을 위한 장치를 사용하십시오. 항상 보안경을 착용하십시오. 전동공구의 종류와 사용에 따라 먼지 보호 마스크, 미끄러지지 않는 안전화, 안전모 또는 귀마개 등의 안전한 복장을 하면 상해의 위험을 줄일 수 있습니다.
- ▶ 실수로 기기가 작동되지 않도록 주의하십시오. 전동공구를 전원에 연결하거나 배터리를 끼우기 전에, 혹은 기기를 들거나 운반하기 전에, 전원 스위치가 꺼져 있는지 다시 확인하십시오. 전동공구를 운반할 때 전원 스위치가 손가락을 대거나 전원 스위치가 켜진 상태에서 전원을 연결하면 사고 위험이 높습니다.
- ▶ 전동공구를 사용하기 전에 조절하는 툴이나 키등을 빼 놓으십시오. 회전하는 부위에 있는 툴이나 키로 인해 상처를 입을 수 있습니다.

- ▶ 자신을 과신하지 마십시오. 불안정한 자세를 피하고 항상 평형을 이룬 상태로 작업하십시오. 안정된 자세와 평형한 상태로 작업해야만이 의외의 상황에서도 전동공구를 안전하게 사용할 수 있습니다.
- ▶ 알맞은 작업복을 입으십시오. 험령한 복장을 하거나 장신구를 착용하지 마십시오. 머리카락이 가동하는 기기 부위에 가까이 닿지 않도록 주의 하십시오. 험령한 복장, 장신구 혹은 긴 머리는 가동 부위에 말려 사고를 초래할 수 있습니다.
- ▶ 분진 추출장치나 수거장치의 조립이 가능한 경우, 이 장치가 연결되어 있는지, 제대로 작동이 되는지 확인하십시오. 이러한 분진 추출장치를 사용하면 분진으로 인한 사고 위험을 줄일 수 있습니다.
- ▶ 툴을 자주 사용한다고 해서 안주하는 일이 없게 하고 공구의 안전 수칙을 무시하지 않도록 하십시오. 부주의하게 취급하여 순간적으로 심각한 부상을 입을 수 있습니다.

전동공구의 올바른 사용과 취급

- ▶ 기기를 과부하 상태에서 사용하지 마십시오. 작업할 때 이에 적당한 전동공구를 사용하십시오. 알맞은 전동공구를 사용하면 지정된 성능 한도 내에서 더 효율적으로 안전하게 작업할 수 있습니다.
- ▶ 전원 스위치가 고장 난 전동공구를 사용하지 마십시오. 전원 스위치가 작동되지 않는 전동공구는 위험하므로, 반드시 수리를 해야 합니다.
- ▶ 전동공구를 조정하거나 액세서리 부품 교환 혹은 공구를 보관할 때, 항상 전원 콘센트에서 플러그를 미리 빼어 놓거나 배터리를 분리하십시오. 이러한 조치는 실수로 전동공구가 작동하게 되는 것을 예방합니다.
- ▶ 사용하지 않는 전동공구는 어린이 손이 닿지 않는 곳에 보관하고, 전동공구 사용에 익숙지 않거나 이 사용 설명서를 읽지 않은 사람은 기기를 사용해서는 안 됩니다. 경험이 없는 사람이 전동공구를 사용하면 위험합니다.
- ▶ 전동공구 및 액세서리를 조심스럽게 관리하십시오. 가동 부위가 하자 없이 정상적인 기능을 하는지, 걸리는 부위가 있는지, 혹은 전동공구의 기능에 중요한 부품이 손상되지 않았는지 확인하십시오. 손상된 기기의 부품은 전동공구를 다시 사용하기 전에 반드시 수리를 맡기십시오. 제대로 관리하지 않은 전동공구의 경우 많은 사고를 유발합니다.
- ▶ 절단 공구를 날카롭고 깨끗하게 관리하십시오. 날카로운 절단면이 있고 잘 관리된 절단공구는 걸리는 경우가 드물고 조절하기도 쉽습니다.
- ▶ 전동공구, 액세서리, 장착하는 공구 등을 사용할 때, 이 지시 사항과 특별히 기종 별로 나와있는 사용 방법을 준수하십시오. 이때 작업 조건과 실시하려는 작업 내용을 고려하십시오. 원래 사용 분야가 아닌 다른 작업에 전동공구를 사용할 경우 위험한 상황을 초래할 수 있습니다.
- ▶ 손잡이 및 잡는 면을 건조하게 유지하고, 오일 및 그리스가 묻어 있지 않도록 깨끗하게 하십시오.

손잡이 또는 잡는 면이 미끄러우면 예상치 못한 상황에서 안전한 취급 및 제어가 어려워집니다.

서비스

- ▶ **전동공구 수리는 반드시 전문 인력에게 맡기고, 수리 정비 시 보쉬 순정 부품만을 사용하십시오.** 그렇게 함으로써 기기의 안전성을 오래 유지할 수 있습니다.

마이터 톱에 대한 안전 경고사항

- ▶ **마이터 톱은 목재나 목재와 유사한 제품을 절단하는 데 사용하는 공구이기 때문에 바, 로드, 스테어 등 철 재질의 절단을 위한 연마 절단 휠과 함께 사용할 수 없습니다.** 연마 분진 때문에 하부 가드 등 움직이는 부분이 걸릴 수 있습니다. 연마 절단에서 발생하는 불꽃으로 하부 가드나 기타 플라스틱 부분이 탈 수 있습니다.
- ▶ **가능할 때는 언제나 클램프를 사용해 작업 재료를 지지하십시오.** 작업 재료를 손으로 지지할 때는 항상 손과 톱날 양쪽의 거리를 최소 100 mm 정도로 유지하십시오. 이 톱이 너무 작아 안정적으로 클램핑할 수 없거나 손으로 잡을 수 없는 작업 재료를 절단하는 데 사용하지 마십시오. 손이 톱날에 너무 가까우면 톱날에 닿아 부상을 당할 위험이 커집니다.
- ▶ **작업 재료는 클램프로 고정되거나 펜스와 테이블에 모두 고정되어야 합니다.** “손으로” 작업 재료를 절단하거나 톱날로 이송하지 마십시오. 통제되지 않거나 움직이는 작업 재료가 고속으로 튀어 부상을 당할 수 있습니다.
- ▶ **톱이 작업 재료를 관통하도록 미십시오.** 톱이 작업 재료를 관통하도록 잡아당기지 마십시오. 절단하려면, 톱 머리를 들어올리고 절단하지 않으면서 작업 재료 위로 톱 머리를 잡아당긴 다음 모터 시동을 걸고 톱 머리를 아래로 누르면서 작업 재료를 관통하도록 톱을 미십시오. 잡아당기는 스트로크에서 절단하면 톱날이 작업 재료 위로 올라가 톱날이 작업자 쪽으로 튀어 위험할 수 있습니다.
- ▶ **절대로 톱날 앞이나 뒤에서 절단선 위에 손을 교차시키지 마십시오.** “손을 교차시켜” 작업 재료를 지지하면 (예: 톱날의 오른쪽에서 왼손으로 작업 재료 고정 또는 그 반대) 매우 위험합니다.
- ▶ **톱날이 회전하는 동안 목재 부스러기 제거나 다른 이유로 톱날 양쪽으로부터 100 mm보다 가까운 거리에서 손을 펜스 뒤로 가져가지 마십시오.** 회전하는 톱날과 손이 가까우면 심각한 부상을 당할 수 있습니다.
- ▶ **절단하기 전에 작업 재료를 검사하십시오.** 작업 재료가 휘거나 뒤틀리면 표면이 펜스를 향해 바깥쪽으로 휨 상태로 클램핑하십시오. 항상 절단선을 따라 작업 재료, 펜스 및 테이블 사이에 간격이 없게 하십시오. 휘거나 뒤틀린 작업 재료는 비틀리거나 변형될 수 있고 절단하는 동안 회전하는 톱날에 걸릴 수 있습니다. 작업 재료에 못이나 이물질이 없어야 합니다.
- ▶ **톱을 사용하기 전에 테이블에서 작업 재료를 제외한 모든 공구, 목재 부스러기 등을 치우십시오.**

목재나 다른 물체의 작은 부스러기나 험거은 조각이 회전하는 톱날에 닿아 고속으로 될 수 있습니다.

- ▶ **한 번에 한 작업 재료만 절단하십시오.** 여러 작업 재료를 쌓으면 적절히 클램핑하거나 지지할 수 없어 절단 중에 톱날에 걸리거나 톱날이 움직일 수 있습니다.
- ▶ **사용 전에 마이터 톱을 단단하고 평평한 작업 표면에 놓으십시오.** 작업 표면이 단단하고 평평하면 마이터 톱이 불안정해질 위험이 감소합니다.
- ▶ **작업을 계획하십시오.** 베벨 또는 마이터 각도 세팅을 변경할 때마다 작업 재료를 지지할 수 있도록 조절식 펜스를 올바르게 세팅해야 하고 톱날이나 가이드 시스템을 방해하지 않아야 합니다. 공구를 켜지 않고 테이블에 작업 재료가 없는 상태에서 마이터 톱을 절단 시뮬레이션을 통해 움직여 펜스를 방해하거나 펜스를 절단할 위험이 없는지 확인하십시오.
- ▶ **작업 재료가 테이블 상단보다 넓거나 긴 경우 테이블 익스텐션이나 쇼울스 같은 적절한 지지대를 사용하십시오.** 마이터 톱 테이블보다 길거나 넓은 작업 재료를 안전하게 고정하지 않으면 기울어질 수 있습니다. 절단된 조각이나 작업 재료가 기울 경우 하부 가드를 들어 올리거나 회전하는 톱날에 의해 될 수 있습니다.
- ▶ **사람을 테이블 익스텐션의 내용물이나 추가 지지대로 이용하지 마십시오.** 작업 재료를 불안정하게 지지하면 절단 작업 중에 톱날이 걸리거나 작업 재료가 움직여 작업자와 조수를 회전하는 톱날로 끌어당길 수 있습니다.
- ▶ **절단된 조각이 회전하는 톱날에 걸리거나 눌릴 수 있습니다.** 길이 스톱퍼 등을 사용해 제한하면 절단된 조각이 톱날에 끼어 될 위험이 있습니다.
- ▶ **항상 로드나 튜브 같은 원형 재료를 적절히 지지하도록 고안된 클램프나 치공구를 사용하십시오.** 로드는 절단되는 동안 회전하는 경향이 있기 때문에 톱날이 “걸리고” 작업 재료와 작업자의 손이 톱날 쪽으로 당겨질 수 있습니다.
- ▶ **톱날을 작업 재료에 밀착하기 전에 톱날을 전속력으로 회전시키십시오.** 그러면 작업 재료가 될 위험이 감소합니다.
- ▶ **작업 재료나 톱날이 걸리면 마이터 톱을 끄십시오.** 모든 움직이는 부분이 멈출 때까지 기다리고 전원 플러그를 뽑거나 배터리 팩을 제거하십시오. 그런 다음 걸린 재료를 빼내십시오. 작업 재료가 걸린 상태로 계속 작업하면 제어력을 잃거나 마이터 톱이 손상될 수 있습니다.
- ▶ **절단이 끝난 후 스위치를 끌고 톱 머리를 아래로 누른 다음 톱날이 멈출 때까지 기다린 후 절단된 조각을 제거하십시오.** 관성 정지하고 있는 톱날 가까이에 손을 대면 위험합니다.
- ▶ **절단이 끝나지 않았거나 톱 머리가 완전히 아래 위치에 있기 전에 스위치를 끌었을 경우 손잡이를 단단히 잡으십시오.** 톱의 제동력으로 톱 머리가 갑자기 아래로 당겨져 부상을 당할 수 있습니다.

- ▶ **작업장을 청결하게 유지하십시오.** 자재가 혼합되면 특히 위험합니다. 경합금 분진은 연소 또는 폭발을 일으킬 수 있습니다.
- ▶ **절대로 무디거나 금이 간 톱날 혹은 휘거나 손상된 톱날을 사용하지 마십시오.** 무디거나 방향이 잘못된 톱날을 사용하면 톱 간격이 아주 좁아져 과도한 마찰, 톱날의 물림 혹은 반동을 유발하게 됩니다.
- ▶ **고합금 고속강(HSS)으로 된 톱날은 사용하지 마십시오.** 이런 톱날은 쉽게 부러질 수 있습니다.
- ▶ **항상 주축 구멍의 크기와 모양(다이아몬드형 또는 원형)이 맞는 톱날을 사용하십시오.** 톱날이 장착된 장비와 맞지 않으면 중심을 벗어난 상태로 작동되어 제어가 어려울 수 있습니다.
- ▶ **절대로 전동공구가 작동하는 동안 절단 부위에서 절단 나머지 조각이나 톱밥 등을 제거하지 마십시오.** 톱 암을 항상 중립 위치에 두고 나서 전동공구의 스위치를 끄십시오.
- ▶ **작업을 마치고 나서 톱날이 완전히 식은 후에 톱날을 만지십시오.** 톱날이 작업하는 동안 아주 뜨거워질 수 있습니다.

기호

다음에 나와있는 기호는 귀하의 전동공구를 사용하는데 중요할 수 있습니다. 그러므로 기호와 그 의미를 잘 기억해 두십시오. 기호를 제대로 이해하면 전동공구를 더욱 쉽고 안전하게 사용할 수 있습니다.

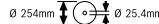
기호와 의미	
	전동공구가 작동하는 동안 손을 톱날 쪽으로 두지 마십시오. 톱날에 닿게 되면 상해 위험이 있습니다.
	분진 마스크를 착용하십시오.
	보안경을 착용하십시오.
	귀마개를 착용하십시오. 소음으로 인해 청각을 상실할 수 있습니다.
	위험 부위! 가능한 한 이 부위에 손과 손가락, 팔을 가까이 대지 마십시오.

기호와 의미



톱 암의 가동 부위 사이로 손을 대지 마십시오. 손가락이 끼여 중상을 입을 수 있습니다.

- 3 601 M27 04.** 톱날의 치수를 확인하십시오. 구멍의 직경은 톱 스피들에 정확히 맞아야 합니다. 리덕션 링 사용해야 하는 경우, 리덕션 링의 치수가 톱날 두께와 구멍의 직경, 톱 스피들의 직경에 맞는지 확인하십시오. 톱날과 함께 공급되는 리덕션 링을 최대한 활용하십시오.
- 3 601 M27 03.** 톱날 직경은 기호에 적혀 있는 내용과 일치해야 합니다.
- 3 601 M27 07.**



3 601 M27 00.

3 601 M27 03.

3 601 M27 06.

3 601 M27 07.



전동공구를 운반할 때 표시된 부위(홈 파인 잡는 부위)만 잡으십시오.



절대로 톱 암의 손잡이를 잡은 채 전동공구를 운반하지 마십시오.



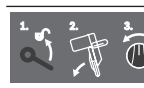
수직 마이터 각도의 경우에는 좌측 또는 우측 펜스 연장장치를 밀거나 혹은 전체를 제거해야 합니다.



고정 레버 열림:
수직 마이터 각도 조절이 가능합니다.



고정 레버 닫힘:
톱 암의 수직 마이터 각도가 유지됩니다.



수직 베벨 각도를 설정하는 방법을 단계적으로 표시합니다.

1. 고정 레버 풀기
2. 톱 암을 약간 왼쪽으로 젖히기
3. 노브로 원하는 수직 마이터 각도 범위 설정



노브로 원하는 수직 베벨 각도 범위 설정:

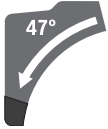


톱날이 왼쪽으로 기울어짐 (45° ... 0°)



톱날이 오른쪽으로 기울어짐 (0° ... 45°)

기호와 의미



툴 암의 전체 진폭 범위(-47° ... +47°)



다양한 수평 마이터 각도를 설정하려면 톱 테이블이 자유로이 움직일 수 있어야 하며, 마이터 각도 멈춤쇠 제어장치가 고정되어 있어야 합니다:

- 레버를 당긴 상태에서 ❶ 각도 고정 클램프의 앞쪽을 아래로 누릅니다 ❷.

제품 및 성능 설명



모든 안전 수칙과 지침을 숙지하십시오.
다음의 안전 수칙과 지침을 준수하지 않으면 화재 위험이 있으며 감전 혹은 중상을 입을 수 있습니다.

사용 설명서 앞 부분에 제시된 그림을 확인하십시오.

규정에 따른 사용

본 전동공구는 고정식 공구로, 목재를 직선으로 켜는 작업 및 절단하는 작업에 사용해야 합니다. 이때 수평 마이터 각도는 -52° ~ +60°이며, 수직 마이터 각도는 (좌측) 47°에서 (우측) 47°까지 가능합니다. 전동공구의 성능은 경목과 연목, 파티클 보드 및 섬유판을 절단하도록 설계되어 있습니다.

적합한 톱날을 사용하면 알루미늄 프로파일과 플라스틱을 절단할 수도 있습니다.

제품의 주요 명칭

제품의 주요 명칭에 표기되어 있는 번호는 기기 그림이 나와있는 면을 참고하십시오.

- (1) 먼지 백
- (2) 슬라이딩 장치의 잠금 레버
- (3) 손잡이
- (4) 전원 스위치용 시동 안전 잠금장치
- (5) 안전반
- (6) 하부 안전반
- (7) 위치 조절이 가능한 펜스
- (8) 펜스
- (9) 작업 표면 보호대
- (10) 각도 고정 클램프
- (11) 다양한 (수평) 마이터 각도를 위한 잠금 손잡이
- (12) (수평) 마이터 각도 설정용 레버
- (13) 다양한 (수직) 마이터 각도를 위한 고정 레버
- (14) (수평) 표준 마이터 각도 표시 홈

- (15) 조립용 구멍
- (16) 연장장치
- (17) 홈 파인 잡는 부위
- (18) 연장장치의 잠금 레버
- (19) 순간 고정 클램프
- (20) 롤러
- (21) 우측 (수직) 마이터 각도 범위(0°~47°)용 각도 표시기
- (22) 보호가드
- (23) 톱 암
- (24) 깊이 조절자의 조절 나사
- (25) 깊이 조절자
- (26) 운반 안전장치
- (27) (수직) 마이터 각도용 눈금
- (28) 좌측 (수직) 마이터 각도 범위(47°~0°)용 각도 표시기
- (29) (수직) 22.5° 마이터 각도용 조절 노브
- (30) 육각키(6 mm/4 mm)
- (31) (수평) 마이터 각도 눈금
- (32) (수직) 마이터 각도 범위 조절용 노브
- (33) 톱 테이블
- (34) 톱날
- (35) 공구 연동 어댑터
- (36) 톱밥 배출구
- (37) 하부 안전반의 막대 잠금 나사
- (38) 하부 안전반의 막대
- (39) 앞쪽 고정 나사 (커버 판/하부 안전반)
- (40) 뒤쪽 고정 나사 (커버 판/하부 안전반)
- (41) 커버 판
- (42) 스피들 잠금장치
- (43) 톱날 고정용 육각 볼트
- (44) 고정 플랜지
- (45) 내부 고정 플랜지
- (46) 위치 조절이 가능한 펜스의 잠금 나사
- (47) 제동장치
- (48) 제동용 세팅 나사들
- (49) 순간 고정 클램프용 구멍
- (50) 나사산 로드
- (51) (수평) 마이터 각도용 각도 표시기
- (52) 전원 스위치
- (53) 작업 표면 보호대용 볼트
- (54)/ (55)/ 사
- (56)
- (57) 기본 설정 45°(좌측 수직 마이터 각도)용 세팅 나사

- (58) 기본 설정 45°(우측 수직 마이터 각도)용 세팅 나사
- (59) (수평) 마이터 각도 눈금용 세팅 나사
- (60) (수평) 각도 표시기용 볼트

- (61) 다양한 (수직) 마이터 각도를 위한 고정 레버의 고정력 세팅 나사
- (62) 접착형 스트랩

제품 사양

각도 절단기		GCM 10 GDJ	GCM 10 GDJ
제품 번호		3 601 M27 04. 3 601 M27 0L. 3 601 M27 08. 3 601 M27 0B. 3 601 M27 0K.	3 601 M27 00. 3 601 M27 03. 3 601 M27 06. 3 601 M27 07.
소비 전력	W	2000	2000
무부하 속도	min ⁻¹	5000	5000
시동 전류 제한장치		●	●
EPTA-Procedure 01:2014에 따른 중량	kg	31.6	31.6
보호 등급		□/	□/
적당한 톱날의 크기			
톱날 직경	mm	254	254
톱날 두께	mm	1.7-2.6	1.7-2.6
최대 절단 폭	mm	3.2	3.2
구멍 직경	mm	25.4	30

자료는 정격 전압 [U] 230 V를 기준으로 한 것입니다. 전압이 다른 경우 및 국가별 사양에 따라 변동이 있을 수 있습니다.
작업물 허용 크기(최대/최소): (참조 „작업물 허용 크기“, 페이지 60)

조립

- ▶ **실수로 전동공구가 작동하지 않도록 주의하십시오. 조립을 하거나 전동공구에 모든 작업을 하기 전에 반드시 콘센트에서 전원 플러그를 빼 놓으십시오.**

공급 내역



이를 위해 설명서 초반에 제시된 공급 내역의 그림에 유의하십시오.

전동공구를 처음 사용하기 전에 먼저 아래에 열거된 부품이 모두 공급되었는지 확인해 보십시오:

- 톱날이 조립된 슬라이딩 각도 절단기 (34)
- 잠금 손잡이 (11)
- 고정 레버 (13), 고정 세트 포함
- 연장장치 (16) 및 클램핑 레버 (18), 고정 세트 포함
- 먼지 백 (1)
- 육각키 (30)
- 순간 고정 클램프 (19)

지침: 혹시 전동공구가 손상되지 않았는지 확인해 보십시오.

전동공구를 계속 사용하기 전에 보호장치나 경미하게 손상된 부품이 아무 하자 없이 제대로 기능을 하는지 조심스럽게 확인해 보아야 합니다. 또한 가동

부위가 하자 없이 정상적인 기능을 하는지, 걸리는 부위가 없는지 혹은 부품이 손상되지 않았는지 확인하십시오. 기기를 제대로 작동하려면 모든 부품이 올바르게 조립되어 있어야 하고 모든 조건을 만족해야 합니다.

손상된 보호장치나 부품은 지정 서비스 센터에 맡겨 수리하거나 교환하도록 해야 합니다.

공급 부품이외에 추가로 필요한 공구:

- 십자형 스크류 드라이버
- 라쳇 렌치(크기: 8 mm)
- 링 스패너, 양구 스패너, 소켓 스패너(크기: 10 mm 및 17 mm)

개별 부품 조립하기

- 모든 공급되는 부품을 조심스럽게 포장에서 꺼내십시오.
- 전동기기와 함께 공급되는 액세서리에서 포장재를 빼십시오.

잠금 손잡이 조립하기(그림 a 참조)

- 잠금 손잡이 (11) 를 레버 (12) 위쪽의 해당되는 구멍에 끼우십시오.

- ▶ **절단 작업을 하기 전에 항상 잠금 손잡이 (11) 를 꼭 조이십시오.** 그렇지 않으면 톱날이 작업물에 걸릴 수 있습니다.

다양한 (수직) 마이터 각도를 위한 고정 레버 장착하기(그림 a 참조)

고정 레버 (13) 장착을 위해 함께 배송된 고정 세트를 사용합니다(소켓 렌치, 너트, 2개의 와셔로 구성).

- 각각의 개별 부품을 표시된 순서에 따라(크기가 큰 와셔, 클램핑 손잡이, 크기가 작은 와셔, 너트 등) 전동공구 스테드 볼트 상에 끼우도록 합니다.
- 동력 전달을 보다 좋게 하기 위해서는 너트를 조일 때 함께 배송되어 있는 육각 소켓 렌치 (30)을 소켓 렌치 구멍을 통해 끼우십시오.
- 그런 다음 너트를 완전히 조입니다.

연장장치 조립하기(그림 b 참조)

연장장치 (16)의 장착을 위해서는 함께 배송된 고정 세트를 사용합니다(2개의 클램핑 레버 (18), 2개의 스프링 볼트, 2개의 널링 나사로 구성됨).

- 연장장치 (16)가 스톱 위치에 도달할 때까지 록테이블 (33)의 구멍 안으로 밀어줍니다.
- 널링 나사를 손으로 해당 구멍 안에 완전히 조입니다.
- 널링 나사 헤드 부분에 잠금 레버 (18)를 끼웁니다.
- 잠금 레버 (18)를 스프링 볼트로 고정시킵니다.
- 잠금 레버 (18)의 고정력을 더욱 높이기 위해 함께 배송되는 육각키 (30)로 스프링 볼트를 조입니다.

고정식 혹은 이동식 조립

▶ 안전한 작업을 하려면 전동공구를 사용하기 전에 먼저 작업대처럼 안정적이고 평평한 작업면 위에 조립해야 합니다.

작업대에 조립하기(그림 c1 참조)

- 전동공구를 적당한 고정 볼트를 사용하여 작업대에 고정하십시오. 이때 구멍 (15)을 사용하십시오.

또는

- 전동공구의 아래 부분을 시중에서 구매가 가능한 순간 고정 클램프를 사용하여 작업대에 고정하십시오.

보쉬 절단기 스탠드에 조립하기(그림 c2 참조)

(GTA 2500 W, GTA 3700, GTA 3800)

보쉬사의 GTA-절단기 스탠드를 사용하면 높이 조절이 가능한 발이 있어 전동공구를 각종 바닥면에 안정된 상태로 세울 수 있습니다. 절단기 스탠드의 작업물 받침대는 긴 작업을 작업 시 받쳐 줍니다.

▶ 절단기 스탠드에 첨부되어 있는 모든 경고 사항과 사용 설명서를 자세히 읽고 지켜야 합니다. 경고 사항과 사용 설명서를 준수하지 않으면 화재 위험이 있으며 감전 혹은 중상을 입을 수 있습니다.

▶ 전동공구를 조립하기 전에 절단기 스탠드를 제대로 세워야 합니다. 절단기 스탠드를 올바르게 세워야 쓰러질 위험이 줄어듭니다.

- 전동공구를 운반 시의 위치로 절단기 스탠드 위에 조립하십시오.

분진 및 톱밥 추출장치

납 성분을 포함한 페인트나 몇몇 나무 종류, 또는 광물 성분 그리고 철과 같은 재료의 분진은 건강을 해칠 수 있습니다. 이 분진을 만지거나 호흡할 경우, 사용자나 주변 사람들이 알레르기 반응이나 호흡기 장애를 일으킬 수 있습니다.

떡갈나무나 너도밤나무와 같은 특정한 분진은 암을 유발시키며, 특히 목재 처리용으로 사용되는 부가원료(크로마트, 목재 보호제)와 혼합되면 암을 유발시키게 됩니다. 석면 성분을 포함한 재료는 전문가만 작업할 수 있습니다.

- 가능하면 작업물 소재에 적당한 분진 추출장치를 사용하십시오.
- 작업장의 통풍이 잘 되도록 하십시오.
- 필터등급 P2가 장착된 호흡 마스크를 사용하십시오.

작업용 재료에 관해 국가가 지정한 규정을 고려하십시오.

▶ 작업장에 분진이 쌓이지 않도록 하십시오. 분진이 쉽게 발화할 수 있습니다.

분진 및 톱밥 추출장치가 분진, 톱밥 혹은 작업물의 파편으로 막힐 수 있습니다.

- 이러한 경우 전동공구의 스위치를 끄고 전원 콘센트에서 플러그를 빼십시오.
- 톱날이 완전히 정지할 때까지 기다리십시오.
- 막히게 된 원인을 찾아 해결하십시오.

자체 분진 처리(그림 d 참조)

톱밥을 손쉽게 모으기 위해서는 함께 공급되는 먼지백 (1)을 사용하십시오.

- 먼지 백 (1)을 공구 연동 어댑터 (35) 위로, 공구 연동 어댑터의 핀이 먼지 백의 파여진 부위에 끼워지도록 하여 돌리십시오.

절단 작업을 하는 동안 절대로 먼지 백이 기기의 가동하는 부위에 닿지 않도록 해야 합니다.

먼지 백을 적시에 비워 주십시오.

▶ 사용 후에는 항상 먼지 백을 비우고 깨끗이 유지하십시오.

▶ 화재 위험을 예방하기 위해 알루미늄을 절단할 경우 먼지 백을 빼내십시오.

외부 분진 처리

집진을 위해 공구 연동 어댑터 (35)에도 집진 호스(Ø mm)를 연결하십시오.

- 집진 호스를 공구 연동 어댑터 (35)에 연결하십시오.

진공 청소기는 작업하는 소재에 적당한 것이어야 합니다.

특히 건강에 유해한 발암성 혹은 건조한 분진을 처리해야 할 경우에는 특수한 청소기를 사용해야 합니다.

공구 연동 어댑터 청소하기

완벽한 집진 효과를 보장하려면 주기적으로 공구 연동 어댑터 (35)를 청소해야 합니다.

- 공구 연동 어댑터 (35) 를 톱밥 배출구 (36) 에서 돌려 빼내십시오.
- 작업물의 부스러기와 톱밥을 제거하십시오.
- 공구 연동 어댑터가 톱밥 배출구의 겉이에 끼워질 때까지 돌려며 눌러 톱밥 배출구에 다시 끼웁니다.

톱날 교환하기(그림 e1-e4 참조)

▶ 전동공구를 보수 정비하기 전에 반드시 콘센트에서 전원 플러그를 빼십시오.

▶ 톱날을 조립할 때 보호 장갑을 착용하십시오. 톱날에 닿게 되면 상해를 입을 수 있습니다.

반드시 허용되는 최고 RPM이 전동공구의 무부하 속도보다 높은 톱날만 사용해야 합니다.

이 사용 설명서에 나와있는 특성 자료에 부합하고 EN 847-1 기준에 따라 검증되었다는 것이 표시되어 있는 톱날만 사용하십시오.

본 전동공구는 제조사가 권장하는 작업 자재와 톱날만 사용하십시오. 이를 통해 톱니 과열 현상을 방지할 수 있습니다.

톱날 탈착하기

- 전동공구를 작업 위치로 둡니다.
- 잠금 나사 (37) 를 육각키(6 mm) (30) 를 사용해 풀면서 막대 (38) 가 느슨한 상태로 아래에 매달리게 합니다.
- 고정 나사 (39) 를 육각키(4 mm) (30) 로 (약 2 번 돌려) 풀니다.
- 나사를 완전히 빼지 마십시오.
- 고정 나사 (40) 를 육각키(4 mm) (30) 로 (약 6 번 돌려) 풀니다.
- 나사를 완전히 빼지 마십시오.
- 커버 판 (41) 을 고정 나사 (40) 에서 앞으로 당겨 아래로 빼십시오.
- 하부 안전반 (6) 을 뒤로 젖힌 후 이 위치에서 하부 안전반을 잡고 계십시오.
- 막대 (38) 를 고정 나사 (40) 위에 있는 구멍에 거십시오..
- 이렇게 하면 하부 안전반을 열린 상태로 유지할 수 있습니다.
- 육각 볼트 (43) 를 육각키(6 mm) (30) 로 돌리면서 스프링 잠금장치 (42) 가 맞물려 고정될 때까지 미십시오.
- 스프링 잠금장치 (42) 를 누른 상태에서 육각 볼트 (43) 를 시계 방향으로 돌려 빼내십시오(원나사!).
- 고정 플랜지 (44) 를 분리하십시오.
- 톱날 (34) 을 분리하십시오.

톱날 장착하기

▶ 톱날을 끼울 때 톱니의 절단 방향(톱날에 표시된 화살표 방향)이 안전반에 나와있는 화살표 방향과 일치해야 하는지 확인하십시오!

필요에 따라, 장착하기 전에 조립하려는 모든 부품을 깨끗이 닦으십시오.

- 새 톱날을 고정 플랜지 (45) 안쪽에 끼우십시오.

- 고정 플랜지 (44) 및 육각 볼트 (43) 를 끼우십시오. 스프링 잠금장치 (42) 가 맞물려 고정될 때까지 누른 다음, 육각 볼트를 시계 반대 방향으로 조이십시오.
- 고정 나사 (40) 에서 막대 (38) 를 풀고, 하부 안전반 (6) 을 다시 아래로 끼우십시오.
- 커버 플레이트 (41) 를 다시 고정 나사 (40) 아래쪽으로 미십시오.
- 고정 나사 (40) 및 (39) 를 다시 끼워 조입니다.
- 막대 (38) 를 원래 위치로 민 후 잠금 나사 (37) 를 육각키(6 mm) (30) 를 이용해 조이십시오.

작동

▶ 전동공구를 보수 정비하기 전에 반드시 콘센트에서 전원 플러그를 빼십시오.

운반 안전장치(그림 A 참조)

다른 장소에서 사용하기 위해 전동공구를 운반할 때 운반 안전장치 (26) 를 이용하여 수월하게 다룰 수 있습니다.

전동공구의 안전장치 풀기(작업 위치)

- 손잡이 (3) 에 있는 톱 암 (23) 을 아래쪽으로 눌러 운반 안전장치 (26) 를 푸십시오.
- 운반 안전장치 (26) 를 바깥쪽으로 끝까지 당기십시오.
- 톱 암 (23) 을 천천히 위로 올립니다.

전동공구 고정하기(운반 위치)

- 톱 암 (23) 을 완전히 뒤쪽으로 민 후 그 위치에서 고정시키십시오.
- 운반 안전장치 (26) 가 완전히 안쪽으로 들어갈 때까지 톱 암을 아래쪽으로 이동시키십시오.

기타 지침: 운반

톱 암 고정하기

톱 암 (23) 의 글라이딩 장치는 잠금 레버 (2) 로 고정할 수 있습니다. 이때 2가지의 톱 암 위치가 가능합니다:

- 톱 암을 완전히 뒤로 민 위치(절단 작업 시)
- 톱 암을 완전히 앞으로 당긴 위치(운송 시 위치)

톱 암 풀어주기(그림 B1 참조)

톱 암 (23) 을 풀어주면 글라이딩 장치를 완전히 사용할 수 있습니다.

- 잠금 레버 (2) 를 끝까지 아래로 누르십시오.
- 잠금 레버의 고정 홈은 톱 암의 양쪽 하부 연결 부위를 자유롭게 합니다.

톱 암 고정하기(그림 B2 참조)

톱 암을 완전히 뒤로 민 위치:

- 톱 암 (23) 을 뒤로 끝까지 밀니다.
- 이제 톱 암의 양쪽 상부 연결 부위가 수직으로 위치하며 잠긴 상태입니다.
- 고정 홈이 톱 암의 양쪽 하부 연결 부위 사이에 있게 될 때까지 잠금 레버 (2) 를 위로 당기십시오.

- 이렇게 하면 완전히 뒤로 밀려진 톨 암 (23) 이 고정됩니다.
- 톨 암을 완전히 앞으로 당긴 위치:
 - 톨 암 (23) 을 앞으로 끝까지 당깁니다.
 - 이제 글라이딩 장치가 완전히 나온 것입니다.
 - 고정 홈이 톨 암의 양쪽 하부 연결 부위 사이에 있게 될 때까지 잠금 레버 (2) 를 위로 당기십시오.
- 이렇게 하면 완전히 앞으로 당겨진 톨 암 (23) 이 고정됩니다.

작업 준비

톱 테이블 연장하기(그림 C 참조)

- 길쭉한 작업물의 경우 끝 부위를 받쳐 주어야 합니다.
- 톱 테이블 작업물 지지부의 경우 연장장치 (16) 를 사용해서 좌측 또는 우측으로 연장할 수 있습니다.
 - 잠금 레버 (18) 를 안쪽으로 젖히십시오.
 - 원하는 길이에 맞춰 연장장치 (16) 를 바깥쪽으로 당기십시오(최대 204 mm).
 - 연장장치를 고정하려면 잠금 레버 (18) 를 다시 바깥쪽으로 누릅니다.

펜스 이동하기(그림 D-E 참조)

수평 그리고/또는 수직 마이터 각도 절단 시 절단 방향에 따라 좌측 또는 우측으로 위치 조절이 가능한 펜스 (7) 를 바깥쪽으로 당기거나 또는 완전히 제거하십시오.

수직 마이터 각도 수평 마이터 각도

0°-47° (좌측)	≤ 44° (우측/좌측)	- 잠금 나사 (46) 를 푸십시오. - 좌측으로 위치 조절이 가능한 펜스 (7) 를 바깥쪽으로 끝까지 당기십시오.
0°-47° (좌측)	≥ 45° (우측/좌측)	- 잠금 나사 (46) 를 푸십시오. - 좌측으로 위치 조절이 가능한 펜스 (7) 를 바깥쪽으로 끝까지 당기십시오. - 위치 조절이 가능한 펜스를 위쪽으로 올려 빼내십시오. - 잠금 나사 (46) 를 제거하십시오.
0°-47° (우측)	≤ 44° (우측/좌측)	- 잠금 나사 (46) 를 푸십시오. - 우측으로 위치 조절이 가능한 펜스 (7) 를 바깥쪽으로 끝까지 당기십시오.
0°-47° (우측)	≥ 45° (우측/좌측)	- 우측으로 위치 조절이 가능한 펜스를 위쪽으로 올려 빼내십시오.

톨 암의 제동 조절하기(그림 F 참조)

톨 암 (23) 의 글라이딩 장치는 공장 출시 시 사전 설정되어 있으며, 전동공구 공급 시 제동되어 있지 않습니다.

글라이딩 장치의 제동을 제동장치 (47) 에서 개별적으로 조절할 수 있습니다:

- 하드 - 조심스러운 작업 동작,
- 소프트 - 신속한 절단작업.
- **소프트** 제동을 원하면 2개의 세팅 나사 (48) 를 육각키(4 mm) (30) 로 풀어 주거나
- 또는
- **하드** 제동을 원하면 2개의 세팅 나사 (48) 를 조이면 됩니다.

작업물 고정하기(그림 G 참조)

작업을 안전하게 실시하려면 작업물을 항상 단단히 고정해야 합니다.

크기가 너무 작아 고정하기 어려운 작업물에는 작업하지 마십시오.

- 작업물을 펜스 (8) 쪽으로 미십시오.
- 함께 공급된 순간 고정 클램프 (19) 를 이에 해당하는 구멍 (49) 중 하나에 끼웁니다.
- 나사산 로드 (50) 를 돌려 작업물을 제대로 고정하십시오.

수평 및 수직 마이터 각도 설정하기

정밀한 절단 작업을 하려면 전동공구를 집중적으로 사용하고 나서 그 기본 세팅 사항을 확인해 보고 필요에 따라 다시 설정해야 합니다.

이 경우 경험이 있어야 하고 해당하는 특수공구가 필요합니다.

보쉬 지정 서비스 센터에서 작업을 올바르게 신속하게 처리합니다.

- ▶ **절단 작업을 하기 전에 항상 잠금 손잡이 (11) 를 꼭 조이십시오.** 그렇지 않으면 톨날이 작업물에 걸릴 수 있습니다.

수평 마이터 각도 조절하기

수평 표준 마이터 각도 설정하기(그림 H 참조)

자주 사용하는 수평 마이터 각도를 신속하고 정확하게 설정하기 위해 톨 테이블에 각도 표시 홈 (14) 이 설정되어 있습니다:

좌측	우측
0°	
45°, 31.6°, 22.5°, 15°	15°, 22.5°, 31.6°, 45°, 60°

- 잠금 손잡이 (11) 가 조여져 있으면 이를 푸십시오.

- 레버 (12) 를 당겨 원하는 각도 표시 홈이 나올 때까지 톱 테이블 (33) 을 좌측 또는 우측으로 돌리십시오.
 - 레버에서 다시 손을 뗍니다. 이때 레버가 확실하게 표시 홈에 걸려야 합니다.
 - 잠금 손잡이 (11) 를 다시 조이십시오.
- 다양한 수평 마이터 각도 설정하기(그림 I 참조)**
수평의 마이터 각도는 (좌측) 52° ~ (우측) 60° 범위에서 조절할 수 있습니다.
- 잠금 손잡이 (11) 가 조여져 있으면 이를 푸십시오.
 - 레버 (12) 을 당긴 상태에서 각도 고정 클램프 (10) 의 앞쪽을 아래로 누릅니다. 이렇게 하면 레버 (12) 가 고정되어 톱 테이블을 자유로이 움직일 수 있습니다.
 - 톱 테이블 (33) 을 각도 표시기 (51) 에 원하는 마이터 각도가 보일 때까지 잠금 손잡이 좌우로 돌리십시오.
 - 잠금 손잡이 (11) 를 다시 조이십시오.
 - (수평 표준 마이터 각도를 맞추기 위해) 레버 (12) 를 다시 풀려면, 레버를 위로 당기십시오. 각도 고정 클램프 (10) 가 원래의 위치로 돌아가고, 레버 (12) 가 각도 표시 홈 (14) 에 다시 걸리게 됩니다.

수직 마이터 각도 조절하기

수직 마이터 각도는 (좌측) 47° ~ (우측) 47° 범위에서 조절할 수 있습니다.
자주 사용하는 마이터 각도를 신속하고 정확하게 설정하기 위해 각도 0°, 22.5°, 45° 및 47°의 스톱 위치가 미리 정해져 있습니다.

좌측 수직 마이터 각도 범위(45° ~ 0°) 조절하기

- 좌측으로 위치 조절이 가능한 펜스 (7) 를 바깥쪽으로 끝까지 당기십시오.
- 고정 레버 (13) 를 푸십시오.
- 손잡이 (23) (3) 에 있는 톱 암을 각도 표시기 (28) 원하는 수직 마이터 각도가 보일 때까지 왼쪽으로 돌리십시오.
- 톱 암 (23) 을 이 위치에 유지한 상태로 고정 레버 (13) 를 다시 조입니다. 고정 레버의 고정력은 다양한 수직 마이터 각도에서 톱 암의 위치를 안전하게 유지해야 합니다.

우측 수직 마이터 각도 범위(0°~45°) 조절하기(그림 J 참조)

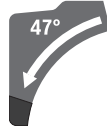
- 우측으로 위치 조절이 가능한 펜스 (7) 를 바깥쪽으로 끝까지 당기십시오.
- 고정 레버 (13) 를 푸십시오.
- 손잡이 (3) 에 있는 톱 암 (23) 을 0° 위치에서 약간 좌측으로 기울인 상태에서, 원하는 마이터 각도 범위가 보일 때까지 노브 (32) 를 돌립니다.

- 손잡이 (3) 에 있는 톱 암 (23) 을 각도 표시기 (21) 에서 원하는 마이터 각도가 보일 때까지 우측으로 돌리십시오.
- 톱 암 (23) 을 이 위치에 유지한 상태로 고정 레버 (13) 를 다시 조입니다. 고정 레버의 고정력은 다양한 수직 마이터 각도에서 톱 암의 위치를 안전하게 유지해야 합니다.

수직 표준 마이터 각도 0° 조절하기

- 수직 표준 마이터 각도 0°를 약간만 다시 조절할 수 있도록, 노브 (32) 를 좌측 수직 마이터 각도 영역으로 고정하여 끼우십시오.
- 톱 암 (23) 을 우측에서 0° 위치 위쪽으로 젖히십시오.

전체 수직 마이터 각도 범위(-47° ~ +47°) 조절하기



- 위치 조절이 가능한 양쪽 펜스 (7) 를 완전히 바깥쪽으로 당기십시오.
- 고정 레버 (13) 를 푸십시오.
- 손잡이 (3) 에 있는 톱 암 (23) 을 0° 위치에서 약간 좌측으로 기울인 상태에서, 원하는 마이터 각도 범위가 보일 때까지 노브 (32) 를 돌립니다.
- 각도 표시기 (28) 또는 (21) 에 원하는 수직 마이터 각도가 보일 때까지 손잡이 (3) 에 있는 톱 암 (23) 을 좌측 또는 우측으로 움직입니다.
- 톱 암 (23) 을 이 위치에 유지한 상태로 고정 레버 (13) 를 다시 조입니다. 고정 레버의 고정력은 다양한 수직 마이터 각도에서 톱 암의 위치를 안전하게 유지해야 합니다.

수직 표준 마이터 각도 22.5° 조절하기(그림 K 참조)

노브 (29) 를 완전히 바깥쪽으로 당긴 후 90° 정도 회전시키십시오. 그리고 나서 손잡이 (3) 에 있는 톱 암 (23) 이 맞물려 고정되는 소리가 들릴 때까지 젖히십시오.

기계 시동

전원 켜기(그림 L 참조)

- 전동공구의 전원을 켜려면 먼저 시동 안전 잠금 장치 (4) 를 중앙으로 민 다음 전원 스위치 (52) 를 누른 후 누른 상태를 계속 유지하십시오.

지침: 작업 안전상의 이유로 전원 스위치 (52) 를 고정할 수 없으므로, 작동 중에 이를 계속 누르고 있어야 합니다.

전원 끄기

- 전원을 끄려면 전원 스위치 (52) 에서 손을 떼십시오.

시동 전류 제한장치

전자식 시동 전류 제한장치는 전동공구의 스위치를 켤 때 그 성능을 제한하여, 16 A 퓨즈를 사용하면 충분합니다.

지침: 전동공구의 스위치를 켤 때 즉시 최고 속도로 작동하면 시동 전류 제한장치가 고장입니다. 전동공구를 즉시 서비스 센터에 보내십시오. 주소: AS 센터 및 사용 문의.

사용방법

절단기에 관한 일반 사항

- ▶ 절단 작업을 하기 전에 항상 잠금 손잡이 (11) 및 고정 레버 (13) 를 꼭 조이십시오. 그렇지 않으면 톱날이 작업물에 걸릴 수 있습니다.
- ▶ 절단 작업을 하기 전에 항상 잠금 손잡이 (11) 및 잠금 레버 를 꼭 조이십시오. 그렇지 않으면 톱날이 작업물에 걸릴 수 있습니다.
- ▶ 절단 작업을 할 때 항상 톱날이 펜스, 순간 고정 클램프 혹은 기기의 다른 부위에 닿지 않도록 항상 주의해야 합니다. 경우에 따라 조립된 보조 스토퍼를 제거하거나 조정하십시오.

톱날에 충격을 주거나 힘을 가하지 마십시오. 측면에서 톱날에 압력을 가하지 마십시오.

규정에 따른 사용에 나와있는 작업 소재에만 사용하십시오.

휘어진 작업물에 작업하지 마십시오. 반드시 작업물은 펜스에 닿을 수 있도록 직선의 모서리가 있어야 합니다.

길고 무거운 작업물에 작업할 경우, 과적되지 않은 끝부분의 아래쪽을 받쳐 주어야 합니다.

하부 안전반이 제대로 작동하는지 그리고 자유로이 움직이는지 확인해 보십시오. 톱 암을 아래쪽으로 기울 때, 하부 안전반이 열려야 합니다. 톱 암을 위쪽으로 기울 때, 하부 안전반이 톱날 위쪽에서 다시 닫히고 톱 암의 최상단 위치에 고정되어야 합니다.

작업자의 위치(그림 M 참조)

- ▶ 톱날과 일직선으로 전동공구 앞쪽에 서지 말고, 항상 톱날에 비스듬히 옆으로 서십시오. 이렇게 하면 반동이 생길 경우에 대비하여 안전합니다.
- 손, 손가락, 팔을 회전하는 톱날 가까이에 두지 마십시오.
- 톱 암 앞에서 손을 교차시키지 마십시오.

작업 표면 보호대 교환하기(그림 P 참조)

전동공구를 장기간 사용하면 적색 작업 표면 보호대 (9) 가 마모될 수 있습니다.

손상된 작업 표면 보호대를 교환하십시오.

- 전동공구를 작업 위치로 둡니다.
- 나사 (53) 를 육각키(4 mm) (30) 로 풀고 나서 오래된 작업 표면 보호대를 빼내십시오.
- 새로운 오른쪽 작업 표면 보호대를 끼웁니다.
- 작업 표면 보호대는 볼트 (53) 를 이용해 최대한 우측으로 체결하여 움직일 수 있는 전체 길이에 서 톱날이 작업 표면 보호대에 닿지 않게 하십시오.

- 새로운 왼쪽 작업 표면 보호대도 마찬가지로 방법으로 교환하십시오.

작업물 허용 크기

최대 작업물 크기:

수평 마이터 각도	수직 마이터 각도	높이 x 폭 [mm]
0°	0°	80 x 306
45°	0°	80 x 216
0°	45° (좌측)	54 x 296
0°	45° (우측)	30 x 296
45°	45° (좌측)	54 x 208
45°	45° (우측)	30 x 208

최소 작업물 (= 함께 공급된 순간 고정 클램프 (19) 를 이용해 톱날의 좌측 또는 우측에 고정할 수 있는 모든 작업물): 145 x 306 mm (길이 x 폭)

최대 절단 깊이(0°/0°): 100 mm

톱 작업

측면 이동 없이 톱질하기(절단하기)(그림 N 참조)

- 톱 암 (23) 을 완전히 뒤쪽으로 민 후 그 위치에서 고정시키십시오.
- 깊이 조절자 (25) 가 완전히 안쪽 끝까지 들어가지 있는지, 톱 암을 움직일 때 조정 나사 (24) 가 깊이 조절자에 닿지 않고 파인 곳 안으로 관통하여 잘 맞는지 확인해 보십시오.
- 작업물을 크기에 맞게 고정하십시오.
- 필요에 따라 원하는 각도(수평 그리고/또는 수직)로 조절하십시오.
- 전동공구의 스위치를 켜십시오.
- 손잡이 (3) 를 이용하여 톱 암 (23) 을 서서히 아래쪽으로 움직입니다.
- 일정한 속도로 작업물에 절단작업을 하십시오.
- 전동공구의 스위치를 끄고 나서 톱날이 완전히 정지할 때까지 기다립니다.
- 톱 암 (23) 을 천천히 위로 올립니다.

측면 이동을 이용한 톱 작업(그림 O 참조)

- ▶ 스위치를 켜기 전에 그리고 절단작업 중 내내 손잡이를 꼭 잡고 계십시오. 톱 암을 조심스러운 동작으로 움직여 절단작업을 실시하십시오. 잠시라도 주의를 기울이지 않으면 극도로 가볍게 움직이는 톱 암으로 인해 중상을 입을 수 있습니다.
- 톱 암 (23) 을 풀어주십시오.
- 톱 암 (23) 을 당기고 밀어주면서 글라이딩 장치가 완벽하게 작동하는지 확인해 보십시오.
- 작업물을 크기에 맞게 고정하십시오.
- 필요에 따라 원하는 각도(수평 그리고/또는 수직)로 조절하십시오.
- 톱날이 작업물 앞에 있을 때까지 손잡이 (3) 를 이용하여 톱 암 (23) 을 펜스 (8) 에서 멀리 당기십시오.
- 전동공구의 스위치를 켜십시오.
- 손잡이 (3) 를 이용하여 톱 암 (23) 을 서서히 아래쪽으로 움직입니다.

- 이제 톨 암 (23) 을 펜스 (8) 방향으로 누르고 균 일한 이송 속도로 가공물을 절단하십시오.
- 전동공구의 스위치를 끄고 나서 톨날이 완전히 정지할 때까지 기다립니다.
- 톨 암 (23) 을 천천히 위로 올립니다.

깊이 조절자 조절하기(홈 절단하기)(그림 Q 참조)
홈파기 작업을 하거나 스페이서를 사용하고자 할 때 깊이를 조절자를 조절해야 합니다.

- 깊이 조절자 (25) 를 바깥쪽으로 젖히십시오.
- 손잡이 (3) 에서 톨 암 (23) 을 원하는 위치로 움직이십시오.
- 나사 끝부위가 깊이 조절자 (25) 에 닿을 때까지 조정 나사 (24) 를 돌립니다.
- 톨 암 (23) 을 천천히 위로 올립니다.

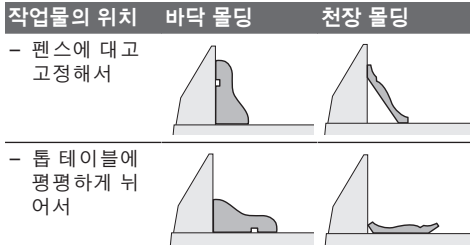
특수한 작업물

휘어지거나 둥근 형태의 작업물을 절단할 경우 특히 미끄러지지 않도록 주의해야 합니다. 절단선에 작업물, 펜스 그리고 톨 테이블 사이에 조금의 틈도 있어서는 안 됩니다.

필요에 따라 특수한 고정대를 만들어야 합니다.

프로파일 몰딩 작업하기

프로파일 몰딩은 두 가지 방법으로 작업할 수 있습니다:



또한 프로파일 몰딩의 너비에 따라 측면 이동을 하거나 하지 않으면서 절단할 수 있습니다. (수평 그리고/또는 수직) 마이터 각도를 설정하고 나서 우선 쓸모 없는 목재에 시험해 보십시오.

기본 세팅 확인 및 조절하기

정밀한 절단 작업을 하려면 전동공구를 집중적으로 사용하고 나서 그 기본 세팅 사항을 확인해 보고 필요에 따라 다시 설정해야 합니다. 이 경우 경험이 있어야 하고 해당하는 특수공구가 필요합니다. 보쉬 지정 서비스 센터에서 작업을 올바르게 신속하게 처리합니다.

수직 표준 마이터 각도 0° 조절하기

- 전동공구를 운반할 때의 위치로 놓습니다.
- 0° 각도 표시 홈 (14) 이 나올 때까지 톨 테이블 (33) 을 좌측 또는 우측으로 돌리십시오. 이때 레버 (12) 가 확실히 표시 홈에 걸려야 합니다.

확인하기(그림 R1 참조)

- 각도 게이지를 90° 에 맞추고, 톨 테이블 (33) 상에 놓습니다.

각도 게이지의 암이 전체 길이에 걸쳐 톨날 (34) 과 정확히 맞아야 합니다.

조절하기(그림 R2 참조)

- 고정 레버 (13) 를 푸십시오.
- 양쪽 세팅 나사 (54) 를 소켓 스페너(10 mm)로 (최소 1바퀴 이상 돌려) 풀어줍니다.
- 세팅 나사 (56) 를 육각키(4 mm) (30) 로 (약 3번 돌려) 풀니다.
- 각도기 끝면이 톨날과 전체 구간에서 일직선상에 놓일 때까지 세팅 나사 (55) 를 육각키(4 mm) (30) 로 조이거나 혹은 풀어줍니다.
- 고정 레버 (13) 를 다시 당겨 고정시킵니다. 그런 다음 먼저 세팅 나사 (56) 를 조인 후 세팅 나사 (54) 도 다시 조입니다.

각도 표시기 (28) 및 (21) 가 조절 후에도 눈금 (27) 의 0° 표시와 일치하지 않을 경우, 각도 표시기의 고정 나사들을 십자형 스크류 드라이버로 풀고 나서 각도 표시기를 0° 표시대로 맞추십시오.

수직 표준 마이터 각도 (좌측) 45° 조절하기

- 전동공구를 작업 위치로 둡니다.
- 0° 각도 표시 홈 (14) 이 나올 때까지 톨 테이블 (33) 을 좌측 또는 우측으로 돌리십시오. 이때 레버 (12) 가 확실히 표시 홈에 걸려야 합니다.
- 좌측으로 위치 조절이 가능한 펜스 (7) 를 바깥쪽으로 끝까지 당기십시오.
- 고정 레버 (13) 를 풀고, 손잡이 (3) 에 있는 톨 암을 왼쪽으로 끝까지 움직이십시오(45°).

확인하기(그림 S1 참조)

- 각도 게이지를 45° 에 맞추고, 톨 테이블 (33) 상에 놓습니다.

각도 게이지의 암이 전체 길이에 걸쳐 톨날 (34) 과 정확히 맞아야 합니다.

조절하기(그림 S2 참조)

- 각도기 끝면이 톨날과 전체 구간에서 일직선상에 놓일 때까지 세팅 나사 (57) 를 양구 스페너(8 mm)로 조이거나 혹은 풀어줍니다.
 - 고정 레버 (13) 를 다시 당겨 고정시킵니다.
- 각도 표시기 (28) 및 (21) 가 조절 후에도 눈금 (27) 의 45° 표시와 일치하지 않을 경우, 우선 마이터 각도와 각도 표시기의 0° 설정이 제대로 되었는지 확인해 보십시오. 그리고 나서 45° 수직 마이터 각도의 조절을 반복하십시오.

수직 표준 마이터 각도 (우측) 45° 조절하기

- 전동공구를 작업 위치로 둡니다.
- 0° 각도 표시 홈 (14) 이 나올 때까지 톨 테이블 (33) 을 좌측 또는 우측으로 돌리십시오. 이때 레버 (12) 가 확실히 표시 홈에 걸려야 합니다.
- 우측으로 위치 조절이 가능한 펜스 (7) 를 바깥쪽으로 끝까지 당기십시오.
- 고정 레버 (13) 를 푸십시오.

손잡이 (3) 에 있는 톨 암을 0° 위치에서 약 45°R 좌측으로 기울인 상태에서, 우측 수직 마이터 각도 범위가 보일 때까지 노브 (32) 를 돌립니다.

- 손잡이 (3) 에 있는 톨 암을 오른쪽으로 끝까지 돌리십시오(45°).

확인하기(그림 T1 참조)

- 각도 게이지를 135° 에 맞추고, 톨 테이블 (33) 상에 놓습니다.

각도 게이지의 암이 전체 길이에 걸쳐 톨날 (34) 과 정확히 맞아야 합니다.

조절하기(그림 T2 참조)

- 각도가 끝면이 톨날과 전체 구간에서 일직선상에 놓일 때까지 세팅 나사 (58) 를 양구 스페너(8 mm)로 조이거나 혹은 풀어 줍니다.

- 고정 레버 (13) 를 다시 당겨 고정시킵니다.

각도 표시기 (28) 및 (21) 가 조절 후에도 눈금 (27) 의 45° 표시와 일치하지 않을 경우, 우선 마이터 각도와 각도 표시기의 0° 설정이 제대로 되었는지 확인해 보십시오. 그리고 나서 45° 수직 마이터 각도의 조절을 반복하십시오.

수평의 마이터 각도용 눈금 맞추기

- 전동공구를 작업 위치로 둡니다.
- 0° 각도 표시 홈 (14) 이 나올 때까지 톨 테이블 (33) 을 좌측 또는 우측으로 돌리십시오. 이때 레버 (12) 가 확실히 표시 홈에 걸려야 합니다.

확인하기(그림 U1 참조)

- 각도 게이지를 90° 에 맞추고, 펜스 (8) 와 톨날 (34) 사이의 톨 테이블 (33) 상에 놓습니다.

각도 게이지의 암이 전체 길이에 걸쳐 톨날 (34) 과 정확히 맞아야 합니다.

조절하기(그림 U2 참조)

- 육각키(4 mm)를 이용하여 4개의 세팅 나사 (59) (30) 를 모두 풀고, 톨 테이블 (33) 을 눈금 (31) 을 이용하여 각도 게이지의 암이 전 길이에 걸쳐 톨날과 일치할 때까지 돌려줍니다.

- 볼트를 다시 꼭 조입니다.

조정 후 각도 표시기 (51) 가 눈금 (31) 의 0° 표시와 일치하지 않을 경우, 십자 스크류 드라이버를 이용하여 나사 (60) 를 풀고 각도 표시기를 0° 표시에 맞춰 정렬하십시오.

고정 레버 (13) 의 고정력 조절하기(그림 V 참조)

고정 레버 (13) 의 고정력은 재조절이 가능합니다.

확인하기

- 고정 레버의 고정력은 다양한 수직 마이터 각도에서 톨 암의 위치를 안전하게 유지해야 합니다.

조절하기

- 고정 레버 (13) 를 푸십시오.
- 고정력을 줄이려면 세팅 나사 (61) 를 소켓 스패너(17 mm) 로 시계 반대 방향으로 돌리고, 고정력을 높이려면 시계 방향으로 돌리십시오.

- 수직의 마이터 각도를 맞추고 고정 레버 (13) 를 다시 조이고 난 후, 원하는 고정력으로 되었는지 확인해 보십시오.

운반(그림 W 참조)

전동공구를 운반하기 전에 다음의 조치를 취해야 합니다:

- 톨 암 (23) 을 맨 뒤쪽으로 민 후 그 위치에서 고정시키십시오 ("톨 암 고정하기", 23페이지).

- 깊이 조절자 (25) 가 완전히 안쪽 끝까지 들어가지 있는지, 톨 암을 움직일 때 조정 나사 (24) 가 깊이 조절자에 닿지 않고 파인 곳 안으로 관통하여 잘 맞는지 확인해 보십시오.

- 운반 안전장치 (26) 가 안쪽 끝까지 들어갈 때까지 톨 암을 아래쪽으로 이동시키십시오.

- 연장장치 (16) 를 안쪽으로 완전히 밀어 넣습니다.

- 수직의 마이터 각도를 0°로 맞추고 고정 레버 (13) 를 조이십시오.

- 톨 테이블 (33) 을 왼쪽으로 끝까지 돌리고 나서 잠금 손잡이 (11) 를 조이십시오.

- 접착형 스트랩 (62) 를 이용하여 전원 케이블을 묶어 두십시오.

- 전동공구에 고정되어 있지 않은 모든 액세서리 부품을 빼십시오.

- 사용하지 않는 톨날들은 운반할 때 가능하면 케이스에 넣어 잠가 두십시오.

- 톨 테이블 측면의 홈 파인 잡는 부위 (17) 를 잡고 전동공구를 운반하십시오.

▶ 전동공구를 운반할 때는 운반용 장치만 사용해야 하며, 어떠한 경우에도 보호 장치, 톨 암 (23) 또는 손잡이 (3) 를 사용하지 마십시오.

보수 정비 및 서비스

보수 정비 및 유지

- ▶ 전동공구를 보수 정비하기 전에 반드시 콘센트에서 전원 플러그를 빼십시오.

- ▶ 안전하고 올바른 작동을 위하여 전동공구와 전동공구의 통풍구를 항상 깨끗이 하십시오.

연결 코드를 교환해야 할 경우 안전을 기하기 위해 Bosch 또는 Bosch 지정 전동공구 서비스 센터에 맡겨야 합니다.

하부 안전반은 항상 자유로이 움직이고 저절로 닫힐 수 있어야 합니다. 그렇기 때문에 하부 안전반 주위를 항상 깨끗이 해야 합니다.

매번 작업을 마치고 나서 분진과 톨밥을 압력 공기로 불어 내거나 브리시를 사용하여 제거하십시오.

- 롤러 (20) 및 톨 암 (23) 을 정기적으로 닦아 주십시오.

별매 액세서리

	제품 번호
순간 고정 클램프	1 609 B06 203
작업 표면 보호대	1 609 B04 263 1 609 B04 264
먼지 백	1 609 B02 595
공구 연동 어댑터	2 607 001 977

적용되는 타입:

3 601 M27 04./... 0L./... 08./... 0B./... 0K.

목재, 판 소재 및 패널용 톨날

제품 번호	
톱날 254 x 25.4 mm, 40개 톱 니	2 608 676 047
경목, 복합 재료, 플라스틱 및 비철금속용 톱날	
톱날 254 x 25.4 mm, 40개 톱 니	2 608 640 969
톱날 254 x 25.4 mm, 40개 톱 니	2 608 640 970
톱날 254 x 25.4 mm, 40개 톱 니	2 608 640 971
적용되는 타입: 3 601 M27 00./... 03./... 07./... 06.	
목재, 판 소재 및 패널용 톱날	
톱날 254 x 30 mm, 40개 톱 니	2 608 642 530
경목, 복합 재료, 플라스틱 및 비철금속용 톱날	
톱날 254 x 30 mm, 80개 톱 니	2 608 642 528

AS 센터 및 사용 문의

AS 센터에서는 귀하 제품의 수리 및 보수정비, 그리고 부품에 관한 문의를 받고 있습니다. 대체 부품에 관한 분해 조립도 및 정보는 인터넷에서도 찾아볼 수 있습니다 - www.bosch-pt.com
보수 사용 문의 팀에서는 보수의 제품 및 해당 액세서리에 관한 질문에 기꺼이 답변 드릴 것입니다. 문의나 대체 부품 주문 시에는 반드시 제품 네임 플레이트에 있는 10자리의 부품번호를 알려 주십시오.
클센터
080-955-0909
다른 AS 센터 주소는 아래 사이트에서 확인할 수 있습니다:
www.bosch-pt.com/serviceaddresses

처리

기기와 액세서리 및 포장 등은 환경 친화적인 방법으로 재활용 할 수 있도록 분류하십시오.



전 동공구를 가정용 쓰레기로 처리하지 마십시오!

ไทย

คำเตือนเพื่อความปลอดภัย

คำเตือนเพื่อความปลอดภัยทั่วไปในการใช้เครื่องมือไฟฟ้า

คำเตือน อ่านคำเตือนเพื่อความปลอดภัย คำแนะนำ ภาพประกอบ และข้อมูล

จำเพาะทั้งหมดที่จัดส่งมาพร้อมกับเครื่องมือไฟฟ้า การไม่ปฏิบัติตามคำแนะนำทั้งหมดที่ระบุไว้ด้านล่างนี้อาจทำให้ถูกไฟฟ้าดูด เกิดไฟไหม้ และ/หรือได้รับบาดเจ็บอย่างร้ายแรง

เก็บรักษาคำเตือนและคำสั่งทั้งหมดสำหรับเปิดอ่านในภายหลัง

คำว่า "เครื่องมือไฟฟ้า" ในคำเตือนหมายถึง เครื่องมือไฟฟ้าของท่านที่ทำงานด้วยพลังงานไฟฟ้าจากแหล่งจ่ายไฟหลัก (มีสายไฟฟ้า) และเครื่องมือไฟฟ้าที่ทำงานด้วยพลังงานไฟฟ้าจากแบตเตอรี่ (ไร้สาย)

ความปลอดภัยในสถานที่ทำงาน

- ▶ **รักษาสถานที่ทำงานให้สะอาดและมีไฟส่องสว่างดี**
สถานที่ที่มีมืดหรืออับทึบหรืออับทึบ
- ▶ **อย่าใช้เครื่องมือไฟฟ้าทำงานในสภาพบรรยากาศที่จุดติดไฟได้ เช่น ในที่ที่มีของเหลวไวไฟ ก๊าซ หรือฝุ่น**
เมื่อใช้เครื่องมือไฟฟ้าจะเกิดประกายไฟซึ่งอาจจุดฝุ่นหรือไอให้ลุกไหม้ได้
- ▶ **ขณะใช้เครื่องมือไฟฟ้าทำงาน ต้องกันเด็กและผู้ยืนดูให้ออกห่าง**
การหันเหความสนใจอาจทำให้ท่านขาดการควบคุมเครื่องมือ

ความปลอดภัยเกี่ยวกับไฟฟ้า

- ▶ **ปลั๊กของเครื่องมือไฟฟ้าต้องเหมาะสมพอดีกับเต้าเสียบ**
อย่าตัดแปลงปลั๊กไม่ว่าในลักษณะใดๆ อย่างเด็ดขาด
อย่าใช้ปลั๊กพ่วงต่อใดๆ กับเครื่องมือไฟฟ้าที่มีสายดิน
ปลั๊กที่ไม่ตัดแปลงและเต้าเสียบที่เข้ากันช่วยลดความเสี่ยงจากการถูกไฟฟ้าดูด
- ▶ **หลีกเลี่ยงอย่าให้ร่างกายสัมผัสกับพื้นผิวที่ต่อสายดินหรือลงกราวด์ไว้ เช่น ห่อ เครื่องทำความร้อน เต้า และตู้เย็น**
จะเสี่ยงอันตรายจากการถูกไฟฟ้าดูดมากขึ้นหากกระแสไฟฟ้าวิ่งผ่านร่างกายของท่านลงดิน

- ▶ **อย่าให้เครื่องมือไฟฟ้าถูกฝนหรืออยู่ในสภาพเปียกชื้น** หากน้ำเข้าไปในเครื่องมือไฟฟ้า จะเพิ่มความเสี่ยงจากการถูกไฟฟ้าดูด
- ▶ **อย่าใช้สายไฟฟ้าในทางที่ผิด** อย่าใช้สายไฟฟ้าเพื่อยก ดึง หรือถอดปลั๊กเครื่องมือไฟฟ้า กันสายไฟฟ้าออกจากความร้อน น้ำมัน ขอบแหลมคม หรือชิ้นส่วนที่เคลื่อนที่ สายไฟฟ้าที่ชำรุดหรือพันกันยุ่งเพิ่มความเสี่ยงจากการถูกไฟฟ้าดูด
- ▶ **เมื่อใช้เครื่องมือไฟฟ้าทางานกลางแจ้ง ให้ใช้สายไฟ** ต่อที่เหมาะสมสำหรับการใช้งานกลางแจ้ง การใช้สายไฟต่อที่เหมาะสมสำหรับงานกลางแจ้ง ช่วยลดอันตรายจากการถูกไฟฟ้าดูด
- ▶ **หากไม่สามารถหลีกเลี่ยงการใช้เครื่องมือไฟฟ้าทำงาน** ในสถานที่เปียกชื้นได้ ให้ใช้สวิตช์ตัดวงจรเมื่อเกิดการรั่วไหลของไฟฟ้าจากสายดิน (RCD) การใช้สวิตช์ตัดวงจรเมื่อเกิดการรั่วไหลของไฟฟ้าจากสายดินช่วยลดความเสี่ยงต่อการถูกไฟฟ้าดูด

ความปลอดภัยของบุคคล

- ▶ **ท่านต้องอยู่ในสภาพเตรียมพร้อม ระวังระดับแรงในสิ่งที่** ท่านกำลังทำอยู่ และมีสติขณะใช้เครื่องมือไฟฟ้าทำงาน **อย่าใช้เครื่องมือไฟฟ้าขณะที่ท่านกำลังเหนื่อย หรืออยู่** ภายใต้การครอบงำของฤทธิ์ของยาเสพติด แอลกอฮอล์ และยา เมื่อใช้เครื่องมือไฟฟ้าทำงาน ในขั้นงานที่ท่านขาดความเอาใจใส่อาจทำให้บุคคลบาดเจ็บอย่างรุนแรงได้
- ▶ **ใช้อุปกรณ์ปกป้องร่างกาย สวมแว่นตาป้องกันเสมอ** อุปกรณ์ปกป้อง เช่น หน้ากากกันฝุ่น รองเท้านิรภัย หมวกแข็ง หรือประคบหูกันเสียงดังที่ไซตามความเหมาะสมกับสภาพการทำงาน จะลดการบาดเจ็บทางร่างกาย
- ▶ **ป้องกันการติดเครื่องโดยไม่ตั้งใจ ตรวจสอบให้แน่ใจ** ว่าสวิตช์อยู่ในตำแหน่งปิดก่อนเชื่อมต่อเข้ากับแหล่งจ่ายไฟ และ/หรือแบตเตอรี่แพ็ค ยกหรือถือเครื่องมือ การถือเครื่องโดยใช้นิ้วหัวที่สวิตช์ หรือเสียบปลั๊กไฟฟ้าขณะสวิตช์เปิดอยู่ อาจนำไปสู่อุบัติเหตุที่ร้ายแรงได้
- ▶ **นำเครื่องมือปรับแต่งหรือประแจปากตายออกก่อนเปิด** สวิตช์เครื่องมือไฟฟ้า เครื่องมือหรือประแจปากตายที่วางอยู่กับสวนของเครื่องที่กำลังหมุนจะทำให้บุคคลบาดเจ็บได้
- ▶ **อย่าเอื้อมไกลเกินไป ตั้งทำขึ้นที่มั่นคงและวางน้ำหนักให้** สมดุลตลอดเวลา ในลักษณะนี้ท่านสามารถควบคุมเครื่องมือไฟฟ้าในสถานการณ์ที่ไม่คาดคิดได้ดีกว่า
- ▶ **แต่งกายอย่างเหมาะสม** อย่าใส่เสื้อผ้าหลวมหรือสวมเครื่องประดับ เาหมและเสื้อผ้าออกห่างจากชิ้นส่วนที่

เคลื่อนที่ เสื้อผ้าหลวม เครื่องประดับ และผม ยาวอาจเข้าไปติดในชิ้นส่วนที่เคลื่อนที่

- ▶ **หากเครื่องมือไฟฟ้ามีข้อเชื่อมต่อกับเครื่องดูดฝุ่นหรือ** เครื่องเก็บผง ให้ตรวจสอบให้แน่ใจว่าได้เชื่อมต่อและใช้งานอย่างถูกต้อง การใช้อุปกรณ์ดูดฝุ่นช่วยลดอันตรายที่เกิดจากฝุ่นได้
- ▶ **เมื่อใช้งานเครื่องบ่อยครั้งจะเกิดความคุ้นเคย** อย่าให้ความคุ้นเคยทำให้ท่านเกิดความชะล่าใจและละเลยกฎเกณฑ์ด้านความปลอดภัยในการใช้งานเครื่อง การทำงานอย่างไม่ระมัดระวังอาจทำให้เกิดการบาดเจ็บอย่างร้ายแรงภายในเสี้ยววินาที

การใช้และการดูแลรักษาเครื่องมือไฟฟ้า

- ▶ **อย่าฝืนกำลังเครื่องมือไฟฟ้า ใช้เครื่องมือไฟฟ้าที่ถูก** ต้องตรงตามลักษณะงานของท่าน เครื่องมือไฟฟ้าที่ถูกต้องจะทำงานได้ดีกว่าและปลอดภัยกว่าในระดับสมรรถภาพที่ออกแบบไว้
- ▶ **อย่าใช้เครื่องมือไฟฟ้าถ้าสวิตช์ไม่สามารถเปิดปิดได้** เครื่องมือไฟฟ้าที่ไม่สามารถควบคุมการเปิดปิดด้วยสวิตช์ได้ เป็นเครื่องมือไฟฟ้าที่ไม่ปลอดภัยและต้องส่งซ่อมแซม
- ▶ **ก่อนปรับแต่งเครื่อง เปลี่ยนอุปกรณ์ประกอบ หรือเก็บ** เครื่องเข้าที่ ต้องถอดปลั๊กออกจากแหล่งจ่ายไฟ และ/หรือถอดแบตเตอรี่แพ็คออกจากเครื่องมือไฟฟ้าหากถอดออกได้ มาตรการป้องกันเพื่อความปลอดภัยนี้ช่วยลดความเสี่ยงจากการติดเครื่องโดยไม่ตั้งใจ
- ▶ **เมื่อเลิกใช้งานเครื่องมือไฟฟ้า ให้เก็บเครื่องไว้ในที่ที่** เด็กหยิบไม่ถึง และไมอนุญาตให้บุคคลที่ไม่คุ้นเคยกับเครื่องหรือบุคคลที่ไม่ได้อ่านคำแนะนำเหล่านี้ใช้เครื่องมือไฟฟ้าเป็นของอันตรายหากตกอยู่ในมือของผู้ใช้ที่ไม่ได้รับการฝึกฝน
- ▶ **บำรุงรักษาเครื่องมือไฟฟ้าและอุปกรณ์ประกอบ** ตรวจสอบชิ้นส่วนที่เคลื่อนที่ว่าวางไม่ตรงแนวหรือติดขัดหรือไม่ ตรวจสอบการแตกหักของชิ้นส่วนและสภาพอื่นใดที่อาจมีผลต่อการทำงานของเครื่องมือไฟฟ้า หากชำรุดต้องส่งเครื่องมือไฟฟ้าไปซ่อมแซมก่อนใช้งาน อุบัติเหตุหลายอย่างเกิดขึ้นเนื่องจากดูแลรักษาเครื่องมือไม่ดีพอ
- ▶ **รักษาเครื่องมือตัดให้คมและสะอาด** หากบำรุงรักษาเครื่องมือที่มีขอบตัดแหลมคมอย่างถูกต้อง จะสามารถตัดได้ลื่นไม่ติดขัดและควบคุมได้ง่ายกว่า
- ▶ **ใช้เครื่องมือไฟฟ้า อุปกรณ์ประกอบ เครื่องมือ และอุปกรณ์** อื่นๆ ตรงตามคำแนะนำเหล่านี้ โดยคำนึงถึงเงื่อนไขการทำงานและงานที่จะทำ การใช้เครื่อง

มือไฟฟ้าทำงานที่ต่างไปจากวัตถุประสงค์การใช้งานของเครื่อง อาจนำไปสู่สถานการณ์ที่เป็นอันตรายได้

- ▶ **ดูแลคัมจับและพื้นผิวจับให้แห้ง สะอาด และปราศจากคราบน้ำมันและจาระบี** คัมจับและพื้นผิวจับที่ลื่นทำให้หยิบจับได้ไม่ปลอดภัย และไม่สามารถควบคุมเครื่องมือในสถานการณ์ที่ไม่คาดคิด

การบริการ

- ▶ **ส่งเครื่องมือไฟฟ้าของท่านเข้ารับบริการจากช่างซ่อมที่มีคุณสมบัติเหมาะสม โดยใช้อะไหล่ที่เหมือนกันเท่านั้น** ในลักษณะนี้ท่านจะแน่ใจได้ว่าเครื่องมือไฟฟ้าอยู่ในสภาพที่ปลอดภัย

คำเตือนเพื่อความปลอดภัยสำหรับเลื่อยตัดตอ

- ▶ **เลื่อยตัดตอใช้สำหรับตัดไม้หรือผลิตภัณฑ์คล้ายไม้** เครื่องนี้ไม่สามารถใช้กับข้อตัดเพื่อตัดออกสำหรับตัดวัสดุประเภทเหล็ก เช่น แท่งเหล็ก ก้านเหล็ก สลักเกลียว และอื่นๆ ผู้ที่มีสารขาดูทำให้ชิ้นส่วนที่เคลื่อนไหวได้ เช่น กระจับบ่งป้องกันลาง เกิดติดขัดประกายไฟจากการตัดที่มีสารขาดูจะเผาไหม้ประกายบ่งป้องกันลาง เพลตแทรก และชิ้นส่วนพลาสติกอื่นๆ
- ▶ **หากเป็นไปได้ให้ใช้เคลมพ์หนีบชิ้นงานไว้** ในกรณีที่ใช้มือจับชิ้นงาน ท่านต้องเอามือของท่านออกห่างจากใบเลื่อยด้านใดด้านหนึ่งอย่างน้อย 100 มม. อย่าใช้เครื่องเลื่อยนี้ตัดชิ้นงานที่มีขนาดเล็กเกินไปที่ไม่สามารถหนีบด้วยเคลมพ์หรือจับด้วยมือได้อย่างแน่นอน หากมือของท่านอยู่ใกล้ใบเลื่อยเกินไป จะเพิ่มความเสี่ยงต่อการได้รับบาดเจ็บจากการสัมผัสใบเลื่อย
- ▶ **ชิ้นงานต้องอยู่กับที่ และถูกยึดหนีบหรือจับทาบกับแผ่นกันและโต๊ะ** อย่าป้อนชิ้นงานเข้าไปในใบเลื่อยหรือตัดด้วย "มือเปล่า" อย่างเด็ดขาด ชิ้นงานที่หลุดหลวมหรือเคลื่อนไหวได้จะถูกเหวี่ยงออกมาด้วยความเร็วสูงและทำให้ได้รับบาดเจ็บได้
- ▶ **ดันเครื่องเลื่อยผ่านชิ้นงาน** อย่าดึงเครื่องเลื่อยผ่านชิ้นงาน สำหรับการตัด ให้ยกหัวเครื่องเลื่อยขึ้น และดึงให้อยู่เหนือชิ้นงานโดยไม่ทำการตัด จากนั้นจึงเปิดสวิตช์มอเตอร์ กดหัวเครื่องเลื่อยลง และดันเครื่องเลื่อยผ่านชิ้นงาน การตัดในจังหวะดึงมีแนวโน้มที่จะทำให้ใบเลื่อยป็นขึ้นไปตามบนของชิ้นงาน และเหวี่ยงชุดใบเลื่อยเข้าหาผู้ใช้งานเครื่องอย่างรุนแรง
- ▶ **อย่าไขว้มือของท่านเหนือเส้นที่ต้องการตัด** ทั้งตรงด้านหน้าและด้านหลังของใบเลื่อย การจับชิ้นงานด้วย "การไขว้มือ" คือ จับชิ้นงานที่อยู่ด้านขวาของใบเลื่อยด้วยมือซ้าย หรือในทางกลับกัน เป็นการกระทำที่อันตรายอย่างยิ่ง
- ▶ **ขณะใบเลื่อยกำลังหมุน อย่าเอามือข้างใดข้างหนึ่งเอื้อมไปด้านหลังแผ่นกันภายในระยะ 100 มม. จาก**

ด้านใดด้านหนึ่งของใบเลื่อยเพื่อหยิบเศษไม้หรือหรือเพื่อเหตุผลอื่นใดก็ตาม ท่านอาจสังเกตเห็นระยะประชิดของใบเลื่อยที่กำลังหมุนกับมือของท่านได้ไม่ชัดเจน และท่านอาจได้รับบาดเจ็บสาหัสได้

- ▶ **ตรวจสอบชิ้นงานของท่านก่อนทำการตัด** หากชิ้นงานบิดหรือโค้งงอ ให้ยึดชิ้นงานโดยจับส่วนที่โค้งออกด้านนอกหันเข้าหาแผ่นกัน ตรวจสอบให้แน่ใจเสมอว่าตามแนวเส้นตัดไม่มีช่องว่างระหว่างชิ้นงาน แผ่นกันและโต๊ะ ชิ้นงานที่แอ่นหรือโค้งอาจบิดหรือเคลื่อนที่ได้ และอาจส่งผลให้ติดขัดอยู่ในใบเลื่อยที่กำลังหมุนในขณะที่ตัด ต้องไม่มีตะปูหรือวัตถุแปลกปลอมในชิ้นงาน
- ▶ **อย่าใช้เครื่องเลื่อยจนกว่าจะนำเครื่องมือทั้งหมด เศษไม้ และอื่นๆ ออกจากโต๊ะแล้ว** เหลือไว้แค่เฉพาะชิ้นงานเท่านั้น ชิ้นเศษขนาดเล็กหรือชิ้นไม้ที่หลุดหลวมหรือวัตถุอื่นใดที่ไปสัมผัสกับใบเลื่อยที่หมุนอยู่ อาจติดตัวออกมาด้วยความเร็วสูง
- ▶ **ตัดเพียงหนึ่งชิ้นงานในแต่ละครั้ง** ชิ้นงานที่ซ้อนกันหลายๆ ชิ้นจะไม่สามารถยึดหรือค้ำยันได้อย่างแน่นอน และอาจติดขัดบนใบเลื่อยหรือเคลื่อนที่ขณะตัด
- ▶ **ก่อนใช้งาน ต้องตรวจสอบให้แน่ใจว่าได้ติดตั้งหรือวางเลื่อยตัดตอไว้บนพื้นผิวทำงานที่มั่นคงและราบเสมอกัน** พื้นผิวทำงานที่มั่นคงและราบเสมอกันช่วยลดความเสี่ยงจากการลื่นคลอนของเลื่อยตัดตอ
- ▶ **วางแผนการทำงานของท่าน** ทุกครั้งที่ท่านเปลี่ยนการตั้งคัมหมัดหรือมุมบาก ต้องตรวจสอบให้แน่ใจว่าได้ปรับตั้งแผ่นกันแบบปรับได้เพื่อหนีบชิ้นงานอย่างถูกต้องแล้ว และจะไม่กีดขวางใบเลื่อยหรือระบบป้องกันเมื่อไม่เปิดสวิตช์เครื่อง "ON" และไม่มีชิ้นงานวางบนโต๊ะ ให้จำลองการตัดโดยเคลื่อนใบเลื่อยไปจนสุด ทั้งนี้เพื่อให้มั่นใจว่าจะไม่มีสิ่งกีดขวางหรืออันตรายจากการตัดถูกแผ่นกัน
- ▶ **สำหรับชิ้นงานที่มีขนาดกว้างกว่าหรือยาวกว่าพื้นผิวด้านบนของโต๊ะ** ต้องจัดให้มีการหนุนค้ำอย่างเพียงพอ เช่น โดยใช้ส่วนขยายโต๊ะ มารองเลื่อย และอื่นๆ ชิ้นงานที่มีขนาดกว้างกว่าหรือยาวกว่าโต๊ะเลื่อยตัดตออาจพลิกคว่ำหากไม่ได้รับการหนุนค้ำอย่างมั่นคง หากชิ้นส่วนที่ตัดออกหรือชิ้นงานพลิกคว่ำ ชิ้นงานอาจยกประกายบ่งป้องกันลางขึ้นหรือถูกใบเลื่อยที่กำลังหมุนเหวี่ยงออก
- ▶ **อย่าใช้บุคคลอื่นทำหน้าที่แทนส่วนขยายโต๊ะหรือเป็นตัวค้ำเพิ่มเติม** การหนุนชิ้นงานอย่างไม่มั่นคงอาจทำให้ใบเลื่อยติดขัด หรือใบเลื่อยเคลื่อนที่ขณะตัด ซึ่งจะฉุดรั้งตัวท่านและผู้ช่วยเข้าไปในใบเลื่อยที่กำลังหมุนได้
- ▶ **ชิ้นส่วนที่ตัดออกจะต้องไม่เข้าไปติดขัดหรือถูกกดอัดกับใบเลื่อยที่กำลังหมุนอย่างเด็ดขาด** หากมีพื้นที่จำกัด

ด. ย. เช่น เมื่อใช้ก้านหยุดความยาว ขึ้นส่วนที่ตัดออกอาจถูกบีบอัดกับใบเลื่อยและถูกเหวี่ยงออกมาอย่างรวดเร็ว

- ▶ **ใช้ແລມบ์หรืออุปกรณ์ที่ออกแบบมาเพื่อยึดจับวัสดุทรงกลม เช่น ก้าน หรือท่อ ให้แน่นหนาเสมอ** ก้านกลมมีแนวโน้มที่จะกลิ้งออกไปในขณะที่ถูกตัด ทำให้ใบเลื่อย “ติดแน่น” และดึงชิ้นงานและมือของท่านเข้าไปในใบเลื่อยได้
- ▶ **ปล่อยให้ใบเลื่อยวิ่งถึงความเร็วสูงสุดก่อนและลงบนชิ้นงาน** ในลักษณะนี้จะลดความเสี่ยงจากการที่ชิ้นงานจะถูกเหวี่ยงออกไป
- ▶ **หากชิ้นงานหรือใบเลื่อยเกิดติดขัด ให้ปิดสวิทช์เลื่อยตัดองศา รอให้ชิ้นส่วนที่เคลื่อนไหวทั้งหมดหยุดนิ่งอยู่กับที่ และถอดปลั๊กไฟออกจากแหล่งจ่ายไฟ และ/หรือถอดแบตเตอรี่แพ็คเกจออก จากนั้นจึงเอาวัสดุที่ติดขัดออกมา** การเลื่อยชิ้นงานที่ติดขัดต่อไป อาจทำให้สูญเสียการควบคุม หรือเลื่อยตัดต่ออาจเสียหายได้
- ▶ **เมื่อตัดเสร็จแล้ว ให้ปล่อยนิ้วจากสวิทช์ จับหัวเครื่องเลื่อยลง และรอให้ใบเลื่อยหยุดนิ่งอยู่กับที่ก่อนเอาชิ้นงานที่ถูกตัดออกมา** การเอื้อมมือของท่านเข้าไปใกล้ใบเลื่อยที่วิ่งด้วยแรงเฉื่อยเป็นการกระทำที่อันตราย
- ▶ **จับตามจับอย่างแน่นหนาเมื่อทำการตัดที่ไม่สมบูรณ์ หรือเมื่อปล่อยนิ้วจากสวิทช์ก่อนที่หัวเครื่องเลื่อยจะอยู่ในตำแหน่งลงอย่างสมบูรณ์** การเบรคเครื่องเลื่อยอาจทำให้หัวเครื่องเลื่อยถูกดึงลงด้านล่างอย่างกะทันหัน ทำให้เสี่ยงต่อการได้รับบาดเจ็บ
- ▶ **รักษาสถานที่ทำงานให้สะอาด** การผสมผสานของวัสดุเป็นอันตรายอย่างยิ่งฝุ่นละอองโลหะอาจเผาไหม้หรือระเบิดได้
- ▶ **อย่าใช้ใบเลื่อยที่หูแตก ร้าว คดงอ หรือชำรุด** ใบเลื่อยที่หูหรือปรับตั้งไว้ไม่ถูกต้องจะไ้รอยตัดแคบ ทำให้มีการเสียดสีมากเกินไป ใบเลื่อยติดขัดและเกิดการตีกลับ
- ▶ **อย่าใช้ใบเลื่อยที่ทำจากเหล็กกล้ารอบสูง (High Speed Steel, HSS)** ใบเลื่อยนี้แตกง่าย
- ▶ **ใช้ใบเลื่อยที่มีขนาดและรูปทรงรูยึดที่ถูกต้องเสมอ (สีเหลี่ยมขนมเปียกปูนหรือกลม)** ใบเลื่อยที่ไม่เข้าชุดกับอุปกรณ์ติดตั้งของเครื่องเลื่อยจะวิ่งไม่อยู่กึ่งกลางและทำให้สูญเสียการควบคุม
- ▶ **อย่านำเศษตกค้างจากการตัด เศษโลหะ และอื่นๆ ออกจากบริเวณตัดขณะเครื่องกำลังวิ่งอยู่** ต้องนำแขนเครื่องมือกลับไปตำแหน่งกลางก่อนเสมอ และจากนั้นจึงปิดสวิทช์เครื่อง
- ▶ **เมื่อสิ้นสุดการทำงาน อย่าสัมผัสใบเลื่อยก่อนที่ใบเลื่อยจะเย็นลง** ใบเลื่อยจะร้อนขึ้นมากขณะทำงาน

สัญลักษณ์

สัญลักษณ์ต่อไปนี้มีความสำคัญต่อการใช้เครื่องมือไฟฟ้าของท่าน กรุณาจดจำสัญลักษณ์และความหมาย การแปลความสัญลักษณ์ได้ถูกต้องจะช่วยให้ท่านใช้เครื่องมือไฟฟ้าได้ดีและปลอดภัยกว่า

สัญลักษณ์และความหมายของสัญลักษณ์



เอามือออกจากบริเวณตัดขณะเครื่องกำลังวิ่ง

อันตรายจากการบาดเจ็บเมื่อไปสัมผัสกับใบเลื่อย



สวมหน้ากากป้องกันฝุ่น



สวมแว่นตาป้องกันอันตราย



สวมอุปกรณ์ป้องกันเสียง การรับฟังเสียงดังอาจทำให้สูญเสียการได้ยิน



บริเวณอันตราย! เอามือ นิ้ว หรือแขนออกจากบริเวณนี้



อย่าสอดนิ้วมือของท่านระหว่างส่วนที่เคลื่อนไหวของแขนเคลื่อน อันตรายจากนิ้วมือถูกบีบอัดและได้บาดเจ็บอย่างมาก

- 3 601 M27 04.** สังเกตขนาดของใบเลื่อย
- 3 601 M27 0L.** เส้นผ่าศูนย์กลางรูต้องเข้ากับแกน
- 3 601 M27 08.** เครื่องมือโดยไม่มีช่องหลวม หาก
- 3 601 M27 0B.** จำเป็นต้องใช้ตัวลดขนาด ให้ตรวจสอบ
- 3 601 M27 0K.** ให้แน่ใจว่าขนาดของตัวลดขนาดนั้นตรงกับ

Ø 254mm Ø 25.4mm

- 3 601 M27 00.** รวมทั้งเส้นผ่าศูนย์กลาง
- 3 601 M27 03.** ของแกนเครื่องมือ หากเป็นไปได้ให้ใช้
- 3 601 M27 06.** ตัวลดขนาดที่จัดส่งมาพร้อมกับใบเลื่อย
- 3 601 M27 07.** เส้นผ่าศูนย์กลางใบเลื่อยต้องสอดคล้องกับข้อมูลบนสัญลักษณ์

Ø 254mm Ø 30mm

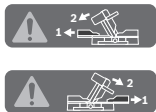
สัญลักษณ์และความหมายของสัญลักษณ์



เมื่อขนย้ายเครื่อง
ให้จับเครื่องตรงตำแหน่งที่กำหนด
(ด้ามจับเว้า) เท่านั้น



อย่าให้หัวเครื่องมือไฟฟ้าตรงตาม
จับของแขนเลื่อนอย่างเด็ดขาด



สำหรับมุมเอียงในแนวตั้ง ต้องปรับส่วน
ขยายแผ่นกันทางซ้ายหรือทางขวา หรือ



ถอดออกทั้งหมด



เปิดตามหีบ:
สามารถปรับมุมเอียงในแนวตั้งได้
ปิดตามหีบ:
มุมเอียงในแนวตั้งของแขนเลื่อนที่ปรับ
ไว้จะถูกล็อก



แสดงแต่ละขั้นตอนสำหรับการปรับมุม
เอียงในแนวตั้ง

1. คลายตามหีบออก
2. หมุนแขนเลื่อนไปทางซ้ายเล็กน้อย
3. ปรับช่วงมุมเอียงในแนวตั้งที่
ต้องการที่ลูกบิดหมุน



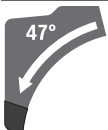
ปรับช่วงมุมเอียงในแนวตั้งที่ลูกบิดหมุน:



การเอียงใบเลื่อยไปทางซ้าย
(45° ... 0°)



การเอียงใบเลื่อยไปทางขวา
(0° ... 45°)



ช่วงการหมุนทั้งหมดของแขนเลื่อน (-
47° ... +47°)



สำหรับการปรับมุมเอียงในแนว
นอนแบบลุ่ม โตะเลื่อยจะ
ต้องเคลื่อนได้อย่างอิสระและตัว
หยุดช่องกักมุมต้องถูกล็อก:



- ดึงคันโยก ❶ และในเวลาเดียวกันให้
ดันตัวหยุดช่องกักมุมไปทางด้านหน้า
❷

รายละเอียดผลิตภัณฑ์และข้อมูล

จำเพาะ



อ่านคำเตือนเพื่อความปลอดภัยและคำ
แนะนำทั้งหมด การไม่ปฏิบัติตามคำเตือนและ
คำสั่งอาจเป็นสาเหตุให้ถูกไฟฟ้าดูด เกิดไฟไหม้
และ/หรือได้รับบาดเจ็บอย่างร้ายแรง

กรุณาดูภาพประกอบในส่วนหน้าของคู่มือการใช้งาน

ประโยชน์การใช้งานของเครื่อง

เครื่องมือไฟฟ้านี้เป็นเครื่องประจำที่ ใช้สำหรับตัดไม้เป็นแนว
ตรงทั้งตามยาวและตามขวาง สามารถตัดมุมเอียงในแนวนอน
จาก -52° ถึง +60° และมุมเอียงในแนวตั้งจาก 47° (ด้าน
ซ้าย) ถึง 47° (ด้านขวา)

เครื่องนี้ออกแบบให้มีความทนทานสำหรับเลื่อยไม้เนื้อ
อ่อนและเนื้อแข็ง และพาร์ติเคิลบอร์ดและไฟเบอร์บอร์ด
เมื่อใช้ใบเลื่อยที่เหมาะสม
ยังสามารถเลื่อยโปรไฟล์อะลูมิเนียมและวัสดุสังเคราะห์ได้อีก
ด้วย

ส่วนประกอบที่แสดงภาพ

ลำดับเลขของส่วนประกอบผลิตภัณฑ์อ้างอิงส่วน
ประกอบของเครื่องที่แสดงในหน้าภาพประกอบ

- (1) ถุงเก็บผง
- (2) คันล็อคคกกลไกเลื่อน
- (3) ด้ามจับ
- (4) ปุ่มล็อคไม่ให้สวิตช์เปิด-ปิดทำงาน
- (5) กระจับป้องกัน
- (6) กระจับป้องกันใบเลื่อยชนิดซึกรันได้
- (7) แผ่นกันปรับได้
- (8) แผ่นกัน
- (9) แผ่นสอด
- (10) ตัวหยุดช่องกักมุม
- (11) ลูกบิดล๊อคสำหรับมุมเอียงทั้งหมด (แนวนอน)
- (12) คันปรับมุมเอียง (แนวนอน)
- (13) ด้ามหีบสำหรับมุมเอียงทั้งหมด (แนวตั้ง)
- (14) ช่องกักสำหรับมุมเอียงมาตรฐาน (แนวนอน)
- (15) รูสำหรับติดตั้ง
- (16) ห่วงเหล็กขยาย
- (17) ด้ามจับเว้า
- (18) คันล๊อคของห่วงเหล็กขยาย
- (19) แคลมป์ยึดวัสดุ

- | | |
|---|---|
| (20) ลูกกลิ้ง | (41) แผ่นครอบ |
| (21) เข็มซี่มมสำหรับช่วงมุมเอียงด้านขวา (0° ... 47°) (แนวตั้ง) | (42) ล็อคแกน |
| (22) กระบ้งเบียงเคสโลหะ | (43) สกรูหัวจมทกเหลี่ยมสำหรับยึดใบเลื่อย |
| (23) แชนเลื่อน | (44) หน้าแปลนยึด |
| (24) สกรูปรับก้านวัดความลึก | (45) หน้าแปลนยึดด้านใน |
| (25) ก้านวัดความลึก | (46) สกรูล็อคของแผ่นกันปรับได้ |
| (26) ล็อคนิรภัยสำหรับขนย้าย | (47) ตัวควบคุมการหน่วง |
| (27) มาตรการส่วนสำหรับมุมเอียง (แนวตั้ง) | (48) สกรูตั้งสำหรับการหน่วง |
| (28) เข็มซี่มมสำหรับช่วงมุมเอียงด้านซ้าย (47° ... 0°) (แนวตั้ง) | (49) รูสำหรับแคลมป์ยึดตัวลุด |
| (29) ลูกบิดปรับสำหรับมุมเอียง 22.5° (แนวตั้ง) | (50) ก้านหมุนเกลียว |
| (30) ประแจขันทกเหลี่ยม (6 มม./4 มม.) | (51) เข็มซี่มมสำหรับมุมเอียง (แนวนอน) |
| (31) มาตรการส่วนสำหรับมุมเอียง (แนวนอน) | (52) สวิทซ์เปิด-ปิด |
| (32) ลูกบิดหมุนสำหรับปรับช่วงมุมเอียง (แนวตั้ง) | (53) สกรูสำหรับแผ่นลอด |
| (33) โตะเลื่อย | (54)/ สกรูปรับสำหรับการปรับพื้นฐาน 0° (มุมเอียงในแนวตั้ง) |
| (34) ใบเลื่อย | (55)/ (56) |
| (35) ข้อต่อท่อคุดออก | (57) สกรูปรับสำหรับการปรับพื้นฐาน 45° (มุมเอียงในแนวตั้งด้านซ้าย) |
| (36) ช่องพ่นซีกบออก | (58) สกรูปรับสำหรับการปรับพื้นฐาน 45° (มุมเอียงในแนวตั้งด้านขวา) |
| (37) สกรูล็อคของก้านเชื่อมต่อของกระบ้งป้องกันใบเลื่อยชนิดชักกรันได้ | (59) สกรูตั้งของมาตรการส่วนสำหรับมุมเอียง (แนวนอน) |
| (38) ก้านเชื่อมต่อของกระบ้งป้องกันใบเลื่อยชนิดชักกรันได้ | (60) สกรูสำหรับเข็มซี่มม (แนวนอน) |
| (39) สกรูยึดด้านหน้า (แผ่นครอบ/กระบ้งป้องกันใบเลื่อยชนิดชักกรันได้) | (61) สกรูปรับสำหรับแรงหนีบของค้ำหนีบสำหรับมุมเอียงทั้งหมด (แนวตั้ง) |
| (40) สกรูยึดด้านหลัง (แผ่นครอบ/กระบ้งป้องกันใบเลื่อยชนิดชักกรันได้) | (62) สายรัดตีนตุ๊กแก |

ข้อมูลทางเทคนิค

แทนต์ตองศาแบบสไลด์		GCM 10 GDJ	GCM 10 GDJ
หมายเลขสินค้า		3 601 M27 04. 3 601 M27 0L. 3 601 M27 08. 3 601 M27 0B. 3 601 M27 0K.	3 601 M27 00. 3 601 M27 03. 3 601 M27 06. 3 601 M27 07.
กำลังไฟฟ้าที่กิดด้านเข้า	วัตต์	2000	2000
ความเร็วรอบเดินตัวเปล่า	นาที ¹	5000	5000
การจำกัดกระแสไฟฟ้าเมื่อสตาร์ทเครื่อง		●	●
น้ำหนักตามระเบียบการ EPTA-Procedure 01:2014	กก.	31,6	31,6

แพ้นัดตองศาแบบสไลด์		GCM 10 GDJ	GCM 10 GDJ
ระดับความปลอดภัย		☐/	☐/
ขนาดของใบเลื่อยที่เหมาะสม			
เส้นผ่าศูนย์กลางใบเลื่อย	มม.	254	254
ความหนาใบ	มม.	1.7-2.6	1.7-2.6
ความกว้างการตัด สูงสุด	มม.	3.2	3.2
เส้นผ่าศูนย์กลางรูปประกอบ	มม.	25.4	30

ค่าที่ให้ไว้ใช้ได้กับแรงดันไฟฟ้าอนามินอล [U] 230 โวลต์ค่าเหล่านี้อาจเปลี่ยนแปลงไปสำหรับแรงดันไฟฟ้าที่แตกต่างกันและโมเดลที่ผลิตสำหรับเฉพาะประเทศ

ขนาดชิ้นงานที่อนุญาต (สูงสุด/ต่ำสุด): (ดู "ขนาดชิ้นงานที่อนุญาต", หน้า 74)

การติดตั้ง

- ▶ หลีกเลี่ยงอย่าให้เครื่องติดขึ้นเองโดยไม่ตั้งใจ ขณะติดตั้งและเมื่อทำการปรับแต่งใดๆ ที่เครื่องมือไฟฟ้า ต้องไม่ต่อปลั๊กไฟฟ้าเข้ากับแหล่งจ่ายไฟฟ้าหลัก

รายการสิ่งของที่จัดส่ง



กรุณาล้างเกดภาพประกอบรายการสิ่งของที่จัดส่งในตอนต้นของคู่มือการใช้งาน

ก่อนใช้เครื่องทำงานเป็นครั้งแรก ให้ตรวจสอบว่าชิ้นส่วนทั้งหมดที่ระบุด้านล่างนี้ได้จัดส่งมาด้วยหรือไม่:

- แพ้นัดตองศาแบบเลื่อนพร้อมใบเลื่อยติดตั้งมาแล้ว (34)
- ลูกบิดล็อก (11)
- ด้ามหนีบ (13) พร้อมชุดยึด
- ห่วงเหล็กขยา (16) และคันล็อก (18) พร้อมชุดยึด
- ลุงเก็บผง (1)
- ประแจขันหกเหลี่ยม (30)
- แคลมป์ยึดวัสดุ (19)

หมายเหตุ: ตรวจสอบเครื่องมือไฟฟ้าเพื่อหาจุดชำรุดที่อาจมีก่อนใช้เครื่องมือไฟฟ้าต่อไปต้องตรวจสอบอุปกรณ์ป้องกันอันตรายว่าทำงานอย่างถูกต้องหรือไม่ ส่วนชำรุดเล็กน้อยใดๆ ต้องได้รับการตรวจสอบอย่างละเอียดถี่ถ้วนเพื่อจะมั่นใจว่าเครื่องจะทำงานได้อย่างไม่มีข้อบกพร่อง ตรวจสอบชิ้นส่วนที่เคลื่อนไหวว่าทำงานอย่างถูกต้องและติดขัดหรือไม่ หรือมีชิ้นส่วนเสียหายหรือไม่ ชิ้นส่วนทั้งหมดต้องติดตั้งอย่างถูกต้องและตรงตามเงื่อนไขทั้งหมดเพื่อให้เห็นใจว่าจะทำงานได้อย่างไม่ผิดพลาด ท่านต้องส่งเครื่องไปยังโรงซ่อมที่เชี่ยวชาญและเป็นที่ยอมรับเพื่อทำการซ่อมแซมหรือเปลี่ยนอุปกรณ์ป้องกันอันตรายและชิ้นส่วนที่เสียหายอย่างถูกต้อง

เครื่องมือเพิ่มเติมที่ต้องใช้ (ไม่อยู่ในรายการสิ่งของที่จัดส่ง):

- ไขควงปากแฉก
- ประแจวงล้อ (ขนาด: 8 มม.)
- ประแจแหวน ประแจปากตาย หรือประแจบ็อกซ์ (ขนาด: 10 มม. และ 17 มม.)

การติดตั้งส่วนประกอบแต่ละชิ้น

- นำชิ้นส่วนทั้งหมดที่จัดส่งมาออกจากหีบห่ออย่างระมัดระวัง
- นำวัสดุหีบห่อทั้งหมดออกจากเครื่องมือไฟฟ้าและอุปกรณ์ประกอบที่จัดส่งมา

การติดตั้งลูกบิดล็อก (ดูภาพประกอบ a)

- ชั้นลูกบิดล็อก (11) เข้าในรูที่สอดคล้องกันเหนือคันปรับ (12)

- ▶ **ชั้นลูกบิดล็อก (11) เข้าให้แน่นก่อนเสียบเสมอ** มิฉะนั้นใบเลื่อยอาจติดขัดในชิ้นงานได้

ติดตั้งด้ามหนีบสำหรับมุมเฉียงทั้งหมด (แนวตั้ง) (ดูภาพประกอบ a)

สำหรับการติดตั้งด้ามหนีบ (13) ให้ใช้ชุดยึดที่จัดส่งมาด้วย (ประแจบ็อกซ์, น็อต, แหวนรอง 2 ตัว)

- วางชิ้นส่วนแต่ละชิ้นตามลำดับที่แสดง (แหวนรองใหญ่, ด้ามหนีบ, แหวนรองเล็ก, น็อต) บนสลักเกลียวที่เครื่องมือไฟฟ้า
- เพื่อการส่งแรงที่ดีขึ้นเมื่อขันน็อต ให้เสียบประแจหกเหลี่ยมที่จัดส่งมาด้วย (30) ผ่านรูประแจบ็อกซ์
- ขันน็อตให้แน่น

การติดตั้งห่วงเหล็กขยา (ดูภาพประกอบ b)

ติดตั้งห่วงเหล็กขยา (16) โดยใช้ชุดยึดที่จัดส่งมาด้วย (คันโยกหนีบ 2 ตัว (18), สกรูสกริป 2 ตัว, สกรูตอก 2 ตัว)

- เลื่อนหวงเหล็กขยาย (16) เข้าในรูที่เหมาะสมจนสุดที่โต๊ะเลื่อย (33)
- ขันสกรูตอกด้วยมือเข้าในรูที่เหมาะสมจนสุด
- วางคันโยกหนึบ (18) บนสกรูตอก
- ยึดคันโยกหนึบ (18) ด้วยสกรูสปริง
- เพิ่มแรงยึดคันโยกหนึบ (18) โดยขันสกรูสปริงด้วยประแจหกเหลี่ยมที่จัดส่งมาด้วย (30)

การติดตั้งแบบประจำที่หรือแบบคล่องตัว

- ▶ **เพื่อความคมเครื่องให้ได้อย่างปลอดภัย ก่อนใช้งานต้องติดตั้งเครื่องบนพื้นผิวที่มั่นคงและราบเสมอกัน (ต. ย. เช่น โต๊ะทำงานของช่าง)**

การติดตั้งบนพื้นทำงาน (ดูภาพประกอบ c1)

- ยึดเครื่องมือไฟฟ้าเข้ากับพื้นผิวทำงานด้วยสกรูยึดที่เหมาะสม สำหรับการยึดให้ใช้รู (15)

หรือ

- หนีบฐานของเครื่องมือไฟฟ้าเข้ากับพื้นผิวทำงานให้แน่น ด้วยแคลมป์ยึดวัสดุที่มีจำหน่ายทั่วไป

การติดตั้งบนโต๊ะทำงาน Bosch

(ดูภาพประกอบ c2)

(GTA 2500 W, GTA 3700, GTA 3800)

โต๊ะเลื่อย GTA ของ บอช มีขาที่ปรับความสูงได้

จึงสามารถค้ำพุงเครื่องมือไฟฟ้าบนทุกพื้นผิว แทนรองรับชิ้นงานของโต๊ะเลื่อยใช้สำหรับรองรับชิ้นงานที่มีขนาดยาว

- ▶ **อ่านค่าเตือนเพื่อความปลอดภัยและคำสั่งทั้งหมดที่แนบมากับโต๊ะเลื่อย** การไม่ปฏิบัติตามค่า

เตือนเพื่อความปลอดภัยและค่า

สั่งอาจเป็นสาเหตุให้ถูกไฟฟ้าดูด เกิดไฟไหม้ และ/หรือได้รับบาดเจ็บอย่างร้ายแรง

- ▶ **ต่อโต๊ะเลื่อยอย่างถูกต้องก่อนติดตั้งเครื่องมือไฟฟ้า**

จำเป็นต้องต่อให้เรียบร้อยถูกต้องเพื่อหลีกเลี่ยงอันตรายจากการลัดวงจร

เลือกอันตรายจากการลัดวงจร

- ติดตั้งเครื่องมือไฟฟ้าในตำแหน่งขนย้ายบนโต๊ะทำงาน

การดูดฝุ่น/ซีเลื่อย

ฝุ่นที่ได้จากวัสดุ เช่น เคลือบผิวที่มีสารตะกั่ว ไม้ยางประเภท

แรธาตุ และโลหะ อาจเป็นอันตรายต่อสุขภาพ การ

สัมผัสหรือการหายใจเอาฝุ่นเข้าไปอาจทำให้เกิดปฏิกิริยาแพ้

ฝุ่น และ/หรือนำมาซึ่งโรคติดเชื้อระบบหายใจแก่ผู้

ใช้เครื่องหรือผู้ที่ยืนอยู่ใกล้เคียง

ฝุ่นบางประเภท เช่น ฝุ่นไม้โอ๊ก หรือไม้บีช นับ

เป็นสารที่ทำให้เกิดมะเร็ง โดยเฉพาะอย่างยิ่งเมื่อผสม

กับสารเติมแต่งเพื่อย้อมไม้ (โครเมต ผลิตภัณฑ์รักษาเนื้อไม้)

สำหรับวัสดุที่มีแอลเบสทอลต้องให้ผู้เชี่ยวชาญทำงานเท่านั้น

- ใช้ระบบดูดฝุ่นออกที่เหมาะสมกับประเภทวัสดุ มากเท่าที่จะทำได้

- จัดสถานที่ทำงานให้มีการระบายอากาศที่ดี

- ขอแนะนำให้สวมหน้ากากป้องกันการติดเชื้อที่มีระดับ-ไส้กรอง P2

ปฏิบัติตามกฎข้อบังคับสำคัญอื่นๆ ที่เกี่ยวกับวัสดุชิ้นงานที่ยังคงใช้ในประเทศของท่าน

▶ ป้องกันการสะสมของฝุ่นในสถานที่ทำงาน

ฝุ่นสามารถถูกไหลอย่างง่ายตาย

อุปกรณ์ดูดฝุ่น/ซีเลื่อยอาจอุดตันด้วยฝุ่น ซีเลื่อยหรือสะเก็ดชิ้นงาน

- ปิดสวิทช์เครื่อง และดึงปลั๊กไฟพ้อออกจากเต้าเสียบ

- รองนโยเลื่อยหยุดสนิท

- หลีกเลี่ยงของการอุดตันและทำการแก้ไข

การดูดฝุ่นในตัว (ดูภาพประกอบ d)

เพื่อความสะอาดในการเก็บเศษผง ให้ใช้ถุงเก็บผง (1) ที่จัดส่งมา

- สอดและหมุนถุงเก็บผง (1) บนอะแดปเตอร์ดูด (35) เพื่อให้ขาของอะแดปเตอร์ดูดเข้าที่ช่องบนถุงเก็บฝุ่น

ขณะเลื่อย ถุงเก็บ

ผงต้องไม่ไปสัมผัสกับส่วนของเครื่องที่เคลื่อนไหวได้

ถ่ายถุงเก็บผงให้ทันเวลาที่เสมอ

- ▶ **ตรวจสอบและทำความสะอาดถุงเก็บผงทุกครั้งหลังใช้งาน**

- ▶ **เมื่อต้องการเลื่อยอะลูมิเนียม**

ให้ถอดถุงเก็บผงออกเพื่อหลีกเลี่ยงอันตรายจากไฟไหม้

การดูดฝุ่นด้วยเครื่องดูดฝุ่นภายนอก

สำหรับการดูดฝุ่นออกของท่อดูดออก (35) ท่านยังสามารถเชื่อมต่อท่อของเครื่องดูดฝุ่น (Ø มม.) ได้ด้วย

- เชื่อมต่อท่อดูดฝุ่นเข้ากับช่องพ่นซีกับออก (35)

เครื่องดูดฝุ่นต้องมีลักษณะการใช้งานที่เหมาะสม

กับประเภทวัสดุชิ้นงาน

ในกรณีดูดฝุ่นแห้งที่เป็นอันตรายต่อสุขภาพอย่างยิ่งหรืออาจก่อให้เกิดมะเร็งได้ ให้ใช้เครื่องดูดฝุ่นพิเศษ

การทำความปลอดภัยต่อท่อดูดออก

เพื่อให้ท่อดูดฝุ่นออกได้ดีที่สุด ต้องทำความสะอาดข้อต่อท่อดูดออก (35) เป็นประจำ

- ถอดข้อต่อท่อดูดออก (35) โดยหมุนบิดออกจากช่องพ่นซีกับออก (36)

ซีกับออก (36)

ซีกับออก (36)

- เอาเศษและสะเก็ดชิ้นงานออก

- ดันข้อต่อท่อดูดออกเข้าบนช่องพ่นซีกับออกอีกครั้งโดย

หมุนบิดจนข้อต่อขบเข้าบนแหวนจับของช่องพ่นซีกับออก

การเปลี่ยนใบเลื่อย (รูปภาพประกอบ e1-e4)

▶ ดึงปลั๊กไฟออกจากเต้าเสียบก่อนปรับแต่งเครื่อง

▶ สวมถุงมือป้องกันอันตรายเมื่อติดตั้งใบเลื่อย เมื่อสัมผัสใบเลื่อยจะเสี่ยงต่อการได้รับบาดเจ็บ

ใช้เฉพาะใบเลื่อยที่มีความเร็วสูงสุดที่อนุญาตสูงกว่าความเร็วรอบตัวเปล่าของเครื่องมือไฟฟ้าของท่าน

ใช้เฉพาะใบเลื่อยที่

มีคุณสมบัติสอดคล้องกับข้อมูลที่ระบุไว้ในหนังสือคู่มือการใช้งานเล่มนี้ และที่ผ่านการทดสอบและทำเครื่องหมายตาม EN 847-1

ใช้เฉพาะใบเลื่อยที่บริษัทผู้ผลิตเครื่องมือไฟฟ้านี้แนะนำให้ใช้ และใบเลื่อยที่เหมาะสมสำหรับเลื่อยวัสดุที่ต้องการตัด ในลักษณะนี้จะช่วยป้องกันไม่ให้ฟันเลื่อยร้อนเกินไปขณะตัด

การถอดใบเลื่อย

- จัดเครื่องมือไฟฟ้าให้อยู่ในตำแหน่งทำงาน
- คลายสลกรูล็อค (37) ด้วยประแจขันทกเหลี่ยม (6 มม.) (30) จนกระทั่งให้ด้าม (38) ห้อยลงได้
- คลายสลกรูยึด (39) ออก (ประมาณ 2 รอบหมุน) ด้วยประแจขันทกเหลี่ยม (4 มม.) (30) อย่างชันสลกรูออกจนสุด
- คลายสลกรูยึด (40) (ออก (ประมาณ 6 รอบหมุน) ด้วยประแจขันทกเหลี่ยม (4 มม.) (30) อย่างชันสลกรูออกจนสุด
- ดึงแผ่นครอบ (41) ไปทางด้านหน้าและด้านล่างออกจากสลกรูยึด (40)
- หมุนกระบังป้องกันใบเลื่อยชนิดซักรันไต์ (6) ไปด้านหลังและจับกระบังป้องกันใบเลื่อยชนิดซักรันไต์ไว้ในตำแหน่งนี้
- แขนก้านเชื่อมต่อ (38) บนสลกรูยึด (40) โดยใช้รูลักษณะนี้จะจับกระบังป้องกันใบเลื่อยชนิดซักรันไต์ให้อยู่ในตำแหน่งเปิด
- หมุนสลกรูหัวจมหกเหลี่ยม (43) ด้วยประแจขันทกเหลี่ยม (6 มม.) (30) และในขณะที่เดียวกันให้กดลอคแกน (42) จนขบเข้าที่
- กดลอคแกน (42) ค้างไว้ และขันสลกรูหัวจมหกเหลี่ยม (43) ออกในทิศตามเข็มนาฬิกา (เกลียวซ้าย!)
- ถอดน็อตยึด (44) ออก
- ถอดใบเลื่อย (34) ออก

การประกอบใบเลื่อย

▶ เมื่อประกอบใบเลื่อย ต้องเอาใจใส่ให้ทิศทางตัดของฟัน (ทิศทางลูกศรบนใบเลื่อย) ชี้ไปทางเดียว กับทิศทางของลูกศรบนกระบังป้องกันใบเลื่อย!

ก่อนทำการติดตั้งให้ทำความสะอาดชิ้นส่วนที่จะติดตั้งทั้งหมด หากจำเป็น

- ประกอบใบเลื่อยใหม่เข้ากับหน้าแปลนยึดด้านใน (45)
- ใส่ น็อตยึด (44) และสลกรูหัวจมหกเหลี่ยม (43) กดลอคแกน (42) จนขบเข้าที่ และขันสลกรูหัวจมหกเหลี่ยมให้แน่น โดยหมุนในทิศตามเข็มนาฬิกา
- ปลดก้านเชื่อมต่อ (38) จากสลกรูยึด (40) และเลื่อนกระบังป้องกันใบเลื่อยชนิดซักรันไต์ (6) ลงอีกครั้ง
- เลื่อนแผ่นครอบ (41) กลับไปที่สลกรูยึด (40) อีกครั้ง
- ขันสลกรูยึด (40) และ (39) กลับเข้าที่แน่น
- เลื่อนก้านเชื่อมต่อ (38) กลับเข้าไปในตำแหน่งเดิมของมัน และยึดสลกรูล็อค (37) ด้วยประแจทกเหลี่ยม (6 มม.) (30)

การปฏิบัติงาน

▶ ดึงปลั๊กไฟออกจากเต้าเสียบก่อนปรับแต่งเครื่อง

ล๊อคนิรภัยสำหรับขนย้าย (รูปภาพประกอบ A)

ล๊อคนิรภัยสำหรับขนย้าย (26) ทำให้สามารถจับถือเครื่องมือไฟฟ้าได้สะดวกเมื่อขนย้ายไปยังสถานที่ทำงานต่างๆ

การปลดเครื่อง (ตำแหน่งทำงาน)

- ดันแขนเลื่อน (23) ตรงด้ามจับ (3) ลงเล็กน้อยเพื่อคลายล๊อคนิรภัยสำหรับขนย้าย (26)
- ดึงล๊อคนิรภัยสำหรับขนย้าย (26) ออกมาด้านนอกทั้งหมด
- เลื่อนแขนเลื่อน (23) ขึ้นอย่างช้าๆ

การรัดเครื่อง (ตำแหน่งขนย้าย)

- เลื่อนแขนเลื่อน (23) ไปทางด้านท้ายทั้งหมด และยึดให้แน่นในตำแหน่งนี้
- เลื่อนแขนเลื่อนลงไปจนสามารถดันล๊อคนิรภัยสำหรับขนย้าย (26) เข้าด้านในทั้งหมด

ข้อมูลเพิ่มเติม: การขนย้าย

การล๊อคแขนเลื่อน

- กลไกเลื่อนของแขนเลื่อน (23) สามารถล๊อคด้วยคันล๊อค (2) ท่านสามารถล๊อคแขนเลื่อนได้สองตำแหน่ง:
- ดันแขนเลื่อนไปทางด้านท้ายทั้งหมด (สำหรับการตัดลับ)
 - ดึงแขนเลื่อนมาทางด้านหน้าทั้งหมด (สำหรับตำแหน่งขนย้ายแบบกระชับ)

การปลดแขนเลื่อน (รูปภาพประกอบ B1)

เมื่อปลดล๊อคแขนเลื่อน (23) แล้ว กลไกเลื่อนทั้งหมดพร้อมจะทำงาน

- กดคันล๊อค (2) ลงจนสุด
- ลืมหนีบของคันล๊อคจะปลดชิ้นส่วนเชื่อมต่อทั้งสองชิ้นที่ด้านล่างของแขนเลื่อนออก

การรัดแขนเลื่อน (รูปภาพประกอบ B2)

แขนเลื่อนถูกดันไปทางด้านท้ายทั้งหมด:

- ดันแขนเลื่อน (23) ไปทางด้านท้ายจนสุด
- ตอนนี้ขึ้นส่วนเชื่อมต่อด้านบนทั้งสองชิ้นของแขนเลื่อนอยู่ในตำแหน่งตั้งขึ้นและปิด
- ดึงคันล๊อค (2) ขึ้นไปด้านบนจนลิ่มหนีบวางอยู่ระหว่างชิ้นส่วนเชื่อมต่อทั้งสองชิ้นที่ด้านล่างของแขนเลื่อน
- ในลักษณะนี้แขนเลื่อนที่ถูกดันไปด้านหลังทั้งหมด (23) จะถูกล๊อค

แขนเลื่อนถูกดึงเข้ามาด้านหน้าทั้งหมด:

- ดึงแขนเลื่อน (23) เข้ามาด้านหน้าจนสุด
- ตอนนี้นักกลไกเลื่อนถูกขยายออกไปทั้งหมด
- ดึงคันล๊อค (2) ขึ้นไปด้านบนจนลิ่มหนีบวางอยู่ระหว่างชิ้นส่วนเชื่อมต่อทั้งสองชิ้นที่ด้านล่างของแขนเลื่อน

เมื่อตัดมุมเอียงในแนวนอนและ/หรือแนวตั้ง ท่านต้องดึงแผ่นกันปรับได้ (7) ไปด้านนอกทางซ้ายหรือทางขวาขึ้นอยู่กับทิศทางการตัดหรือถอดออกไป

มุมเอียงในแนวตั้ง	มุมเอียงในแนวนอน	
0°-47° (ซ้าย)	≤ 44° (ขวา/ซ้าย)	- คลายสลกรูล็อค (46) ออก - ดึงแผ่นกันปรับได้ด้านซ้าย (7) ออกมาด้านนอกทั้งหมด
0°-47° (ซ้าย)	≥ 45° (ขวา/ซ้าย)	- คลายสลกรูล็อค (46) ออก - ดึงแผ่นกันปรับได้ด้านซ้าย (7) ออกมาด้านนอกทั้งหมด - ยกแผ่นกันปรับได้ออกทางด้านบน - ถอดสลกรูล็อค (46) ออก
0°-47° (ขวา)	≤ 44° (ขวา/ซ้าย)	- คลายสลกรูล็อค (46) ออก - ดึงแผ่นกันปรับได้ด้านขวา (7) ออกมาด้านนอกทั้งหมด
0°-47° (ขวา)	≥ 45° (ขวา/ซ้าย)	- ยกแผ่นกันปรับได้ออกทางด้านบน

การปรับการหนีบของแขนเลื่อน (รูปภาพประกอบ F)

กลไกเลื่อนของแขนเลื่อน (23) ถูกตั้งไว้ล่วงหน้าจากโรงงานและไม่ได้ทำการหนีบไว้เมื่อจัดตั้งเครื่องมือไฟฟ้า

ท่านสามารถปรับการหนีบของกลไกเลื่อนเฉพาะรายที่ตัวควบคุมการหนีบ (47):

- แข็ง - การเคลื่อนไหวทำงานที่ควบคุมได้มากกว่า
- นุ่ม - การตัดเลื่อยอย่างรวดเร็ว
- คลายสลกรูตั้งทั้งสองตัว (48) ออกด้วยประแจขันหกเหลี่ยม (4 มม.) (30) สำหรับการหนีบที่นุ่มกว่า
- หรือ
- ขันสลกรูตั้งทั้งสองตัว (48) เข้าให้แน่นขึ้นสำหรับการหนีบที่แข็งกว่า

- ในลักษณะนี้แขนเลื่อนที่ถูกดึงเข้ามาด้านหน้าทั้งหมด (23) จะถูกล๊อค

การเตรียมการทำงาน**การขยายโต๊ะเลื่อย (รูปภาพประกอบ C)**

ต้องรองรับหรือหนุนส่วนปลายของชิ้นงานที่มีขนาดยาวที่ลอยอยู่

สามารถขยายฐานรองรับชิ้นงานของโต๊ะเลื่อยได้ด้วยห่วงเหล็กขยาย (16) ไปทางด้านซ้ายหรือขวา

- ดันคันโยกหนีบ (18) เข้าด้านใน
- ดึงห่วงเหล็กขยาย (16) ออกจนกระทั่งได้ความยาวที่ต้องการ (สูงสุด 204 มม.)
- เมื่อต้องการล๊อคห่วงเหล็กขยาย ให้ดันคันโยกหนีบ (18) ออกด้านนอกอีกครั้ง

การเลื่อนแผ่นกัน (รูปภาพประกอบ D - E)**การหนีบชิ้นงาน (รูปภาพประกอบ G)**

เพื่อความปลอดภัยสูงสุดขณะทำงาน ต้องหนีบชิ้นงานให้แน่นหนาเสมอ

อย่าเลื่อยชิ้นงานที่มีขนาดเล็กมากที่ยึดหนีบไม่ได้

- กดชิ้นงานเข้าหาแผ่นกัน (8) อย่างมั่นคง
- ใส่แคลมป์ยึดวัสดุ (19) ที่จัดส่งมาเข้าในรูที่มีไว้สำหรับวัสดุประสงค์นี้ (49)
- หนีบชิ้นงานให้แน่นโดยหมุนก้านหมุนเกลียว (50)

การปรับมุมเอียงในแนวนอนและแนวตั้ง

เพื่อให้แน่ใจว่าจะตัดชิ้นงานได้อย่างแม่นยำ หลังการใช้งานหนักท่านต้องตรวจสอบการปรับพื้นฐานของเครื่องมือไฟฟ้า

และปรับตั้ง หากจำเป็น
สำหรับเรื่องนี้ท่านต้องมีประสบการณ์และเครื่องมือพิเศษที่
สอดคล้องกัน

ศูนย์บริการลูกค้า บอช

ให้บริการบำรุงรักษาได้รวดเร็วและเชื่อถือได้

► **ขันลูกบิดล็อค (11) ให้แน่นทุกครั้งก่อนทำการเลี้ยว** มิ
ฉะนั้นใบเลื่อยอาจติดขัดในชิ้นงานได้

การปรับมุมเอียงในแนวนอน

การปรับมุมเอียงมาตรฐานในแนวนอน (ดูภาพประกอบ H)

สำหรับการตั้งมุมเอียงในแนวนอนที่ไข้อยู่ให้ได้อัตโนมัติ
และแม่นยำให้ไขช่องกัก (14) ที่โต๊ะเลื่อย:

ซ้าย	ขวา
0°	
45°; 31.6°; 22.5°; 15°	15°; 22.5°; 31.6°; 45°; 60°

- คลายลูกบิดล็อค (11) ออกหากถูกขันแน่น
- ดึงคันปรับ (12) และหมุนโต๊ะเลื่อย (33) ไปทางซ้ายหรือ
ทางขวาดจนถึงช่องกักที่ต้องการ
- ปลดนิ้วจากคันปรับ คันปรับต้องขบเข้าในช่อง
กักอย่างรู้สึกได้
- ขันลูกบิดล็อค (11) กลับเข้าที่อีกครั้ง

การปรับมุมเอียงในแนวนอนทั้งหมด (ดูภาพประกอบ I)

มุมเอียงในแนวนอนสามารถตั้งได้ในช่วงตั้งแต่ 52° (ด้าน
ซ้าย) ถึง 60° (ด้านขวา)

- คลายลูกบิดล็อค (11) ออกหากถูกขันแน่น
- ดึงคันโยก (12) และในเวลาเดียวกันให้ดันตัวหยุดช่อง
กักมุม (10) ลง
คัน (12) จะถูกล็อคเข้าและโต๊ะเลื่อย
จะเคลื่อนได้อย่างอิสระ
- หมุนโต๊ะเลื่อย (33) ตรงลูกบิดล็อคไปทางซ้ายหรือทาง
ขวาดจนถึงมุม (51) แสดงมุมเอียงในแนวนอนที่ต้องการ
- ขันลูกบิดล็อค (11) กลับเข้าที่อีกครั้ง
- เมื่อต้องการคลายคันปรับ (12) อีกครั้ง (เพื่อปรับมุมเอียง
มาตรฐานในแนวนอน) ให้ดึงคันปรับขึ้น
ตัวหยุดช่องกักมุม (10) ดึงกลับไปที่ตำแหน่งเดิมอย่าง
รวดเร็ว และคันปรับ (12) สามารถขบเข้าในช่อง
กัก (14)

การปรับมุมเอียงในแนวตั้ง

ท่านสามารถปรับมุมเอียงในแนวตั้งในช่วงจาก 47° (ด้าน
ซ้าย) ถึง 47° (ด้านขวา)

ตัวหยุดสำหรับมุม 0°, 22.5° และ 45° และ 47° ถูกจัด
เตรียมไว้บนโต๊ะเลื่อยเพื่อให้สามารถปรับมุมเอียงในแนวตั้งที่
ใช้กันทั่วไปได้อย่างรวดเร็วและแม่นยำ

การปรับช่วงมุมเอียงในแนวตั้งด้านซ้าย (45° ถึง 0°)

L

- ดึงแผ่นกันปรับได้ด้านซ้าย (7) ออกมาด้านนอกทั้งหมด
- คลายค้ำหนีบ (13) ออก
- หมุนแขนเลื่อน (23) ตรงค้ำจับ (3) ไปทางซ้ายหรือทาง
ขวาดจนถึงมุม (28) แสดงมุมเอียงในแนวตั้งที่ต้องการ
- จับแขนเลื่อน (23) ไว้ในตำแหน่งนี้ และยึดค้ำ
หนีบ (13) กลับเข้าให้แน่นอีกครั้ง
แรงหนีบของค้ำหนีบต้องยึดตำแหน่งของแขนเลื่อนที่มุม
เอียงในแนวตั้งทั้งหมดไว้อย่างแน่นหนา

การปรับช่วงมุมเอียงในแนวตั้งด้านขวา (0° ถึง 45°) (ดู ภาพประกอบ J)

45°R

- ดึงแผ่นกันปรับได้ด้านขวาดึงแผ่นกันปรับได้ด้านขวา (7)
ออกมาด้านนอกทั้งหมด
- คลายค้ำหนีบ (13) ออก
- เอียงแขนเลื่อน (23) ตรงค้ำจับ (3) ออกจากตำแหน่ง
0° ไปทางซ้ายเล็กน้อย และหมุนลูกบิดหมุน (32) จนแสดง
ช่วงมุมเอียงในแนวตั้งที่ต้องการ
- หมุนแขนเลื่อน (23) ตรงค้ำจับ (3) ไปทางขวาดจนถึงมุม
มุม (21) แสดงมุมเอียงที่ต้องการ
- จับแขนเลื่อน (23) ไว้ในตำแหน่งนี้ และยึดค้ำ
หนีบ (13) กลับเข้าให้แน่นอีกครั้ง
แรงหนีบของค้ำหนีบต้องยึดตำแหน่งของแขนเลื่อนที่มุม
เอียงในแนวตั้งทั้งหมดไว้อย่างแน่นหนา

การปรับมุมเอียงมาตรฐานในแนวตั้ง 0°

เพื่อให้สามารถตั้งมุมเอียงมาตรฐานในแนว
ตั้ง 0° ได้อย่างง่ายดาย ลูกบิดหมุน (32) จะขบ
เข้าในช่วงมุมเอียงในแนวตั้งด้านซ้าย

- หมุนแขนเลื่อน (23) จากขวาดข้ามตำแหน่ง 0°

การปรับช่วงมุมเอียงในแนวตั้งทั้งหมด (-47° ถึง +47°)

47°

- ดึงส่วนขยายแผ่นกันปรับได้ทั้งสอง (7) ออกมาด้านนอก
ทั้งหมด
- คลายค้ำหนีบ (13) ออก
- เอียงแขนเลื่อน (23) ตรงค้ำจับ (3) ออกจากตำแหน่ง
0° ไปทางซ้ายเล็กน้อย และหมุนลูกบิดหมุน (32) จน
แสดงช่วงมุมเอียงในแนวตั้งที่ต้องการ

- หมุนแขนเลื่อน (23) ตรงตามจับ (3) ไปทางซ้ายหรือทางขวาจนเข็มชี้มุม (28) หรือ (21) แสดงมุมเอียงในแนวตั้งที่ต้องการ
- จับแขนเลื่อน (23) ไว้ในตำแหน่งนี้ และยึดคัมหมีบ (13) กลับเข้าให้แน่นอีกครั้ง แรงหนีบของคัมหมีบต้องยึดตำแหน่งของแขนเลื่อนที่มุมเอียงในแนวตั้งทั้งหมดไว้อย่างแน่นหนา

การปรับมุมเอียงมาตรฐานในแนวตั้ง 22.5° (ดูภาพประกอบ K)

ดิงลูกบิดปรับ (29) ออกมาด้านนอกทั้งหมด และหมุนลูกบิดไป 90° จากนั้นหมุนแขนเลื่อน (23) ตรงตามจับ (3) จนได้ยินเสียงแขนเลื่อนชนเข้าที่

การเริ่มต้นปฏิบัติงาน

เปิดสวิตช์ (ดูภาพประกอบ L)

- สำหรับการเปิดสวิตช์เครื่องมือไฟฟ้า ในเบื้องต้นให้เลื่อนปุ่มล็อค (4) ไปตรงกลาง จากนั้น ให้อัดสวิตช์เปิด-ปิด (52) และกดคางไว้

หมายเหตุ: ด้วยเหตุผลด้านความปลอดภัย จึงไม่สามารถล็อคสวิตช์เปิด-ปิด (52) ได้ จะต้องกดสวิตช์เปิด-ปิดตลอดเวลาปฏิบัติงาน

ปิดสวิตช์

- เมื่อต้องการปิดสวิตช์ให้ปล่อยนิ้วจากสวิตช์เปิด-ปิด (52)

การจำกัดกระแสไฟฟ้าเมื่อสตาร์ทเครื่อง

การจำกัดกระแสไฟฟ้าเมื่อสตาร์ทเครื่องด้วยระบบอิเล็กทรอนิกส์ช่วยลดความเสี่ยงการเปลี่ยนแปลงพลังงานไฟฟ้าขณะเปิดสวิตช์เครื่องมือไฟฟ้า และทำให้สามารถทำงานโดยใช้ฟิวส์ 16 แอมแปร์ได้

หมายเหตุ: หากเครื่องมือไฟฟ้าทำงานที่ความเร็วรอบเต็มที่ในทันทีที่เปิดสวิตช์ แสดงว่าระบบจำกัดกระแสไฟฟ้าเมื่อสตาร์ทเครื่องล้มเหลว ต้องส่งเครื่องมือไฟฟ้าไปยังศูนย์บริการลูกค้าทันที ที่อยู่: การบริการหลังการขายและการให้คำปรึกษาการใช้งาน

ข้อแนะนำในการทำงาน

คำแนะนำทั่วไปสำหรับการเลื่อย

- ▶ **ขันลูกบิดล็อค (11) และคัมหมีบ (13) เข้าให้แน่นก่อนเลื่อยเสมอ** มิฉะนั้นใบเลื่อยอาจติดขัดในชิ้นงานได้
- ▶ **ขันลูกบิดล็อค (11) และคัมหมีบ เข้าให้แน่นก่อนเลื่อยเสมอ** มิฉะนั้นใบเลื่อยอาจติดขัดในชิ้นงานได้
- ▶ **สำหรับการตัดทุกครั้ง ก่อนอื่นต้องทำให้มั่นใจว่าใบเลื่อยจะไม่ไปสัมผัสกับแผ่นกัน แคลมป์ยึดวัสดุ หรือส่วนอื่นๆ ของเครื่องในทุกลูก** นำตัวหยุดเสริมใดๆ ที่ติดตั้งออกไปหรือปรับให้เหมาะสม

ป้องกันใบเลื่อยไม่ให้ถูกกระทบกระแทก อย่างกัดใบเลื่อยลงทางด้านข้าง

เลื่อยเฉพาะวัสดุที่ได้รับอนุญาตในประโยชน์การใช้งานของเครื่องเท่านั้น

อย่าเลื่อยชิ้นงานที่บิดเบี้ยว ชิ้นงานต้องมีขอบตรงเสมอเพราะต้องประกบกับแผ่นกัน

ต้องหนุนส่วนปลายของชิ้นงานที่หนักและมีขนาดยาวที่ลอยอยู่

ตรวจสอบให้แน่ใจว่ากระบังป้องกันใบเลื่อยชนิดซักรันได้ทำงานอย่างถูกต้องและเคลื่อนไหวไปมาได้อย่างอิสระ เมื่อเลื่อยแนวเครื่องมือลง กระบังป้องกันใบเลื่อยชนิดซักรันได้ต้องเปิด เมื่อเลื่อยแนวเครื่องมือขึ้น กระบังป้องกันใบเลื่อยชนิดซักรันได้ต้องปิดครอบใบเลื่อยอีกครั้ง และล็อคอยู่ในตำแหน่งบนสุดของแขนเครื่องมือ

ตำแหน่งของผู้ใช้งานเครื่อง (ดูภาพประกอบ M)

▶ **อย่ายืนในแนวเดียวกับใบเลื่อยตรงหน้าเครื่อง** ต้องเสี่ยงไปทางด้านข้างใบเลื่อยเสมอ ในลักษณะนี้ร่างกายของท่านจะได้รับการปกป้องจากการตีกลับที่อาจเกิดขึ้น

- เอามือ นิ้ว และแขนออกห่างจากใบเลื่อยที่กำลังหมุน
- อย่าไขว้มือของท่านตรงด้านหน้าแขนเครื่องมือ

การเปลี่ยนแผ่นสอด (ดูภาพประกอบ P)

แผ่นสอดสีแดง (9) สามารถสลับหรือได้หลังใช้งานเครื่องมือไฟฟ้าเป็นเวลานาน

เปลี่ยนแผ่นสอดที่ชำรุด

- วางเครื่องในตำแหน่งทำงาน
- **ขันสกรู (53) ออกด้วยประแจขันหกเหลี่ยม (4 มม.) (30) และถอดแผ่นสอดอันเก่าออก**
- ใส่แผ่นสอดด้านขวาอันใหม่เข้า
- **ขันแผ่นสอดเข้าไปทางขวาให้มากที่สุดด้วยสกรู (53) เพื่อใบเลื่อยจะไม่ไปสัมผัสกับแผ่นสอดตลอดความยาวทั้งหมดที่ใส่ได้**
- ทำซ้ำขั้นตอนในลักษณะเดียวกันสำหรับแผ่นสอดด้านซ้าย

ขนาดชิ้นงานที่อนุญาต

ชิ้นงานสูงสุด:

มุมเอียงในแนว นอน	มุมเอียงในแนวตั้ง	สูง x กว้าง [มม.]
0°	0°	80 x 306
45°	0°	80 x 216
0°	45° (ซ้าย)	54 x 296
0°	45° (ขวา)	30 x 296
45°	45° (ซ้าย)	54 x 208

มุมเอียงในแนว มุมเอียงในแนวตั้ง สูง x กว้าง [มม.]
นอน

45° 45° (ขา) 30 x 208

ขนาดชิ้นงานต่ำสุด (= ชิ้นงานทั้งหมดที่สามารถหนีบเข้าทาง
ซ้ายหรือทางขวาจากใบเลื่อยด้วยแคลมป์ยึดวัสดุ (19) ที่จัด
ส่งมา): 145 x 306 มม. (ความยาว x ความกว้าง)

ความลึกการตัดสูงสุด (0°/0°): 100 มม.

การเลื่อย

การเลื่อยแบบไมล์โลด์ (การตัดออก) (รูปภาพประกอบ N)

- เลื่อนแขนเลื่อน (23) ไปทางด้านท้ายทั้งหมด และยึดให้
แน่นในตำแหน่งนี้
ตรวจสอบให้แน่ใจว่าก้านวัดความลึก (25) ถูกดันเข้าด้าน
ในทั้งหมด และสกรูปรับ (24) พอดีกับช่องเวาโดยไม่
สัมผัสก้านวัดความลึกเมื่อเคลื่อนแขนเลื่อน
- หนีบชิ้นงานตามขนาดของชิ้นงานให้แน่น
- ปรับตั้งมุมเอียงที่ต้องการ (แนวนอนและ/หรือแนวตั้ง)
หากจำเป็น
- เปิดสวิตช์เครื่องมือไฟฟ้า
- เลื่อนแขนเลื่อน (23) ตรงตามจับ (3) ลงอย่างช้าๆ
- เลื่อยผ่านชิ้นงานด้วยอัตราป้อนคงที่
- ปิดสวิตช์เครื่องมือไฟฟ้าและรอจนใบเลื่อยหยุดสนิท
- เลื่อนแขนเลื่อน (23) ขึ้นอย่างช้าๆ

การเลื่อยแบบสโลต (รูปภาพประกอบ O)

▶ จับตามจับอย่างมั่นคงก่อนเปิดสวิตช์และระหว่าง
กระบวนการเลื่อยทั้งหมด ขณะเลื่อย ให้ควบคุมการ
เคลื่อนไหวด้วยแขนเลื่อน ในช่วงเวลาที่ขาดความเอาใจใส่
แขนเลื่อนที่เคลื่อนย้ายได้ง่ายมากอาจทำให้ได้รับบาดเจ็บ
สาหัส

- การปลดแขนเลื่อน (23)
ตรวจสอบว่ากลไกเลื่อนทั้งหมดทำงานหรือไม่โดยสโลต
แขนเลื่อน (23) ไปมา
- หนีบชิ้นงานตามขนาดของชิ้นงานให้แน่น
- ปรับตั้งมุมเอียงที่ต้องการ (แนวนอนและ/หรือแนวตั้ง)
หากจำเป็น
- ดึงแขนเลื่อน (23) ตรงตามจับ (3) ออกจากแผ่นกัน (8)
จนใบเลื่อยอยู่ด้านหน้าชิ้นงาน
- เปิดสวิตช์เครื่องมือไฟฟ้า
- เลื่อนแขนเลื่อน (23) ตรงตามจับ (3) ลงอย่างช้าๆ
- ดันแขนเลื่อน (23) ไปในทิศทางแผ่นกัน (8) และเลื่อยผ่า
ชิ้นงานโดยการป้อนอย่างสม่ำเสมอ
- ปิดสวิตช์เครื่องมือไฟฟ้าและรอจนใบเลื่อยหยุดสนิท
- เลื่อนแขนเลื่อน (23) ขึ้นอย่างช้าๆ

การปรับก้านวัดความลึก (การเลื่อยเซาะร่อง) (รูปภาพประกอบ Q)

ต้องปรับก้านวัดความลึกเมื่อต้องการเลื่อยเซาะร่องหรือใช้
สเปเซอร์

- หมุนก้านวัดความลึก (25) ออกไปด้านนอก
- หมุนแขนเลื่อน (23) ตรงตามจับ (3) ไปยังตำแหน่งที่
ต้องการ
- หมุนสกรูปรับ (24) จนปลายสกรูลึบสัมผัสก้านวัดความลึก
(25)
- เลื่อนแขนเลื่อน (23) ขึ้นอย่างช้าๆ

ชิ้นงานพิเศษ

เมื่อต้องการตัดชิ้นงานที่มีรูปทรงโค้งงอหรือทรงกลม
ต้องยึดชิ้นงานเหล่านี้ให้แน่นเป็นพิเศษเพื่อป้องกันการสั่นไหว ที่
เส้นตัดต้องไม่มีช่องว่างระหว่างชิ้นงาน แผ่นกัน และโต๊ะเลื่อย
จัดเตรียมอุปกรณ์ยึดจับพิเศษ หากจำเป็น

การทำงานกับแผ่นรูปทรง

ท่านสามารถเลื่อยแผ่นรูปทรงได้สองแบบต่างๆ กัน:

การวาง ตำแหน่งของชิ้น งาน	ค้ำยันพื้น	ค้ำยันเพดาน
- ประกบกับแผ่น กัน		
- วางราบบนโต๊ะ เลื่อย		

นอกจากนี้ยังสามารถตัดแบบสโลตหรือไมล์โลดก็ได้ ทั้งนี้ขึ้น
อยู่กับความกว้างของแผ่นรูปทรง

ทดลองตั้งมุมเอียงที่ตั้งไว้ (แนวนอนและ/หรือแนวตั้ง)
กับเศษไม้ก่อนเสมอ

การตรวจสอบและปรับตั้งการปรับพื้นฐาน

เพื่อให้แน่ใจว่าจะตัดชิ้นงานได้อย่างแม่นยำ หลังการใช้งาน
หนักท่านต้องตรวจสอบการปรับพื้นฐานของเครื่องมือไฟฟ้า
และปรับตั้ง หากจำเป็น

สำหรับเรื่องนี้ท่านต้องมีประสบการณ์และเครื่องมือพิเศษที่
สอดคล้องกัน

ศูนย์บริการลูกค้า บอช

ให้บริการบำรุงรักษาได้รวดเร็วและเชื่อถือได้

การรับมุมเอียงมาตรฐานในแนวตั้ง 0°

- วางเครื่องในตำแหน่งขนาน

- หมุนโต๊ะเลื่อย (33) ไปจนถึงช่องกัก (14) สำหรับ 0° คำนปรับ (12) ต้องขบเข้าในช่องกักอย่างรู้สึกได้

การตรวจสอบ (คุณภาพประกอบ R1)

- ตั้งอุปกรณ์วัดมุมที่ 90° และวางไวนันโต๊ะเลื่อย (33)

ขาของอุปกรณ์วัดมุมต้องทาบเรียบกับใบเลื่อย (34) ตลอดความยาวทั้งหมด

การปรับ (คุณภาพประกอบ R2)

- คลายตามหนีบ (13) ออก
- คลายสกรูปรับทั้งสองตัว (54) ออก (อย่างน้อย 1 รอบ หมุน) ด้วยประแจบ็อกซ์ (10 มม.)
- คลายสกรูปรับ (56) ออก (ประมาณ 3 รอบหมุน) ด้วย ประแจขันหกเหลี่ยม (4 มม.) (30)
- ขันสกรูปรับ (55) เข้าหรือออกด้วยประแจขันหกเหลี่ยม (4 มม.) (30) จนขาของอุปกรณ์วัดมุมทาบเรียบกับใบ เลื่อยตลอดความยาวทั้งหมด
- ยึดตามหนีบ (13) กลับเข้าที่ให้แน่นอีกครั้ง จากนั้นให้ขัน สกรูปรับ (56) ก่อน แล้วจึงขันสกรูปรับ (54) กลับเข้าที่ให้แน่นอีกครั้ง

ในกรณีที่เมื่อปรับแล้วเข็มชี้มุม (28) และ (21) ไม่อยู่ใน แนวเส้นขีด 0° ของมาตราส่วน (27) ให้คลายสกรูยึดของ เข็มชี้มุมออกด้วยไขควงปากแฉก และวางแนวเข็มชี้มุมเทียบ กับเส้นขีด 0°

การปรับมุมเอียงมาตรฐานในแนวตั้ง 45° (ซ้าย)

- วางเครื่องในตำแหน่งทำงาน
- หมุนโต๊ะเลื่อย (33) ไปจนถึงช่องกัก (14) สำหรับ 0° คำนปรับ (12) ต้องขบเข้าในช่องกักอย่างรู้สึกได้
- ดึงแผ่นกันปรับไวด้านซ้าย (7) ออกมาด้านนอกทั้งหมด
- คลายตามหนีบ (13) ออก และหมุนแขนเลื่อนตรงด้ามจับ (3) ไปทางซ้ายจนสุด (45°)

การตรวจสอบ (คุณภาพประกอบ S1)

- ตั้งอุปกรณ์วัดมุมที่ 45° และวางไวนันโต๊ะเลื่อย (33)

ขาของอุปกรณ์วัดมุมต้องทาบเรียบกับใบเลื่อย (34) ตลอดความยาวทั้งหมด

การปรับ (คุณภาพประกอบ S2)

- ขันสกรูปรับ (57) เข้าหรือออกด้วยประแจปากตาย (8 มม.) จนขาของอุปกรณ์วัดมุมทาบเรียบกับใบเลื่อย ตลอดความยาวทั้งหมด
- ยึดตามหนีบ (13) กลับเข้าที่ให้แน่นอีกครั้ง

ในกรณีที่เมื่อปรับแล้วเข็มชี้มุม (28) และ (21) ไม่อยู่ในแนว เส้นขีด 45° ของมาตราส่วน (27) ในขั้นแรกให้ตรวจสอบ การตั้ง 0° สำหรับมุมเอียงในแนวตั้งและเข็มชี้มุมอีกครั้ง จากนั้นจึงปรับขั้วมุมเอียงในแนวตั้ง 45°

การปรับมุมเอียงมาตรฐานในแนวตั้ง 45° (ขวา)

- วางเครื่องในตำแหน่งทำงาน
- หมุนโต๊ะเลื่อย (33) ไปจนถึงช่องกัก (14) สำหรับ 0° คำนปรับ (12) ต้องขบเข้าในช่องกักอย่างรู้สึกได้
- ดึงแผ่นกันปรับไวด้านขวา (7) ออกมาด้านนอกทั้งหมด
- คลายตามหนีบ (13) ออก
- เอียงแขนเลื่อนตรงด้ามจับ (3) ออกจากตำแหน่ง 0° ไปทางซ้ายเล็กน้อย และหมุนลูกบิดหมุน (32) จนแสดงช่วงมุมเอียงในแนวตั้งด้านขวา
- หมุนแขนเลื่อนตรงด้ามจับ (3) ไปทางขวาจนสุด (45°)

การตรวจสอบ (คุณภาพประกอบ T1)

- ตั้งอุปกรณ์วัดมุมที่ 135° และวางไวนันโต๊ะเลื่อย (33)

ขาของอุปกรณ์วัดมุมต้องทาบเรียบกับใบเลื่อย (34) ตลอดความยาวทั้งหมด

การปรับ (คุณภาพประกอบ T2)

- ขันสกรูปรับ (58) เข้าหรือออกด้วยประแจปากตาย (8 มม.) จนขาของอุปกรณ์วัดมุมทาบเรียบกับใบเลื่อย ตลอดความยาวทั้งหมด
- ยึดตามหนีบ (13) กลับเข้าที่ให้แน่นอีกครั้ง

ในกรณีที่เมื่อปรับแล้วเข็มชี้มุม (28) และ (21) ไม่อยู่ในแนว เส้นขีด 45° ของมาตราส่วน (27) ในขั้นแรกให้ตรวจสอบ การตั้ง 0° สำหรับมุมเอียงในแนวตั้งและเข็มชี้มุมอีกครั้ง จากนั้นจึงปรับขั้วมุมเอียงในแนวตั้ง 45°

การปรับแนวมาตราส่วนมุมเอียงในแนวนอน

- วางเครื่องในตำแหน่งทำงาน
- หมุนโต๊ะเลื่อย (33) ไปจนถึงช่องกัก (14) สำหรับ 0° คำนปรับ (12) ต้องขบเข้าในช่องกักอย่างรู้สึกได้

การตรวจสอบ (คุณภาพประกอบ U1)

- ปรับอุปกรณ์วัดมุมไปที่ 90° และวางไวยาระหว่างแผ่นกัน (8) และใบเลื่อย (34) บนโต๊ะเลื่อย (33)

ขาของอุปกรณ์วัดมุมต้องทาบเรียบกับใบเลื่อย (34) ตลอดความยาวทั้งหมด

การปรับ (คุณภาพประกอบ U2)

- คลายสกรูตั้งตั้งสี่ตัว (59) ออกด้วยประแจขันหกเหลี่ยม (4 มม.) (30) และหมุนโต๊ะเลื่อย (33) พร้อมกับ มาตราส่วน (31) จนขาของอุปกรณ์วัดมุมทาบเรียบกับใบ เลื่อยตลอดความยาวทั้งหมด
- ขันสกรูกลับให้แน่นอีกครั้ง

ในกรณีที่เมื่อปรับแล้วเข็มชี้มุม (51) ไม่อยู่ในแนวเส้นขีด 0° ของมาตราส่วน (31) ให้คลายสกรู (60) ออก ด้วยไขควงปากแฉก และวางแนวเข็มชี้มุมเทียบกับเส้นขีด 0°

การปรับแรงหนีบของคันทัน (13) (คุณภาพประกอบ V)

ท่านสามารถปรับแรงหนีบของคันทัน (13) ได้

การตรวจสอบ

- แรงหนีบของค้ำหนีบต้องยึดตำแหน่งของแขนเลื่อนที่มุมเอียงในแนวตั้งทั้งหมดไว้อย่างแน่นหนา

การปรับ

- คลายค้ำหนีบ (13) ออก
- หมุนสกรูปรับ (61) ในทิศทางเข็มนาฬิกาด้วยประแจบ็อกซ์ (17 มม.) เพื่อลดแรงหนีบ หรือหมุนในทิศตามเข็มนาฬิกาเพื่อเพิ่มแรงหนีบ
- ปรับมุมเอียงในแนวตั้ง ยึดค้ำหนีบ (13) กลับเข้าที่แน่นอีกครั้ง และตรวจสอบว่าได้แรงหนีบที่ต้องการแล้วหรือไม่

การขนย้าย (ดูภาพประกอบ W)

ก่อนขนย้ายเครื่องมือไฟฟ้าต้องทำตามขั้นตอนต่อไปนี้:

- เลื่อนแขนเลื่อน (23) ไปทางด้านท้ายทั้งหมด และยึดให้แน่นในตำแหน่งนี้ (ดู "การรีดแขนเลื่อน" หน้า 23) ที่อยู่ด้านหลังหรือด้านข้างสั้นๆ
- ตรวจสอบให้แน่ใจว่าก้านวัดความลึก (25) ถูกดันเข้าด้านในทั้งหมด และสกรูปรับ (24) พอดีกับช่องเว้าโดยไม่มีสัมผัสก้านวัดความลึกเมื่อเคลื่อนแขนเลื่อน
- เลื่อนแขนเลื่อนลงไปจนสามารถดันล้อคั่นรอกสำหรับขนย้าย (26) เข้าด้านในทั้งหมด
- เลื่อนหัวเหล็กขยาย (16) เข้าด้านใน
- ตั้งมุมเอียงในแนวตั้งไปที่ 0° และยึดค้ำหนีบ (13) เข้าให้แน่น
- หมุนโต๊ะเลื่อย (33) ไปทางซ้ายจนสุด และหมุนลูกบิดล้อค (11) เข้าให้แน่น
- มัดสายไฟฟ้าด้วยสายรัดตีนตุ๊กแก (62)
- ถอดอุปกรณ์ประกอบทั้งหมดที่ไม่สามารถติดตั้งกับเครื่องมือไฟฟ้าได้อย่างแน่นหนา
- หากเป็นไปได้ให้ขนย้ายใบเลื่อยที่ไม่ใช้งานโดยใส่ในภาชนะบรรจุที่ปิดฝา
- ยกจับเครื่องมือไฟฟ้า โดยจับด้านเว้า (17) ที่ด้านข้างของโต๊ะเลื่อย
- ▶ เมื่อขนย้ายเครื่องมือไฟฟ้า ให้ยกจับที่อุปกรณ์สำหรับขนย้ายเท่านั้น และอย่ายกจับที่อุปกรณ์ป้องกันอันตราย แขนเลื่อน (23) หรือค้ำจับ (3)

การบำรุงรักษาและการบริการ

การบำรุงรักษาและการทำความสะอาด

- ▶ ดึงปลั๊กไฟออกจากเต้าเสียบก่อนปรับแต่งเครื่อง

▶ เพื่อให้ทำงานได้อย่างถูกต้องและปลอดภัย ต้องรักษาเครื่องและช่องระบายอากาศให้สะอาดอยู่เสมอ

หากจำเป็นต้องเปลี่ยนสายไฟฟ้า ต้องส่งเครื่องให้ Bosch หรือศูนย์บริการหลังการขายที่ได้รับมอบหมายสำหรับเครื่องมือไฟฟ้า Bosch เปลี่ยนให้ ทั้งนี้เพื่อหลีกเลี่ยงอันตราย กระบังป้องกันใบเลื่อยชนิดชักร่นได้ต้องเคลื่อนไหวไปมาได้อย่างอิสระและร่นบิดได้โดยอัตโนมัติตลอดเวลา ดังนั้นต้องรักษาบริเวณรอบๆ กระบังป้องกันใบเลื่อยชนิดชักร่นได้ให้สะอาดอยู่เสมอ

หลังเสร็จงานทุกครั้ง ให้เอาผง

ฝุ่นและเศษออกโดยเป่าด้วยอากาศอัดหรือใช้แปรงปรับ

- ทำความสะอาดลูกกลิ้ง (20) และแขนเลื่อน (23) เป็นประจำ

อุปกรณ์ประกอบ

	หมายเลขสินค้า
แคลมป์ยึดวัสดุ	1 609 B06 203
แผ่นสอด	1 609 B04 263
	1 609 B04 264
ถุงเก็บผง	1 609 B02 595
ข้อต่อท่อดูดออก	2 607 001 977

ใช้สำหรับประเภทต่อไปนี้:

3 601 M27 04./... 0L./... 08./... 0B./... 0K.

ใบเลื่อยสำหรับไม้และวัสดุที่เป็นแผ่น แผ่นกระดาน และแผ่นไม้อาย/คิ้วบัว

ใบเลื่อย 254 x 25.4 มม. 40 ซี่ฟัน 2 608 676 047

ใบเลื่อยสำหรับไม้เนื้อแข็ง วัสดุผสม พลาสติก และโลหะนอกกลุ่มเหล็ก

ใบเลื่อย 254 x 25.4 มม. 40 ซี่ฟัน 2 608 640 969

ใบเลื่อย 254 x 25.4 มม. 40 ซี่ฟัน 2 608 640 970

ใบเลื่อย 254 x 25.4 มม. 40 ซี่ฟัน 2 608 640 971

ใช้สำหรับประเภทต่อไปนี้:

3 601 M27 00./... 03./... 07./... 06.

ใบเลื่อยสำหรับไม้และวัสดุที่เป็นแผ่น แผ่นกระดาน และแผ่นไม้อาย/คิ้วบัว

ใบเลื่อย 254 x 30 มม. 40 ซี่ฟัน 2 608 642 530

ใบเลื่อยสำหรับไม้เนื้อแข็ง วัสดุผสม พลาสติก และโลหะนอกกลุ่มเหล็ก

ใบเลื่อย 254 x 30 มม. 80 ซี่ฟัน 2 608 642 528

การบริการหลังการขายและการให้คำปรึกษาการใช้งาน

ศูนย์บริการหลังการขายของเรายินดีตอบคำถามของท่านที่เกี่ยวกับการบำรุงรักษาและการซ่อมแซมผลิตภัณฑ์รวมทั้งเรื่องอะไหล่ ภาพเขียนแบบการประกอบและข้อมูลเกี่ยวกับอะไหล่ กรุณาดูใน: www.bosch-pt.com

ทีมงานที่ปรึกษาของ บอช ยินดีให้ข้อมูลเกี่ยวกับผลิตภัณฑ์ของเราและอุปกรณ์ประกอบต่างๆ

เมื่อต้องการสอบถามและสั่งซื้ออะไหล่ กรุณาแจ้งหมายเลขสินค้า 10 หลักบนแผ่นป้ายรุ่นของผลิตภัณฑ์ทุกครั้ง

ไทย

ไทย บริษัท โรเบิร์ต บอช จำกัด

เอพวยไอ เซ็นเตอร์ อาคาร 1 ชั้น 5

เลขที่ 2525 ถนนพระราม 4

แขวงคลองเตย เขตคลองเตย กรุงเทพฯ 10110

โทร: +66 2012 8888

แฟกซ์: +66 2064 5800

www.bosch.co.th

ศูนย์บริการซ่อมและฝึกอบรม บอช

อาคาร ลาซาลทาวเวอร์ ชั้น G ห้องเลขที่ 2

บ้านเลขที่ 10/11 หมู่ 16

ถนนศรีนครินทร์ ตำบลบางแก้ว อำเภอบางพลี

จังหวัดสมุทรปราการ 10540

ประเทศไทย

โทรศัพท์ 02 7587555

โทรสาร 02 7587525

สามารถดูที่อยู่ศูนย์บริการอื่นๆ ได้ที่:

www.bosch-pt.com/serviceaddresses

การกำจัดขยะ

เครื่องมือไฟฟ้า อุปกรณ์ประกอบ และที่บล็อ ดึงนำ

ไปแยกประเภทวัสดุเพื่อการรีไซเคิลที่เป็นมิตรต่อสิ่งแวดล้อม



อย่าทิ้งเครื่องมือไฟฟ้าลงในขยะครัวเรือน!

Bahasa Indonesia

Petunjuk Keselamatan

Petunjuk Keselamatan Umum Perkakas Listrik

⚠ PERINGATAN Baca semua peringatan, petunjuk, ilustrasi, dan spesifikasi

keselamatan yang diberikan bersama perkakas listrik

ini. Kesalahan dalam menjalankan petunjuk di bawah ini dapat mengakibatkan sengatan listrik, kebakaran, dan/atau cedera serius.

Simpanlah semua peringatan dan petunjuk untuk penggunaan di masa mendatang.

Istilah "perkakas listrik" dalam peringatan mengacu pada perkakas listrik yang dioperasikan dengan listrik (menggunakan kabel) atau perkakas listrik yang dioperasikan dengan baterai (tanpa kabel).

Keamanan tempat kerja

- ▶ **Jaga kebersihan dan pencahayaan area kerja.** Area yang berantakan atau gelap dapat memicu kecelakaan.
- ▶ **Jangan mengoperasikan perkakas listrik di lingkungan yang dapat memicu ledakan, seperti adanya cairan, gas, atau debu yang mudah terbakar.** Perkakas listrik dapat memancarkan bunga api yang kemudian mengakibatkan debu atau uap terbakar.
- ▶ **Jauhkan dari jangkauan anak-anak dan pengamat saat mengoperasikan perkakas listrik.** Gangguan dapat menyebabkan hilangnya kendali.

Keamanan listrik

- ▶ **Steker perkakas listrik harus sesuai dengan stopkontak. Jangan pernah memodifikasi steker. Jangan menggunakan steker adaptor bersama dengan perkakas listrik yang terhubung dengan sistem grounding.** Steker yang tidak dimodifikasi dan stopkontak yang cocok akan mengurangi risiko sengatan listrik.
- ▶ **Hindari kontak badan dengan permukaan yang terhubung dengan sistem grounding, seperti pipa, radiator, kompor, dan lemari es.** Terdapat peningkatan risiko terjadinya sengatan listrik jika badan Anda terhubung dengan sistem grounding.
- ▶ **Perkakas listrik tidak boleh terpapar hujan atau basah.** Air yang masuk ke dalam perkakas listrik menambah risiko terjadinya sengatan listrik.
- ▶ **Jangan menyalahgunakan kabel. Jangan gunakan kabel untuk membawa, menarik, atau melepas steker perkakas listrik. Jauhkan kabel dari panas, minyak, tepi yang tajam, atau komponen yang bergerak.** Kabel listrik yang rusak atau tersangkut menambah risiko terjadinya sengatan listrik.
- ▶ **Saat mengoperasikan perkakas listrik di luar ruangan, gunakan kabel ekstensi yang sesuai untuk penggunaan di luar ruangan.** Penggunaan kabel yang cocok untuk pemakaian di luar ruangan mengurangi risiko terjadinya sengatan listrik.
- ▶ **Jika perkakas listrik memang harus dioperasikan di tempat yang lembap, gunakan pemutus arus listrik residu (RCD).** Penggunaan RCD akan mengurangi risiko terjadinya sengatan listrik.

Keselamatan personel

- ▶ **Tetap waspada, perhatikan aktivitas yang sedang dikerjakan dan gunakan akal sehat saat**

mengoperasikan perkakas listrik. Jangan gunakan perkakas listrik saat mengalami kelelahan atau di bawah pengaruh narkoba, alkohol, atau obat-obatan.

Jika perkakas listrik dioperasikan dengan daya konsentrasi yang rendah, hal tersebut dapat menyebabkan cedera serius.

- ▶ **Gunakan peralatan pelindung diri. Selalu kenakan pelindung mata.** Penggunaan perlengkapan pelindung seperti penutup telinga, helm, sepatu anti licin, dan masker debu akan mengurangi cedera.
- ▶ **Hindari start yang tidak disengaja. Pastikan switch berada di posisi off sebelum perkakas listrik dihubungkan ke sumber daya listrik dan/atau baterai, diangkat, atau dibawa.** Membawa perkakas listrik dengan jari menempel pada tombol atau perkakas listrik dalam keadaan hidup dapat memicu kecelakaan.
- ▶ **Singkirkan kunci penyetel atau kunci pas sebelum menghidupkan perkakas listrik.** Perkakas atau kunci pas yang masih menempel pada komponen perkakas listrik yang berputar dapat menyebabkan cedera.
- ▶ **Jangan melampaui batas. Berdirilah secara mantap dan selalu jaga keseimbangan.** Hal ini akan memberikan kontrol yang lebih baik terhadap perkakas listrik pada situasi yang tak terduga.
- ▶ **Kenakan pakaian dengan wajar. Jangan mengenakan perhiasan atau pakaian yang longgar. Jauhkan rambut dan pakaian dari komponen yang bergerak.** Pakaian yang longgar, rambut panjang, atau perhiasan dapat tersangkut dalam komponen yang bergerak.
- ▶ **Jika disediakan perangkat untuk sambungan pengisapan debu dan alat pengumpulan, pastikan perangkat tersebut terhubung dan digunakan dengan benar.** Penggunaan alat pengumpulan dapat mengurangi bahaya yang disebabkan oleh debu.
- ▶ **Jangan berpuas diri dan mengabaikan prinsip keselamatan karena terbiasa mengoperasikan perkakas.** Tindakan yang kurang hati-hati dapat mengakibatkan cedera serius dalam waktu sepersekian detik.

Penggunaan dan pemeliharaan perkakas listrik

- ▶ **Jangan memaksakan perkakas listrik. Gunakan perkakas listrik yang sesuai untuk pekerjaan yang dilakukan.** Perkakas listrik yang sesuai akan bekerja dengan lebih baik dan aman sesuai tujuan penggunaan.
- ▶ **Jangan gunakan perkakas listrik dengan switch yang tidak dapat dioperasikan.** Perkakas listrik yang switchnya yang tidak berfungsi dapat menimbulkan bahaya dan harus diperbaiki.
- ▶ **Lepaskan steker dari sumber listrik dan/atau lepas baterai, jika dapat dilepaskan dari perkakas listrik sebelum menyetel, mengganti aksesoris, atau menyimpan perkakas listrik.** Tindakan preventif akan mengurangi risiko menghidupkan perkakas listrik secara tidak disengaja.
- ▶ **Jauhkan dan simpan perkakas listrik dari jangkauan anak-anak dan jangan biarkan orang-orang yang tidak**

mengetahui cara menggunakan perkakas listrik, mengoperasikan perkakas listrik. Perkakas listrik dapat membahayakan jika digunakan oleh orang-orang yang tidak terlatih.

- ▶ **Lakukan pemeliharaan perkakas listrik dan aksesoris. Periksa komponen yang bergerak apabila tidak lurus atau terikat, kerusakan komponen, dan kondisi lain yang dapat mengganggu pengoperasian perkakas listrik. Apabila rusak, perbaiki perkakas listrik sebelum digunakan.** Kecelakaan sering terjadi karena perkakas listrik tidak dirawat dengan baik.
- ▶ **Jaga ketajaman dan kebersihan alat.** Alat pemotong dengan pisau pemotong yang tajam dan dirawat dengan baik tidak akan mudah tersangkut dan lebih mudah dikendalikan.
- ▶ **Gunakan perkakas listrik, aksesoris, dan komponen perkakas dll sesuai dengan petunjuk ini, dengan mempertimbangkan kondisi kerja dan pekerjaan yang akan dilakukan.** Penggunaan perkakas listrik untuk tujuan berbeda dari fungsinya dapat menyebabkan situasi yang berbahaya.
- ▶ **Jaga gagang dan permukaan genggam agar tetap kering, bersih, dan bebas dari minyak dan lemak.** Gagang dan permukaan genggam yang licin tidak menjamin keamanan kerja dan kontrol alat yang baik pada situasi yang tidak terduga.

Servis

- ▶ **Minta teknisi berkualifikasi untuk menyervis perkakas listrik dengan hanya menggunakan suku cadang yang identik.** Dengan demikian, hal ini akan memastikan keamanan perkakas listrik.

Petunjuk Keselamatan untuk Gergaji Miter (Mitre Saw)

- ▶ **Gergaji miter ditujukan untuk memotong kayu atau produk berbahan sejenis kayu. Gergaji ini tidak dapat digunakan dengan cakram pemotong abrasif untuk memotong material dari besi seperti batang, tongkat, tiang, dll.** Debu abrasif menyebabkan komponen yang bergerak, seperti pelindung bagian bawah, menjadi tersendat. Percikan api dari pemotongan abrasif akan membakar pelindung bawah, sisipan kerf dan bagian berbahan plastik lainnya.
- ▶ **Jika mungkin, gunakan penjepit untuk menyokong benda kerja. Jika benda kerja dipegang dengan tangan, Anda harus selalu menjaga jarak tangan Anda setidaknya 100 mm dari masing-masing bilah gergaji. Jangan menggunakan gergaji ini untuk memotong benda yang terlalu kecil meski dijepit dengan aman atau dipegang dengan tangan.** Jika tangan berada terlalu dekat dengan bilah gergaji, akan terdapat risiko cedera yang lebih tinggi karena kontak dengan bilah.
- ▶ **Benda kerja harus dalam keadaan tidak bergerak dan dijepit atau dipegang dengan ditekan ke pelindung dan ke meja. Jangan mengumpalkan benda kerja secara bebas ke bilah atau memotong dengan tangan**

kosong dengan cara apa pun. Benda kerja yang bebas atau bergerak dapat terlempar dengan kecepatan tinggi, dan menyebabkan cedera.

- ▶ **Tekan gergaji dengan mendorongnya ke benda kerja. Jangan memotong dengan menarik gergaji pada benda kerja. Untuk memotong, angkat kepala gergaji dan tarik keluar ke atas benda kerja tanpa memotongnya, lalu hidupkan mesin, tekan kepala gergaji ke bawah dan kemudian dorong sambil menekan gergaji ke benda kerja.** Memotong dengan pull stroke (menarik gergaji sambil ditekan ke benda kerja) dapat menyebabkan bilah gergaji naik ke atas benda kerja dan rakitan bilah terlempar dengan keras ke arah operator.
- ▶ **Jangan pernah menyalangkan tangan pada garis yang hendak dipotong baik di depan maupun di belakang bilah gergaji.** Memegang benda kerja dengan "tangan menyalang" yaitu memegang benda kerja di sebelah kanan bilah gergaji dengan tangan kiri, atau sebaliknya, sangatlah berbahaya.
- ▶ **Jangan mencoba meraih ke belakang pelindung kurang dari 100 mm dari masing-masing bilah gergaji dengan tangan, guna melepaskan potongan kayu, atau karena alasan lainnya saat bilah sedang berputar.** Jarak bilah gergaji yang berputar ke tangan dapat menjadi tidak mudah terlihat dan dapat menyebabkan cedera serius.
- ▶ **Teliti benda kerja sebelum memotong. Jika benda kerja bengkok atau melengkung, jepitlah dengan bagian luar yang melengkung menghadap ke pelindung. Selalu pastikan bahwa tidak terdapat celah antara benda kerja, pelindung dan meja sepanjang garis pemotongan.** Benda kerja yang bengkok atau melengkung dapat berputar atau bergeser dan dapat menyebabkan lilitan pada bilah gergaji yang berputar saat pemotongan. Tidak boleh terdapat paku atau benda asing di dalam benda kerja.
- ▶ **Jangan gunakan gergaji sampai meja bebas dari semua peralatan, potongan kayu, dll. selain benda kerja.** Puing-puing kecil atau potongan-potongan kayu yang terlepas atau objek lainnya yang mengenai bilah yang berputar dapat terlempar dengan kecepatan tinggi.
- ▶ **Potonglah hanya satu benda kerja dalam satu waktu.** Benda kerja yang ditumpuk tidak dapat dijepit atau ditahan dengan benar dan dapat melilit pada bilah atau bergeser selama pemotongan.
- ▶ **Pastikan gergaji miter dipasang atau ditempatkan pada permukaan kerja yang kuat dan rata sebelum digunakan.** Permukaan kerja yang kuat dan rata akan membuat gergaji miter tidak mudah goyah.
- ▶ **Buatlah rencana kerja. Setiap kali Anda mengubah setelan kemiringan atau sudut 45 derajat (mitre angle), pastikan pelindung yang dapat disetel telah disesuaikan dengan benar untuk menyokong benda kerja dan tidak akan mengganggu bilah atau sistem pelindung.** Gerakkan bilah gergaji untuk menyimulasikan satu potongan penuh tanpa menekan tombol "ON" dan tanpa adanya benda kerja di meja untuk memastikan tidak akan terdapat gangguan atau bahaya terpotongnya pelindung.
- ▶ **Sediakan sokongan yang memadai seperti meja tambahan, kuda-kuda penyangga, dll untuk benda kerja yang berukuran lebih lebar atau lebih panjang dari permukaan meja.** Benda kerja yang berukuran lebih lebar atau lebih panjang dari meja gergaji miter dapat terbalik jika tidak disokong dengan aman. Jika benda yang terpotong atau benda kerja terbalik, benda dapat mencabut pelindung bawah atau terlempar oleh bilah yang berputar.
- ▶ **Jangan meminta orang lain untuk menjadi penyokong sebagai pengganti meja tambahan.** Penyokong untuk benda kerja yang goyah dapat menyebabkan bilah melilit atau benda kerja bergeser selama operasi pemotongan dan menarik Anda dan asisten Anda menuju ke bilah yang berputar.
- ▶ **Bagian yang dipotong tidak boleh mendesak atau ditekan, dengan alat apa pun, ke bilah gergaji yang berputar.** Jika terperangkap, yaitu karena menggunakan pembatas (length stop), bagian yang dipotong dapat terjepit dan menekan bilah lalu terlempar dengan keras.
- ▶ **Selalu gunakan penjepit atau dukungan yang dirancang untuk menyokong dengan baik benda berbentuk bundar seperti tangkai silinder atau pipa.** Tangkai silinder memiliki kecenderungan tergulir saat dipotong, yang menyebabkan bilah menusuk dan menarik benda kerja maupun tangan Anda menuju ke bilah.
- ▶ **Biarkan bilah mencapai kecepatan penuh sebelum menyentuh benda kerja.** Hal ini akan mengurangi risiko terlemparnya benda kerja.
- ▶ **Jika benda kerja atau bilah mengalami kemacetan, matikan gergaji miter. Tunggulah hingga semua bagian yang bergerak berhenti dan cabut steker dari sumber daya dan/atau lepas baterai. Lalu bebaskan benda yang macet.** Meneruskan memotong dengan benda kerja yang terjepit dapat menyebabkan gergaji miter kehilangan kendali atau rusak.
- ▶ **Setelah selesai memotong, lepaskan switch, turunkan kepala gergaji, dan tunggu hingga bilah gergaji berhenti sebelum mengangkat benda yang dipotong.** Meraih dengan tangan di dekat bilah yang berjalan sangatlah berbahaya.
- ▶ **Genggam pegangan dengan kuat saat memotong sebagian atau saat melepas switch sebelum kepala gergaji benar-benar di posisi bawah.** Tindakan pengereman gergaji dapat menyebabkan kepala gergaji tiba-tiba tertarik ke bawah, yang menyebabkan risiko cedera.
- ▶ **Jaga tempat pengerjaan tetap bersih.** Campuran bahan yang berserakan cukup berbahaya. Debu logam yang kecil dapat terbakar atau menimbulkan ledakan.
- ▶ **Jangan menggunakan mata gergaji yang tumpul, retak, bengkok, atau rusak. Mata gergaji dengan gigi-gigi yang tumpul atau bengkok mengakibatkan celah pemotongan terlalu sempit sehingga terjadi gesekan**

yang terlalu tinggi, mata gergaji terjepit, dan terjadi sentakan.

- ▶ **Jangan menggunakan mata gergaji yang terbuat dari baja kecepatan tinggi (baja HSS).** Mata gergaji dari bahan ini mudah patah.
- ▶ **Selalu gunakan bilah gergaji dengan ukuran dan bentuk lubang poros yang sesuai (belah ketupat versus bulat).** Bilah gergaji yang tidak sesuai dengan perangkat keras yang terpasang pada gergaji akan bergerak tidak simetris dan mengakibatkan kehilangan kendali.
- ▶ **Jangan pernah menyingkirkan sisa-sisa pemotongan, serbuk kayu, dan semacamnya dari bidang pemotongan jika perkakas listrik dalam keadaan hidup.** Gerakan kepala perkakas selalu ke posisi normal dahulu dan kemudian matikan perkakas listrik.
- ▶ **Setelah digunakan, jangan memegang mata gergaji yang masih panas, tungguhlah hingga menjadi dingin.** Selama penggunaannya, mata gergaji menjadi sangat panas.

Simbol-simbol

Simbol-simbol berikut dapat membantu Anda dalam menggunakan perkakas listrik. Pelajari dan ingat simbol-simbol berikut beserta maknanya. Pengertian yang betul dari simbol-simbol ini bisa membantu Anda untuk menggunakan perkakas listrik dengan lebih baik dan aman.

Simbol dan artinya



Jangan mendekatkan tangan Anda pada area pemotongan saat perkakas listrik beroperasi. Terdapat risiko cedera saat menyentuh mata gergaji.



Kenakan masker pelindung debu.



Kenakan kaca pelindung.



Pakailah pelindung telinga. Suara bising dapat menyebabkan daya pendengaran berkurang.



Area berbahaya! Jauhkan tangan, jari atau lengan dari area ini.

Simbol dan artinya



Jangan mendekatkan jari-jari Anda pada komponen yang bergerak pada lengan geser. Jari-jari dapat terjepit sehingga mengalami cedera parah.

3 601 M27 04.

3 601 M27 0L.

3 601 M27 0B.

3 601 M27 0B.

3 601 M27 0K.

∅ 254mm ∅ 25.4mm

3 601 M27 00.

3 601 M27 03.

3 601 M27 06.

3 601 M27 07.

∅ 254mm ∅ 30mm

Perhatikan ukuran mata gergaji.

Diameter lubang harus sesuai dengan poros perkakas dan tidak goyah. Jika penggunaan reduktor diperlukan, pastikan ukuran reduktor sesuai dengan ketebalan bilah baja, diameter lubang pada mata gergaji serta diameter poros perkakas. Sebisanya mungkin gunakan reduktor yang disediakan dengan mata gergaji. Diameter mata gergaji harus sesuai dengan informasi pada simbol.



Untuk mengangkat, pegang perkakas listrik hanya pada bagian-bagian yang ditandai ini (lekukan tempat memegang).



Jangan pernah membawa perkakas listrik dengan memegang gagang lengan geser.



Pada sudut mitre vertikal, ekstensi rel pembatas kiri maupun kanan harus digeser atau dilepaskan sepenuhnya.



Gagang pengencang terbuka: Sudut mitre vertikal dapat diatur.



Gagang pengencang tertutup: Sudut mitre vertikal yang telah diatur dari lengan geser akan ditahan.



Menggambar setiap langkah untuk mengatur sudut mitre vertikal.

1. Kendurkan gagang pengencang
2. Gerakan sedikit lengan geser ke kiri
3. Atur rentang sudut mitre vertikal yang diinginkan pada kenop putar



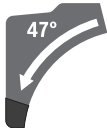
Mengatur rentang sudut mitre vertikal pada kenop putar:

L

Kemiringan mata gergaji ke kiri (45° hingga 0°)

45°R

Kemiringan mata gergaji ke kanan (0° hingga 45°)

Simbol dan artinya

Total area gerak lengan geser (-47° hingga +47°)



Untuk mengatur setiap sudut mitre horizontal, meja potong harus dapat digerakkan secara bebas atau freewheel sudut harus dikunci:



– Tarik tuas ❶ dan tekan freewheel sudut depan ke bawah secara bersamaan ❷.

Spesifikasi produk dan performa

Bacalah semua petunjuk keselamatan dan petunjuk penggunaan. Kesalahan dalam menjalankan petunjuk keselamatan dan petunjuk penggunaan dapat mengakibatkan kontak listrik, kebakaran, dan/atau luka-luka

yang berat.

Perhatikan ilustrasi yang terdapat pada sisi sampul panduan pengoperasian.

Tujuan penggunaan

Perkakas listrik ini digunakan sebagai perkakas tetap, cocok untuk memotong dalam arah memanjang dan melintang dengan pemotongan tegak lurus pada kayu. Dengan begitu dapat diatur sudut potong horizontal sebesar -52° hingga +60° begitu pula sudut potong vertikal sebesar 47° (sisi kiri) hingga 47° (sisi kanan).

Kapasitas perkakas listrik sesuai untuk memotong kayu keras dan kayu lunak serta papan partikel dan fiberboard. Jika menggunakan mata gergaji yang sesuai, perkakas listrik juga dapat digunakan untuk memotong profil aluminium dan bahan sintetik.

Ilustrasi komponen

Nomor-nomor dari bagian-bagian perkakas pada gambar sesuai dengan gambar perkakas listrik pada halaman bergambar.

- (1) Kantung debu
- (2) Tuas penjepit mekanisme luncur
- (3) Gagang
- (4) Kunci pengaman untuk tombol on/off
- (5) Kap pelindung
- (6) Kap pelindung yang dapat bergerak
- (7) Rel pembatas yang dapat disetel
- (8) Rel pembatas
- (9) Pelat sisipan
- (10) Freewheel sudut
- (11) Kenop pengunci untuk menyetel setiap sudut mitre (horizontal)
- (12) Tuas untuk pengaturan awal sudut mitre (horizontal)
- (13) Gagang pengencang untuk menyetel setiap sudut mitre (vertikal)
- (14) Alur untuk sudut mitre standar (horizontal)
- (15) Lubang untuk pemasangan
- (16) Braket ekstensi
- (17) Lekukan tempat memegang
- (18) Tuas penjepit pada braket ekstensi
- (19) Klem
- (20) Rol peluncur
- (21) Indikator sudut untuk rentang sudut mitre kanan (0° hingga 47°) (vertikal)
- (22) Deflektor serutan
- (23) Lengan geser
- (24) Baut penyetel pembatas kedalaman
- (25) Pembatas kedalaman
- (26) Kunci transpor
- (27) Skala untuk sudut mitre (vertikal)
- (28) Indikator sudut untuk rentang sudut mitre kiri (47° hingga 0°) (vertikal)
- (29) Kenop pengatur untuk sudut mitre 22,5° (vertikal)
- (30) Kunci L (6 mm/4 mm)
- (31) Skala untuk sudut mitre (horizontal)
- (32) Kenop putar untuk mengatur rentang sudut mitre (vertikal)
- (33) Meja potong
- (34) Mata gergaji
- (35) Adaptor pengisap
- (36) Ejektor serbuk
- (37) Sekrup pengunci batang penyambung kap pelindung yang dapat bergerak
- (38) Batang penyambung kap pelindung yang dapat bergerak
- (39) Sekrup pengencang depan (pelat penutup/kap pelindung yang dapat bergerak)
- (40) Sekrup pengencang belakang (pelat penutup/kap pelindung yang dapat bergerak)
- (41) Pelat penutup
- (42) Pengunci poros
- (43) Sekrup heksagonal untuk mengencangkan mata gergaji
- (44) Flensa penjepit
- (45) Flensa penjepit dalam
- (46) Sekrup pengunci rel pembatas yang dapat disetel
- (47) Peredam
- (48) Sekrup penyetel untuk peredaman

- (49) Lubang untuk klem
- (50) Batang berulir
- (51) Indikator sudut untuk sudut mitre (horizontal)
- (52) Tombol on/off
- (53) Baut untuk pelat sisipan
- (54)/ Sekrup penyetel untuk pengaturan dasar 0° (sudut
- (55)/ mitre vertikal)
- (56)
- (57) Sekrup penyetel untuk pengaturan dasar 45° (sudut mitre kiri vertikal)
- (58) Sekrup penyetel untuk pengaturan dasar 45° (sudut mitre kanan vertikal)
- (59) Sekrup penyetel skala untuk sudut mitre (horizontal)
- (60) Sekrup untuk indikator sudut (horizontal)
- (61) Sekrup penyetel untuk daya jepit gagang pengencang untuk menyetel setiap sudut mitre (vertikal)
- (62) Kain perekat

Data teknis

Mesin gergaji panel		GCM 10 GDJ	GCM 10 GDJ
Nomor seri		3 601 M27 04. 3 601 M27 0L. 3 601 M27 08. 3 601 M27 0B. 3 601 M27 0K.	3 601 M27 00. 3 601 M27 03. 3 601 M27 06. 3 601 M27 07.
Input daya nominal	W	2000	2000
Kecepatan idle	min ⁻¹	5000	5000
Pembatasan arus listrik pada awalan start		●	●
Berat sesuai dengan EPTA-Procedure 01:2014	kg	31,6	31,6
Tingkat perlindungan		□/II	□/II
Ukuran mata gergaji yang sesuai			
Diameter mata gergaji	mm	254	254
Ketebalan bilah baja	mm	1,7–2,6	1,7–2,6
Lebar pemotongan maks.	mm	3,2	3,2
Diameter lubang	mm	25,4	30

Data-data berlaku untuk tegangan nominal [U] 230 V. Pada tegangan yang lebih rendah dan pada model khusus mancanegara data-data ini bisa berlainan.

Ukuran benda kerja yang diperbolehkan (maksimal/minimal): (lihat „Ukuran benda kerja yang diperbolehkan“, Halaman 88)

Cara memasang

- ▶ **Hindari perkakas listrik hidup secara tidak sengaja. Selama melakukan pemasangan dan pekerjaan lainnya pada perkakas listrik, steker tidak boleh dialiri listrik.**

Lingkup pengiriman



Perhatikan ilustrasi lingkup pengiriman pada awal panduan pengoperasian.

Sebelum menggunakan perkakas listrik untuk pertama kalinya, periksalah apakah semua komponen di bawah ini disertakan:

- Mesin gergaji panel dengan mata gergaji yang terpasang (34)
- Kenop pengunci (11)
- Gagang pengencang (13) dengan set pemasangan

- Braket ekstensi (16) dan tuas penjepit (18) dengan set pemasangan
- Kantung debu (1)
- Kunci L (30)
- Klem (19)

Catatan: Periksa perkakas listrik dari kemungkinan kerusakan.

Sebelum melanjutkan menggunakan perkakas listrik, periksa dengan saksama semua komponen pelindung atau komponen yang sedikit rusak apakah komponen tersebut berfungsi dengan baik. Periksa apakah komponen yang bergerak berfungsi dengan baik dan tidak terjepit atau apakah ada komponen yang rusak. Semua bagian-bagian harus terpasang dengan benar dan memenuhi semua persyaratan guna menjamin penggunaan perkakas listrik yang sempurna.

Komponen perlindungan dan bagian-bagian yang rusak harus diperbaiki atau diganti di bengkel yang disetujui.

Perkakas yang diperlukan selain peralatan yang disertakan dalam pengiriman:

- Obeng kembang
- Kunci ratchet (ukuran: 8 mm)
- Kunci ring, kunci pas atau kunci sok (ukuran: 10 mm dan 17 mm)

Memasang komponen-komponen

- Keluarkan semua komponen yang disediakan di kemasan dengan hati-hati.
- Singkirkan semua bahan kemasan dari perkakas listrik dan dari aksesori yang disediakan.

Memasang kenop pengunci (lihat gambar a)

- Pasang kenop pengunci (11) ke lubang yang sesuai di atas tuas (12).
- **Sebelum mulai menggergaji, selalu kencangkan kenop pengunci (11).** Jika tidak, mata gergaji bisa tersangkut pada benda kerja.

Memasang gagang pengencang untuk sudut potong lainnya (vertikal) (lihat gambar a)

- Gunakan set pemasangan yang disediakan (kunci soket, mur, 2 cincin) untuk memasang gagang pengencang (13).
- Pasang komponen tunggal dalam urutan yang ditunjukkan (cincin besar, gagang pengencang, cincin kecil, mur) pada baut ulir di perkakas listrik.
 - Pasang kunci L yang disediakan (30) melalui lubang pada kunci sok untuk transmisi daya yang lebih baik pada saat mengencangkan mur.
 - Kencangkan mur.

Memasang braket ekstensi (lihat gambar b)

- Gunakan set pemasangan yang disediakan (2 tuas penjepit (18), 2 sekrup pegas, 2 sekrup bergerigi) untuk memasang braket ekstensi (16).
- Dorong braket ekstensi (16) hingga maksimal ke dalam lubang yang sesuai pada meja potong (33).
 - Pasang sekrup bergerigi dengan tangan ke dalam lubang yang sesuai sepenuhnya.
 - Pasang tuas penjepit (18) pada kepala sekrup bergerigi.
 - Kencangkan tuas penjepit (18) dengan sekrup pegas.
 - Tingkatkan daya jepit tuas penjepit (18) dengan mengencangkan sekrup pegas menggunakan kunci L (30) yang disediakan.

Pemasangan stasioner atau fleksibel

- **Untuk menjamin keamanan kerja, perkakas listrik harus dipasang terlebih dulu di tempat kerja yang datar dan stabil (misalnya meja kerja) sebelum digunakan.**

Pemasangan di area kerja (lihat gambar c1)

- Kencangkan perkakas listrik di atas area kerja dengan sambungan sekrup yang sesuai. Untuk itu, gunakan lubang (15).

atau

- Kencangkan kaki perkakas listrik pada area kerja dengan klem yang tersedia secara komersial.

Pemasangan di meja kerja Bosch (lihat gambar c2)

(GTA 2500 W, GTA 3700, GTA 3800)

Meja kerja GTA Bosch menahan kedudukan perkakas listrik di segala permukaan dengan kaki yang dapat disetel ketinggiannya. Dudukan benda kerja pada area kerja digunakan untuk menunjang benda kerja yang berukuran panjang.

- **Baca semua petunjuk peringatan keamanan yang tercantum untuk meja kerja.** Jika petunjuk untuk keamanan kerja dan penggunaan tidak dipatuhi, dapat terjadi kontak listrik, kebakaran dan/atau cedera parah.
- **Sebelum memasang perkakas listrik pada meja kerja, rakit dulu meja kerja dengan benar.** Perakitan yang tepat sangat penting dilakukan agar meja kerja tidak roboh.
- Pasang perkakas listrik di area kerja pada posisi pengangkutan.

Pengisapan debu/serbuk

Debu dari bahan-bahan seperti cat yang mengandung timbal, beberapa jenis kayu, bahan mineral dan logam dapat berbahaya bagi kesehatan. Menyentuh atau menghirup debu tersebut dapat mengakibatkan reaksi alergi dan/atau penyakit saluran pernapasan bagi pengguna atau orang yang berada di dekatnya.

Beberapa debu tertentu seperti misalnya debu kayu pohon ek atau pohon fagus silvatica dianggap dapat mengakibatkan penyakit kanker, terutama dalam campuran dengan bahan-bahan tambahan untuk pengolahan kayu (kromat, obat pengawet kayu). Bahan-bahan yang mengandung asbes hanya boleh dikerjakan oleh orang-orang yang ahli.

- Gunakanlah hanya pengisap debu yang cocok untuk mengisap bahan yang dikerjakan.
- Pastikan terdapat ventilasi udara yang baik di tempat kerja.
- Dianjurkan untuk memakai masker anti debu dengan filter kelas P2.

Taatilah peraturan-peraturan untuk bahan-bahan yang dikerjakan yang berlaku di negara Anda.

- **Hindari debu yang banyak terkumpul di tempat kerja.**

Debu dapat tersulut dengan mudah.

Pengisap debu/serbuk dapat tersumbat oleh debu, serbuk atau serpihan dari benda yang dikerjakan.

- Matikan perkakas listrik dan lepas steker dari stopkontak.
- Tunggu hingga mata gergaji benar-benar berhenti.
- Periksa penyebab tersumbatnya perkakas dan segera perbaiki.

Ekstraksi otomatis (lihat gambar d)

Gunakan kantong debu (1) yang disediakan untuk mengumpulkan serpihan dengan mudah.

- Pasang dan putar kantong debu (1) pada adaptor pengisap (35) sehingga pin adaptor pengisap terkunci pada lubang di kantong debu.

Selama menggergaji, kantong debu sama sekali tidak boleh menyentuh bagian-bagian perkakas listrik yang bergerak.

Kosongkan kantong debu tepat pada waktunya.

- ▶ **Periksa dan bersihkan kantong debu setelah setiap penggunaan.**
- ▶ **Untuk menghindari terjadinya kebakaran, lepaskan kantong debu jika melakukan penggergajian pada bahan aluminium.**

Pengisapan eksternal

Untuk pengisapan, slang pengisap debu (Ø mm) juga dapat disambungkan ke adaptor pengisap (35).

- Sambungkan slang pengisap debu dengan adaptor pengisap (35).

Mesin pengisap debu harus sesuai dengan bahan yang dikerjakan.

Gunakan mesin pengisap khusus saat mengisap debu yang sangat berbahaya bagi kesehatan, pemicu kanker atau debu kering.

Membersihkan adapter pengisap

Untuk menjamin pengisapan yang optimal, adapter pengisap debu (35) harus dibersihkan secara berkala.

- Lepas adapter pengisap debu (35) dengan diputar dari pembuangan serbuk (36).
- Singkirkan serpihan benda kerja dan serbuk.
- Tekan kembali adapter pengisap debu pada pembuangan serbuk dengan diputar hingga terkunci pada ring penahan pembuangan serbuk.

Mengganti mata gergaji (lihat gambar e1–e4)

- ▶ **Sebelum mulai dengan pekerjaan pada perkakas listrik, tariklah steker dari stopkontak.**
- ▶ **Kenakan sarung tangan pelindung saat memasang mata gergaji.** Terdapat risiko cedera jika menyentuh mata gergaji.

Hanya gunakan mata gergaji dengan kecepatan putaran maksimal yang diperbolehkan yang lebih tinggi daripada kecepatan putaran tanpa beban dari perkakas listrik.

Hanya gunakan mata gergaji yang sesuai dengan data-data yang tercantum di dalam petunjuk pengoperasian yang diberikan dan diuji menurut peraturan EN 847-1 serta diberi tanda yang sesuai.

Hanya gunakan mata gergaji yang dianjurkan oleh produsen perkakas listrik ini dan yang sesuai untuk mengerjakan bahan yang hendak dikerjakan. Hal ini bertujuan untuk menghindari pemanasan berlebih pada gigi gergaji pada saat menggergaji.

Melepaskan mata gergaji

- Atur perkakas listrik pada posisi pengoperasian.
- Kendurkan sekrup pengunci (37) dengan kunci L (6 mm) (30) hingga batang penyambung (38) dapat menggantung ke bawah dengan bebas.
- Kendurkan sekrup pengencang (39) (sekitar 2 putaran) dengan kunci L (4 mm) (30).
Jangan memutar sekrup hingga benar-benar terlepas.

- Kendurkan sekrup pengencang (40) (sekitar 6 putaran) dengan kunci L (4 mm) (30).
Jangan memutar sekrup hingga benar-benar terlepas.
- Lepaskan pelat penutup (41) dari baut pengencang (40) ke depan dan belakang.
- Gerakkan kap pelindung yang dapat bergerak (6) ke belakang dan tahan kap pelindung yang dapat bergerak pada posisi ini.
- Gantung batang penyambung (38) dengan lubang di atas baut pengencang (40).
Dengan demikian, kap pelindung yang dapat bergerak ditahan pada posisi terbuka.
- Putar sekrup heksagonal (43) dengan kunci L (6 mm) (30) dan tekan pengunci poros (42) secara bersamaan hingga terkunci.
- Tekan dan tahan pengunci poros (42) dan putar keluar sekrup heksagonal (43) searah jarum jam (ulir kiri!).
- Lepas flensa penjepit (44).
- Lepas mata gergaji (34).

Memasang mata gergaji

- ▶ **Pada waktu memasang mata gergaji, perhatikan agar arah pemotongan gigi (arah panah pada mata gergaji) sesuai dengan arah panah pada kap pelindung!**

Jika perlu, bersihkan dulu semua komponen yang akan dipasang sebelum melakukan pemasangan.

- Pasang mata gergaji baru pada flensa penjepit bagian dalam (45).
- Pasang flensa penjepit (44) dan sekrup heksagonal (43).
Tekan pengunci poros (42) hingga terkunci dan kencangkan sekrup heksagonal berlawanan arah jarum jam.
- Kendurkan batang penyambung (38) dari sekrup pemasangan (40) dan arahkan kembali kap pelindung yang dapat bergerak (6) ke bawah.
- Geser kembali pelat penutup (41) ke bawah sekrup pemasangan (40).
- Kencangkan kembali sekrup pemasangan (40) dan (39).
- Geser batang penyambung (38) ke posisi semula dan kencangkan kembali sekrup pengunci (37) dengan kunci L (6 mm) (30).

Penggunaan

- ▶ **Sebelum mulai dengan pekerjaan pada perkakas listrik, tariklah steker dari stopkontak.**

Kunci transpor (lihat gambar A)

Kunci transpor (26) memungkinkan perkakas listrik dapat ditangani dengan lebih mudah saat dipindahkan ke lokasi yang berbeda.

Melepaskan penguncian perkakas listrik (susunan siap kerja)

- Tekan lengan geser (23) pada gagang (3) sedikit ke bawah untuk meringankan kunci transpor (26).
- Tarik sepenuhnya kunci transpor (26) ke luar.

- Gerakkan lengan geser (**23**) secara perlahan ke atas.

Mengunci perkakas listrik (susunan transpor)

- Dorong lengan geser (**23**) sepenuhnya ke belakang dan tahan pada posisi tersebut.
- Pindahkan lengan geser sejauh mungkin ke bawah hingga kunci transpor (**26**) dapat didorong sepenuhnya ke dalam.

Catatan lebih lanjut: Transportasi

Mengunci lengan geser

Mekanisme luncur lengan geser (**23**) dapat dikunci dengan tuas penjepit (**2**). Tersedia dua posisi lengan geser:

- Lengan geser sepenuhnya digeser ke belakang (untuk pemotongan silang)
- Lengan geser sepenuhnya digeser ke depan (untuk posisi transpor yang ringkas)

Membuka penguncian lengan geser (lihat gambar B1)

Setelah kunci lengan geser (**23**) terbuka, mekanisme luncur dari lengan geser berfungsi sepenuhnya.

- Tekan tuas pengunci (**2**) ke bawah hingga maksimal.
- Pasak pengunci dari tuas pengunci melepaskan kedua sendi bawah dari lengan geser.

Mengunci lengan geser (lihat gambar B2)

Lengan geser digeser sepenuhnya ke belakang:

- Dorong lengan geser (**23**) ke belakang hingga maksimal.

Saat menggergaji pada sudut potong horizontal dan/atau vertikal, rel pembatas yang dapat disetel (**7**) sisi kiri dan kanan harus ditarik keluar atau dilepas sepenuhnya tergantung pada arah pemotongan.

Sudut potong vertikal	Sudut potong horizontal	
0°–47° (kiri)	≤ 44° (kanan/kiri)	– Kendurkan sekrup pengunci (46). – Tarik rel pembatas yang dapat disetel sisi kiri (7) ke luar sepenuhnya.
0°–47° (kiri)	≥ 45° (kanan/kiri)	– Kendurkan sekrup pengunci (46). – Tarik rel pembatas yang dapat disetel sisi kiri (7) ke luar sepenuhnya. – Angkat rel pembatas yang dapat disetel. – Lepaskan sekrup pengunci (46).
0°–47° (kanan)	≤ 44° (kanan/kiri)	– Kendurkan sekrup pengunci (46). – Tarik rel pembatas yang dapat disetel sisi kanan (7) ke luar sepenuhnya.
0°–47° (kanan)	≥ 45° (kanan/kiri)	– Angkat rel pembatas yang dapat disetel.

Mengatur peredaman lengan geser (lihat gambar F)

Mekanisme luncur dari lengan geser (**23**) telah diatur sebelumnya oleh produsen dan saat pengiriman, mekanisme luncur dari perkakas listrik tidak diredamkan.

Peredaman mekanisme luncur dapat diatur secara individual pada peredam (**47**):

keras – gerakan kerja yang terkendali;

lunak – pemotongan yang cepat dengan gergaji.

- Kendurkan kedua sekrup penyetel (**48**) dengan kunci L (**4 mm**) (**30**) untuk peredaman yang **lebih lunak**
- *atau*

- Kedua sendi atas dari lengan geser kini berada pada posisi tegak dan tertutup.
- Tarik tuas penjepit (**2**) ke atas hingga pasak pengunci berada di antara kedua sendi bawah dari lengan geser.
- Dengan demikian, lengan geser (**23**) yang digeser ke belakang sepenuhnya terkunci.

Lengan geser digeser sepenuhnya ke depan:

- Tarik lengan geser (**23**) ke depan hingga maksimal.
- Kini mekanisme luncur tertarik keluar sepenuhnya.
- Tarik tuas penjepit (**2**) ke atas hingga pasak pengunci berada di antara kedua sendi bawah dari lengan geser.
- Dengan demikian, lengan geser (**23**) yang tertarik sepenuhnya ke depan terkunci.

Persiapan pemakaian

Memperpanjang meja potong (lihat gambar C)

Benda kerja berukuran panjang harus dialasi atau ditopang pada ujungnya.

Penopang benda kerja dari meja potong dapat diperbesar ke kiri dan ke kanan menggunakan braket ekstensi (**16**).

- Lipat tuas penjepit (**18**) ke dalam.
- Tarik braket ekstensi (**16**) ke luar hingga mencapai panjang yang diinginkan (maksimal 204 mm).
- Untuk mengencangkan braket ekstensi, tekan kembali tuas penjepit (**18**) ke luar.

Menggeser rel pembatas (lihat gambar D – E)

Untuk menggeser rel pembatas yang dapat disetel (**7**) sisi kiri dan kanan harus ditarik keluar atau dilepas sepenuhnya tergantung pada arah pemotongan.

- **Kendurkan** sekrup pengunci (**46**).
- Tarik rel pembatas yang dapat disetel sisi kiri (**7**) ke luar sepenuhnya.

- **Kendurkan** sekrup pengunci (**46**).
- Tarik rel pembatas yang dapat disetel sisi kiri (**7**) ke luar sepenuhnya.
- Angkat rel pembatas yang dapat disetel.
- **Lepaskan** sekrup pengunci (**46**).

- **Kendurkan** sekrup pengunci (**46**).
- Tarik rel pembatas yang dapat disetel sisi kanan (**7**) ke luar sepenuhnya.
- Angkat rel pembatas yang dapat disetel.

- putar kedua sekrup penyetel (**48**) lebih kencang untuk peredaman yang **lebih keras**.

Mengencangkan benda kerja (lihat gambar G)

Untuk menjamin keamanan kerja yang optimal, benda kerja harus selalu dikencangkan.

Jangan mengerjakan benda kerja yang terlalu kecil untuk dikencangkan.

- Tekan benda kerja dengan kuat pada rel pembatas (**8**).
- Masukkan klem (**19**) yang disediakan ke dalam salah satu lubang (**49**) yang tersedia.

- Kencangkan benda kerja dengan memutar batang berulir **(50)**.

Mengatur sudut potong horizontal dan vertikal

Untuk menjamin pemotongan yang tepat, penyetulan dasar perkakas listrik harus diperiksa setelah perkakas listrik digunakan secara intensif dan jika perlu lakukan pengaturan. Untuk melakukannya, diperlukan pengalaman dan perkakas khusus yang sesuai.

Pusat layanan pelanggan Bosch akan melakukan pekerjaan ini dengan cepat dan baik.

- **Sebelum mulai menggergaji, (11) selalu kencangkan knop pengunci.** Jika tidak, mata gergaji dapat tersangkut pada benda kerja.

Menyetel sudut potong horizontal

Mengatur sudut potong horizontal standar (lihat gambar H)

Untuk mengatur sudut potong horizontal yang sering digunakan secara cepat dan tepat, terdapat alur pada meja potong **(14)**:

kiri	kanan
0°	
45°; 31,6°; 22,5°; 15°	15°; 22,5°; 31,6°; 45°; 60°

- Kendurkan kenop pengunci **(11)** jika gagang dikencangkan.
- Tarik tuas **(12)** dan putar meja potong **(33)** ke kiri atau kanan hingga mencapai alur yang diinginkan.
- Lepaskan kembali tuas. Tuas harus terasa terkunci ke dalam alur.
- Kencangkan kembali kenop pengunci **(11)**.

Mengatur sudut potong horizontal lainnya (lihat gambar I)

Sudut potong horizontal dapat diatur pada rentang antara 52° (sisi kiri) hingga 60° (sisi kanan).

- Kendurkan kenop pengunci **(11)** jika kenop dikencangkan.
- Tarik tuas **(12)** dan tekan freewheel sudut **(10)** depan ke bawah secara bersamaan. Dengan demikian, tuas **(12)** akan terkunci dan meja potong dapat bergerak dengan bebas.
- Putar meja potong **(33)** pada kenop pengunci ke kiri atau kanan hingga indikator sudut **(51)** menunjukkan sudut potong horizontal yang diinginkan.
- Kencangkan kembali kenop pengunci **(11)**.
- Untuk mengendurkan kembali tuas **(12)** (untuk mengatur sudut potong standar horizontal), tarik tuas ke atas. Freewheel sudut **(10)** kembali ke posisi semula dan tuas **(12)** dapat terkunci kembali ke dalam alur **(14)**.

Menyetel sudut potong vertikal

Sudut potong vertikal dapat diatur pada rentang antara 47° (sebelah kiri) hingga 47° (sebelah kanan).

Untuk mengatur sudut potong vertikal yang sering digunakan secara cepat dan tepat, tersedia pembatas untuk sudut 0°, 22,5° dan 45° dan 47°.

Mengatur rentang sudut potong vertikal sebelah kiri (45° hingga 0°)

L

- Tarik rel pembatas yang dapat disetel sisi kiri **(7)** ke luar sepenuhnya.
- Kendurkan gagang pengencang **(13)**.
- Putar lengan geser **(23)** pada gagang **(3)** ke kiri hingga indikator sudut **(28)** menunjukkan sudut potong vertikal yang diinginkan.
- Tahan lengan geser **(23)** pada posisi tersebut dan kencangkan kembali gagang pengencang **(13)**. Daya jepit dari gagang pengencang harus dapat menahan dengan baik posisi lengan geser pada tiap sudut potong vertikal.

Mengatur rentang sudut potong vertikal sisi kanan (0° hingga 45°) (lihat gambar J)

45° R

- Tarik rel pembatas yang dapat disetel sisi kanan **(7)** ke luar sepenuhnya.
- Kendurkan gagang pengencang **(13)**.
- Miringkan sedikit lengan geser **(23)** pada gagang **(3)** dari posisi 0° ke kiri dan putar kenop putar **(32)** hingga rentang sudut potong vertikal yang diinginkan ditampilkan.
- Gerakkan lengan geser **(23)** pada gagang **(3)** ke kanan hingga indikator sudut **(21)** menunjukkan sudut potong yang diinginkan.
- Tahan lengan geser **(23)** pada posisi tersebut dan kencangkan kembali gagang pengencang **(13)**. Daya jepit dari gagang pengencang harus dapat menahan dengan baik posisi lengan geser pada tiap sudut potong vertikal.

Mengatur sudut potong vertikal standar 0°

Agar sudut potong vertikal standar 0° dapat diatur kembali dengan mudah, kenop putar **(32)** terkunci pada rentang sudut potong vertikal sebelah kiri.

- Gerakkan lengan geser **(23)** dari sisi kanan ke posisi 0°.

Mengatur seluruh rentang sudut potong vertikal (-47° hingga +47°)

47°

- Tarik kedua rel pembatas yang dapat disetel **(7)** ke luar sepenuhnya.
- Kendurkan gagang pengencang **(13)**.
- Miringkan sedikit lengan geser **(23)** pada gagang **(3)** dari posisi 0° ke kiri dan putar kenop putar **(32)** hingga rentang sudut potong vertikal yang diinginkan ditampilkan.

- Gerakkan lengan geser (**23**) pada gagang (**3**) ke kiri atau kanan hingga indikator sudut (**28**) atau (**21**) menunjukkan sudut potong yang diinginkan.
- Tahan lengan geser (**23**) pada posisi tersebut dan kencangkan kembali gagang pengencang (**13**). Daya jepit dari gagang pengencang harus dapat menahan dengan baik posisi lengan geser pada tiap sudut potong vertikal.

Mengatur sudut potong vertikal standar 22,5° (lihat gambar K)

Tarik kenop penyetel (**29**) ke luar sepenuhnya dan putar sebesar 90°. Kemudian gerakkan lengan geser (**23**) pada gagang (**3**) hingga lengan geser terdengar mengunci.

Pengoperasian pertama kali

Menghidupkan (lihat gambar L)

- Untuk **menghidupkan** perkakas listrik, **pertama** geser kunci pengaman (**4**) ke tengah, **kemudian** tekan dan tahan tombol on/off (**52**).

Catatan: Demi alasan keamanan, tombol on/off (**52**) tidak dapat dikunci, melainkan switch harus selalu ditekan selama pengoperasian.

Mematikan perkakas listrik

- Untuk **mematikan** perkakas listrik, lepaskan tombol untuk menghidupkan dan mematikan (**52**).

Pembatasan arus listrik pada awalan start

Pembatasan arus listrik pada awalan start elektronik akan membatasi daya saat perkakas listrik dihidupkan dan memungkinkan pengoperasian pada sekring 16 A.

Catatan: Jika setelah dihidupkan perkakas listrik beroperasi dengan kecepatan putaran penuh, pembatasan arus listrik pada awalan start tidak berfungsi. Perkakas listrik harus segera dikirimkan ke layanan pelanggan. Alamat: Layanan pelanggan dan konsultasi penggunaan.

Petunjuk pengoperasian

Petunjuk umum untuk menggergaji

- ▶ **Sebelum menggergaji, selalu kencangkan kenop pengunci (11) dan gagang pengencang (13).** Jika tidak, mata gergaji dapat tersangkut pada benda kerja.
- ▶ **Selalu kencangkan kenop penyetel (11) dan tuas pengunci sebelum menggergaji.** Jika tidak, mata gergaji dapat tersangkut pada benda kerja.
- ▶ **Sebelum mulai menggunakan perkakas listrik, periksalah mata gergaji agar tidak menyentuh rel pembatas, klem atau bagian yang lain dari perkakas. Jika perlu, lepaskan semua mistar pembantu yang dipasang atau sesuaikan pembatasnya.**

Lindungilah mata gergaji terhadap benturan dan tumbukan. Jangan menekan mata gergaji dari samping.

Hanya potong bahan yang disetujui sesuai ketentuan penggunaan.

Jangan mengerjakan benda yang bengkok. Benda kerja harus selalu mempunyai tepi yang lurus untuk dirapatkan pada rel pembatas.

Benda kerja yang panjang dan berat harus dialasi atau ditopang pada ujungnya.

Pastikan agar kap pelindung yang dapat bergerak dapat berfungsi dengan baik dan bergerak secara bebas. Kap pelindung yang dapat bergerak harus dalam keadaan terbuka saat menggerakkan lengan perkakas ke bawah. Kap pelindung yang dapat bergerak harus tertutup kembali di atas mata gergaji dan terkunci pada posisi teratas lengan perkakas saat menggerakkan lengan perkakas ke atas.

Posisi pengguna perkakas listrik (lihat gambar M)

▶ **Jangan berdiri langsung dalam satu garis dengan perkakas listrik dan mata gergaji, melainkan selalu di samping mata gergaji.** Dengan demikian tubuh Anda akan terlindungi jika terjadi bantingan.

- Jauhkan tangan, jari dan lengan dari mata gergaji yang berputar.
- Jangan menyilangkan tangan Anda di depan lengan perkakas.

Mengganti pelat sisipan (lihat gambar P)

Pelat sisipan merah (**9**) dapat menjadi aus setelah perkakas listrik digunakan untuk waktu yang lama.

Ganti pelat sisipan yang rusak.

- Setel perkakas listrik pada posisi pengoperasian.
- Lepaskan sekrup (**53**) dengan kunci L (4 mm) (**30**) dan lepas pelat sisipan yang lama.
- Pasang pelat sisipan sisi kanan yang baru.
- Pasang pelat sisipan dengan sekrup (**53**) sejauh mungkin ke kanan sehingga mata gergaji tidak menyentuh pelat sisipan di sepanjang kemungkinan pergerakan.
- Ulangi langkah-langkah di atas pada pelat sisipan kiri yang baru.

Ukuran benda kerja yang diperbolehkan

Ukuran benda kerja **maksimal**:

Sudut potong horizontal	Sudut potong vertikal	Tinggi x Lebar [mm]
0°	0°	80 x 306
45°	0°	80 x 216
0°	45° (kiri)	54 x 296
0°	45° (kanan)	30 x 296
45°	45° (kiri)	54 x 208
45°	45° (kanan)	30 x 208

Ukuran benda kerja **minimal** (= semua benda kerja yang dapat dijepit dengan klem (**19**) yang disediakan di sisi kiri atau kanan mata gergaji): 145 x 306 mm (panjang x lebar)

Kedalaman pemotongan maksimal (0°/0°): 100 mm

Menggergaji

Menggergaji tanpa penarikan (menggergaji vertikal) (lihat gambar N)

- Dorong lengan geser (**23**) sepenuhnya ke belakang dan tahan pada posisi tersebut. Pastikan pembatas kedalaman (**25**) ditekan sepenuhnya

ke dalam dan sekrup penyetel (**24**) sesuai dengan lubang saat menggerakkan lengan geser tanpa menyentuh pembatas kedalaman.

- Kencangkan benda kerja sesuai dengan ukurannya.
- Jika perlu, atur sudut potong yang diinginkan (horizontal dan/atau vertikal).
- Hidupkan perkakas listrik.
- Gerakkan lengan geser (**23**) dengan gagang (**3**) secara perlahan ke bawah.
- Gergaji benda kerja dengan dorongan yang merata.
- Matikan perkakas listrik dan tunggu hingga mata gergaji benar-benar berhenti.
- Gerakkan lengan geser (**23**) secara perlahan ke atas.

Menggergaji dengan penarikan (lihat gambar O)

- ▶ **Pegang gagang dengan kuat sebelum menghidupkan perkakas listrik dan selama melakukan pekerjaan menggergaji. Selama menggergaji, kendalikan pergerakan perkakas listrik dengan lengan geser.** Jika pengguna tidak berkonsentrasi meski dalam waktu singkat, cedera dapat terjadi akibat lengan geser yang sangat mudah bergerak.
- Buka penguncian lengan geser (**23**). Periksa apakah mekanisme luncur siap beroperasi secara penuh dengan cara menarik dan mendorong lengan geser (**23**).
- Kencangkan benda kerja sesuai dengan ukurannya.
- Jika perlu, atur sudut potong yang diinginkan (horizontal dan/atau vertikal).
- Tarik lengan geser (**23**) dengan gagang (**3**) sejauh mungkin dari rel pembatas (**8**) hingga mata gergaji berada di depan benda kerja.
- Hidupkan perkakas listrik.
- Gerakkan lengan geser (**23**) dengan gagang (**3**) secara perlahan ke bawah.
- Kemudian, tekan lengan geser (**23**) ke arah rel pembatas (**8**) dan gergaji benda kerja dengan dorongan yang merata.
- Matikan perkakas listrik dan tunggu hingga mata gergaji benar-benar berhenti.
- Gerakkan lengan geser (**23**) secara perlahan ke atas.

Mengatur pembatas kedalaman (membuat alur) (lihat gambar Q)

Jika hendak membuat alur atau menggunakan batas jarak, pembatas kedalaman harus disetel.

- Gerakkan pembatas kedalaman (**25**) ke luar.
- Gerakkan lengan geser (**23**) pada gagang (**3**) hingga mencapai posisi yang diinginkan.
- Putar baut penyetel (**24**) hingga ujung dari baut menyentuh pembatas kedalaman (**25**).
- Gerakkan lengan geser (**23**) secara perlahan ke atas.

Benda kerja khusus

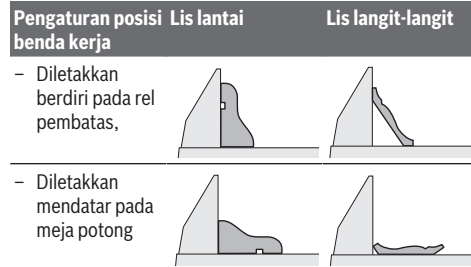
Saat menggergaji benda kerja dengan bentuk melengkung atau bulat, benda kerja tersebut harus dipegang dengan alat

agar tidak tergeser. Pada jalur potong tidak boleh ada celah antara benda kerja, rel pembatas dan meja potong.

Jika perlu harus dibuat penahan khusus.

Mengerjakan lis profil

Lis profil dapat dikerjakan dengan dua cara yang berbeda:



Selain itu, pemotongan dapat dilakukan dengan atau tanpa gerakan penarikan tergantung pada lis profil.

Selalu lakukan uji coba sudut potong yang telah diatur (horizontal dan/atau vertikal) terlebih dulu pada kayu sisa.

Memeriksa dan mengatur pengaturan awal

Untuk menjamin pemotongan yang tepat, penyetelan dasar perkakas listrik harus diperiksa setelah perkakas listrik digunakan secara intensif dan jika perlu lakukan pengaturan. Untuk melakukannya, diperlukan pengalaman dan perkakas khusus yang sesuai.

Pusat layanan pelanggan Bosch akan melakukan pekerjaan ini dengan cepat dan baik.

Mengatur sudut potong vertikal standar 0°

- Setel perkakas listrik pada posisi pengoperasian.
- Putar meja potong (**33**) hingga mencapai alur (**14**) untuk 0°. Tuas (**12**) harus terasa mengunci pada alur.

Memeriksa (lihat gambar R1)

- Atur mistar pengukur sudut pada 90° dan letakkan di atas meja potong (**33**).

Kaki pengukur sudut harus rata dengan mata gergaji (**34**).

Mengatur (lihat gambar R2)

- Kendurkan gagang pengencang (**13**).
- Kendurkan kedua sekrup penyetel (**54**) (paling sedikit 1 putaran) dengan kunci sok (10 mm).
- Kendurkan sekrup penyetel (**56**) (sekitar 3 putaran) dengan kunci L (4 mm) (**30**).
- Putar sekrup penyetel (**55**) dengan kunci L (4 mm) (**30**) sejauh mungkin ke dalam atau ke luar hingga kaki sudut dari mistar pengukur sudut rata dengan mata gergaji.
- Kencangkan kembali gagang pengencang (**13**). Setelah itu, tarik terlebih dahulu sekrup penyetel (**56**) kemudian kencangkan kembali sekrup penyetel (**54**).

Jika indikator sudut (**28**) dan (**21**) tidak berada pada satu garis dengan tanda 0° dari skala (**27**) setelah pengaturan dilakukan, kendurkan sekrup pengencang indikator sudut dengan obeng kembang dan arahkan indikator sudut sepanjang tanda 0°.

Mengatur sudut potong vertikal standar 45° (kiri)

- Setel perkakas listrik pada posisi pengoperasian.
- Putar meja potong (33) hingga mencapai alur (14) untuk 0°. Tuas (12) harus terasa mengunci pada alur.
- Tarik rel pembatas yang dapat diubah sebelah kiri (7) ke luar sepenuhnya.
- Kendurkan gagang pengencang (13) dan gerakan lengan geser pada gagang (3) ke kiri hingga maksimal (45°).

Memeriksa (lihat gambar S1)

- Atur mistar pengukur sudut pada 45° dan letakkan di atas meja potong (33).

Kaki pengukur sudut harus rata dengan mata gergaji (34).

Mengatur (lihat gambar S2)

- Putar sekrup penyatel (57) dengan kunci ratchet (8 mm) sejauh mungkin ke dalam atau luar hingga kaki mistar pengukur sudut sejajar dengan mata gergaji.
- Kencangkan kembali gagang pengencang (13).

Jika indikator sudut (28) dan (21) tidak berada pada satu garis dengan tanda 45° dari skala (27) setelah pengaturan dilakukan, pertama periksa sekali lagi pengaturan 0° untuk sudut potong vertikal dan indikator sudut. Kemudian ulangi pengaturan sudut potong vertikal 45°.

Mengatur sudut potong vertikal standar 45° (kanan)

- Setel perkakas listrik pada posisi pengoperasian.
- Putar meja potong (33) hingga mencapai alur (14) untuk 0°. Tuas (12) harus terasa mengunci pada alur.
- Tarik rel pembatas yang dapat diubah sebelah kanan (7) ke luar sepenuhnya.
- Kendurkan gagang pengencang (13).
- Miringkan sedikit lengan geser pada gagang (3) dari posisi 0° ke kiri dan putar kenop putar (32) hingga rentang sudut potong vertikal sebelah kanan ditampilkan.
- Gerakan lengan geser pada pegangan (3) ke kanan hingga maksimal (45°).

Memeriksa (lihat gambar T1)

- Atur mistar pengukur sudut pada 135° dan letakkan di atas meja potong (33).

Kaki pengukur sudut harus rata dengan mata gergaji (34).

Mengatur (lihat gambar T2)

- Putar sekrup penyatel (58) dengan kunci ratchet (8 mm) sejauh mungkin ke dalam atau luar hingga kaki mistar pengukur sudut sejajar dengan mata gergaji.
- Kencangkan kembali gagang pengencang (13).

Jika indikator sudut (28) dan (21) tidak berada pada satu garis dengan tanda 45° dari skala (27) setelah pengaturan dilakukan, pertama periksa sekali lagi pengaturan 0° untuk sudut potong vertikal dan indikator sudut. Kemudian ulangi pengaturan sudut potong vertikal 45°.

Menyelaraskan skala untuk sudut potong horizontal

- Setel perkakas listrik pada posisi pengoperasian.
- Putar meja potong (33) hingga mencapai alur (14) untuk 0°. Tuas (12) harus terasa mengunci pada alur.

Memeriksa (lihat gambar U1)

- Atur mistar pengukur sudut pada 90° dan letakkan di antara rel pembatas (8) dan mata gergaji (34) di atas meja potong (33).

Kaki pengukur sudut harus rata dengan mata gergaji (34).

Mengatur (lihat gambar U2)

- Kendurkan keempat sekrup penyatel (59) dengan kunci L (4 mm) (30) dan putar meja potong (33) secara bersamaan dengan skala (31) hingga kaki pengukur sudut rata dengan mata gergaji.
- Kencangkan kembali sekrup.

Jika indikator sudut (51) tidak berada pada satu garis dengan tanda 0° dari skala (31) setelah pengaturan dilakukan, kendurkan sekrup (60) dengan obeng kembang dan arahkan indikator sudut sepanjang tanda 0°.

Mengatur daya jepit gagang pengencang (13) (lihat gambar V)

Daya jepit dari gagang pengencang (13) dapat diatur ulang.

Memeriksa

- Daya jepit dari gagang pengencang harus dapat menahan dengan baik kedudukan lengan geser pada semua sudut potong vertikal.

Mengatur

- Kendurkan gagang pengencang (13).
- Putar sekrup penyatel (61) dengan kunci sok (17 mm) berlawanan arah jarum jam untuk mengurangi daya jepit atau putar searah jarum jam untuk menambah daya jepit.
- Atur sudut potong vertikal, kencangkan kembali gagang pengencang (13) dan periksa apakah daya jepit yang diinginkan tercapai.

Mengangkut (lihat gambar W)

Sebelum mengangkut perkakas listrik, langkah-langkah berikut harus dilakukan:

- Dorong sepenuhnya lengan geser (23) ke belakang dan pertahankan pada posisi ini (lihat "Mengunci lengan geser", halaman 23).
- Pastikan pembatas kedalaman (25) ditekan sepenuhnya ke dalam dan baut penyatel (24) sesuai dengan lubang saat menggerakkan lengan geser tanpa menyentuh pembatas kedalaman.
- Pindahkan lengan geser sejauh mungkin ke bawah hingga kunci transpor (26) dapat didorong sepenuhnya ke dalam.
- Dorong braket ekstensi (16) ke dalam sepenuhnya.
- Atur sudut mitre vertikal pada 0° dan kencangkan gagang pengencang (13).
- Putar meja potong (33) ke kiri hingga maksimal dan kencangkan kenop penyatel (11).
- Ikat kabel listrik dengan perekat kain (62).
- Lepaskan semua komponen aksesoris yang tidak dapat dipasang dengan kencang pada perkakas listrik.
- Selama pengangkutan, mata gergaji yang tidak digunakan sebaiknya disimpan di dalam tempat tertutup.

– Bawa perkakas listrik dengan memegangnya pada lekukan tempat memegang (17) di sisi samping pada meja potong.

- ▶ **Saat mengangkat perkakas listrik, hanya gunakan komponen transpor dan jangan pernah menggunakan komponen pelindung, lengan geser (23) atau gagang (3).**

Perawatan dan servis

Perawatan dan pembersihan

- ▶ **Sebelum mulai dengan pekerjaan pada perkakas listrik, tariklah steker dari stopkontak.**
- ▶ **Perkakas listrik dan lubang ventilasi harus selalu dibersihkan agar perkakas dapat digunakan dengan baik dan aman.**

Jika kabel listrik harus diganti, pekerjaan ini harus dilakukan oleh **Bosch** atau Service Center untuk perkakas listrik **Bosch** resmi agar keselamatan kerja selalu terjamin.

Kap pelindung yang dapat bergerak harus dapat bergerak secara bebas dan menutup sendiri. Karena itu, jaga kebersihan area di sekitar kap pelindung yang dapat bergerak.

Setelah setiap penggunaan, bersihkan perkakas listrik dari debu dan serbuk dengan cara ditiup dengan udara bertekanan atau dengan kuas.

- Bersihkan rol peluncur (20) dan lengan geser (23) secara berkala.

Aksesori

	Nomor seri
Klem	1 609 B06 203
Pelat sisipan	1 609 B04 263 1 609 B04 264
Kantung debu	1 609 B02 595
Adaptor pengisap	2 607 001 977

Berlaku untuk jenis berikut:

3 601 M27 04./... 0L./... 08./... 0B./... 0K.

Mata gergaji untuk kayu dan material tipis, panel dan lis

Mata gergaji 254 x 25,4 mm, 40 gigi 2 608 676 047

Mata gergaji untuk kayu keras, bahan komposit, bahan sintesis dan logam nonbesi

Mata gergaji 254 x 25,4 mm, 40 gigi 2 608 640 969

Mata gergaji 254 x 25,4 mm, 40 gigi 2 608 640 970

Mata gergaji 254 x 25,4 mm, 40 gigi 2 608 640 971

Berlaku untuk jenis berikut:

3 601 M27 00./... 03./... 07./... 06.

Mata gergaji untuk kayu dan material tipis, panel dan lis

Mata gergaji 254 x 30 mm, 40 gigi 2 608 642 530

Mata gergaji untuk kayu keras, bahan komposit, bahan sintesis dan logam nonbesi

Nomor seri

Mata gergaji 254 x 30 mm, 80 gigi

2 608 642 528

Layanan pelanggan dan konsultasi penggunaan

Layanan pelanggan Bosch menjawab semua pertanyaan Anda tentang reparasi dan perawatan serta tentang suku cadang produk ini. Gambaran teknis (exploded view) dan informasi mengenai suku cadang dapat ditemukan di:

www.bosch-pt.com

Tim konsultasi penggunaan Bosch akan membantu Anda menjawab pertanyaan seputar produk kami beserta aksesorinya.

Jika Anda hendak menanyakan sesuatu atau memesan suku cadang, selalu sebutkan nomor model yang terdiri dari 10 angka dan tercantum pada label tipe produk.

Indonesia

PT Robert Bosch

Palma Tower 10th Floor

Jalan RA Kartini II-S Kaveling 6

Pondok Pinang, Kebayoran Lama

Jakarta Selatan 12310

Tel.: (021) 3005 5800

Fax: (021) 3005 5801

E-Mail: boschpowertools@id.bosch.com

www.bosch-pt.co.id

Alamat layanan lainnya dapat ditemukan di:

www.bosch-pt.com/serviceaddresses

Cara membuang

Perkakas listrik, aksesori, dan kemasan sebaiknya didaur ulang secara ramah lingkungan.



Jangan membuang perkakas listrik ke dalam sampah rumah tangga!

Tiếng Việt

Hướng dẫn an toàn

Cảnh báo Tổng quát Cách sử dụng An toàn Dụng cụ điện Cẩm tay

⚠ CẢNH BÁO Hãy đọc toàn bộ các cảnh báo an toàn, hướng dẫn,

hình ảnh và thông số kỹ thuật được cung cấp cho dụng cụ điện cầm tay này. Không tuân thủ mọi hướng dẫn được liệt kê dưới đây có thể bị điện giật, gây cháy và /hay bị thương tật nghiêm trọng.

Hãy giữ tất cả tài liệu về cảnh báo và hướng dẫn để tham khảo về sau.

Thuật ngữ "dụng cụ điện cầm tay" trong phần cảnh báo là để cập đến sự sử dụng dụng cụ điện cầm

tay của bạn, loại sử dụng điện nguồn (có dây cắm điện) hay vận hành bằng pin (không dây cắm điện).

Khu vực làm việc an toàn

- ▶ **Giữ nơi làm việc sạch và đủ ánh sáng.** Nơi làm việc bừa bộn và tối tăm dễ gây ra tai nạn.
- ▶ **Không vận hành dụng cụ điện cầm tay trong môi trường dễ gây nổ, chẳng hạn như nơi có chất lỏng dễ cháy, khí đốt hay rác.** Dụng cụ điện cầm tay tạo ra các tia lửa nên có thể làm rác bén cháy hay bốc khói.
- ▶ **Không để trẻ em hay người đến xem đứng gần khi vận hành dụng cụ điện cầm tay.** Sự phân tâm có thể gây ra sự mất điều khiển.

An toàn về điện

- ▶ **Phích cắm của dụng cụ điện cầm tay phải thích hợp với ổ cắm.** Không bao giờ được cải biến lại phích cắm dưới mọi hình thức. Không được sử dụng phích tiếp hợp nối tiếp đất (dây mát). Phích cắm nguyên bản và ổ cắm đúng loại sẽ làm giảm nguy cơ bị điện giật.
- ▶ **Tránh không để thân thể tiếp xúc với đất hay các vật có bề mặt tiếp đất như đường ống, lò sưởi, hàng rào và tủ lạnh.** Có nhiều nguy cơ bị điện giật hơn nếu cơ thể bạn bị tiếp hay nối đất.
- ▶ **Không được để dụng cụ điện cầm tay ngoài mưa hay ở tình trạng ẩm ướt.** Nước vào máy sẽ làm tăng nguy cơ bị điện giật.
- ▶ **Không được lạm dụng dây dẫn điện.** Không bao giờ được nắm dây dẫn để xách, kéo hay rút phích cắm dụng cụ điện cầm tay. Không để dây gần nơi có nhiệt độ cao, dầu nhớt, vật nhọn bén và bộ phận chuyển động. Làm hỏng hay cuộn rối dây dẫn làm tăng nguy cơ bị điện giật.
- ▶ **Khi sử dụng dụng cụ điện cầm tay ngoài trời, dùng dây nối thích hợp cho việc sử dụng ngoài trời.** Sử dụng dây nối thích hợp cho việc sử dụng ngoài trời làm giảm nguy cơ bị điện giật.
- ▶ **Nếu việc sử dụng dụng cụ điện cầm tay ở nơi ẩm ướt là không thể tránh được, dùng thiết bị ngắt mạch tự động (RCD) bảo vệ nguồn.** Sử dụng thiết bị ngắt mạch tự động RCD làm giảm nguy cơ bị điện giật.

An toàn cá nhân

- ▶ **Hãy tỉnh táo, biết rõ mình đang làm gì và hãy sử dụng ý thức khi vận hành dụng cụ điện cầm tay.** Không sử dụng dụng cụ điện cầm tay khi đang mệt mỏi hay đang bị tác động do chất gây nghiện, rượu hay được phẩm gây ra. Một thoáng mất tập trung khi đang vận hành dụng cụ điện cầm tay có thể gây thương tích nghiêm trọng cho bản thân.
- ▶ **Sử dụng trang bị bảo hộ cá nhân.** Luôn luôn đeo kính bảo vệ mắt. Trang bị bảo hộ như khẩu trang, giày chống trượt, nón bảo hộ, hay dụng cụ bảo vệ tai khi được sử dụng đúng nơi

đúng chỗ sẽ làm giảm nguy cơ thương tật cho bản thân.

- ▶ **Phòng tránh máy khởi động bất ngờ.** Bảo đảm công tắc máy ở vị trí tắt trước khi cắm vào nguồn điện và/hay lắp pin vào, khi nhấc máy lên hay khi mang xách máy. Ngáng ngón tay vào công tắc máy để xách hay kích hoạt dụng cụ điện cầm tay khi công tắc ở vị trí mở dễ dẫn đến tai nạn.
- ▶ **Lấy mọi chìa hay khóa điều chỉnh ra trước khi mở điện dụng cụ điện cầm tay.** Khóa hay chìa còn gắn dính vào bộ phận quay của dụng cụ điện cầm tay có thể gây thương tích cho bản thân.
- ▶ **Không rướn người.** Luôn luôn giữ tư thế đứng thích hợp và thăng bằng. Điều này tạo cho việc điều khiển dụng cụ điện cầm tay tốt hơn trong mọi tình huống bất ngờ.
- ▶ **Trang phục thích hợp.** Không mặc quần áo rộng lung tung hay mang trang sức. Giữ tóc và quần áo xa khỏi các bộ phận chuyển động. Quần áo rộng lung tung, đồ trang sức hay tóc dài có thể bị cuốn vào các bộ phận chuyển động.
- ▶ **Nếu có các thiết bị đi kèm để nối máy hút bụi và các phụ kiện khác, bảo đảm các thiết bị này được nối và sử dụng tốt.** Việc sử dụng các thiết bị gom hút bụi có thể làm giảm các độc hại liên quan đến bụi gây ra.
- ▶ **Không để thói quen do sử dụng thường xuyên dụng cụ khiến bạn trở nên chủ quan và bỏ qua các quy định an toàn dụng cụ.** Một hành vi bất cẩn có thể gây ra thương tích nghiêm trọng chỉ trong tích tắc.

Sử dụng và bảo dưỡng dụng cụ điện cầm tay

- ▶ **Không được ép máy.** Sử dụng dụng cụ điện cầm tay đúng loại theo đúng ứng dụng của bạn. Dụng cụ điện cầm tay đúng chức năng sẽ làm việc tốt và an toàn hơn theo đúng tiến độ mà máy được thiết kế.
- ▶ **Không sử dụng dụng cụ điện cầm tay nếu như công tắc không tắt và mở được.** Bất kỳ dụng cụ điện cầm tay nào mà không thể điều khiển được bằng công tắc là nguy hiểm và phải được sửa chữa.
- ▶ **Rút phích cắm ra khỏi nguồn điện và/hay pin ra khỏi dụng cụ điện cầm tay nếu có thể tháo được, trước khi tiến hành bất kỳ điều chỉnh nào, thay phụ kiện, hay cất dụng cụ điện cầm tay.** Các biện pháp ngăn ngừa như vậy làm giảm nguy cơ dụng cụ điện cầm tay khởi động bất ngờ.
- ▶ **Cắt giữ dụng cụ điện cầm tay không dùng tới nơi trẻ em không lấy được và không cho người chưa từng biết dụng cụ điện cầm tay hay các hướng dẫn này sử dụng dụng cụ điện cầm tay.** Dụng cụ điện cầm tay nguy hiểm

khi ở trong tay người chưa được chỉ cách sử dụng.

- ▶ **Bảo quản dụng cụ điện cầm tay và các phụ kiện.** Kiểm tra xem các bộ phận chuyển động có bị sai lệch hay kẹt, các bộ phận bị rạn nứt và các tình trạng khác có thể ảnh hưởng đến sự vận hành của máy. Nếu bị hư hỏng, phải sửa chữa máy trước khi sử dụng. Nhiều tai nạn xảy ra do bảo quản dụng cụ điện cầm tay tồi.
- ▶ **Giữ các dụng cụ cắt bén và sạch.** Bảo quản đúng cách các dụng cụ cắt có cạnh cắt bén làm giảm khả năng bị kẹt và dễ điều khiển hơn.
- ▶ **Sử dụng dụng cụ điện cầm tay, phụ kiện, đầu cài v. v., đúng theo các chỉ dẫn này, hãy lưu ý đến điều kiện làm việc và công việc phải thực hiện.** Sử dụng dụng cụ điện cầm tay khác với mục đích thiết kế có thể tạo nên tình huống nguy hiểm.
- ▶ **Giữ tay cầm và bề mặt nắm luôn khô ráo, sạch sẽ và không dính dầu mỡ.** Tay cầm và bề mặt nắm trơn trượt không đem lại thao tác an toàn và kiểm soát dụng cụ trong các tình huống bất ngờ.

Bảo dưỡng

- ▶ **Đưa dụng cụ điện cầm tay của bạn đến thợ chuyên môn để bảo dưỡng, chỉ sử dụng phụ tùng đúng chủng loại để thay.** Điều này sẽ đảm bảo sự an toàn của máy được giữ nguyên.

Cảnh báo an toàn cho cửa kiểu cung

- ▶ **Các cửa kiểu cung được dùng để cắt gỗ hoặc các sản phẩm giống gỗ, không thể dùng các cửa này với các bánh mài cắt đứt để cắt các vật liệu dạng thanh, đòn, chốt.** Bụi mài mòn khiến các bộ phận chuyển động ví dụ như tấm chắn bảo vệ phía dưới bị kẹt. Các tia lửa từ quá trình mài cắt đứt sẽ đốt cháy tấm chắn bảo vệ bên dưới, lớp chèn rãnh khoét và các bộ phận bằng nhựa khác.
- ▶ **Sử dụng kẹp để đỡ phôi gia công bất cứ khi nào có thể.** Nếu đỡ phôi gia công bằng tay, phải luôn giữ tay cách xa một trong hai phía của lưỡi cửa ít nhất là 100 mm. Không sử dụng cửa này để cắt các chi tiết quá nhỏ khó kẹp chặt hoặc khó giữ chặt bằng tay. Nếu tay của bạn đặt quá gần lưỡi cửa, sẽ có nguy cơ bị thương do chạm vào lưỡi cửa.
- ▶ **Phôi gia công phải tĩnh và được kẹp chặt hoặc giữ chặt vào cả tấm chắn và bàn.** Không cho phôi gia công vào lưỡi hoặc cắt bằng tay trần dưới bất kỳ hình thức nào. Các phôi gia công động hoặc không được kim giữ có thể bắn với tốc độ cao, gây ra thương tích.
- ▶ **Đẩy cửa xuyên qua phôi gia công.** Không kéo cửa xuyên qua phôi gia công. Để cắt, hãy nâng cao đầu cửa và kéo nó qua phía trên phôi gia công mà không cắt, khởi động mô tơ, nhấn đầu cửa xuống và đẩy cửa xuyên qua phôi gia công. Việc cắt theo hành trình đi lên có thể khiến lưỡi cửa đi lên phần đỉnh của phôi gia công và làm văng mạnh cụm lưỡi cửa vào người vận hành.
- ▶ **Không được đặt tay ngang qua đường sắp cắt ở phía trước hoặc phía sau lưỡi cửa.** Việc đỡ phôi gia công bằng "hai tay chéo nhau" ví dụ như giữ phôi gia công ở bên phải của lưỡi cửa bằng tay trái và ngược lại sẽ rất nguy hiểm.
- ▶ **Không với tay ra phía sau tấm chắn mà chỉ cách mỗi phía của lưỡi cửa chưa đến 100 mm, để loại bỏ vụn gỗ, hoặc vì lý do nào khác trong khi lưỡi dao đang quay.** Độ gần giữa lưỡi cửa đang quay với bàn tay bạn có thể không rõ ràng và có thể gây ra thương tích nặng.
- ▶ **Kiểm tra phôi gia công trước khi cắt.** Nếu phôi bị cong vênh, hãy kẹp phôi gia công có mặt ngoài cong vênh vào tấm chắn. Luôn đảm bảo không có khe hở giữa phôi gia công, tấm chắn và bàn dọc theo đường cắt. Phôi cong vênh có thể bị vắn xoắn hoặc biến dạng và có thể làm kẹt lưỡi cửa đang quay trong khi cắt. Không được có đinh hoặc các vật lạ trong phôi gia công.
- ▶ **Không sử dụng cửa cho đến khi đã dọn sạch tất cả các dụng cụ, vụn gỗ, trên bàn, ngoài trừ phôi gia công.** Những mảnh vụn nhỏ, các mảnh gỗ lỏng hoặc những vật thể khác khi tiếp xúc với lưỡi dao đang quay có thể bị văng ra với tốc độ cao.
- ▶ **Mỗi lần chỉ cắt một phôi gia công.** Nhiều phôi gia công xếp chồng có thể không được kẹp chặt và gia cố chặt, do đó có thể gây kẹt hoặc làm biến dạng lưỡi cửa trong quá trình cắt.
- ▶ **Đảm bảo cửa kiểu cung đã được lắp và định vị cân bằng, gia cố bề mặt làm việc trước khi sử dụng.** Bề mặt làm việc bằng phẳng và chắc chắn sẽ giảm nguy cơ không ổn định của cửa kiểu cung.
- ▶ **Lập kế hoạch công việc.** Mỗi lần bạn thay đổi thiết lập góc xiên hoặc góc 45 độ, hãy đảm bảo tấm chắn điều chỉnh được lắp đặt đúng cách để đỡ phôi gia công và sẽ không gây trở ngại cho lưỡi cửa hay hệ thống chắn. Nếu dụng cụ không quay khi được "BẬT" và không có phôi gia công trên bàn, hãy đưa lưỡi cửa xuyên qua một đường cắt mô phỏng hoàn thiện để đảm bảo sẽ không có trở ngại hoặc nguy hiểm nào khi tấm chắn bị cắt.
- ▶ **Cung cấp đầy đủ các dụng cụ đỡ ví dụ như các phần mở rộng bàn, bệ đỡ máy cửa, vv cho loại phôi gia công rộng hơn hoặc dài hơn chóp bàn.** Các phôi gia công dài hơn hoặc rộng hơn bàn cửa kiểu cung có thể bị đổ nếu không được đỡ chắc chắn. Nếu chi tiết cắt hoặc phôi gia công bị đổ, nó có thể nhắc bóng tấm chắn

bên dưới hoặc bị văng xa bởi lưỡi cửa đang quay.

- ▶ **Không sử dụng một người khác để thay thế phần mở rộng bàn hoặc làm vật đỡ bổ sung.** Việc đỡ phôi gia công không chắc chắn có thể khiến lưỡi cửa bị kẹt hoặc phôi gia công bị biến dạng trong lúc cắt, do đó bạn và người trợ giúp có thể bị kéo vào lưỡi cửa đang quay.
- ▶ **Không được chèn hoặc nhấn chi tiết cắt bằng bất kỳ công cụ nào tỳ vào lưỡi cửa đang quay.** Nếu bị giới hạn, tức là sử dụng các cỡ chặn chiều dài, chi tiết cắt có thể bị chèn chặt vào lưỡi cửa và bị văng mạnh.
- ▶ **Luôn sử dụng kẹp hoặc đồ gá được thiết kế để đỡ các vật liệu hình tròn như thanh đòn hoặc ống.** Các thanh đòn có xu hướng lăn đi khi bị cắt, khiến lưỡi cửa bị "kẹp" và kéo sản phẩm cùng tay bạn vào lưỡi cửa.
- ▶ **Để lưỡi cửa đạt tốc độ đầy đủ trước khi cho chạm vào phôi gia công.** Việc này sẽ làm giảm nguy cơ phôi gia công bị văng đi.
- ▶ **Nếu phôi gia công hoặc lưỡi cửa bị kẹt, hãy tắt cửa kiểu cung. Chờ cho tất cả các bộ phận chuyển động dừng lại và rút phích cắm ra khỏi nguồn điện và/hoặc tháo bộ nguồn pin.** Sau đó gỡ vật liệu bị kẹt. Nếu tiếp tục cửa khi phôi gia công bị kẹt có thể gây mất kiểm soát hoặc làm hư hỏng cửa kiểu cung.
- ▶ **Sau khi cắt xong, hãy nhả công tắc, giữ đầu cửa xuống dưới và chờ cho lưỡi cửa dừng lại trước khi bỏ chi tiết cắt ra.** Với tay vào gần lưỡi cửa đang trượt xuống sẽ rất nguy hiểm.
- ▶ **Giữ tay cầm chắc chắn khi thực hiện một đường cắt chưa hoàn thiện hoặc khi nhả công tắc trước khi đầu cửa ở vị trí bên dưới.** Hành động phanh của cửa có thể khiến đầu cửa bị kéo xuống đột ngột, dẫn đến nguy cơ bị thương.
- ▶ **Giữ nơi làm việc của bạn sạch sẽ.** Các hỗn hợp vật liệu là đặc biệt nguy hiểm. Bụi kim loại nhẹ có thể cháy hoặc nổ.
- ▶ **Không được sử dụng lưỡi cửa cùn, nứt, cong hay đã bị hỏng.** Lưỡi cửa không bén hay mài đầu không đúng cách tạo ra mạch cửa hẹp dẫn đến sự ma sát quá mức, lưỡi cửa bị chèn chặt và dội ngược.
- ▶ **Không được sử dụng lưỡi cửa thép gió (HSS).** Những loại lưỡi cửa như vậy có thể vỡ dễ dàng.
- ▶ **Luôn sử dụng các lưỡi cửa đúng kích cỡ và hình dáng (lưỡi kim cương khác với lưỡi tròn) của lỗ tâm.** Các lưỡi cửa không khớp với các phụ kiện cứng ghép nối của máy cửa sẽ làm lệch tâm và có thể làm mất kiểm soát.
- ▶ **Luôn luôn đẩy cần máy trở về vị trí số không trước và sau đó tắt máy.** Luôn luôn đưa tay

máy về lại vị trí trung gian trước, rồi sau đó mới tắt máy đi.

- ▶ **Không được chạm vào lưỡi cửa sau khi vừa hoạt động xong, trước khi lưỡi cửa đã nguội.** Lưỡi cửa trở nên rất nóng trong lúc hoạt động.

Các Biểu Tượng

Các biểu tượng sau đây có khả năng diễn đạt ý nghĩa về cách sử dụng dụng cụ điện cầm tay của bạn. Xin vui lòng ghi nhận các biểu tượng và ý nghĩa của chúng. Sự hiểu đúng các biểu tượng sẽ giúp bạn sử dụng máy một cách tốt và an toàn hơn.

Biểu tượng và các ý nghĩa của chúng



Để tay tránh khỏi phạm vi cắt khi máy đang hoạt động. Có nguy cơ gây thương tích khi chạm vào lưỡi cửa.



Hãy mang mặt nạ chống bụi.



Hãy mang kính bảo hộ.



Hãy mang dụng cụ bảo vệ tai. Để tai trần tiếp xúc với tiếng ồn có thể làm mất thính giác.



Phạm vi nguy hiểm! Để tay, ngón tay hay cánh tay ra xa khỏi phạm vi này.



Không đưa ngón tay vào giữa các chi tiết của cần trượt. Nguy hiểm do các ngón tay bị nghiền hay giập và bị thương tích nghiêm trọng.

3 601 M27 04.
3 601 M27 0L.
3 601 M27 08.
3 601 M27 0B.
3 601 M27 0K.

∅ 254mm ∅ 25.4mm

3 601 M27 00.
3 601 M27 03.
3 601 M27 06.
3 601 M27 07.

∅ 254mm ∅ 30mm

Hãy tuân thủ kích thước của lưỡi cửa. Đường kính lỗ phải vừa vặn với trục tiếp của dụng cụ, không bị lỏng lẻo. Nếu cần sử dụng ống nối chuyển tiếp, hãy đảm bảo rằng các kích thước của ống nối chuyển tiếp phải phù hợp với độ dày thép lá và đường kính lỗ của lưỡi cửa cũng như đường kính của trục dụng cụ. Hãy sử dụng ống nối chuyển tiếp giao kèm với lưỡi cửa.

Biểu tượng và các ý nghĩa của chúng

Đường kính lưỡi cưa phải phù hợp với thông số trên biểu tượng.



Khi vận chuyển dụng cụ điện, chỉ nắm máy tại vị trí đã được chỉ rõ (phần lõm của tay nắm).



Không bao giờ được sử dụng tay nắm của cưa trượt để xé rách dụng cụ điện.



Trong các éke góc vuông, bạn cần phải dịch chuyển phần mở rộng của các ray cơ bản bên trái và bên phải hoặc di chuyển tất cả.



Cần khóa mở:
Có thể điều chỉnh góc xiên đứng.

Cần khóa đóng:
Góc xiên đứng đã điều chỉnh của cưa trượt được giữ chắc.



Chỉ rõ từng bước điều chỉnh góc xiên.

1. Nới lỏng cần khóa
2. Xoay nhẹ cần trượt sang trái
3. Điều chỉnh tâm giới hạn góc xiên đứng bằng núm xoay



Điều chỉnh tâm giới hạn góc xiên đứng bằng núm xoay:



Nghiêng lưỡi cưa sang trái (45° đến 0°)



Nghiêng lưỡi cưa sang phải (0° đến 45°)



Toàn bộ khu vực xoay của cưa trượt (-47° đến +47°)



Để điều chỉnh các góc vát theo ngẫu nhiên, bàn cưa phải di động tự do và mấu khóa khổng chế góc vát phải được khóa lại:



- Kéo cần điều khiển ❶ và đồng thời nhấn mấu khóa khổng chế góc vát phía trước xuống dưới ❷.

Mô Tả Sản Phẩm và Đặc Tính Kỹ Thuật

Đọc kỹ mọi cảnh báo an toàn và mọi hướng dẫn. Không tuân thủ mọi cảnh báo và hướng dẫn được liệt kê dưới đây có thể bị điện giật, gây cháy và / hay bị thương tật nghiêm trọng.

Xin lưu ý các hình minh họa trong phần trước của hướng dẫn vận hành.

Sử dụng đúng cách

Dụng cụ điện được thiết kế là máy đặt cố định để cắt gỗ theo đường thẳng và chéo. Có thể đạt góc vát ngang từ -52° đến +60° cũng như góc xiên đứng từ 47° (bên trái) đến 47° (bên phải).

Năng suất của dụng cụ điện được thiết kế để cưa gỗ cứng và gỗ mềm như tấm gỗ ép và tấm xơ ép. Khi sử dụng lưỡi cưa thích hợp, việc cưa nhôm định hình và nhựa cũng có thể được.

Các bộ phận được minh họa

Sự đánh số các biểu trưng của sản phẩm là để tham khảo hình minh họa của máy trên trang hình ảnh.

- (1) Túi chứa bụi
- (2) Cần khóa cơ cấu trượt
- (3) Tay Nắm
- (4) Núm nhà khóa của công tắc Tắt/Mở
- (5) Chắn bảo vệ lưỡi
- (6) Chắn đàn hồi bảo vệ lưỡi
- (7) Chắn điều chỉnh được
- (8) thước dẫn hướng
- (9) Thanh chèn
- (10) Mấu khóa khổng chế góc vát
- (11) Núm khóa dành cho các góc vát khác nhau (ngang)
- (12) Cần điều chỉnh góc vát (ngang)
- (13) Cần khóa cố định các góc vát khác nhau (đứng)
- (14) Mấu khóa cho góc vát tiêu chuẩn (ngang)
- (15) Lỗ lắp bắt
- (16) Thanh nổi mở rộng
- (17) Chỗ lõm để nắm
- (18) Tay gạt siết của phần nổi dài giá đỡ
- (19) Gá kẹp nhanh
- (20) Bánh lăn
- (21) Chỉ báo góc cho tâm giới hạn góc xiên phải (0° đến 47°) (đứng)
- (22) Bộ phận dẫn phoi
- (23) Cần trượt
- (24) Vít điều chỉnh cỡ định độ sâu

- | | |
|--|---|
| (25) Cờ định độ sâu | (43) Vít lục giác để cố định lưới cửa |
| (26) Khóa an toàn dùng khi di chuyển | (44) Bích kẹp |
| (27) Thước đo góc xiên (đứng) | (45) Bích kẹp trong |
| (28) Hiển thị góc cho tâm giới hạn góc xiên trái (47° đến 0°) (đứng) | (46) Vít khóa cửa chấn điều chỉnh được |
| (29) Núm điều chỉnh góc xiên 22,5° (đứng) | (47) Bộ phận điều khiển chuyển động trượt |
| (30) Chia vận lục giác (6 mm/4 mm) | (48) Vít định vị giảm rung xóc |
| (31) Thước đo góc vát (ngang) | (49) Lỗ để gắn gá kẹp nhanh |
| (32) Núm xoay dùng để điều chỉnh tâm giới hạn góc xiên (dọc) | (50) Thanh ren |
| (33) Bàn cửa | (51) Vạch chỉ độ góc cho góc vát (ngang) |
| (34) Lưới cửa | (52) Công tắc Tắt/Mở |
| (35) Cút nối ống hút | (53) Vít bắt thanh chèn |
| (36) Vít khóa cầu thanh | (54)/ (55)/ (56) Vít định vị để thiết lập cơ bản 0° (góc xiên đứng) |
| (37) Vít khóa cửa cầu thanh chấn đàn hồi bảo vệ lưới | (57) Vít định vị để thiết lập cơ bản 45° (góc xiên đứng trái) |
| (38) Cầu thanh của chấn đàn hồi bảo vệ lưới | (58) Vít định vị để thiết lập cơ bản 45° (góc xiên đứng phải) |
| (39) Vít cố định trước (Nắp chụp/chấn đàn hồi bảo vệ lưới) | (59) Vít định vị của thước chia độ cho các góc vát |
| (40) Vít cố định sau (Nắp chụp/chấn đàn hồi bảo vệ lưới) | (60) Vít bắt vạch chỉ độ góc (ngang) |
| (41) Nắp chụp | (61) Vít định vị lực kẹp của tay kẹp cho góc xiên bất kỳ (đứng) |
| (42) Khóa trục | (62) Dải khóa dán dính |

Thông số kỹ thuật

Máy Cửa Vát Trượt		GCM 10 GDJ	GCM 10 GDJ
Mã số máy		3 601 M27 04. 3 601 M27 0L. 3 601 M27 08. 3 601 M27 0B. 3 601 M27 0K.	3 601 M27 00. 3 601 M27 03. 3 601 M27 06. 3 601 M27 07.
Công suất vào danh định	W	2000	2000
Tốc độ không tải	min ⁻¹	5000	5000
Làm giảm cường độ dòng điện khi khởi động		●	●
Trọng lượng theo Quy trình EPTA-Procedure 01:2014	kg	31,6	31,6
Cấp độ bảo vệ		□/II	□/II
Kích thước lưới cửa phù hợp			
Đường kính lưới cửa	mm	254	254
Độ dày lưới	mm	1,7–2,6	1,7–2,6
Chiều rộng vết cắt tối đa	mm	3,2	3,2
Lỗ lắp lưới cắt	mm	25,4	30

Các giá trị đã cho có hiệu lực cho điện thế danh định [U] 230 V. Đối với điện thế thấp hơn và các loại máy dành riêng cho một số quốc gia, các giá trị này có thể thay đổi.

Kích thước vật gia công cho phép (tối đa/tối thiểu): (xem „Kích Thước Vật gia Công Cho Phép“, Trang 102)

Sự lắp vào

- ▶ **Phòng ngừa máy khởi động bất ngờ.** Trong khi lắp ráp hay có việc làm gì trên máy, phích cắm điện phải được rút ra khỏi nguồn cấp điện.

Các món được giao



Vui lòng tham khảo hình minh họa phạm vi giao hàng ở đầu hướng dẫn vận hành.

Trước khi vận hành lần đầu, hãy kiểm tra dụng cụ điện xem tất cả các bộ phận theo thiết kế có được cung cấp đầy đủ không:

- Cửa tấm với lưới cửa được lắp (34)
- Núm khóa (11)
- Quai kẹp (13) với vít định vị
- Thanh nối mở rộng (16) và cần kẹp (18) với bộ vít định vị
- Túi chứa bụi (1)
- Chia vận lục giác (30)
- Gá kẹp nhanh (19)

Lưu ý: Hãy kiểm tra dụng cụ điện xem có hư hỏng nào không.

Trước khi tiến hành sử dụng máy, kiểm tra cẩn thận xem tất cả các chi tiết dùng bảo vệ hay các bộ phận bị hư hỏng nhẹ có hoạt động tốt và theo đúng quy định không. Tất cả các hư hỏng nhẹ phải được kiểm tra cẩn thận để bảo đảm sự hoạt động của dụng cụ được hoàn hảo. Tất cả các bộ phận phải được lắp ráp đúng cách và tất cả các điều kiện cần có phải được đáp ứng đúng và đủ để bảo đảm sự hoạt động được hoàn hảo.

Các chi tiết bảo vệ và các bộ phận hư hỏng phải được thay ngay thông qua một trung tâm bảo hành-bảo trì được ủy nhiệm.

Các dụng cụ phụ trợ cần thiết (không nằm trong phạm vi giao kèm):

- Chia vận vít bốn cạnh
- Chia vận kiểu bánh cóc (Cỡ: 8 mm)
- Chia vận ống lồng, chia vận điều chỉnh hoặc chia vận ống 10 mm và 17 mm)

Lắp Ráp Các Thành Phần Chi Tiết

- Lấy tất cả các bộ phận được giao kèm theo máy ra khỏi bao bì một cách cẩn thận.
- Lấy tất cả các gói tài liệu hướng dẫn và các phụ kiện giao kèm ra khỏi máy.

Lắp núm khóa (xem hình a)

- Vận núm khóa (11) vào trong lỗ khoan tương ứng bên trên cần (12).
- ▶ **Luôn vận núm khóa thật chặt (11) trước khi cửa.** Nếu không, lưới cửa có thể bị kẹp chặt trong vật gia công.

Lắp quai kẹp cho góc vát bất kỳ (đọc) (xem hình a)

Sử dụng bộ vít định vị giao kèm để lắp quai kẹp (13) (Chia vận ống lồng, đai ốc, 2 vòng đệm).

- Cắm các bộ phận riêng lẻ theo thứ tự hiển thị (vòng đệm lớn, quai kẹp, vòng đệm nhỏ, đai ốc) lên bu lông ren ở dụng cụ điện.
- Để đảm bảo khả năng truyền lực lớn nhất khi siết đai ốc, hãy chèn chia vận lục giác (30) được giao kèm qua các lỗ của chia vận kiểu ống lồng.
- Siết chặt đai ốc.

Lắp thanh nối mở rộng (xem Hình b)

Sử dụng bộ siết chặt được cấp kèm để lắp thanh nối dài giá đỡ (16) (2 tay gạt siết (18), 2 bulông lò xo, 2 vít có đầu lặn nhám).

- Di chuyển thanh nối dài giá đỡ (16) đến cỡ chặn vào các lỗ thích hợp trên bàn máy cửa (33).
- Vận vít đầu có khóa bằng tay hoàn toàn vào lỗ khoan phù hợp.
- Đặt cần kẹp lên đầu của vít đầu có khóa (18).
- Cố định cần kẹp (18) bằng vít lò xo.
- Tăng lực kẹp của cần kẹp (18), bằng cách siết chặt vít lò xo bằng chia vận lục giác giao kèm (30).

Lắp bắt cố định hay linh hoạt

- ▶ **Để bảo đảm sự điều khiển được an toàn, máy phải được lắp bắt lên trên một bề mặt phẳng và vững chãi (vd. bàn thợ) trước khi sử dụng.**

Lắp ráp trên bề mặt gia công (xem Hình c1)

- Bắt chắc dụng cụ điện bằng loại vít lắp bắt thích hợp lên trên bề mặt gia công. Các lỗ khoan dùng cho mục đích này (15).

hoặc

- Kẹp dụng cụ điện bằng loại hàm kẹp có trên thị trường, và kẹp các chân máy vào bề mặt gia công.

Lắp ráp trên bàn làm việc Bosch (Xem Hình c2)

(GTA 2500 W, GTA 3700, GTA 3800)

Với các chân có thể điều chỉnh được chiều cao, giá cửa GTA Bosch tạo được sự vững chắc cho dụng cụ điện khi đặt trên bất kỳ bề mặt nào. Chi tiết gia công hỗ trợ của giá cửa được sử dụng để làm nền đỡ cho vật gia công dài.

- ▶ **Hãy đọc mọi cảnh báo và hướng dẫn đính kèm giá cửa.** Không tuân thủ các cảnh báo an toàn và hướng dẫn có thể dẫn đến việc bị điện giật, cháy và/hoặc gây ra thương tích nghiêm trọng.
- ▶ **Lắp ráp giá cửa đúng cách trước khi gắn dụng cụ điện.** Sự lắp ráp hoàn hảo là quan trọng để ngăn ngừa nguy cơ bị sập.
- Gắn lắp dụng cụ điện lên giá cửa ở tư thế vận chuyển.

Hút Dăm/Bụi

Mặt bụi từ các vật liệu được sơn phủ ngoài có chứa chì trên một số loại gỗ, khoáng vật và kim loại có thể gây nguy hại đến sức khỏe con người. Dụng cụ chạm hay hít thở các bụi này có thể làm người sử dụng hay đứng gần bị dị ứng và/hoặc gây nhiễm trùng hệ hô hấp.

Một số mặt bụi cụ thể, ví dụ như bụi gỗ sồi hay dâu, được xem là chất gây ung thư, đặc biệt là có liên quan đến các chất phụ gia dùng xử lý gỗ (chất cromat, chất bảo quản gỗ). Có thể chỉ nên để thợ chuyên môn gia công các loại vật liệu có chứa amiăng.

- Cách xa ở mức có thể được, sử dụng hệ thống hút thích hợp cho loại vật liệu.
- Tạo không khí thông thoáng nơi làm việc.
- Khuyến nghị nên mang mặt nạ phòng độc có bộ lọc cấp P2.

Tuân thủ các qui định của quốc gia bạn liên quan đến loại vật liệu gia công.

► Tránh không để rác tích tụ tại nơi làm việc. Rác có thể dễ dàng bắt lửa.

Sự hút bụi/dăm có thể bị bụi, dăm hay các mảnh nhỏ của vật gia công làm cho tắc nghẽn lại.

- Tắt máy và kéo phích cắm điện nguồn ra khỏi ổ cắm.
- Hãy chờ cho đến khi lưới cửa dừng hẳn.
- Xác định nguyên nhân làm tắc nghẽn và chỉnh sửa lại.

Hệ thống hút bụi tích hợp (xem Hình d)

Để dễ dàng hứng các vỏ bào, hãy sử dụng túi chứa bụi kèm theo (1).

- Cắm và xoay túi chứa bụi (1) lên nút nối ống hút (35), sao cho chốt của nút nối ống hút khớp vào khe trên túi chứa bụi.

Trong thời gian cửa, túi đựng bụi không được chạm vào các bộ phận chuyển động được của máy.

Luôn luôn trút sạch túi đựng bụi đúng lúc.

► Kiểm tra và làm sạch túi chứa bụi sau mỗi lần sử dụng.

► Khi cửa vật liệu bằng nhôm, tháo túi chứa bụi ra để ngăn nguy cơ gây cháy.

Máy Hút Bụi Ngoài

Trên đầu nối hút (35) bạn cũng có thể lắp một vòi hút bụi (Ø mm) để hút.

- Gắn ống hút bụi với đầu nối hút (35).

Máy hút bụi phải thích hợp dành cho loại vật liệu đang gia công.

Khi hút bụi khô loại đặc biệt gây nguy hại đến sức khỏe hoặc gây ra ung thư, hãy sử dụng máy hút bụi loại chuyên dụng.

Làm Sạch Cút nối ống hút

Để đảm bảo sự hút được tốt nhất, Cút nối ống hút (35) phải được làm sạch thường xuyên.

- Kéo cút nối ống hút (35) ra khỏi phần tổng mặt cửa (36) bằng động tác xoay.
- Tháo gỡ các mảnh vụn và dăm của vật gia công.
- Gắn Cút nối ống hút lên trên bộ phận tổng mặt cửa như trước bằng động tác xoay cho đến khi khớp vào lên trên vòng giữ bộ phận tổng mặt cửa.

Thay lưới cửa (xem Hình e1–e4)

► Trước khi tiến hành bất cứ việc gì trên máy, kéo phích cắm điện nguồn ra.

► Khi lắp ráp lưới cửa, hãy mang găng tay bảo hộ vào. Nếu chạm vào lưới cửa sẽ có nguy cơ bị thương.

Chỉ sử dụng lưới cửa có tốc độ tối đa cho phép cao hơn tốc độ không tải của dụng cụ điện.

Chỉ sử dụng lưới cửa phù hợp với các đặc tính kỹ thuật được ghi rõ trong các hướng dẫn sử dụng và đã được thử nghiệm, và được đánh dấu đáp ứng tiêu chuẩn EN 847-1.

Chỉ sử dụng lưới cửa do nhà sản xuất máy khuyến nghị, và thích hợp để cửa loại vật liệu được gia công cắt. Điều này giúp tránh được quá nhiệt rằng cửa khi cửa.

Tháo Lưới Cửa

- Đặt máy ở vào tư thế hoạt động.
- Nới lỏng vít khóa (37) bằng chìa vạn lực giác (6 mm) (30), cho đến khi cầu thanh (38) có thể treo tự do.
- Nới lỏng vít cố định (39) (khoảng 2 vòng) bằng chìa vạn lực giác (4 mm) (30). Không được tháo vít ra hoàn toàn.
- Nới lỏng vít cố định (40) (khoảng 6 vòng) bằng chìa vạn lực giác (4 mm) (30). Không được tháo vít ra hoàn toàn.
- Kéo nắp chụp (41) ra khỏi vít bắt cố định (40) hướng xuống dưới về phía trước.
- Xoay chắn đàn hồi bảo vệ lưới (6) ra phía sau và giữ nó ở vị trí này.
- Treo cầu thanh (38) bên trên vít bắt cố định thông qua lỗ bắt bu-loong (40). Cách này giữ cho chắn đàn hồi bảo vệ lưới nằm ở vị trí mở.
- Vặn vít đầu có lỗ sáu cạnh (43) bằng cơ lê lỗ sáu cạnh (6 mm) (30) và đồng thời nhấn khóa hãm trực (42), cho đến khi vào khớp.
- Bấm giữ khóa hãm trực (42) và xoay vít lục giác (43) theo chiều kim đồng hồ (ren trái).
- Tháo bích kẹp (44).
- Tháo lưới cửa (34).

Lắp Lưới Cửa

► Khi lắp lưới cửa, hãy lưu ý rằng chiều cắt của răng (chiều của mũi tên trên lưới cửa) cùng chiều với chiều mũi tên trên chắn bảo vệ!

Nếu thấy cần, làm sạch tất cả các bộ phận sắp lắp vào trước khi ráp.

- Lắp lưới cửa mới vào lên trên bích kẹp trong (45).
- Đặt bích kẹp (44) và vít lục giác (43) lên. Bấm khóa hãm trục (42) cho đến khi vào khớp và vặn chặt vít sáu cạnh ngược chiều kim đồng hồ.
- Nới lỏng cầu thanh (38) của vít cố định (40) và kéo chấn đàn hồi bảo vệ lưới (6) xuống như trước.
- Đẩy nắp chụp (41) xuống bên dưới vít bắt cố định lại như trước (40).
- Siết cố định các ốc vít siết (40) và (39).
- Đẩy cầu thanh (38) lên vị trí ban đầu của nó và siết chặt lại vít khóa (37) bằng chìa vận lục giác (6 mm) (30).

Vận Hành

- ▶ Trước khi tiến hành bất cứ việc gì trên máy, kéo phích cắm điện nguồn ra.

Khóa an toàn dùng khi di chuyển (xem Hình A)

Khóa an toàn dùng khi di chuyển (26) cho phép xử lý dụng cụ điện dễ dàng hơn khi di chuyển máy đến các địa điểm làm việc khác nhau.

Tháo Khóa Máy (Vị Trí Hoạt Động)

- Đẩy nhẹ cần trượt (23) xuống bằng tay nắm (3) để nhả khóa an toàn dùng khi di chuyển (26).
- Kéo khóa an toàn dùng khi di chuyển (26) rời hẳn ra ngoài.
- Đẩy từ từ cần trượt (23) hướng lên trên.

Bảo Vệ An Toàn Máy (Vị Trí Di Chuyển)

- Đẩy cần trượt (23) hoàn toàn ra phía sau và cố định nó ở vị trí này.
- Đẩy cần trượt hướng xuống cho đến khi khóa an toàn dùng khi di chuyển (26) có thể đẩy hết vào bên trong.

Hướng dẫn chi tiết: Vận chuyển

Khóa Cần Trượt

Có thể khóa cơ chế trượt của cần trượt (23) nhờ sự hỗ trợ của cần kẹp (2). Cần trượt có thể nằm ở hai vị trí:

Khi cưa góc vát ngang và/hoặc góc xiên đứng, bạn phải kéo hoặc rút hẳn chấn điều chỉnh được bên trái hoặc phải (7) ra ngoài.

- Cần trượt được đẩy hoàn toàn về phía sau (để cắt đứt đoạn)
- Cần trượt được kéo hoàn toàn về phía trước (để vận chuyển được gọn gàng)

Nhả khóa cần trượt (xem hình B1)

Sau khi nhả khóa cần trượt (23), toàn bộ cơ cấu trượt đã sẵn sàng hoạt động.

- Nhấn cần khóa (2) xuống đến hết cỡ chặn.
- Ném kẹp của cần khóa nhả cả hai khớp nối đáy của cần trượt ra.

Cố định cần trượt (xem hình B2)

Cần trượt được đẩy hoàn toàn về phía sau:

- Đẩy cần trượt (23) về phía sau cho đến cỡ chặn.
- Hai khớp nối trên của cần trượt hiện tại đang ở vị trí thẳng đứng và đóng lại.
- Kéo cần khóa (2) lên trên cho đến khi ném kẹp được đặt ở vị trí giữa hai khớp nối đáy của cần trượt.
- Cách này khóa hoàn toàn không cho cần trượt (23) đẩy lùi ra sau.

Cần trượt được kéo hoàn toàn về phía trước:

- Kéo cần trượt (23) hết ra phía trước đến cỡ chặn.
- Cơ cấu trượt ở thời điểm này được mở rộng ra hoàn toàn.
- Kéo cần khóa (2) lên trên cho đến khi ném kẹp được đặt ở vị trí giữa hai khớp nối đáy của cần trượt.
- Cách này khóa hoàn toàn không cho cần trượt (23) kéo tới trước.

Chuẩn Bị cho sự Hoạt Động

Mở rộng bàn cưa (xem Hình C)

Vật gia công dài phải được đệm lót hay kê đỡ phần đầu còn trống.

Giá đỡ chi tiết gia công của bàn cưa có thể được mở rộng bằng thanh nối mở rộng (16) sang bên trái và bên phải.

- Gập cần kẹp (18) cố định vào trong.
- Kéo thanh nối mở rộng (16) ra ngoài đến chiều dài mong muốn (tối đa 204 mm).
- Để cố định phần mở rộng giá đỡ, đẩy tay gạt siết (18) ra ngoài.

Di chuyển chấn (xem Hình D–E)

Góc xiên nằm Góc vát ngang đứng

0°–47° (trái)	≤ 44° (phải/trái)	– Nới lỏng vít khóa (46). – Kéo chấn điều chỉnh được bên trái (7) ra ngoài hoàn toàn.
0°–47° (trái)	≥ 45° (phải/trái)	– Nới lỏng vít khóa (46). – Kéo chấn điều chỉnh được bên trái (7) ra ngoài hoàn toàn.

Góc xiên nằm Góc vát ngang đứng

		– Tháo chắn điều chỉnh được hướng lên trên. – Tháo vít khóa (46).
0°–47° (phải)	≤ 44° (phải/trái)	– Nới lỏng vít khóa (46) . – Kéo chắn điều chỉnh được ở bên phải (7) ra ngoài hoàn toàn.
0°–47° (phải)	≥ 45° (phải/trái)	– Tháo chắn điều chỉnh được hướng lên trên.

Điều chỉnh chống rung của cần trượt (xem Hình F)

Cơ cấu trượt của cần trượt đã được **(23)** thiết lập sẵn tại nhà máy, và không được chống rung khi giao dụng cụ điện.

Bạn có thể điều chỉnh chức năng chống rung của cơ cấu trượt riêng bằng đệm giảm chấn **(47)**:

cứng – chuyển động vận hành có kiểm soát;
mềm – cửa nhanh.

- Nới lỏng cả hai vít định vị **(48)** bằng chìa vạn dụng giác **(4 mm)** **(30)** đối với chống rung **mềm hơn**
- hoặc
- siết chặt cả hai vít định vị **(48)** đối với chống rung **cứng hơn**.

Kẹp cố định vật gia công (xem Hình G)

Để đảm bảo an toàn lao động tốt nhất, vật gia công phải luôn luôn được kẹp chặt.

Nếu không, khoảng cách từ tay của bạn đến lưỡi cửa đang quay là quá nhỏ.

- Đẩy thật sát vật gia công vào thanh chắn **(8)**.
- Lắp gá kẹp nhanh được giao kèm máy **(19)** vào một trong các lỗ khoan **(49)** được thiết kế cho nó.
- Kẹp thật chắc vật gia công bằng cách vận thanh ren **(50)** theo chiều kim đồng hồ.

Điều chỉnh Góc Xiên dọc và ngang

Để bảo đảm đường cắt chính xác, sự điều chỉnh cơ bản của máy phải được kiểm tra và điều chỉnh lại như là việc cần thiết sau khi hoạt động cao độ.

Việc này đòi hỏi phải có một mức độ kinh nghiệm nhất định và các dụng cụ chuyên môn thích hợp.

Trạm phục vụ hàng sau khi bán của Bosch sẽ xử lý việc bảo trì này một cách nhanh chóng và đáng tin cậy.

- ▶ **Luôn vận nùm khóa thật chặt (11) trước khi cửa.** Nếu không, lưỡi cửa có thể bị kẹp chặt trong vật gia công.

Điều chỉnh Góc Vát Ngang

Điều chỉnh góc vát ngang tiêu chuẩn (xem hình H)

Mẫu khóa trên bàn cửa được thiết kế để điều chỉnh nhanh và chính xác các góc vát ngang thường được sử dụng (14):

Trái	bên phải
	0°

Trái	bên phải
45°; 31,6°; 22,5°; 15°	15°; 22,5°; 31,6°; 45°; 60°

- Nới lỏng nùm khóa **(11)** trong trường hợp đã được siết chặt.
- Kéo cần **(12)** và xoay bàn cửa **(33)** về bên phải hay trái mẫu khóa theo yêu cầu.
- Thả cần ra lại. Cần phải ăn khớp với mẫu khóa.
- Siết chặt nùm khóa **(11)** lại như trước.

Điều chỉnh góc vát ngang bất kỳ (xem Hình I)

Có thể điều chỉnh góc vát ngang trong phạm vi từ 52° (bên trái) đến 60° (bên phải).

- Nới lỏng nùm khóa **(11)** trong trường hợp đã được siết chặt.
- Kéo cần **(12)** và đồng thời ấn mẫu khóa chống chế góc vát **(10)** phía trước xuống dưới. Do đó, cần **(12)** được khóa và bàn cửa có thể di chuyển linh hoạt.
- Xoay bàn cửa **(33)** qua trái hay phải bằng nùm khóa cho đến khi phần chỉ báo góc **(51)** chỉ rõ góc vát ngang yêu cầu.
- Siết chặt nùm khóa **(11)** lại như trước.
- Để nới lỏng cần **(12)** lại như trước (để điều chỉnh góc vát ngang tiêu chuẩn), hãy kéo cần lên. Mẫu khóa khổng chế góc vát **(10)** bật về vị trí ban đầu và cần **(12)** có thể khóa trở lại vào mẫu khóa **(14)**.

Điều chỉnh Góc Xiên Nằm Thẳng Đứng

Góc xiên đứng có thể được điều chỉnh trong khoảng từ 47° (bên trái) đến 47° (bên phải).

Để điều chỉnh nhanh và chính xác các góc xiên đứng thường xuyên được sử dụng, các cỡ chặn góc được thiết kế ở các mức 0°, 22,5° và 45° và 47°.

Điều chỉnh tâm giới hạn góc xiên đứng (45° đến 0°)

L

- Kéo chắn điều chỉnh được bên trái **(7)** ra ngoài hoàn toàn.
- Nới lỏng cần khóa **(13)**.
- Xoay cần trượt **(23)** bằng tay nắm **(3)** sang trái cho đến khi chỉ báo góc **(28)** hiển thị góc xiên đứng mong muốn.
- Giữ cần trượt **(23)** ở nguyên vị trí này và siết chặt cần khóa **(13)** lại như trước.
Lực kẹp giữ của cần khóa phải cố định vững chắc vị trí của cần trượt tại bất cứ góc xiên nào.

Điều chỉnh tầm giới hạn góc xiên đứng bên phải (0° đến 45°) (xem Hình J)

45° R

- Kéo chắn điều chỉnh được ở bên phải (7) ra ngoài hoàn toàn.
- Nới lỏng cần khóa (13).
- Nghiêng nhẹ cần trượt (23) bằng tay nắm (3) từ vị trí 0° sang trái và vặn núm xoay (32) cho đến khi tầm giới hạn góc xiên đứng mong muốn được hiển thị.
- Xoay cần trượt (23) bằng tay nắm (3) sang phải cho đến khi chỉ báo góc (21) chỉ rõ góc vát mong muốn.
- Giữ cần trượt (23) ở nguyên vị trí này và siết chặt cần khóa (13) lại như trước.
Lực kẹp giữ của cần khóa phải cố định vững chắc vị trí của cần trượt tại bất cứ góc xiên nào.

Điều chỉnh góc xiên đứng tiêu chuẩn 0°

Để có thể điều chỉnh nhẹ góc xiên đứng tiêu chuẩn 0° một lần nữa, núm xoay (32) khớp vào tầm giới hạn góc xiên đứng bên trái.

- Xoay cần trượt (23) từ phải qua vị trí 0°.

Điều chỉnh toàn bộ tầm giới hạn góc xiên đứng (-47° đến +47°)

47°

- Kéo cả hai thanh chắn điều chỉnh được (7) ra ngoài hoàn toàn.
- Nới lỏng cần khóa (13).
- Nghiêng nhẹ cần trượt (23) bằng tay nắm (3) từ vị trí 0° sang trái và vặn núm xoay (32) cho đến khi tầm giới hạn góc xiên đứng mong muốn được hiển thị.
- Kéo nghiêng cần trượt (23) bằng tay nắm (3) sang trái hay phải cho đến khi phần chỉ báo góc (28) hay (21) chỉ rõ góc vát mong muốn.
- Giữ cần trượt (23) ở nguyên vị trí này và siết chặt cần khóa (13) lại như trước.
Lực kẹp giữ của cần khóa phải cố định vững chắc vị trí của cần trượt tại bất cứ góc xiên nào.

Điều chỉnh góc xiên đứng tiêu chuẩn 22,5° (xem hình K)

Kéo núm điều chỉnh (29) ra ngoài hoàn toàn và xoay nó một góc 90°. Sau đó xoay cần trượt (23) bằng tay nắm (3) cho đến khi nghe thấy tiếng cần trượt khóa vào khớp.

Bắt Đầu Vận Hành

Bật (xem Hình L)

- Để **bật** dụng cụ điện, **trước tiên** đẩy khóa an toàn (4) về giữa, **tiếp theo** bấm công tắc Tắt/Mở (52) và ấn giữ.

Lưu ý: Vì lý do an toàn, không thể mở khóa công tắc Tắt/Mở (52), mà phải luôn bấm giữ trong khi vận hành dụng cụ.

Để tắt máy

- Để **Tắt máy** thả công tắc Tắt/Mở (52) ra.

Làm giảm cường độ dòng điện khi khởi động

Thiết bị điện tử làm giảm cường độ dòng điện khởi động hạn chế năng lượng điện tiêu thụ khi bật công tắc máy lên và cho phép hoạt động với cấu chi 16 ampere.

Lưu ý: Khi máy chạy hết tốc độ ngay sau khi mở máy, tính năng giảm cường độ dòng điện khởi động không hoạt động. Dụng cụ điện phải được gửi ngay đến bộ phận dịch vụ khách hàng. Địa chỉ: Dịch vụ hỗ trợ khách hàng và tư vấn sử dụng.

Hướng Dẫn Sử Dụng

Các Hướng Dẫn Cưa Tổng Quát

- ▶ **Luôn siết thật chặt núm khóa (11) và cần khóa (13) trước khi cưa.** Nếu không, lưỡi cưa có thể bị kẹp chặt trong vật gia công.
- ▶ **Luôn luôn siết chặt núm khóa (11) và cần kẹp trước khi cưa.** Nếu không, lưỡi cưa có thể bị kẹp chặt trong vật gia công.
- ▶ **Trong mọi kiểu cắt, trước tiên phải bảo đảm rằng lưỡi cưa trong bất cứ trường hợp nào cũng không thể chạm vào thanh chắn, vít ngàm khóa hay các bộ phận máy khác. Tháo cũ chặn phụ có thể đã được gắn vào hay điều chỉnh chúng cho thích ứng.**

Bảo vệ lưỡi cưa tránh bị va đập hay chạm mạnh. Không để lưỡi cưa phải chịu lực áp hông.

Chỉ cưa các vật liệu đã được phê duyệt để sử dụng đúng cách.

Không được cưa vật gia công bị cong hay bị oằn. Vật gia công phải luôn luôn có cạnh thẳng và áp sát vào thanh chắn.

Các chi tiết gia công dài và/hay nặng phải được kê đỡ ở phần đầu trống.

Đảm bảo chắn đàn hồi bảo vệ lưỡi hoạt động đúng quy định và có thể di chuyển linh hoạt. Khi kéo tay máy xuống, chắn đàn hồi bảo vệ lưỡi phải mở. Khi kéo tay máy lên, chắn đàn hồi bảo vệ lưỡi phải đóng lại trên lưỡi cưa và khóa vào vị trí trên cùng của tay máy.

Tư thế của người thao tác (xem hình M)

- ▶ **Không được đứng thẳng hàng với lưỡi cưa ở đằng trước máy. Luôn luôn đứng qua một bên lưỡi cưa.** Điều này phòng tránh cho thân thể bạn gặp khả năng bị dội ngược.

- Để tay, ngón tay và cánh tay tránh khỏi lưỡi cửa đang quay.
- Không vươn tay qua trước tay máy.

Thay thanh chèn (xem hình P)

Thanh chèn đỏ (9) có thể bị mòn sau thời gian dài sử dụng máy.

Thay thanh chèn bị hỏng.

- Đặt máy ở vào tư thế hoạt động.
- Tháo vít (53) bằng chia vận lục giác (4 mm) (30) và nhấc thanh chèn cũ ra.
- Lắp thanh chèn cánh phải mới.
- Vận thanh chèn cùng với đinh vít (53) sang phải càng xa càng tốt, sao cho lưỡi cửa không thể chạm vào thanh chèn trên toàn bộ chiều dài quãng di chuyển có thể.
- Lắp lại các bước thao tác giống như vậy cho thanh chèn cánh trái.

Kích Thước Vật gia Công Cho Phép

Vật gia công Tối đa:

Góc vát ngang	Góc xiên nằm đứng	Chiều cao x Chiều rộng [mm]
0°	0°	80 x 306
45°	0°	80 x 216
0°	45° (trái)	54 x 296
0°	45° (phải)	30 x 296
45°	45° (trái)	54 x 208
45°	45° (phải)	30 x 208

Vật gia công **Tối thiểu** (= tất cả các vật gia công có gá kẹp nhanh (19) được giao cùng máy có thể được căng ở cả hai bên trái và phải lưỡi cửa): 145 x 306 mm (Dài x Rộng)

Cỡ sâu cắt tối đa (0°/0°): 100 mm

Cửa

Cửa không chuyển động trượt (cắt đứt đoạn) (xem Hình N)

- Đẩy cần trượt (23) hoàn toàn ra phía sau và cố định nó ở vị trí này.
Hãy đảm bảo rằng cỡ định độ sâu (25) được ấn hoàn toàn vào trong và vít điều chỉnh (24) đi qua rãnh trong khi di chuyển tay máy mà không chạm vào cỡ định độ sâu.
- Kẹp vật gia công thật chặt phù hợp với kích thước của nó.
- Điều chỉnh góc vát (ngang và/hoặc đứng) mong muốn nếu cần.
- Bật công tắc cho máy hoạt động.
- Đẩy từ từ cần trượt (23) bằng tay nắm (3) xuống.
- Cắt xuyên qua vật gia công với lực áp lên máy đồng đều.
- Tắt máy và đợi cho đến khi lưỡi cửa đã ngừng quay hoàn toàn.

- Đẩy từ từ cần trượt (23) hướng lên trên.

Cửa với chuyển động trượt (xem hình O)

► Trước khi mở máy và trong suốt thời gian cửa đến khi hoàn tất, giữ chắc tay nắm.

Trong khi cửa, thực hiện việc kiểm soát sự chuyển động bằng cần trượt. Một giây phút thiếu tập trung trong khi vận hành, cần trượt hoạt động cực kỳ nhanh nhạy có thể gây thương tích nghiêm trọng cho bản thân.

- Nhả khóa cần trượt (23).
Kiểm tra bằng cách kéo đẩy cần trượt (23) xem toàn bộ cơ cấu trượt có thể sử dụng được không.
- Kẹp vật gia công thật chặt phù hợp với kích thước của nó.
- Điều chỉnh góc vát (ngang và/hoặc đứng) mong muốn nếu cần.
- Kéo cần trượt (23) bằng tay nắm (3) cách xa thanh chắn (8) sao cho lưỡi cửa nằm trước vật gia công.
- Bật công tắc cho máy hoạt động.
- Đẩy từ từ cần trượt (23) bằng tay nắm (3) xuống.
- Bấy giờ, đẩy cần dụng cụ (23) hướng tới thanh chắn (8) và cửa ngang vật gia công với lực gia tải đồng đều.
- Tắt máy và đợi cho đến khi lưỡi cửa đã ngừng quay hoàn toàn.
- Đẩy từ từ cần trượt (23) hướng lên trên.

Điều chỉnh cỡ định độ sâu (Cửa rãnh) (xem hình Q)

Phải điều chỉnh cỡ định độ sâu khi cửa rãnh hay dùng miếng đệm.

- Xoay cỡ định độ sâu (25) hướng ra ngoài.
- Xoay cỡ định độ sâu (23) bằng tay nắm (3) vào vị trí mong muốn.
- Vận vít điều chỉnh (24) cho đến khi mũi vít chạm vào cỡ định độ sâu (25).
- Đẩy từ từ cần trượt (23) hướng lên trên.



Vật Gia Công Đặc Biệt

Khi cửa vật gia công có đường cong hay tròn, những vật này đặc biệt cần phải được giữ cho chắc chắn, tránh không để bị tuột. Tại đường cắt, không được có khe hở nào giữa vật gia công, thanh chắn và bàn cửa.

Nếu cần, gia cố thêm sự cố định một cách đặc biệt.

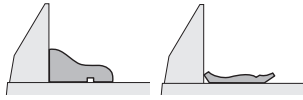
Xử lý dải biên dạng

Chỉ gia công chỉ trang trí định hình theo hai cách khác nhau:

Định vị trí của vật gia công	Sàn	Trần
– được đặt tỉ vào thanh chắn		

Định vị trí của vật gia công

- Nằm phẳng trên bàn cưa



Thêm vào đó, sự cắt có thể được thực hiện bằng chuyển động trượt hay không còn tùy thuộc vào bề dày của chỉ trang trí định hình/gờ đúc.

Trước tiên, luôn thử góc vát đã điều chỉnh (ngang và/hoặc đứng) bằng một mẫu gỗ bỏ đi.

Kiểm tra và điều chỉnh các thiết lập cơ bản

Để bảo đảm đường cắt chính xác, sự điều chỉnh cơ bản của máy phải được kiểm tra và điều chỉnh lại như là việc cần thiết sau khi hoạt động cao độ.

Việc này đòi hỏi phải có một mức độ kinh nghiệm nhất định và các dụng cụ chuyên môn thích hợp.

Trạm phục vụ hàng sau khi bán của Bosch sẽ xử lý việc bảo trì này một cách nhanh chóng và đáng tin cậy.

Điều chỉnh góc xiên đứng tiêu chuẩn 0°

- Đưa máy vào vị trí vận chuyển.
- Xoay bàn cưa (33) đến mẫu khóa (14) để đạt 0°. Cần (12) phải ăn khớp vào mẫu khóa.

Kiểm tra (xem hình R1)

- Chính thước đo góc đến 90° và đặt nó lên bàn cưa (33).

Chân thước đo góc phải nằm ngang bằng với lưỡi cưa (34) dọc theo toàn bộ chiều dài.

Điều chỉnh (xem hình R2)

- Nới lỏng cần khóa (13).
- Nới lỏng cả hai vít định vị (54) (ít nhất là 1 vòng) bằng chia vận ống (cỡ 10 mm).
- Nới lỏng vít định vị (56) (khoảng 3 vòng) bằng chia vận lục giác (4 mm) (30).
- Vận vít định vị (55) bằng chia vận lục giác (4 mm) (30) vào hoặc ra cho đến khi chân thước góc nằm ngang bằng với lưỡi cưa dọc theo toàn bộ chiều dài.
- Siết chặt cần khóa (13) lại như trước. Sau đó, siết chặt vít định vị (56) rồi đến vít định vị (54) lại như trước.

Nếu chỉ báo góc (28) và (21) không thẳng hàng với vạch 0° của thước đo (27) sau khi điều chỉnh, hãy nới lỏng vít cố định của hiển thị góc bằng chia vận vít bên cạnh và căn chỉnh chỉ báo góc dọc theo vạch 0°.

Điều chỉnh góc xiên đứng tiêu chuẩn 45° (trái)

- Đặt máy ở vào tư thế hoạt động.
- Xoay bàn cưa (33) đến mẫu khóa (14) để đạt 0°. Cần (12) phải ăn khớp vào mẫu khóa.
- Kéo chắn điều chỉnh được bên trái (7) ra ngoài hoàn toàn.

- Nới lỏng cần khóa (13) và xoay cần trượt bằng tay nắm (3) sang trái cho đến cỡ chặn (45°).

Kiểm tra (xem hình S1)

- Chính thước góc đến 45° và đặt lên bàn cưa (33).

Chân thước đo góc phải nằm ngang bằng với lưỡi cưa (34) dọc theo toàn bộ chiều dài.

Điều chỉnh (xem Hình S2)

- Vận vít định vị (57) bằng chìa vận kiểu bánh cóc (8 mm) vào hoặc ra cho tới khi chân của thước góc ngang bằng với lưỡi cưa dọc theo hết chiều dài.

- Siết chặt cần khóa (13) lại như trước.

Khi phần chỉ báo góc (28) và (21) không thẳng hàng với vạch 45 của thước đo (27) sau khi điều chỉnh, trước tiên, kiểm tra sự chính đặt 0° đối với góc xiên đứng và phần chỉ báo góc thêm một lần nữa. Sau đó, lặp lại bước điều chỉnh góc xiên đứng 45°.

Góc xiên đứng tiêu chuẩn 45° (phải)

- Đặt máy ở vào tư thế hoạt động.
- Xoay bàn cưa (33) đến mẫu khóa (14) để đạt 0°. Cần (12) phải ăn khớp vào mẫu khóa.
- Kéo chắn điều chỉnh được bên phải (7) ra ngoài hoàn toàn.

- Nới lỏng cần khóa (13).

- Nghiêng nhẹ cần trượt bằng tay nắm (3) từ vị trí 0° sang trái và vận núm xoay (32) cho đến khi tầm giới hạn góc xiên đứng mong muốn được hiển thị.

- Xoay cần trượt bằng tay nắm (3) sang phải đến cỡ chặn (45°).

Kiểm tra (xem hình T1)

- Chính thước góc đến 135° và đặt lên bàn cưa (33).

Chân thước đo góc phải nằm ngang bằng với lưỡi cưa (34) dọc theo toàn bộ chiều dài.

Điều chỉnh (xem Hình T2)

- Vận vít định vị (58) bằng chìa vận kiểu bánh cóc (8 mm) vào hoặc ra cho tới khi chân của thước góc ngang bằng với lưỡi cưa dọc theo hết chiều dài.

- Siết chặt cần khóa (13) lại như trước.

Khi phần chỉ báo góc (28) và (21) không nằm cùng hàng với vạch 45° của thước đo (27) sau khi điều chỉnh, trước tiên, kiểm tra sự chính đặt 0° đối với góc xiên đứng và phần chỉ báo góc thêm một lần nữa. Sau đó, lặp lại bước điều chỉnh góc xiên đứng 45°.

Căn chỉnh thước cho góc xiên ngang

- Đặt máy ở vào tư thế hoạt động.
- Xoay bàn cưa (33) đến mẫu khóa (14) để đạt 0°. Cần (12) phải ăn khớp vào mẫu khóa.

Kiểm tra (xem hình U1)

- Chính thước góc đến 90° rồi đặt giữa thanh chắn (8) và lưới cửa (34) trên bàn cửa (33).

Chân thước đo góc phải nằm ngang bằng với lưới cửa (34) dọc theo toàn bộ chiều dài.

Điều chỉnh (xem Hình U2)

- Nới lỏng tất cả bốn vít định vị (59) bằng chìa vặn lục giác (4 mm) (30) và xoay bàn cửa (33) cùng với thước (31) cho đến khi chân của thước góc ngang bằng với lưới cửa dọc theo toàn bộ chiều dài.

- Siết chặt các vít lại như cũ.

Nếu chỉ báo góc (51) không nằm thẳng với vạch 0° trên thước (31) sau khi điều chỉnh, hãy nới lỏng vít (60) bằng tuốc nơ vít đầu Phillips thông dụng và căn chỉnh chỉ báo góc dọc theo vạch 0°.

Điều chỉnh lực kẹp của cần khóa (13) (xem hình V)

Lực kẹp của cần khóa (13) có thể điều chỉnh lại được.

Kiểm tra

- Lực kẹp giữ của cần khóa phải cố định vững chắc vị trí của cần trượt tại bất cứ góc xiên nào.

Điều chỉnh

- Nới lỏng cần khóa (13).
- Vặn vít định vị (61) ngược chiều kim đồng hồ bằng chìa vặn ống (cỡ 17 mm) để làm giảm lực kẹp, hoặc vặn theo chiều kim đồng hồ để làm tăng lực kẹp.
- Điều chỉnh góc xiên đứng, siết chặt cần khóa (13) lại lần nữa và kiểm tra xem liệu lực kẹp yêu cầu đã được đáp ứng.

Vận chuyển (xem Hình W)

Trước khi vận chuyển dụng cụ điện, phải tiến hành các bước như sau:

- Đẩy cần trượt (23) hoàn toàn ra phía sau và cố định nó ở vị trí này (xem "Cố định cần trượt", trang 23).
- Hãy đảm bảo rằng cỡ định độ sâu (25) được ấn hoàn toàn vào trong và vít điều chỉnh (24) đi qua rãnh trong khi di chuyển tay máy mà không chạm vào cỡ định độ sâu.
- Đẩy cần trượt hướng xuống cho đến khi khóa an toàn dùng khi di chuyển (26) có thể đẩy hết vào bên trong
- Đẩy thanh nối mở rộng (16) hết vào trong.
- Chính một góc xiên đứng 0° và siết chặt cần khóa (13).
- Xoay bàn cửa (33) sang trái đến cỡ chặn và vặn chặt núm khóa (11).
- Dùng dải băng dính (62) bó cáp mạng vào với nhau.
- Nếu có thể, đặt những lưới cửa không được sử dụng tới vào trong một bao bì đóng gói để chuyển vận.

- Nếu có thể, đặt những lưới cửa không được sử dụng tới vào trong một bao bì đóng gói để chuyển vận.

- Vận chuyển dụng cụ điện bằng cách cầm vào hốc nắm (17) ở bên cạnh bàn cửa.

- ▶ **Chỉ sử dụng thiết bị vận chuyển khi di chuyển dụng cụ điện và không bao giờ sử dụng các bộ phận bảo vệ, cần trượt (23) hoặc tay nắm (3).**

Bảo Dưỡng và Bảo Quản**Bảo Dưỡng Và Làm Sạch**

- ▶ **Trước khi tiến hành bất cứ việc gì trên máy, kéo phích cắm điện nguồn ra.**

- ▶ **Để được an toàn và máy hoạt động đúng chức năng, luôn luôn giữ máy và các khe thông gió được sạch.**

Nếu như cần phải thay dây dẫn điện thì công việc này phải do hãng **Bosch**, hay một đại lý được **Bosch** ủy nhiệm thực hiện để tránh gặp sự nguy hiểm do mất an toàn.

Chấn bảo vệ lưới dàn hồi phải luôn luôn có thể chuyển động tự do, cơ tự động. Vì vậy, luôn luôn giữ cho phạm vi chung quanh chấn bảo vệ lưới dàn hồi được sạch.

Làm sạch bụi và dăm sau mỗi lần sử dụng máy bằng cách dùng hơi nén để thổi hay bằng cọ.

- Làm sạch bánh lăn (20) và cần trượt thường xuyên (23).

Phụ kiện

	Mã số máy
Gá kẹp nhanh	1 609 B06 203
Thanh chèn	1 609 B04 263 1 609 B04 264
Túi chứa bụi	1 609 B02 595
Cút nối ống hút	2 607 001 977

Hộp lệ cho các kiểu sau đây:

3 601 M27 04./... 0L./... 08./... 0B./... 0K.

Lưới cửa gỗ và vật liệu dạng tấm, ván ô và nẹp

Lưới cửa 254 x 25,4 mm, 40 răng	2 608 676 047
---------------------------------	---------------

Lưới cửa gỗ cứng, vật liệu tổng hợp, nhựa và kim loại màu

Lưới cửa 254 x 25,4 mm, 40 răng	2 608 640 969
Lưới cửa 254 x 25,4 mm, 40 răng	2 608 640 970
Lưới cửa 254 x 25,4 mm, 40 răng	2 608 640 971

Hộp lệ cho các kiểu sau đây:

3 601 M27 00./... 03./... 07./... 06.

Mã số máy**Lưới cưa gỗ và vật liệu dạng tấm, ván ô và nẹp**

Lưới cưa 254 x 30 mm, 40 răng 2 608 642 530

Lưới cưa gỗ cứng, vật liệu tổng hợp, nhựa và kim loại màu

Lưới cưa 254 x 30 mm, 80 răng 2 608 642 528

Dịch vụ hỗ trợ khách hàng và tư vấn sử dụng

Bộ phận phục vụ hàng sau khi bán của chúng tôi trả lời các câu hỏi liên quan đến việc bảo dưỡng và sửa chữa các sản phẩm cũng như phụ tùng thay thế của bạn. Sơ đồ mô tả và thông tin về phụ tùng thay thế cũng có thể tra cứu theo dưới đây:

www.bosch-pt.com

Đội ngũ tư vấn sử dụng của Bosch sẽ giúp bạn giải đáp các thắc mắc về sản phẩm và phụ kiện.

Trong tất cả các phản hồi và đơn đặt phụ tùng, xin vui lòng luôn luôn nhập số hàng hóa 10 chữ số theo nhân của hàng hóa.

Việt Nam

CN CÔNG TY TNHH BOSCH VIỆT NAM TẠI TP.HCM

Tầng 14, Ngôi Nhà Đức, 33 Lê Duẩn
Phường Bến Nghé, Quận 1, Thành Phố Hồ Chí Minh

Tel.: (028) 6258 3690

Fax: (028) 6258 3692 - 6258 3694

Hotline: (028) 6250 8555

Email: tuvankhachhang-pt@vn.bosch.comwww.bosch-pt.com.vnwww.baohanhbosch-pt.com.vn**Xem thêm địa chỉ dịch vụ tại:**www.bosch-pt.com/serviceaddresses**Sự thải bỏ**

Máy, linh kiện và bao bì phải được phân loại để tái chế theo hướng thân thiện với môi trường.



Không được thải bỏ dụng cụ điện vào chung với rác sinh hoạt!