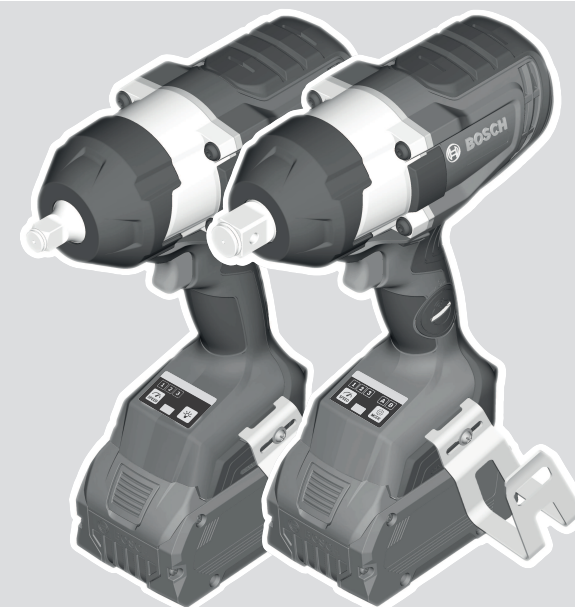




GDS Professional **HEAVY DUTY**

18V-1000 | 18V-1050 H | 18V-1000 C | 18V-1050 HC



Robert Bosch Power Tools GmbH
70538 Stuttgart
GERMANY

www.bosch-pt.com

1 609 92A 6HV (2021.05) AS / 107

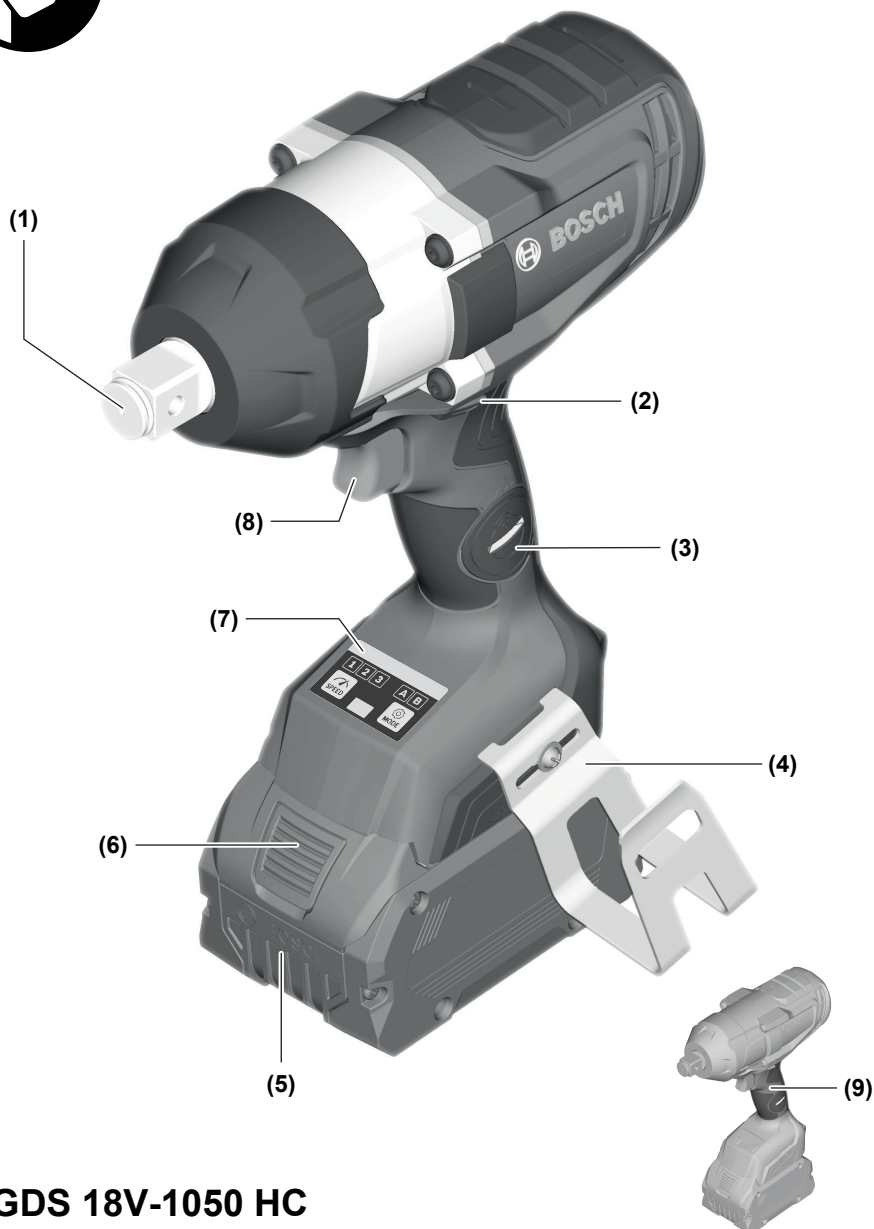


1 609 92A 6HV

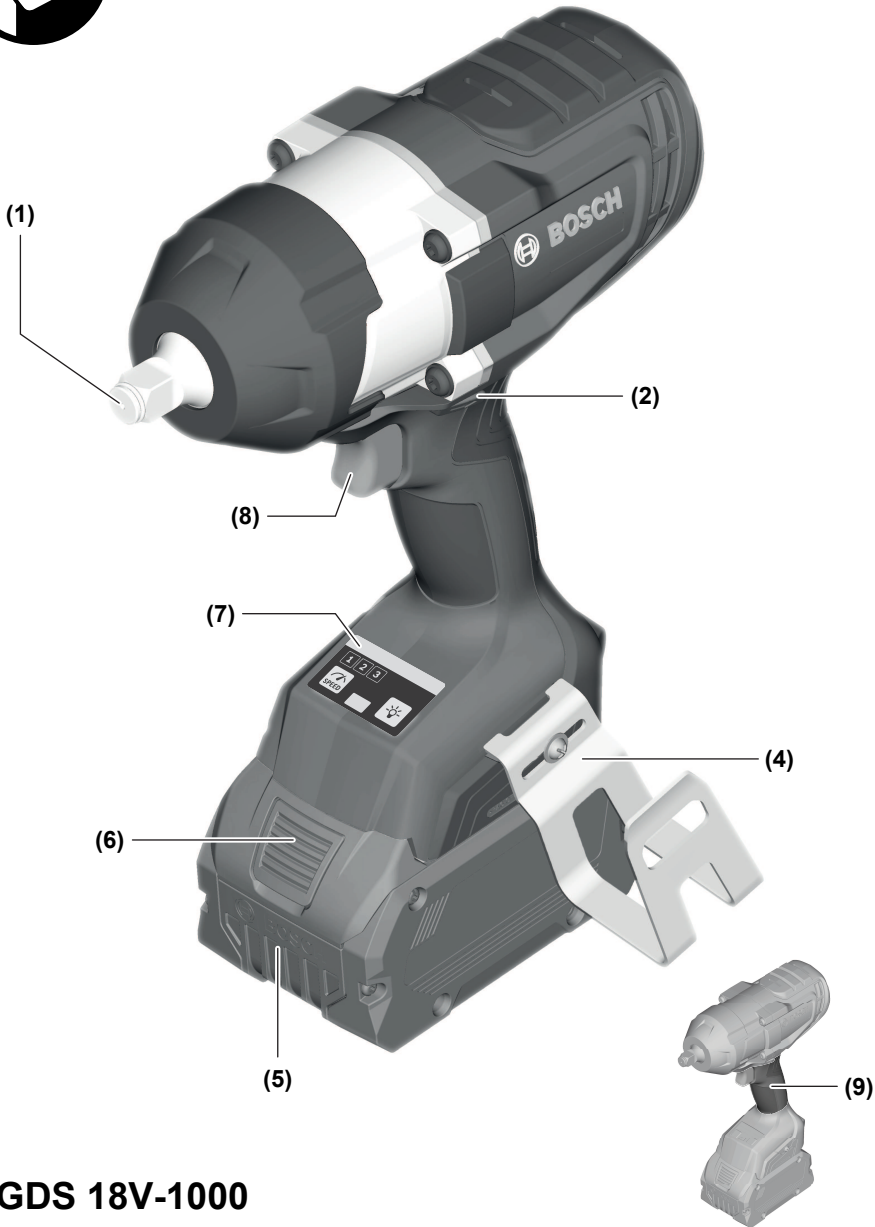
- en Original instructions
- fr Notice originale
- pt Manual original
- es Manual original
- pt Manual de instruções original
- zh 正本使用说明书
- zh 原始使用說明書
- th หนังสือคู่มือการใช้งานฉบับต้นแบบ
- id Petunjuk-Petunjuk untuk Penggunaan Orisinal
- vi Bản gốc hướng dẫn sử dụng
- ar دليل التشغيل الأصلي
- fa دفترچه راهنمای اصلی

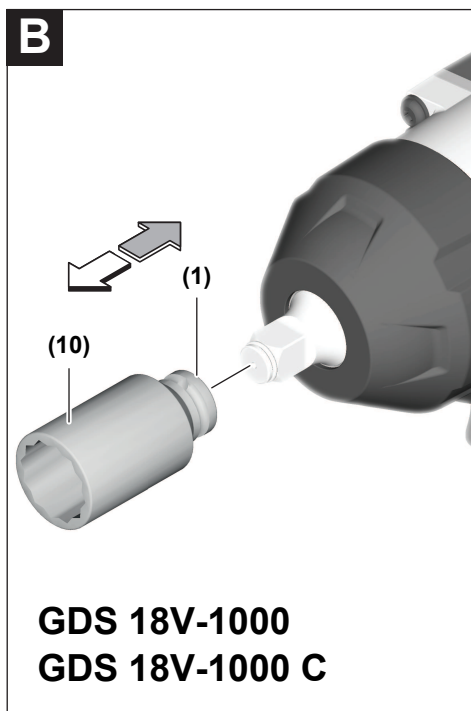
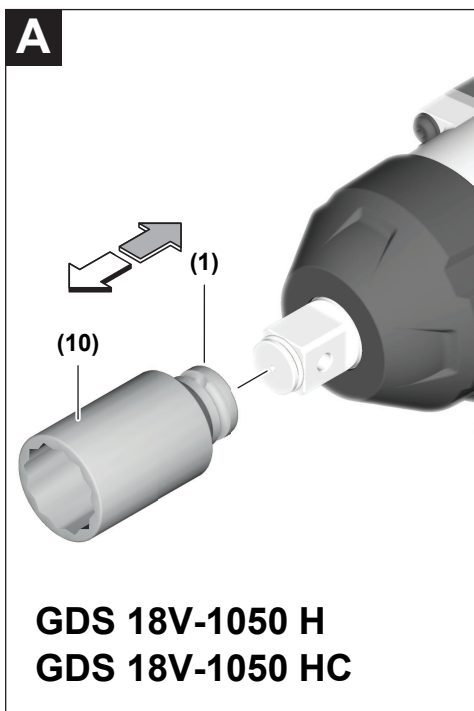


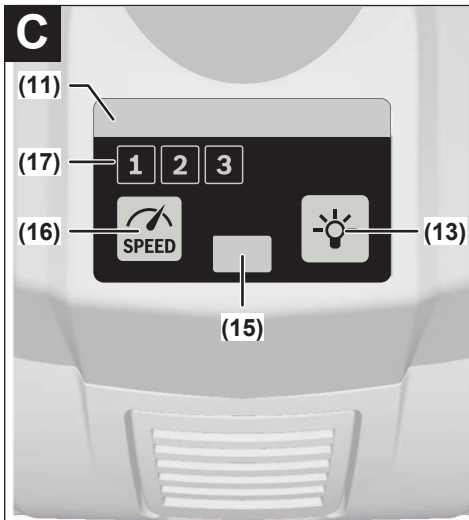
English	Page	7
Français	Page	14
Português	Página	23
Español	Página	31
Português do Brasil	Página	40
中文	页	48
繁體中文	頁	54
ไทย	หน้า	61
Bahasa Indonesia	Halaman	70
Tiếng Việt	Trang	78
عربي	الصفحة	87
فارسی	صفحه	95
CE		I



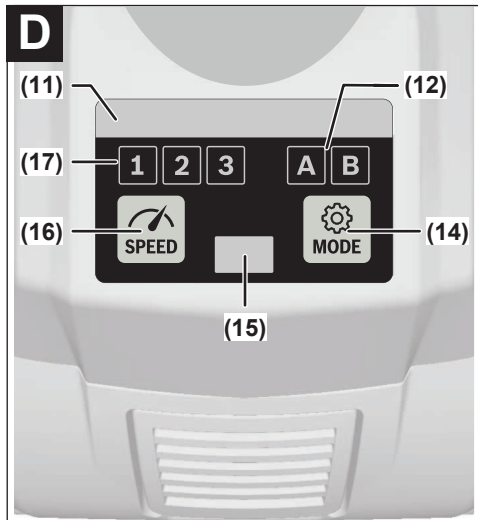
GDS 18V-1050 HC



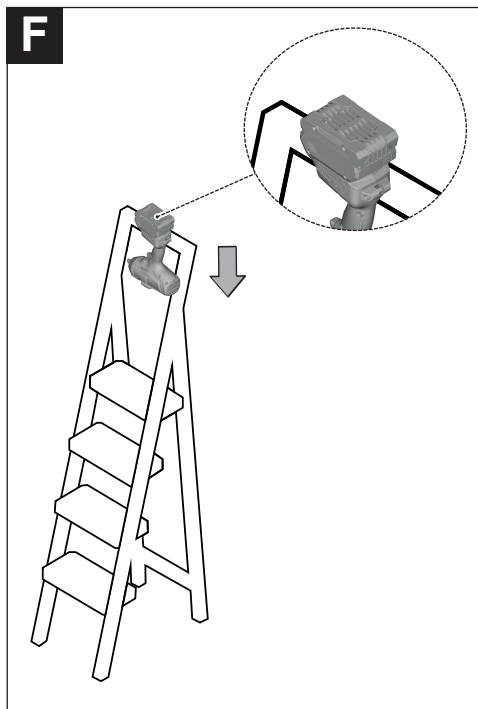
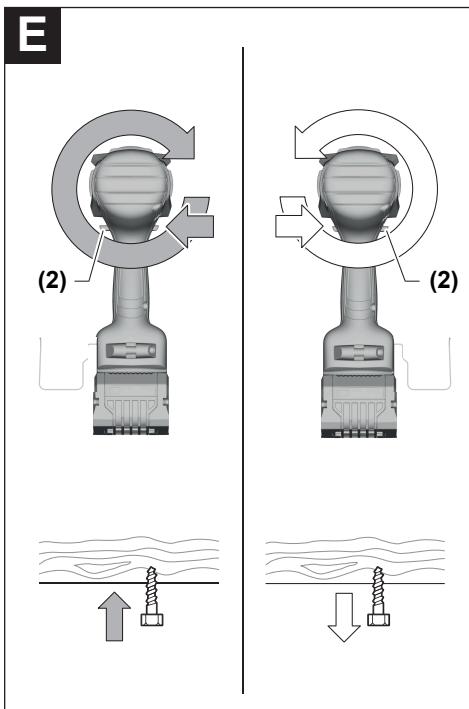




GDS 18V-1000
GDS 18V-1050 H



GDS 18V-1000 C
GDS 18V-1050 HC



English

Safety Instructions

General Power Tool Safety Warnings

⚠ WARNING Read all safety warnings, instructions, illustrations and specifications provided with this power tool. Failure to follow all instructions listed below may result in electric shock, fire and/or serious injury.

Save all warnings and instructions for future reference.

The term "power tool" in the warnings refers to your mains-operated (corded) power tool or battery-operated (cordless) power tool.

Work area safety

- ▶ **Keep work area clean and well lit.** Cluttered or dark areas invite accidents.
- ▶ **Do not operate power tools in explosive atmospheres, such as in the presence of flammable liquids, gases or dust.** Power tools create sparks which may ignite the dust or fumes.
- ▶ **Keep children and bystanders away while operating a power tool.** Distractions can cause you to lose control.

Electrical safety

- ▶ **Power tool plugs must match the outlet. Never modify the plug in any way. Do not use any adapter plugs with earthed (grounded) power tools.** Unmodified plugs and matching outlets will reduce risk of electric shock.
- ▶ **Avoid body contact with earthed or grounded surfaces, such as pipes, radiators, ranges and refrigerators.** There is an increased risk of electric shock if your body is earthed or grounded.
- ▶ **Do not expose power tools to rain or wet conditions.** Water entering a power tool will increase the risk of electric shock.
- ▶ **Do not abuse the cord. Never use the cord for carrying, pulling or unplugging the power tool. Keep cord away from heat, oil, sharp edges or moving parts.** Damaged or entangled cords increase the risk of electric shock.
- ▶ **When operating a power tool outdoors, use an extension cord suitable for outdoor use.** Use of a cord suitable for outdoor use reduces the risk of electric shock.
- ▶ **If operating a power tool in a damp location is unavoidable, use a residual current device (RCD) protected supply.** Use of an RCD reduces the risk of electric shock.

Personal safety

- ▶ **Stay alert, watch what you are doing and use common sense when operating a power tool. Do not use a power tool while you are tired or under the influence of drugs, alcohol or medication.** A moment of inatten-

tion while operating power tools may result in serious personal injury.

- ▶ **Use personal protective equipment. Always wear eye protection.** Protective equipment such as a dust mask, non-skid safety shoes, hard hat or hearing protection used for appropriate conditions will reduce personal injuries.
- ▶ **Prevent unintentional starting. Ensure the switch is in the off-position before connecting to power source and/or battery pack, picking up or carrying the tool.** Carrying power tools with your finger on the switch or energising power tools that have the switch on invites accidents.
- ▶ **Remove any adjusting key or wrench before turning the power tool on.** A wrench or a key left attached to a rotating part of the power tool may result in personal injury.
- ▶ **Do not overreach. Keep proper footing and balance at all times.** This enables better control of the power tool in unexpected situations.
- ▶ **Dress properly. Do not wear loose clothing or jewellery. Keep your hair and clothing away from moving parts.** Loose clothes, jewellery or long hair can be caught in moving parts.
- ▶ **If devices are provided for the connection of dust extraction and collection facilities, ensure these are connected and properly used.** Use of dust collection can reduce dust-related hazards.
- ▶ **Do not let familiarity gained from frequent use of tools allow you to become complacent and ignore tool safety principles.** A careless action can cause severe injury within a fraction of a second.

Power tool use and care

- ▶ **Do not force the power tool. Use the correct power tool for your application.** The correct power tool will do the job better and safer at the rate for which it was designed.
- ▶ **Do not use the power tool if the switch does not turn it on and off.** Any power tool that cannot be controlled with the switch is dangerous and must be repaired.
- ▶ **Disconnect the plug from the power source and/or remove the battery pack, if detachable, from the power tool before making any adjustments, changing accessories, or storing power tools.** Such preventive safety measures reduce the risk of starting the power tool accidentally.
- ▶ **Store idle power tools out of the reach of children and do not allow persons unfamiliar with the power tool or these instructions to operate the power tool.** Power tools are dangerous in the hands of untrained users.
- ▶ **Maintain power tools and accessories. Check for misalignment or binding of moving parts, breakage of parts and any other condition that may affect the power tool's operation. If damaged, have the power tool repaired before use.** Many accidents are caused by poorly maintained power tools.

- ▶ **Keep cutting tools sharp and clean.** Properly maintained cutting tools with sharp cutting edges are less likely to bind and are easier to control.
- ▶ **Use the power tool, accessories and tool bits etc. in accordance with these instructions, taking into account the working conditions and the work to be performed.** Use of the power tool for operations different from those intended could result in a hazardous situation.
- ▶ **Keep handles and grasping surfaces dry, clean and free from oil and grease.** Slippery handles and grasping surfaces do not allow for safe handling and control of the tool in unexpected situations.

Battery tool use and care

- ▶ **Recharge only with the charger specified by the manufacturer.** A charger that is suitable for one type of battery pack may create a risk of fire when used with another battery pack.
- ▶ **Use power tools only with specifically designated battery packs.** Use of any other battery packs may create a risk of injury and fire.
- ▶ **When battery pack is not in use, keep it away from other metal objects, like paper clips, coins, keys, nails, screws or other small metal objects, that can make a connection from one terminal to another.** Shorting the battery terminals together may cause burns or a fire.
- ▶ **Under abusive conditions, liquid may be ejected from the battery; avoid contact. If contact accidentally occurs, flush with water. If liquid contacts eyes, additionally seek medical help.** Liquid ejected from the battery may cause irritation or burns.
- ▶ **Do not use a battery pack or tool that is damaged or modified.** Damaged or modified batteries may exhibit unpredictable behaviour resulting in fire, explosion or risk of injury.
- ▶ **Do not expose a battery pack or tool to fire or excessive temperature.** Exposure to fire or temperature above 130°C may cause explosion.
- ▶ **Follow all charging instructions and do not charge the battery pack or tool outside the temperature range specified in the instructions.** Charging improperly or at temperatures outside the specified range may damage the battery and increase the risk of fire.

Service

- ▶ **Have your power tool serviced by a qualified repair person using only identical replacement parts.** This will ensure that the safety of the power tool is maintained.
- ▶ **Never service damaged battery packs.** Service of battery packs should only be performed by the manufacturer or authorized service providers.

Safety Warnings for Impact Wrenches

- ▶ **Hold the power tool by insulated gripping surfaces, when performing an operation where the fastener may contact hidden wiring.** Fasteners contacting a "live"

wire may make exposed metal parts of the power tool "live" and could give the operator an electric shock.

- ▶ **Use suitable detectors to determine if there are hidden supply lines or contact the local utility company for assistance.** Contact with electric cables can cause fire and electric shock. Damaging gas lines can lead to explosion. Breaking water pipes causes property damage.
- ▶ **Hold the power tool securely.** When tightening and loosening screws be prepared for temporarily high torque reactions.
- ▶ **Secure the workpiece.** A workpiece clamped with clamping devices or in a vice is held more secure than by hand.
- ▶ **Always wait until the power tool has come to a complete stop before placing it down.** The application tool can jam and cause you to lose control of the power tool.
- ▶ **In case of damage and improper use of the battery, vapours may be emitted. The battery can set alight or explode.** Ensure the area is well ventilated and seek medical attention should you experience any adverse effects. The vapours may irritate the respiratory system.
- ▶ **Do not open the battery.** There is a risk of short-circuiting.
- ▶ **The battery can be damaged by pointed objects such as nails or screwdrivers or by force applied externally.** An internal short circuit may occur, causing the battery to burn, smoke, explode or overheat.
- ▶ **Only use the battery with products from the manufacturer.** This is the only way in which you can protect the battery against dangerous overload.



Protect the battery against heat, e.g. against continuous intense sunlight, fire, dirt, water and moisture. There is a risk of explosion and short-circuiting.



- ▶ **Application tools can become hot during operation. There is a risk of burns when changing the application tool.** Use protective gloves to remove the application tool.
- ▶ **Caution! When using the power tool with Bluetooth®, a fault may occur in other devices and systems, aeroplanes and medical devices (e.g. pacemakers, hearing aids). Also, damage to people and animals in the immediate vicinity cannot be completely excluded. Do not use the power tool with Bluetooth® in the vicinity of medical devices, petrol stations, chemical plants, areas with a potentially explosive atmosphere or in blasting areas. Do not use the power tool with Bluetooth® in aircraft. Avoid using the product near your body for extended periods.**

The Bluetooth® word mark and logos are registered trademarks owned by Bluetooth SIG, Inc. and any use of such marks by Robert Bosch Power Tools GmbH is under license.

Product Description and Specifications



Read all the safety and general instructions.

Failure to observe the safety and general instructions may result in electric shock, fire and/or serious injury.

Please observe the illustrations at the beginning of this operating manual.

Intended Use

The machine is intended for driving in and loosening screws and bolts as well as for tightening and loosening nuts within the respective range of dimension.

With the *Bluetooth*® Low Energy Module **GCY 42** inserted, power tool data and settings can be transferred between the power tool and a mobile device by means of *Bluetooth*® wireless technology.

Product features

The numbering of the product features refers to the diagram of the power tool on the graphics page.

- (1) Tool holder
- (2) Rotational direction switch

- (3) Bluetooth® Low Energy Module cover **GCY 42**
- (4) Ladder clip
- (5) Battery^{a)}
- (6) Battery release button^{a)}
- (7) User interface
- (8) On/off switch
- (9) Handle (insulated gripping surface)
- (10) Application tool (e.g. impact socket^{a)})

User interface

- (11) Status indicator for power tool
- (12) Mode indicator
- (13) Worklight button
(**GDS 18V-1000, GDS 18V-1050 H**)
- (14) Mode button
(**GDS 18V-1000 C, GDS 18V-1050 HC**)
- (15) Worklight
- (16) Speed button
- (17) Speed preselection indicator

a) **Accessories shown or described are not included with the product as standard. You can find the complete selection of accessories in our accessories range.**

Technical Data

Cordless Impact Wrench		GDS 18V-1000	GDS 18V-1050 H	GDS 18V-1000 C	GDS 18V-1050 HC
Article number		3 601 JJ8 3..	3 601 JJ8 5..	3 601 JJ8 0..	3 601 JJ8 2..
Rated voltage	V=	18	18	18	18
No-load speed ^{A)}					
– Setting 1	min ⁻¹	0–800	0–800	0–800	0–800
– Setting 2	min ⁻¹	0–1200	0–1200	0–1300	0–1300
– Setting 3	min ⁻¹	0–1750	0–1750	0–1750	0–1750
Impact rate ^{A)}					
– Setting 1	min ⁻¹	0–1600	0–1600	0–1600	0–1600
– Setting 2	min ⁻¹	0–2400	0–2400	0–2300	0–2300
– Setting 3	min ⁻¹	0–2600	0–2600	0–2600	0–2600
Torque ^{A)}					
– Setting 1	Nm	0–350	0–350	0–350	0–350
– Setting 2	Nm	0–700	0–750	0–650	0–650
– Setting 3	Nm	0–1000	0–1050	0–1000	0–1050
Max. tightening torque ^{A)}	Nm	1000	1050	1000	1050
Max. breakaway torque ^{A)}	Nm	1600	1700	1600	1700
Machine screw diameter	mm	M14–M24	M14–M24	M14–M24	M14–M24
Tool holder		■ ½"	■ ¾"	■ ½"	■ ¾"
Weight according to EPTA-Procedure 01:2014 ^{B)}	kg	3.3–4.4	3.3–4.4	3.3–4.4	3.3–4.4
Recommended ambient temperature during charging	°C	0 to +35	0 to +35	0 to +35	0 to +35

Cordless Impact Wrench		GDS 18V-1000	GDS 18V-1050 H	GDS 18V-1000 C	GDS 18V-1050 HC
Permitted ambient temperature during operation and during storage	°C	-20 to +50	-20 to +50	-20 to +50	-20 to +50
Compatible rechargeable batteries		GBA 18V... ProCORE18V...	GBA 18V... ProCORE18V...	GBA 18V... ProCORE18V...	GBA 18V... ProCORE18V...
Recommended batteries for full performance		ProCORE18V... ≥ 5.5 Ah	ProCORE18V... ≥ 5.5 Ah	ProCORE18V... ≥ 5.5 Ah	ProCORE18V... ≥ 5.5 Ah
Recommended chargers		GAL 18... GAX 18... GAL 36...	GAL 18... GAX 18... GAL 36...	GAL 18... GAX 18... GAL 36...	GAL 18... GAX 18... GAL 36...
Data transfer					
Bluetooth® ^{C)}		-	-	Bluetooth® 4.1 (Low Energy)	Bluetooth® 4.1 (Low Energy)
Signal interval	s	-	-	8	8
Max. signal range ^{D)}	m	-	-	30	30

A) Measured at 20–25 °C with rechargeable battery **ProCORE18V 8.0Ah**.

B) Measured with **GBA 18V 1.5Ah** and **GBA 18V 12Ah**.

C) The mobile terminal devices must be compatible with Bluetooth® Low Energy devices (version 4.1) and support the Generic Access Profile (GAP).

D) The signal range may vary greatly depending on external conditions, including the receiving device used. The Bluetooth® range may be significantly weaker inside closed rooms and through metallic barriers (e.g. walls, shelving units, cases, etc.).

Noise/Vibration Information

		GDS 18V-1000	GDS 18V-1050 H	GDS 18V-1000 C	GDS 18V-1050 HC
Noise emission values determined according to EN 62841-2-2 .					
Typically, the A-weighted noise level of the power tool is					
Sound pressure level	dB(A)	91	95	95	95
Sound power level	dB(A)	102	106	106	106
Uncertainty K	dB	3	3	3	3
Wear hearing protection!					
Vibration total values a_h (triax vector sum) and uncertainty K determined according to EN 62841-2-2 :					
Impact tightening of fasteners of the maximum capacity of the tool					
a_h	m/s^2	12	13	13.5	13.5
K	m/s^2	1.5	1.5	1.5	1.5

The vibration level and noise emission value given in these instructions have been measured in accordance with a standardised measuring procedure and may be used to compare power tools. They may also be used for a preliminary estimation of vibration and noise emissions.

The stated vibration level and noise emission value represent the main applications of the power tool. However, if the power tool is used for other applications, with different application tools or is poorly maintained, the vibration level and noise emission value may differ. This may significantly increase the vibration and noise emissions over the total working period.

To estimate vibration and noise emissions accurately, the times when the tool is switched off or when it is running but not actually being used should also be taken into account.

This may significantly reduce vibration and noise emissions over the total working period.

Implement additional safety measures to protect the operator from the effects of vibration, such as servicing the power tool and application tools, keeping their hands warm, and organising workflows correctly.

Assembly

- **Remove the battery from the power tool before carrying out work on the power tool (e.g. maintenance, changing tool, etc.). The battery should also be removed for transport and storage.** There is risk of injury from unintentionally pressing the on/off switch.

Charging the Battery

- **Use only the chargers listed in the technical data.** Only these chargers are matched to the lithium-ion battery of your power tool.

Note: The battery is supplied partially charged. To ensure full battery capacity, fully charge the battery in the charger before using your power tool for the first time.

The lithium-ion battery can be charged at any time without reducing its service life. Interrupting the charging process does not damage the battery.

The lithium-ion battery is protected against deep discharge by the "Electronic Cell Protection (ECP)". When the battery is discharged, the power tool is switched off by means of a protective circuit: The application tool no longer rotates.

- **Do not continue to press the On/Off switch after the power tool has automatically switched off.** The battery can be damaged.

Follow the instructions on correct disposal.



Removing the Battery

The battery (5) is equipped with two locking levels to prevent the battery from falling out when pushing the battery release button (6) unintentionally. As long as the battery is inserted in the power tool, it is held in position by means of a spring.

To remove the battery (5), press the release button (6) and pull the battery out of the power tool. **Do not use force to do this.**

Battery charge indicator

The green LEDs on the battery charge indicator indicate the state of charge of the battery. For safety reasons, it is only possible to check the state of charge when the power tool is not in operation.

Press the button for the battery charge indicator  or  to show the state of charge. This is also possible when the battery is removed.

If no LED lights up after pressing the button for the battery charge indicator, then the battery is defective and must be replaced.

Battery model GBA 18V...



LEDs	Capacity
3× continuous green light	60–100 %
2× continuous green light	30–60 %
1× continuous green light	5–30 %
1× flashing green light	0–5 %

Battery model ProCORE18V...



LEDs	Capacity
5× continuous green light	80–100 %
4× continuous green light	60–80 %
3× continuous green light	40–60 %
2× continuous green light	20–40 %
1× continuous green light	5–20 %
1× flashing green light	0–5 %

Inserting the Bluetooth® Low Energy Module GCY 42 (Accessory)

Read the corresponding operating instructions for information about the Bluetooth® Low Energy Module GCY 42.

Changing the Tool (see figures A–B)

- **Remove the battery from the power tool before carrying out work on the power tool (e.g. maintenance, changing tool, etc.). The battery should also be removed for transport and storage.** There is risk of injury from unintentionally pressing the on/off switch.
- **When working with an application tool, pay attention that the application tool is connected securely to the tool holder.** When the application tool is not securely connected with the tool holder, it can come off during application.

Slide the application tool (10) onto the square drive of the tool holder (1).

Operation

Method of Operation

The tool holder (1) (with the application tool) is driven by an electric motor via a gear and impact mechanism.

The working procedure is divided into two phases:

Screwing in and tightening (impact mechanism in action).

The impact mechanism is activated as soon as the screwed connection runs tight and load is therefore put on the motor. The impact mechanism then converts the power of the motor to steady rotary impacts. When loosening screws or nuts, the process is reversed.

Starting Operation

- **Always place the power tool down on its side and do not lay it on the battery.** The power tool can tip over depending on the application tool and battery used.

Inserting the battery

Note: The use of batteries unsuitable for your power tool can lead to malfunctions or damage to the power tool.

Push the charged battery (5) into the base of the power tool until the battery is securely locked.

Set the rotational direction (see figure E)

The rotational direction switch (2) is used to change the rotational direction of the power tool. However, this is not possible while the on/off switch (8) is being pressed.

Right rotation: To drive in screws and tighten nuts, press the rotational direction switch (2) through to the left stop.

Left Rotation: To loosen and unscrew screws and nuts, press the rotational direction switch (2) through to the right stop.

Adjusting the Speed/Impact Rate

You can adjust the speed/impact rate of the power tool when it is on by pressing in the on/off switch (8) to varying extents.

Applying light pressure to the on/off switch (8) results in a low rotational speed/impact rate. Applying increasing pressure to the switch increases the speed/impact rate.

Switching on/off

To **start** the power tool, press and hold the on/off switch (8).

The worklight (15) lights up when the on/off switch (8) is lightly or fully pressed, allowing the work area to be illuminated in poor lighting conditions.

To **switch off** the power tool, release the on/off switch (8).

User interface (see figures D–E)**GDS 18V-1000 C / GDS 18V-1050 HC:**

The user interface (7) is used to preselect the speed and working mode and to indicate the status of the power tool.

Status indications

Status indicator for power tool (11)	Meaning/cause	Solution
Green	Status OK	–
Yellow	Critical temperature has been reached or rechargeable battery is almost empty	Run the power tool at no load and allow it to cool down, or replace or charge the battery soon
Illuminated red	Power tool has overheated or rechargeable battery is empty	Allow the power tool to cool down, or replace or charge the battery
Flashing blue	Power tool is connected to a mobile device or settings are being transferred	–

Speed preselection

With the speed preselection button (16), you can preselect the required speed in three stages. Press button (16) as often as needed until the required setting is indicated in the speed indicator (17). The selected setting will be saved.

GDS 18V-1000 C / GDS 18V-1050 HC:

You can also preselect the speed using the Bosch Toolbox app.

The required speed depends on the material and the working conditions; it can be ascertained through practical tests. The information in the table below describes the recommended values.

	Basic speed setting at level		
	1	2	3
	[min ⁻¹]	[min ⁻¹]	[min ⁻¹]
Number of speed settings			
3	0–1 100	0–2 300	0–3 400

You can use the button for speed preselection (16) to preselect the required speed, even during operation.

Switching On the Worklight**GDS 18V-1000 / GDS 18V-1050 H:**

To switch the worklight (15) on or off, press the worklight button (13).

- ▶ **Do not look directly into the worklight; it can blind you.**

Selecting the working mode**GDS 18V-1000 C / GDS 18V-1050 HC:**

The power tool has two preset working modes **A** and **B** (12). You can also programme working modes for different applications and adjust existing modes via the Bosch Toolbox under **A** and **B** (12).

To switch between the working modes **A** and **B** (12), press button (14).

Practical advice

- ▶ **Only apply the power tool to the screw/nut when the tool is switched off.** Rotating tool inserts can slip off.
- ▶ **The power tool with inserted Bluetooth® Low Energy Module GCY 42 (accessory) is equipped with a radio interface. Local operating restrictions, e.g. in aircraft or hospitals, must be observed.**

The torque depends on the impact duration. The maximum achieved torque results from the sum of all individual torques achieved through impact. Maximum torque is achieved after an impact duration of 6–10 seconds. After this duration, the tightening torque increases only minimally. The impact duration is to be determined for each required tightening torque. The tightening torque actually achieved should always be checked with a torque wrench.

Screw applications with hard, spring-loaded or soft seats

When the achieved torques in an impact series are measured during a test and transferred into a diagram, the result is the curve of a torque characteristic. The height of the curve corresponds with the maximum reachable torque, and the steepness indicates the duration in which this is achieved.

A torque gradient depends on the following factors:

- Strength properties of the screws/nuts
- Type of backing (washer, disc spring, seal)
- Strength properties of the material being screwed/bolted together
- Lubrication conditions at the screw/bolt connection

The following application cases result accordingly:

- A **hard seat** is a metal-to-metal screw application which uses washers. After a relatively short impact duration, the

Guide values for maximum screw tightening torques

Figures given in Nm; calculated from the tensional cross-section; utilisation of the yield point: 90% (with friction coefficient $\mu_{\text{total}} = 0.12$). As a control measure, always check the tightening torque with a torque wrench.

Property classes according to DIN 267	Standard screws								High-strength screws		
	3.6	4.6	5.6	4.8	6.6	5.8	6.8	6.9	8.8	10.9	12.9
M10	13	17.5	22	23	26	29	35	39	47	65	78
M12	22.6	30	37.6	40	45	50	60	67	80	113	135
M14	36	48	60	65	72	79	95	107	130	180	215
M16	55	73	92	98	110	122	147	165	196	275	330
M18	75	101	126	135	151	168	202	227	270	380	450
M20	107	143	178	190	214	238	286	320	385	540	635
M22	145	190	240	255	290	320	385	430	510	715	855
M24	185	245	310	325	370	410	490	455	650	910	1100

Tips

Before screwing larger, longer screws into hard materials, it is advisable to pre-drill a pilot hole with the core diameter of the thread to approx. 2/3 of the screw length.

Note: Ensure that no metal particles enter the power tool.

After working at a low speed for an extended period, you should operate the power tool at the maximum speed for approximately three minutes without load to cool it down.

Recommendations for optimal handling of the battery

Protect the battery against moisture and water.

Only store the battery within a temperature range of -20 to 50 °C. Do not leave the battery in your car in the summer, for example.

A significantly reduced operating time after charging indicates that the battery has deteriorated and must be replaced. Follow the instructions on correct disposal.

Ladder clip

You can use the utility clip (4) for hanging the power tool to a ladder, for example.



The screw of the ladder clip must be tightened using a tightening torque of approx. 2.0–2.5 Nm.

maximum torque is reached (steep characteristic curve). Unnecessary long impact duration only causes damage to the machine.

- A **spring-loaded seat** is also a metal-to-metal screw application but uses spring washers, disc springs, studs or screws/nuts with conical seats. It is also called a spring-loaded seat when extensions are used.
- A **soft seat** is a screw application of e.g. metal on wood or a screw application that uses lead washers or fibre washers as backing.

For a spring-loaded seat as well as for a soft seat, the maximum tightening torque is lower than for a hard seat. Also, a clearly longer impact duration is required.

Control Via App

GDS 18V-1000 C / GDS 18V-1050 HC:

The power tool can be fitted with a *Bluetooth®* module which enables wireless data transfer to certain mobile devices with a *Bluetooth®* interface (e.g. smartphone, tablet).

In order to control the power tool via *Bluetooth®*, you will need the "Bosch Toolbox" app. Download the app from the corresponding app store (Apple App Store, Google Play Store).

Then select the "My Tools" sub-item in the app. The display of your mobile terminal device will show you all subsequent steps required to connect the power tool to the terminal device.

The following functions will be available when a connection has been established with the mobile device:

- Registration and personalisation
- Status check, output of warning messages
- General information and settings
- Management
- Setting the speed levels
- Setting the working modes

Maintenance and Service

Maintenance and Cleaning

- ▶ **Clean the air vents on your power tool regularly.** The motor's fan will draw the dust inside the housing and excessive accumulation of powdered metal may cause electrical hazards.
- ▶ **Remove the battery from the power tool before carrying out work on the power tool (e.g. maintenance, changing tool, etc.). The battery should also be removed for transport and storage.** There is risk of injury from unintentionally pressing the on/off switch.
- ▶ **To ensure safe and efficient operation, always keep the power tool and the ventilation slots clean.**

After-Sales Service and Application Service

Our after-sales service responds to your questions concerning maintenance and repair of your product as well as spare parts. You can find explosion drawings and information on spare parts at: www.bosch-pt.com

The Bosch product use advice team will be happy to help you with any questions about our products and their accessories.

In all correspondence and spare parts orders, please always include the 10-digit article number given on the nameplate of the product.

Malaysia

Robert Bosch Sdn. Bhd. (220975-V) PT/SMY
No. 8A, Jalan 13/6
46200 Petaling Jaya
Selangor
Tel.: (03) 79663194
Toll-Free: 1800 880188
Fax: (03) 79583838
E-Mail: kiathoe.chong@my.bosch.com
www.bosch-pt.com.my

You can find further service addresses at:

www.bosch-pt.com/serviceaddresses

Transport

The contained lithium-ion batteries are subject to the Dangerous Goods Legislation requirements. The batteries are suitable for road-transport by the user without further restrictions.

When shipping by third parties (e.g.: by air transport or forwarding agency), special requirements on packaging and labelling must be observed. For preparation of the item being shipped, consulting an expert for hazardous material is required.

Dispatch battery packs only when the housing is undamaged. Tape or mask off open contacts and pack up the battery in such a manner that it cannot move around in the packaging. Please also observe the possibility of more detailed national regulations.

Disposal



Power tools, rechargeable batteries, accessories and packaging should be sorted for environmental-friendly recycling.



Do not dispose of power tools and batteries/rechargeable batteries into household waste!

Battery packs/batteries:

Li-ion:

Please observe the notes in the section on transport (see "Transport", page 14).

Radio Frequency Compliance Information (India) The Laser Range Finder with Bluetooth has been certified by the Government of India's WPC (Wireless Planning and Coordination Wing) with Equipment Type Approval Number:

Français

Consignes de sécurité

Avertissements de sécurité généraux pour l'outil électrique

AVERTISSEMENT Lire tous les avertissements de sécurité, les instructions, les illustrations et les spécifications fournies

avec cet outil électrique. Ne pas suivre les instructions énumérées ci-dessous peut provoquer un choc électrique, un incendie et/ou une blessure sérieuse.

Conserver tous les avertissements et toutes les instructions pour pouvoir s'y reporter ultérieurement.

Le terme "outil électrique" dans les avertissements fait référence à votre outil électrique alimenté par le secteur (avec cordon d'alimentation) ou votre outil électrique fonctionnant sur batterie (sans cordon d'alimentation).

Sécurité de la zone de travail

- ▶ **Conserver la zone de travail propre et bien éclairée.** Les zones en désordre ou sombres sont propices aux accidents.
- ▶ **Ne pas faire fonctionner les outils électriques en atmosphère explosive, par exemple en présence de liquides inflammables, de gaz ou de poussières.** Les outils électriques produisent des étincelles qui peuvent enflammer les poussières ou les fumées.
- ▶ **Maintenir les enfants et les personnes présentes à l'écart pendant l'utilisation de l'outil électrique.** Les distractions peuvent vous faire perdre le contrôle de l'outil.

Sécurité électrique

- ▶ **Il faut que les fiches de l'outil électrique soient adaptées au socle. Ne jamais modifier la fiche de quelque façon que ce soit. Ne pas utiliser d'adaptateurs avec**

des outils électriques à branchement de terre. Des fiches non modifiées et des socles adaptés réduisent le risque de choc électrique.

- ▶ **Éviter tout contact du corps avec des surfaces reliées à la terre telles que les tuyaux, les radiateurs, les cuisinières et les réfrigérateurs.** Il existe un risque accru de choc électrique si votre corps est relié à la terre.
- ▶ **Ne pas exposer les outils électriques à la pluie ou à des conditions humides.** La pénétration d'eau à l'intérieur d'un outil électrique augmente le risque de choc électrique.
- ▶ **Ne pas maltraiter le cordon. Ne jamais utiliser le cordon pour porter, tirer ou débrancher l'outil électrique. Maintenir le cordon à l'écart de la chaleur, du lubrifiant, des arêtes vives ou des parties en mouvement.** Des cordons endommagés ou emmêlés augmentent le risque de choc électrique.
- ▶ **Lorsqu'on utilise un outil électrique à l'extérieur, utiliser un prolongateur adapté à l'utilisation extérieure.** L'utilisation d'un cordon adapté à l'utilisation extérieure réduit le risque de choc électrique.
- ▶ **Si l'usage d'un outil électrique dans un emplacement humide est inévitable, utiliser une alimentation protégée par un dispositif à courant différentiel résiduel (RCD).** L'usage d'un RCD réduit le risque de choc électrique.

Sécurité des personnes

- ▶ **Rester vigilant, regarder ce que vous êtes en train de faire et faire preuve de bon sens dans votre utilisation de l'outil électrique. Ne pas utiliser un outil électrique lorsque vous êtes fatigué ou sous l'emprise de drogues, de l'alcool ou de médicaments.** Un moment d'inattention en cours d'utilisation d'un outil électrique peut entraîner des blessures graves.
- ▶ **Utiliser un équipement de protection individuelle. Toujours porter une protection pour les yeux.** Les équipements de protection individuelle tels que les masques contre les poussières, les chaussures de sécurité antidérapantes, les casques ou les protections auditives utilisés pour les conditions appropriées réduisent les blessures.
- ▶ **Éviter tout démarrage intempestif. S'assurer que l'interrupteur est en position arrêt avant de brancher l'outil au secteur et/ou au bloc de batteries, de le ramasser ou de le porter.** Porter les outils électriques en ayant le doigt sur l'interrupteur ou brancher des outils électriques dont l'interrupteur est en position marche est source d'accidents.
- ▶ **Retirer toute clé de réglage avant de mettre l'outil électrique en marche.** Une clé laissée fixée sur une partie tournante de l'outil électrique peut donner lieu à des blessures.
- ▶ **Ne pas se précipiter. Garder une position et un équilibre adaptés à tout moment.** Cela permet un meilleur contrôle de l'outil électrique dans des situations inattendues.

- ▶ **S'habiller de manière adaptée. Ne pas porter de vêtements amples ou de bijoux. Garder les cheveux et les vêtements à distance des parties en mouvement.** Des vêtements amples, des bijoux ou les cheveux longs peuvent être pris dans des parties en mouvement.
- ▶ **Si des dispositifs sont fournis pour le raccordement d'équipements pour l'extraction et la récupération des poussières, s'assurer qu'ils sont connectés et correctement utilisés.** Utiliser des collecteurs de poussière peut réduire les risques dus aux poussières.
- ▶ **Rester vigilant et ne pas négliger les principes de sécurité de l'outil sous prétexte que vous avez l'habitude de l'utiliser.** Une fraction de seconde d'inattention peut provoquer une blessure grave.

Utilisation et entretien de l'outil électrique

- ▶ **Ne pas forcer l'outil électrique. Utiliser l'outil électrique adapté à votre application.** L'outil électrique adapté réalise mieux le travail et de manière plus sûre au régime pour lequel il a été construit.
- ▶ **Ne pas utiliser l'outil électrique si l'interrupteur ne permet pas de passer de l'état de marche à arrêt et inversement.** Tout outil électrique qui ne peut pas être commandé par l'interrupteur est dangereux et il faut le réparer.
- ▶ **Débrancher la fiche de la source d'alimentation et/ou enlever le bloc de batteries, s'il est amovible, avant tout réglage, changement d'accessoires ou avant de ranger l'outil électrique.** De telles mesures de sécurité préventives réduisent le risque de démarrage accidentel de l'outil électrique.
- ▶ **Conserver les outils électriques à l'arrêt hors de la portée des enfants et ne pas permettre à des personnes ne connaissant pas l'outil électrique ou les présentes instructions de le faire fonctionner.** Les outils électriques sont dangereux entre les mains d'utilisateurs novices.
- ▶ **Observer la maintenance des outils électriques et des accessoires. Vérifier qu'il n'y a pas de mauvais alignement ou de blocage des parties mobiles, des pièces cassées ou toute autre condition pouvant affecter le fonctionnement de l'outil électrique. En cas de dommages, faire réparer l'outil électrique avant de l'utiliser.** De nombreux accidents sont dus à des outils électriques mal entretenus.
- ▶ **Garder affûtés et propres les outils permettant de couper.** Des outils destinés à couper correctement entretenus avec des pièces coupantes tranchantes sont moins susceptibles de bloquer et sont plus faciles à contrôler.
- ▶ **Utiliser l'outil électrique, les accessoires et les lames etc., conformément à ces instructions, en tenant compte des conditions de travail et du travail à réaliser.** L'utilisation de l'outil électrique pour des opérations différentes de celles prévues peut donner lieu à des situations dangereuses.

- **Il faut que les poignées et les surfaces de préhension restent sèches, propres et dépourvues d'huiles et de graisses.** Des poignées et des surfaces de préhension glissantes rendent impossibles la manipulation et le contrôle en toute sécurité de l'outil dans les situations inattendues.

Utilisation des outils fonctionnant sur batteries et précautions d'emploi

- **Ne recharger qu'avec le chargeur spécifié par le fabricant.** Un chargeur qui est adapté à un type de bloc de batteries peut créer un risque de feu lorsqu'il est utilisé avec un autre type de bloc de batteries.
- **N'utiliser les outils électriques qu'avec des blocs de batteries spécifiquement désignés.** L'utilisation de tout autre bloc de batteries peut créer un risque de blessure et de feu.
- **Lorsqu'un bloc de batteries n'est pas utilisé, le maintenir à l'écart de tout autre objet métallique, par exemple trombones, pièces de monnaie, clés, clous, vis ou autres objets de petite taille qui peuvent donner lieu à une connexion d'une borne à une autre.** Le court-circuitage des bornes d'une batterie entre elles peut causer des brûlures ou un feu.
- **Dans de mauvaises conditions, du liquide peut être éjecté de la batterie; éviter tout contact. En cas de contact accidentel, nettoyer à l'eau. Si le liquide entre en contact avec les yeux, rechercher en plus une aide médicale.** Le liquide éjecté des batteries peut causer des irritations ou des brûlures.
- **Ne pas utiliser un bloc de batteries ou un outil fonctionnant sur batteries qui a été endommagé ou modifié.** Les batteries endommagées ou modifiées peuvent avoir un comportement imprévisible provoquant un feu, une explosion ou un risque de blessure.
- **Ne pas exposer un bloc de batteries ou un outil fonctionnant sur batteries au feu ou à une température excessive.** Une exposition au feu ou à une température supérieure à 130°C peut provoquer une explosion.
- **Suivre toutes les instructions de charge et ne pas charger le bloc de batteries ou l'outil fonctionnant sur batteries hors de la plage de températures spécifiée dans les instructions.** Un chargement incorrect ou à des températures hors de la plage spécifiée de températures peut endommager la batterie et augmenter le risque de feu.

Maintenance et entretien

- **Faire entretenir l'outil électrique par un réparateur qualifié utilisant uniquement des pièces de rechange identiques.** Cela assure le maintien de la sécurité de l'outil électrique.
- **Ne jamais effectuer d'opération d'entretien sur des blocs de batteries endommagés.** Il convient que l'entretien des blocs de batteries ne soit effectué que par le fabricant ou les fournisseurs de service autorisés.

Consignes de sécurité pour visseuses à chocs

- **Tenir l'outil électrique par les surfaces de préhension, au cours d'une opération où la fixation peut être en contact avec un câblage caché.** Les fixations en contact avec un fil "sous tension" peuvent "mettre sous tension" les parties métalliques exposées de l'outil électrique et provoquer un choc électrique chez l'opérateur.
- **Utilisez un détecteur approprié pour vérifier s'il n'y a pas de conduites cachées ou contactez votre société de distribution d'eau locale.** Tout contact avec des câbles électriques peut provoquer un incendie ou un choc électrique. Tout endommagement d'une conduite de gaz peut provoquer une explosion. La perforation d'une conduite d'eau provoque des dégâts matériels.
- **Maintenez bien l'outil électroportatif en place.** Lors du serrage ou du desserrage des vis, des couples de réaction élevés peuvent survenir en peu de temps.
- **Bloquez la pièce à travailler.** Une pièce à travailler serrée par des dispositifs de serrage appropriés ou dans un étai est fixée de manière plus sûre que quand elle est tenue avec une main.
- **Avant de poser l'outil électroportatif, attendez que celui-ci soit complètement à l'arrêt.** L'outil risque de se coincer, ce qui entraînerait une perte de contrôle de l'outil électroportatif.
- **Si l'accu est endommagé ou utilisé de manière non conforme, des vapeurs peuvent s'échapper. L'accu peut brûler ou exploser.** Ventilez le local et consultez un médecin en cas de malaise. Les vapeurs peuvent entraîner des irritations des voies respiratoires.
- **N'ouvrez pas l'accu.** Risque de court-circuit.
- **Les objets pointus comme un clou ou un tournevis et le fait d'exercer une force extérieure sur le boîtier risque d'endommager l'accu.** Il peut en résulter un court-circuit interne et l'accu risque de s'enflammer, de dégager des fumées, d'exploser ou de surchauffer.
- **N'utilisez l'accu qu'avec des produits du fabricant.** Tout risque de surcharge dangereuse sera alors exclu.



Conservez la batterie à l'abri de la chaleur, en la protégeant p. ex. de l'ensoleillement direct, du feu, de la saleté, de l'eau et de l'humidité. Il existe un risque d'explosion et de courts-circuits.

- **Les accessoires de travail s'échauffent fortement pendant leur utilisation! Il y a un risque de blessure lors du changement d'accessoire.** Utilisez des gants pour retirer l'accessoire de travail.
- **Attention ! En cas d'utilisation de l'outil électroportatif en mode Bluetooth, les ondes émises risquent de perturber le fonctionnement de certains appareils et installations ainsi que le fonctionnement des avions et des appareils médicaux (par ex. stimulateurs cardiaques, prothèses auditives). Les ondes émises peuvent aussi avoir un effet nocif sur les personnes et les animaux qui se trouvent à proximité immédiate de l'outil. N'utilisez pas l'outil électroportatif en mesure**

en mode *Bluetooth* à proximité d'appareils médicaux, de stations-service, d'usines chimiques et lorsque vous vous trouvez dans des zones à risque d'explosion ou dans des zones de dynamitage. **N'utilisez pas l'outil électroportatif en mode *Bluetooth* dans des avions. Évitez une utilisation prolongée de l'outil très près du corps.**

Le nom de marque *Bluetooth*® et le logo associé sont des marques déposées de la Bluetooth SIG, Inc. Toute utilisation de cette marque/de ce logo par la société Robert Bosch Power Tools GmbH s'effectue sous licence.

Description des prestations et du produit



Lisez attentivement toutes les instructions et consignes de sécurité. Le non-respect des instructions et consignes de sécurité peut provoquer un choc électrique, un incendie et/ou entraîner de graves blessures.

Référez-vous aux illustrations qui se trouvent à l'avant de la notice d'utilisation.

Utilisation conforme

L'outil électroportatif est conçu pour le vissage et le dévissage de vis ainsi que pour le serrage et le desserrage des écrous dans les plages de dimensions indiquées.

En cas d'utilisation d'un module *Bluetooth*® Low Energy **GCY 42**, les données et les réglages de l'outil électroportatif peuvent être transmis à un périphérique mobile par voie radio au moyen de la technologie *Bluetooth*®.

Caractéristiques techniques

Visseuse à choc sans-fil		GDS 18V-1000	GDS 18V-1050 H	GDS 18V-1000 C	GDS 18V-1050 HC
Référence		3 601 JJ8 3..	3 601 JJ8 5..	3 601 JJ8 0..	3 601 JJ8 2..
Tension nominale	V=	18	18	18	18
Régime à vide ^{A)}					
- Réglage 1	tr/min	0-800	0-800	0-800	0-800
- Réglage 2	tr/min	0-1 200	0-1 200	0-1 300	0-1 300
- Réglage 3	tr/min	0-1 750	0-1 750	0-1 750	0-1 750
Fréquence de frappe ^{A)}					
- Réglage 1	min ⁻¹	0-1 600	0-1 600	0-1 600	0-1 600
- Réglage 2	min ⁻¹	0-2 400	0-2 400	0-2 300	0-2 300
- Réglage 3	min ⁻¹	0-2 600	0-2 600	0-2 600	0-2 600
Couple ^{A)}					
- Réglage 1	Nm	0-350	0-350	0-350	0-350
- Réglage 2	Nm	0-700	0-750	0-650	0-650
- Réglage 3	Nm	0-1 000	0-1 050	0-1 000	0-1 050
Couple de serrage maxi ^{A)}	Nm	1 000	1 050	1 000	1 050
Couple de dévissage maxi ^{A)}	Nm	1 600	1 700	1 600	1 700
Ø de vis	mm	M14-M24	M14-M24	M14-M24	M14-M24

Éléments constitutifs

La numérotation des éléments de l'appareil se réfère à la représentation de l'outil électroportatif sur la page graphique.

- (1) Porte-outil
- (2) Sélecteur de sens de rotation
- (3) Cache pour module Bluetooth® Low Energy **GCY 42**
- (4) Clip d'accrochage
- (5) Accu^{a)}
- (6) Bouton de déverrouillage d'accu^{a)}
- (7) Écran de contrôle
- (8) Interrupteur Marche/Arrêt
- (9) Poignée (surface de préhension isolante)
- (10) Accessoire de travail (par ex. douille^{a)})

Écran de contrôle

- (11) Affichage d'état de l'outil électroportatif
- (12) Affichage du mode
- (13) Touche éclairage
(**GDS 18V-1000, GDS 18V-1050 H**)
- (14) Touche mode
(**GDS 18V-1000 C, GDS 18V-1050 HC**)
- (15) LED d'éclairage
- (16) Touche présélection de vitesse
- (17) Affichage plage de vitesses présélectionnée

a) **Les accessoires décrits ou illustrés ne sont pas tous compris dans la fourniture. Vous trouverez les accessoires complets dans notre gamme d'accessoires.**

Visseuse à choc sans-fil		GDS 18V-1000	GDS 18V-1050 H	GDS 18V-1000 C	GDS 18V-1050 HC
Porte-outil		■ ½"	■ ¾"	■ ½"	■ ¾"
Poids selon EPTA-Procédure 01:2014 ^{B)}	kg	3,3-4,4	3,3-4,4	3,3-4,4	3,3-4,4
Températures ambiantes recommandées pour la charge	°C	0 ... +35	0 ... +35	0 ... +35	0 ... +35
Températures ambiantes autorisées pour l'utilisation et pour le stockage	°C	-20 ... +50	-20 ... +50	-20 ... +50	-20 ... +50
Accus compatibles		GBA 18V... ProCORE18V...	GBA 18V... ProCORE18V...	GBA 18V... ProCORE18V...	GBA 18V... ProCORE18V...
Accus recommandés pour des performances maximales		ProCORE18V... ≥ 5,5 Ah	ProCORE18V... ≥ 5,5 Ah	ProCORE18V... ≥ 5,5 Ah	ProCORE18V... ≥ 5,5 Ah
Chargeurs recommandés		GAL 18... GAX 18... GAL 36...	GAL 18... GAX 18... GAL 36...	GAL 18... GAX 18... GAL 36...	GAL 18... GAX 18... GAL 36...
Transmission de données					
Bluetooth ^{®C)}		-	-	Bluetooth [®] 4.1 (Low Energy)	Bluetooth [®] 4.1 (Low Energy)
Rapport signal/bruit	s	-	-	8	8
Portée de signal maximale ^{D)}	m	-	-	30	30

A) Mesuré à 20-25 °C avec accus **ProCORE18V 8.0Ah**.

B) Mesuré avec **GBA 18V 1.5Ah** et **GBA 18V 12Ah**.

C) Les périphériques mobiles (smartphones, tablettes) doivent être compatibles avec la technologie Bluetooth[®] Low Energy (version 4.1) et prendre en charge le profil GAP (Generic Access Profile).

D) La portée peut varier sensiblement selon les conditions extérieures et le type de périphérique mobile utilisé. Dans une pièce fermée et à travers des barrières métalliques (par exemple, parois murales, étagères, coffres, etc.), la portée du Bluetooth[®] peut se trouver fortement réduite.

Informations sur le niveau sonore/les vibrations

		GDS 18V-1000	GDS 18V-1050 H	GDS 18V-1000 C	GDS 18V-1050 HC
Valeurs d'émissions sonores déterminées conformément à EN 62841-2-2 .					
Le niveau sonore en dB(A) typique de l'outil électroportatif est de :					
Niveau de pression acoustique	dB(A)	91	95	95	95
	dB(A)	102	106	106	106
Niveau de puissance acoustique	dB	3	3	3	3
Incertitude K					
Portez un casque antibruit !					
Valeurs globales de vibration a_h (somme vectorielle sur les trois axes) et incertitude K conformément à EN 62841-2-2 :					
Serrage des vis et écrous de la taille maximale admissible					
a_h	m/s^2	12	13	13,5	13,5
K	m/s^2	1,5	1,5	1,5	1,5

Le niveau de vibration et la valeur d'émission sonore indiqués dans cette notice d'utilisation ont été mesurés conformément à la norme et peuvent être utilisés pour une comparaison entre les outils électroportatifs. Ils peuvent aussi servir de base à une estimation préliminaire du taux de vibration et du niveau sonore.

Le niveau de vibration et la valeur d'émission sonore indiqués s'appliquent pour les utilisations principales de l'outil électroportatif. Si l'outil électroportatif est utilisé pour d'autres applications, avec d'autres accessoires de travail ou sans avoir fait l'objet d'un entretien régulier, le niveau de vibration et la valeur d'émission sonore peuvent différer. Il

peut en résulter des vibrations et un niveau sonore nettement plus élevés pendant toute la durée de travail.

Pour une estimation précise du niveau de vibration et du niveau sonore, il faut aussi prendre en considération les périodes pendant lesquelles l'outil est éteint ou bien en marche sans être vraiment en action. Il peut en résulter au final un niveau de vibration et un niveau sonore nettement plus faibles pendant toute la durée de travail.

Prévoyez des mesures de protection supplémentaires permettant de protéger l'utilisateur de l'effet des vibrations, par exemple : maintenance de l'outil électroportatif et des accessoires de travail, maintien des mains au chaud, organisation des procédures de travail.

Montage

- **Retirez l'accu de l'appareil électroportatif avant toute intervention (opérations d'entretien/de maintenance, changement d'accessoire, etc.) ainsi que lors de son transport et rangement.** Il y a sinon risque de blessure lorsqu'on appuie par mégarde sur l'interrupteur Marche/Arrêt.

Recharge de l'accu

- **N'utilisez que les chargeurs indiqués dans les Caractéristiques techniques.** Ils sont les seuls à être adaptés à l'accu Lithium-Ion de votre outil électroportatif.

Remarque : L'accu est fourni partiellement chargé. Pour obtenir les performances maximales, chargez l'accu jusqu'à sa pleine capacité avant la première utilisation.

L'accu Lithium-Ion peut être rechargé à tout moment, sans risquer de réduire sa durée de vie. Le fait d'interrompre le processus de charge n'endommage pas l'accu.

L'accu Lithium-Ion est protégé contre une décharge complète par « Electronic Cell Protection (ECP) » (l'électronique de protection des cellules). Lorsque l'accu est déchargé, l'outil électroportatif s'arrête grâce à un dispositif d'arrêt de protection : l'accessoire de travail ne tourne plus.

- **Après l'arrêt automatique de l'outil électroportatif, n'appuyez plus sur l'interrupteur Marche/Arrêt.** L'accu pourrait être endommagé.

Respectez les indications concernant l'élimination.

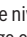
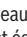
Retrait de l'accu

L'accu (5) dispose de deux positions de verrouillage permettant d'éviter que l'accu tombe si l'on appuie par mégarde sur la touche de déverrouillage de l'accu (6). Tant que l'accu reste en place dans l'outil électroportatif, un ressort le maintient en position.

Pour retirer l'accu (5), appuyez sur la touche de déverrouillage (6) et dégagez l'accu de l'outil électroportatif. **Ne forcez pas.**

Indicateur de niveau de charge de l'accu

Les LED vertes de l'indicateur d'état de charge indiquent le niveau de charge de la batterie. Pour des raisons de sécurité, il n'est possible d'afficher l'état de charge que quand l'outil électroportatif est à l'arrêt.

Pour afficher le niveau de charge, appuyez sur le bouton de l'indicateur de niveau de charge  ou . L'affichage du niveau de charge est également possible après retrait de l'accu.

Si aucune LED ne s'allume après avoir appuyé sur le bouton de l'indicateur de niveau de charge, la batterie est défectueuse et doit être remplacée.

Batterie de type GBA 18V...



LED	Capacité
3 LED allumées en vert	60–100 %
2 LED allumées en vert	30–60 %
1 LED allumée en vert	5–30 %
Clignotement en vert d'1 LED	0–5 %

Batterie de type ProCORE18V...



LED	Capacité
5 LED allumées en vert	80–100 %
4 LED allumées en vert	60–80 %
3 LED allumées en vert	40–60 %
2 LED allumées en vert	20–40 %
1 LED allumée en vert	5–20 %
Clignotement en vert d'1 LED	0–5 %

Mise en place du module Bluetooth® Low Energy GCY 42 (accessoire)

Pour plus d'informations, veuillez lire la notice d'utilisation du module Bluetooth® Low Energy GCY 42.

Changement d'accessoire (voir figures A–B)

- **Retirez l'accu de l'appareil électroportatif avant toute intervention (opérations d'entretien/de maintenance, changement d'accessoire, etc.) ainsi que lors de son transport et rangement.** Il y a sinon risque de blessure lorsqu'on appuie par mégarde sur l'interrupteur Marche/Arrêt.

- **Lors de la mise en place de l'accessoire de travail, veillez à bien le fixer sur le porte-outil.** Si l'accessoire de travail n'est pas correctement fixé, il peut se détacher lors des vissages.

Placez l'accessoire de travail (10) sur le carré mâle du porte-outil (1).

Mise en marche

Fonctionnement

Le porte-outil **(1)** et l'accessoire de travail sont entraînés par un moteur électrique par l'intermédiaire d'un engrenage et d'un mécanisme de frappe.

L'opération se déroule en deux phases :

vissage puis **serrage** (mécanisme de frappe en action).

Le mécanisme de frappe entre en action dès que la vis est serrée et que le moteur est sollicité. Le mécanisme de frappe transforme ainsi la puissance du moteur en impacts de rotation réguliers. Lors du desserrage des vis ou des écrous, l'opération se déroule dans l'ordre inverse.

Mise en marche

► **Posez toujours l'outil électroportatif sur le côté et pas debout sur l'accu.** L'outil électroportatif peut sinon basculer suivant l'accessoire et l'accu utilisés.

Montage de l'accu

Remarque : L'utilisation d'accus non conçus pour votre outil électroportatif peut entraîner des dysfonctionnements ou endommager l'outil électroportatif.

Introduisez l'accu chargé **(5)** dans la base de l'outil électroportatif jusqu'à ce que l'accu soit bien verrouillé.

Sélection du sens de rotation (voir figure E)

Le sélecteur de sens de rotation **(2)** permet d'inverser le sens de rotation de l'outil électroportatif. Cela n'est toutefois pas possible lorsqu'on appuie sur l'interrupteur Marche/Arrêt **(8)**.

Affichages d'état

Affichage État de l'outil élec- troportatif (11)	Signification/cause	Remède
Vert	État OK	–
Jaune	Température critique atteinte ou accu presque vide	Faire fonctionner l'outil électroportatif à vide et attendre qu'il refroidisse ou bien changer / recharger l'accu
Rouge non clignotant	Outil électroportatif en surchauffe ou accu vide	Laisser refroidir l'outil électroportatif ou bien changer / recharger l'accu
Bleu clignotant	L'outil électroportatif est connecté à un périphérique mobile ou les réglages sont en train d'être transmis	–

Présélection de vitesse de rotation

La touche de présélection **(16)** offre le choix entre 3 plages de régime différentes. Actionnez la touche **(16)** de façon répétée jusqu'à ce qu'apparaisse le réglage souhaité au niveau de l'indicateur de vitesse **(17)**. La position sélectionnée est mémorisée.

GDS 18V-1000 C / GDS 18V-1050 HC:

Vous pouvez aussi effectuer la présélection de vitesse via l'application Bosch Toolbox.

Rotation droite : Pour serrer des vis et des écrous, actionnez le sélecteur de sens de rotation **(2)** à fond vers la gauche.

Rotation gauche : Pour desserrer ou dévisser des vis et des écrous, actionnez le sélecteur de sens de rotation **(2)** à fond vers la droite.

Réglage de la vitesse de rotation/de la fréquence de frappe

Vous pouvez faire varier en continu la vitesse de rotation / la fréquence de frappe de l'outil électroportatif en jouant sur la pression exercée sur l'interrupteur Marche/Arrêt **(8)**.

Légère pression sur l'interrupteur Marche/Arrêt **(8)** faible vitesse de rotation/fréquence de frappe. Plus la pression augmente, plus la vitesse de rotation/la fréquence de frappe est élevée.

Mise en marche/arrêt

Pour **mettre en marche** l'outil électroportatif, actionnez l'interrupteur Marche/Arrêt **(8)** et maintenez-le actionné.

La LED d'éclairage **(15)** s'allume dès que l'interrupteur Marche/Arrêt **(8)** est enfoncé un peu ou complètement. Elle permet d'éclairer la zone de travail dans les endroits sombres.

Pour **arrêter** l'outil électroportatif, relâchez l'interrupteur Marche/Arrêt **(8)**.

Écran de contrôle (voir figures D-E)

GDS 18V-1000 C / GDS 18V-1050 HC:

L'écran de contrôle **(7)** sert à la présélection de vitesse, à la sélection des modes de fonctionnement et à l'affichage d'état de l'outil électroportatif.

	Plage de régimes prééglée dans la position		
	1	2	3
	[tr/min]	[tr/min]	[tr/min]
Nombre de vitesses			
3	0-1 100	0-2 300	0-3 400

La touche de présélection de vitesse (16) permet de présélectionner la plage de vitesses de rotation souhaitée, même quand l'outil électroportatif est en marche.

Activation de l'éclairage LED

GDS 18V-1000 / GDS 18V-1050 H:

Pour activer et désactiver l'éclairage LED (15), actionnez la touche (13).

- **Ne regardez pas directement les LED. Risque d'éblouissement.**

Sélection du mode de fonctionnement

GDS 18V-1000 C / GDS 18V-1050 HC:

L'outil électroportatif dispose de 2 modes de fonctionnement prédéfinis : **A** et **B** (12). Vous pouvez via l'application Bosch Toolbox personnaliser les modes de fonctionnement **A** et **B** (12) pour des applications spécifiques et modifier les réglages existants.

Pour commuter entre les modes **A** et **B** (12), actionnez la touche (14).

Instructions d'utilisation

- **Positionnez l'outil électroportatif sur la vis/sur l'écrou seulement lorsqu'il est à l'arrêt.** Un accessoire en rotation risque de glisser.
- **En présence du module Bluetooth® Low Energy GCY 42 (accessoire), l'outil électroportatif est doté d'une interface radio. Observez les restrictions d'utilisation locales en vigueur, par ex. dans les avions ou dans les hôpitaux.**

Valeurs indicatives pour les couples de serrage de vis maximaux

Valeurs indiquées en Nm, calculées à partir de la section de résistance ; utilisation de la limite d'élasticité à 90 % (pour un coefficient de frottement $\mu_{tot} = 0,12$). Contrôlez toujours le couple à l'aide d'une clé dynamométrique.

Classes de résistance selon DIN 267	Vis standard						Vis haute résistance				
	3.6	4.6	5.6	4.8	6.6	5.8	6.8	6.9	8.8	10.9	12.9
M10	13	17.5	22	23	26	29	35	39	47	65	78
M12	22.6	30	37.6	40	45	50	60	67	80	113	135
M14	36	48	60	65	72	79	95	107	130	180	215
M16	55	73	92	98	110	122	147	165	196	275	330
M18	75	101	126	135	151	168	202	227	270	380	450
M20	107	143	178	190	214	238	286	320	385	540	635
M22	145	190	240	255	290	320	385	430	510	715	855
M24	185	245	310	325	370	410	490	455	650	910	1100

Le couple dépend de la durée des chocs. Le couple maximal atteint résulte de la somme des couples générés lors de chaque choc. Le couple maximal est atteint au bout d'une durée de choc de 6 à 10 secondes. Au-delà de cette durée, le couple de serrage n'augmente plus que faiblement.

Il est nécessaire de déterminer la durée de chocs pour chaque couple de serrage. Contrôlez toujours le couple réellement atteint à l'aide d'une clé dynamométrique.

Vissages durs, élastiques et tendres

Si l'on mesure et retranscrit sur un diagramme les couples obtenus lors d'une succession de chocs, on obtient la courbe caractéristique de couple. Le sommet de la courbe indique le couple maximum que l'on peut atteindre, la pente indique le temps pendant lequel ce couple est atteint.

L'évolution du couple et donc l'allure de la courbe dépendent des facteurs suivants :

- Résistance des vis/écrous
- Nature du support (rondelle, rondelle élastique, joint)
- Résistance du matériau à visser
- Conditions de graissage à l'endroit du vissage

Il en résulte une distinction entre trois types de vissages :

- Un **vissage dur** désigne un vissage métal sur métal avec utilisation de rondelles. Le couple maximal est atteint au bout d'une durée de chocs relativement courte (courbe à pente raide). Une prolongation inutile de la durée des chocs est préjudiciable à l'outil.
- Un **vissage élastique** désigne un vissage métal sur métal, mais avec utilisation de rondelles élastiques, de rondelles ressorts, de goujons ou de vis/écrous coniques ainsi qu'avec utilisation de rallonges.
- Un **vissage tendre** désigne un vissage métal sur bois p. ex. ou avec utilisation de rondelles en plomb ou en fibre comme intercalaire.

Dans le cas d'un vissage élastique ou tendre, le couple de serrage maximal est plus faible que dans le cas d'un vissage dur. Ces deux types de vissage nécessitent par ailleurs une durée de chocs plus longue que pour un vissage dur.

Conseils

Avant de visser des vis de gros diamètre ou très longues dans des matériaux durs, il est recommandé d'effectuer un préperçage au diamètre intérieur de filetage sur approximativement les 2/3 de la longueur de la vis.

Remarque : Veillez à ce qu'aucune pièce métallique (pièce de fixation par ex.) ne pénètre dans l'outil électroportatif.

Après avoir travaillé à une petite vitesse pendant une période relativement longue, faites tourner l'outil électroportatif à vide au régime maximal pendant une durée de 3 minutes environ afin de le laisser refroidir.

Indications pour l'utilisation optimale de l'accu

Protégez l'accu de l'humidité et de l'eau.

Ne stockez l'accu que dans la plage de températures de -20 à 50 °C. Ne laissez par ex. pas l'accu dans une voiture en plein été.

Une baisse notable de l'autonomie de l'accu au fil des recharges effectuées indique que l'accu est arrivé en fin de vie et qu'il doit être remplacé.

Respectez les indications concernant l'élimination.

Clip d'accrochage

Le clip d'accrochage (4) permet d'accrocher l'outil électroportatif p. ex. à un escabeau.



La vis du clip d'accrochage doit être serrée avec un couple de 2,0–2,5 Nm.

Pilotage de la lampe via l'application mobile

GDS 18V-1000 C / GDS 18V-1050 HC:

L'outil électroportatif est ou peut être équipé d'un module *Bluetooth*® permettant de transmettre par ondes radio des données vers certains appareils mobiles pourvus d'une interface *Bluetooth*® (p. ex. smartphone, tablette).

Pour pouvoir piloter l'outil électroportatif via *Bluetooth*®, vous avez besoin de l'application « Bosch Toolbox ». Téléchargez l'application sur la plateforme dédiée (Apple App Store ou Google Play Store).

Sélectionnez ensuite dans l'application le sous-menu « My Tools ». Sur l'écran de votre appareil mobile (smartphone, tablette) sont alors indiquées toutes les étapes à suivre pour connecter l'outil électroportatif à l'appareil mobile.

Une fois que la connexion avec l'appareil mobile a été établie, les fonctions suivantes sont disponibles :

- Enregistrement et personnalisation
- Vérification d'état, émission d'avertissements
- Informations générales et réglages
- Gestion
- Présélection des vitesses
- Réglage des modes de fonctionnement

Entretien et Service après-vente

Nettoyage et entretien

- ▶ **Nettoyez régulièrement les ouïes d'aération de l'outil électroportatif.** Le ventilateur du moteur attire la poussière à l'intérieur du carter et une accumulation excessive

de poussière de métal accroît le risque de choc électrique.

- ▶ **Retirez l'accu de l'appareil électroportatif avant toute intervention (opérations d'entretien/de maintenance, changement d'accessoire, etc.) ainsi que lors de son transport et rangement.** Il y a sinon risque de blessure lorsqu'on appuie par mégarde sur l'interrupteur Marche/Arrêt.
- ▶ **Tenez toujours propres l'outil électroportatif ainsi que les fentes de ventilation afin d'obtenir un travail impeccable et sûr.**

Service après-vente et conseil utilisateurs

Notre Service après-vente répond à vos questions concernant la réparation et l'entretien de votre produit et les pièces de rechange. Vous trouverez des vues éclatées et des informations sur les pièces de rechange sur le site :

www.bosch-pt.com

L'équipe de conseil utilisateurs Bosch se tient à votre disposition pour répondre à vos questions concernant nos produits et leurs accessoires.

Pour toute demande de renseignement ou toute commande de pièces de rechange, précisez impérativement la référence à 10 chiffres figurant sur l'étiquette signalétique du produit.

Maroc

Robert Bosch Morocco SARL
53, Rue Lieutenant Mahroud Mohamed
20300 Casablanca
Tel.: +212 5 29 31 43 27
E-Mail : sav.outillage@ma.bosch.com

Vous trouverez d'autres adresses du service après-vente sous :

www.bosch-pt.com/serviceadresses

Transport

Les accus Lithium-ion sont soumis à la réglementation relative au transport de matières dangereuses. Pour le transport par voie routière, aucune mesure supplémentaire n'a besoin d'être prise.

Lors d'une expédition par un tiers (par ex. transport aérien ou entreprise de transport), des mesures spécifiques doivent être prises concernant l'emballage et le marquage. Pour la préparation de l'envoi, faites-vous conseiller par un expert en transport de matières dangereuses.

N'expédiez que des accus dont le boîtier n'est pas endommagé. Recouvrez les contacts non protégés et emballez l'accu de manière à ce qu'il ne puisse pas se déplacer dans l'emballage. Veuillez également respecter les réglementations supplémentaires éventuellement en vigueur.

Élimination des déchets



Les outils électroportatifs, les accus ainsi que leurs accessoires et emballages doivent être rapportés dans un centre de recyclage respectueux de l'environnement.



Ne jetez pas les outils électroportatifs et les accus/piles avec les ordures ménagères !

Accus/piles :

Li-Ion :

Veillez respecter les indications se trouvant dans le chapitre Transport (voir « Transport », Page 22).



Português

Instruções de segurança

Instruções gerais de segurança para ferramentas eléctricas

AVISO

Devem ser lidas todas as indicações de segurança,

instruções, ilustrações e especificações desta ferramenta eléctrica. O desrespeito das instruções apresentadas abaixo poderá resultar em choque eléctrico, incêndio e/ou ferimentos graves.

Guarde bem todas as advertências e instruções para futura referência.

O termo "ferramenta eléctrica" utilizado a seguir nas indicações de advertência, refere-se a ferramentas eléctricas operadas com corrente de rede (com cabo de rede) e a ferramentas eléctricas operadas com acumulador (sem cabo de rede).

Segurança da área de trabalho

- ▶ **Mantenha a sua área de trabalho sempre limpa e bem iluminada.** Desordem ou áreas de trabalho insuficientemente iluminadas podem levar a acidentes.
- ▶ **Não trabalhar com a ferramenta eléctrica em áreas com risco de explosão, nas quais se encontrem líquidos, gases ou pós inflamáveis.** Ferramentas eléctricas produzem faíscas, que podem inflamar pós ou vapores.
- ▶ **Manter crianças e outras pessoas afastadas da ferramenta eléctrica durante a utilização.** No caso de distração é possível que perca o controlo sobre o aparelho.

Segurança eléctrica

- ▶ **A ficha de conexão da ferramenta eléctrica deve caber na tomada. A ficha não deve ser modificada de maneira alguma. Não utilizar uma ficha de adaptação junto com ferramentas eléctricas protegidas por ligação à terra.** Fichas não modificadas e tomadas apropriadas reduzem o risco de um choque eléctrico.
- ▶ **Evitar que o corpo possa entrar em contacto com superfícies ligadas à terra, como tubos, aquecimentos, fogões e frigoríficos.** Há um risco

elevado devido a choque eléctrico, se o corpo estiver ligado à terra.

- ▶ **Manter o aparelho afastado de chuva ou humidade.** A infiltração de água numa ferramenta eléctrica aumenta o risco de choque eléctrico.
- ▶ **Não deverá utilizar o cabo para outras finalidades. Nunca utilizar o cabo para transportar a ferramenta eléctrica, para pendurá-la, nem para puxar a ficha da tomada. Manter o cabo afastado do calor, do óleo, de arestas afiadas ou de peças em movimento.** Cabos danificados ou emaranhados aumentam o risco de um choque eléctrico.
- ▶ **Se trabalhar com uma ferramenta eléctrica ao ar livre, só deverá utilizar cabos de extensão apropriados para áreas exteriores.** A utilização de um cabo de extensão apropriado para áreas exteriores reduz o risco de um choque eléctrico.
- ▶ **Se não for possível evitar o funcionamento da ferramenta eléctrica em áreas húmidas, deverá ser utilizado um disjuntor de corrente de avaria.** A utilização de um disjuntor de corrente de avaria reduz o risco de um choque eléctrico.

Segurança de pessoas

- ▶ **Esteja atento, observe o que está a fazer e tenha prudência ao trabalhar com a ferramenta eléctrica. Não utilizar uma ferramenta eléctrica quando estiver fatigado ou sob a influência de drogas, álcool ou medicamentos.** Um momento de descuido ao utilizar a ferramenta eléctrica, pode levar a lesões graves.
- ▶ **Utilizar equipamento de protecção individual. Utilizar sempre óculos de protecção.** A utilização de equipamento de protecção pessoal, como máscara de protecção contra pó, sapatos de segurança antiderrapantes, capacete de segurança ou protecção auricular, de acordo com o tipo e aplicação da ferramenta eléctrica, reduz o risco de lesões.
- ▶ **Evitar uma colocação em funcionamento involuntária. Assegure-se de que a ferramenta eléctrica esteja desligada, antes de conectá-la à alimentação de rede e/ou ao acumulador, antes de levantá-la ou de transportá-la.** Se tiver o dedo no interruptor ao transportar a ferramenta eléctrica ou se o aparelho for conectado à alimentação de rede enquanto estiver ligado, poderão ocorrer acidentes.
- ▶ **Remover ferramentas de ajuste ou chaves de boca antes de ligar a ferramenta eléctrica.** Uma ferramenta ou chave que se encontre numa parte do aparelho em movimento pode levar a lesões.
- ▶ **Evite uma posição anormal. Mantenha uma posição firme e mantenha sempre o equilíbrio.** Desta forma é mais fácil controlar a ferramenta eléctrica em situações inesperadas.
- ▶ **Usar roupa apropriada. Não usar roupa larga nem jóias. Mantenha os cabelos e roupas afastados de peças em movimento.** Roupas frouxas, cabelos longos ou jóias podem ser agarrados por peças em movimento.

- ▶ **Se for possível montar dispositivos de aspiração ou de recolha, assegure-se de que estejam conectados e utilizados correctamente.** A utilização de uma aspiração de pó pode reduzir o perigo devido ao pó.
- ▶ **Não deixe que a familiaridade resultante de uma utilização frequente de ferramentas permita que você se torne complacente e ignore os princípios de segurança da ferramenta.** Uma acção descuidada pode causar ferimentos graves numa fracção de segundo.

Utilização e manuseio cuidadoso de ferramentas eléctricas

- ▶ **Não sobrecarregue a ferramenta eléctrica. Utilize a ferramenta eléctrica apropriada para o seu trabalho.** É melhor e mais seguro trabalhar com a ferramenta eléctrica apropriada na área de potência indicada.
- ▶ **Não utilizar uma ferramenta eléctrica com um interruptor defeituoso.** Uma ferramenta eléctrica que não pode mais ser ligada nem desligada, é perigosa e deve ser reparada.
- ▶ **Puxar a ficha da tomada e/ou remover o acumulador, se amovível, antes de executar ajustes na ferramenta eléctrica, de substituir acessórios ou de guardar as ferramentas eléctricas.** Esta medida de segurança evita o arranque involuntário da ferramenta eléctrica.
- ▶ **Guardar ferramentas eléctricas não utilizadas fora do alcance de crianças e não permitir que as pessoas que não estejam familiarizadas com o aparelho ou que não tenham lido estas instruções utilizem o aparelho.** Ferramentas eléctricas são perigosas se forem utilizadas por pessoas inexperientes.
- ▶ **Tratar a ferramenta eléctrica e os acessórios com cuidado. Controlar se as partes móveis do aparelho funcionam perfeitamente e não emperram, e se há peças quebradas ou danificadas que possam prejudicar o funcionamento da ferramenta eléctrica. Permitir que peças danificadas sejam reparadas antes da utilização.** Muitos acidentes têm como causa, a manutenção insuficiente de ferramentas eléctricas.
- ▶ **Manter as ferramentas de corte afiadas e limpas.** Ferramentas de corte cuidadosamente tratadas e com cantos de corte afiados emperram com menos frequência e podem ser conduzidas com maior facilidade.
- ▶ **Utilizar a ferramenta eléctrica, acessórios, ferramentas de aplicação, etc. conforme estas instruções. Considerar as condições de trabalho e a tarefa a ser executada.** A utilização de ferramentas eléctricas para outras tarefas a não ser as aplicações previstas, pode levar a situações perigosas.
- ▶ **Mantenha os punhos e as superfícies de agarrar secas, limpas e livres de óleo e massa consistente.** Punhos e superfícies de agarrar escorregadias não permitem o manuseio e controle seguros da ferramenta em situações inesperadas.

Manuseio e utilização cuidadosos de ferramentas com acumuladores

- ▶ **Só carregar acumuladores em carregadores recomendados pelo fabricante.** Há perigo de incêndio se um carregador apropriado para um certo tipo de acumuladores for utilizado para carregar acumuladores de outros tipos.
- ▶ **Só utilizar ferramentas eléctricas com os acumuladores apropriados.** A utilização de outros acumuladores pode levar a lesões e perigo de incêndio.
- ▶ **Manter o acumulador que não está sendo utilizado afastado de cliques, moedas, chaves, parafusos ou outros pequenos objectos metálicos que possam causar um curto-circuito dos contactos.** Um curto-circuito entre os contactos do acumulador pode ter como consequência queimaduras ou fogo.
- ▶ **No caso de aplicação incorrecta pode vaziar líquido do acumulador. Evitar o contacto. No caso de um contacto accidental, deverá enxaguar com água. Se o líquido entrar em contacto com os olhos, também deverá consultar um médico.** Líquido que escapa do acumulador pode levar a irritações da pele ou a queimaduras.
- ▶ **Não use um acumulador ou uma ferramenta danificada ou modificada.** Os acumuladores danificados ou modificados exibem um comportamento imprevisível podendo causar incêndio, explosão ou risco de lesão.
- ▶ **Não exponha o acumulador ou a ferramenta ao fogo ou temperatura excessiva.** A exposição ao fogo ou a temperaturas acima de 130 °C pode causar explosão.
- ▶ **Siga todas as instruções de carregamento e não carregue o acumulador ou a ferramenta fora da faixa de temperatura especificada no manual de instruções.** Carregar indevidamente ou em temperaturas fora da faixa especificada pode danificar o acumulador e aumentar o risco de incêndio.

Serviço

- ▶ **Só permita que o seu aparelho seja reparado por pessoal especializado e qualificado e só com peças de reposição originais.** Desta forma é assegurado o funcionamento seguro do aparelho.
- ▶ **Nunca tente reparar acumuladores danificados.** A reparação de acumuladores deve ser realizada apenas pelo fabricante ou agentes de assistência autorizados.

Indicações de segurança para aparafusadoras de impacto

- ▶ **Segure a ferramenta eléctrica nas superfícies de agarrar isoladas, ao executar uma operação onde o parafuso possa entrar em contacto com cabos escondidos.** O contacto do parafuso com um fio "sob tensão" irá colocar as partes metálicas expostas da ferramenta eléctrica "sob tensão" e produzir um choque eléctrico.
- ▶ **Utilizar detetores apropriados, para encontrar cabos escondidos, ou consulte a companhia eléctrica local.** O

contacto com cabos elétricos pode provocar fogo e choques elétricos. Danos em tubos de gás podem levar à explosão. A infiltração num cano de água provoca danos materiais.

- ▶ **Segure bem a ferramenta elétrica.** Ao apertar e soltar parafusos podem ocorrer temporariamente elevados momentos de reação.
- ▶ **Fixar a peça a ser trabalhada.** Uma peça a ser trabalhada fixa com dispositivos de aperto ou com torno de bancada está mais firme do que segurada com a mão.
- ▶ **Esperre que a ferramenta elétrica pare completamente, antes de depositá-la.** A ferramenta de aplicação pode emperrar e levar à perda de controlo sobre a ferramenta elétrica.
- ▶ **Em caso de danos e de utilização incorreta da bateria, podem escapar vapores. A bateria pode incendiar-se ou explodir.** Areje o espaço e procure assistência médica no caso de apresentar queixas. É possível que os vapores irrite as vias respiratórias.
- ▶ **Não abrir o acumulador.** Há risco de um curto-circuito.
- ▶ **Os objetos afiados como, p. ex., pregos ou chaves de fendas, assim como o efeito de forças externas podem danificar o acumulador.** Podem causar um curto-circuito interno e o acumulador pode ficar queimado, deitar fumo, explodir ou sobreaquecer.
- ▶ **Use a bateria apenas em produtos do fabricante.** Só assim é que a bateria é protegida contra sobrecarga perigosa.



Proteger a bateria contra calor, p. ex. também contra uma permanente radiação solar, fogo, sujidade, água e humidade. Há risco de explosão ou de um curto-circuito.



- ▶ **As ferramentas acopláveis podem aquecer durante o trabalho! Existe perigo de queimaduras durante a troca da ferramenta acoplável.** Utilize luvas de proteção para retirar a ferramenta acoplável.
- ▶ **Cuidado! A utilização da ferramenta elétrica com Bluetooth® pode dar origem a avarias noutros aparelhos e instalações, aviões e dispositivos médicos (p. ex. pacemakers, aparelhos auditivos). Do mesmo modo, não é possível excluir totalmente danos para pessoas e animais que se encontrem nas proximidades imediatas. Não utilize a ferramenta elétrica com Bluetooth® na proximidade de dispositivos médicos, postos de abastecimento de combustível, instalações químicas, áreas com perigo de explosão e zonas de demolição. Não utilize a ferramenta elétrica com Bluetooth® em aviões. Evite a operação prolongada em contacto direto com o corpo.**

A marca nominativa *Bluetooth®* tal como o símbolo (logótipo), são marcas registadas e propriedade da Bluetooth SIG, Inc. Qualquer utilização desta marca

nominativa/deste símbolo por parte da Robert Bosch Power Tools GmbH possui a devida autorização.

Descrição do produto e do serviço



Leia todas as instruções de segurança e instruções. A inobservância das instruções de segurança e das instruções pode causar choque elétrico, incêndio e/ou ferimentos graves.

Respeite as figuras na parte da frente do manual de instruções.

Utilização adequada

A ferramenta elétrica é destinada para apertar e soltar parafusos, assim como para apertar e soltar porcas com as dimensões especificadas e na respetiva gama de dimensões indicada.

Os dados e as definições da ferramenta elétrica podem ser transmitidos entre ferramenta e o aparelho terminal móvel através do *Bluetooth®* Low Energy Module **GCY 42** via tecnologia de radiotransmissão *Bluetooth®*.

Componentes ilustrados

A numeração dos componentes ilustrados refere-se à apresentação da ferramenta elétrica na página de esquemas.

- (1) Fixação da ferramenta
- (2) Comutador do sentido de rotação
- (3) Cobertura Bluetooth® Low Energy Module **GCY 42**
- (4) Clipe para escadote
- (5) Bateria^{a)}
- (6) Tecla de desbloqueio da bateria^{a)}
- (7) Interface de utilizador
- (8) Interruptor de ligar/desligar
- (9) Punho (superfície do punho isolada)
- (10) Ferramenta de trabalho (p. ex. chave de caixa)^{a)}

Interface de utilizador

- (11) Indicação do estado da ferramenta elétrica
- (12) Modo de indicação
- (13) Tecla luz de trabalho
(GDS 18V-1000, GDS 18V-1050 H)
- (14) Tecla de modo
(GDS 18V-1000 C, GDS 18V-1050 HC)
- (15) Luz de trabalho
- (16) Tecla de pré-seleção da velocidade de rotação
- (17) Indicação da pré-seleção da velocidade de rotação

a) Acessórios apresentados ou descritos não pertencem ao volume de fornecimento padrão. Todos os acessórios encontram-se no nosso programa de acessórios.

Dados técnicos

Aparafusadora de percussão sem fio		GDS 18V-1000	GDS 18V-1050 H	GDS 18V-1000 C	GDS 18V-1050 HC
Número de produto		3 601 JJ8 3..	3 601 JJ8 5..	3 601 JJ8 0..	3 601 JJ8 2..
Tensão nominal	V=	18	18	18	18
N.º de rotações em vazio ^{A)}					
- Ajuste 1	r.p.m.	0-800	0-800	0-800	0-800
- Ajuste 2	r.p.m.	0-1200	0-1200	0-1300	0-1300
- Ajuste 3	r.p.m.	0-1750	0-1750	0-1750	0-1750
N.º de impactos ^{A)}					
- Ajuste 1	i.p.m.	0-1600	0-1600	0-1600	0-1600
- Ajuste 2	r.p.m.	0-2400	0-2400	0-2300	0-2300
- Ajuste 3	r.p.m.	0-2600	0-2600	0-2600	0-2600
Binário ^{A)}					
- Ajuste 1	Nm	0-350	0-350	0-350	0-350
- Ajuste 2	Nm	0-700	0-750	0-650	0-650
- Ajuste 3	Nm	0-1000	0-1050	0-1000	0-1050
Binário máx. de aperto ^{A)}	Nm	1000	1050	1000	1050
Binário máx. de afrouxamento ^{A)}	Nm	1600	1700	1600	1700
Ø parafusos comuns	mm	M14-M24	M14-M24	M14-M24	M14-M24
Encabadouro		■ ½"	■ ¾"	■ ½"	■ ¾"
Peso conforme EPTA-Procedure 01:2014 ^{B)}	kg	3,3-4,4	3,3-4,4	3,3-4,4	3,3-4,4
Temperatura ambiente recomendada durante o carregamento	°C	0 ... +35	0 ... +35	0 ... +35	0 ... +35
Temperatura ambiente admissível em funcionamento e durante o armazenamento	°C	-20 ... +50	-20 ... +50	-20 ... +50	-20 ... +50
Baterias compatíveis		GBA 18V... ProCORE18V...	GBA 18V... ProCORE18V...	GBA 18V... ProCORE18V...	GBA 18V... ProCORE18V...
Baterias recomendadas para potência máxima		ProCORE18V... ≥ 5,5 Ah	ProCORE18V... ≥ 5,5 Ah	ProCORE18V... ≥ 5,5 Ah	ProCORE18V... ≥ 5,5 Ah
Carregadores recomendados		GAL 18... GAX 18... GAL 36...	GAL 18... GAX 18... GAL 36...	GAL 18... GAX 18... GAL 36...	GAL 18... GAX 18... GAL 36...
Transferência de dados					
Bluetooth ^{®C)}		-	-	Bluetooth [®] 4.1 (Low Energy)	Bluetooth [®] 4.1 (Low Energy)
Distância do sinal	s	-	-	8	8
Alcance máx. do sinal ^{D)}	m	-	-	30	30

A) Medido a 20-25 °C com bateria **ProCORE18V 8.0Ah**

B) Medido com **GBA 18V 1.5Ah** e **GBA 18V 12Ah**

C) Os aparelhos terminais móveis têm de ser compatíveis com os aparelhos Low Energy *Bluetooth*[®] (versão 4.1) e suportar o Generic Access Profile (GAP).

D) O raio de ação pode variar substancialmente em função das condições externas, incluindo do aparelho recetor utilizado. Dentro de recintos fechados e através de barreiras metálicas (p. ex. paredes, prateleiras, malas, etc.) o raio de ação do *Bluetooth*[®] pode ser claramente menor.

Informação sobre ruídos / vibrações

GDS 18V-1000 GDS 18V-1050 H GDS 18V-1000 C GDS 18V-1050 HC

Os valores de emissão de ruído foram determinados de acordo com **EN 62841-2-2**.

Normalmente, o nível sonoro de classe A da ferramenta elétrica compreende

Nível de pressão sonora	dB(A)	91	95	95	95
Nível de potência sonora	dB(A)	102	106	106	106
Incerteza K	dB	3	3	3	3

Usar proteção auditiva!

Valores totais de vibração a_h (soma dos vetores das três direções) e incerteza K determinada segundo **EN 62841-2-2**:

Apertar parafusos e porcas com o tamanho máximo admissível

a_h	m/s^2	12	13	13,5	13,5
K	m/s^2	1,5	1,5	1,5	1,5

O nível de vibrações indicado nestas instruções e o valor de emissões sonoras foram medidos de acordo com um processo de medição normalizado e podem ser utilizados para a comparação de ferramentas elétricas. Também são adequados para uma avaliação provisória das emissões sonoras e de vibrações.

O nível de vibrações indicado e o valor de emissões sonoras representam as aplicações principais da ferramenta elétrica. Se a ferramenta elétrica for utilizada para outras aplicações, com outras ferramentas de trabalho ou com manutenção insuficiente, é possível que o nível de vibrações e de emissões sonoras seja diferente. Isto pode aumentar sensivelmente a emissão sonora e de vibrações para o período completo de trabalho.

Para uma estimativa exata da emissão sonora e de vibrações, também deveriam ser considerados os períodos nos quais o aparelho está desligado ou funciona, mas não está sendo utilizado. Isto pode reduzir a emissão sonora e de vibrações durante o completo período de trabalho.

Além disso também deverão ser estipuladas medidas de segurança para proteger o operador contra o efeito de vibrações, como por exemplo: manutenção de ferramentas elétricas e acessórios, manter as mãos quentes e organização dos processos de trabalho.

Montagem

- ▶ **A bateria deverá ser retirada antes de todos os trabalhos na ferramenta elétrica (p. ex. manutenção, troca de ferramenta etc.) e antes de transportar ou de armazenar a mesma.** Há perigo de ferimentos se o interruptor de ligar/desligar for acionado involuntariamente.

Carregar a bateria

- ▶ **Utilize apenas os carregadores listados nos dados técnicos.** Só estes carregadores são apropriados para as baterias de lítio utilizadas na sua ferramenta elétrica.

Nota: A bateria é fornecida parcialmente carregada. Para assegurar a completa potência da bateria, a bateria deverá

ser carregada completamente no carregador antes da primeira utilização.

A bateria de lítio pode ser carregada a qualquer altura, sem que a sua vida útil seja reduzida. Uma interrupção do processo de carga não danifica a bateria.

O acumulador de íões de lítio está protegido contra descarga completa pelo sistema "Electronic Cell Protection (ECP)". A ferramenta elétrica é desligada através de um disjuntor de proteção, logo que o acumulador estiver descarregado. A ferramenta de trabalho não se movimenta mais.

- ▶ **Não continuar a premir o interruptor de ligar/desligar após o desligamento automático da ferramenta elétrica.** A bateria pode ser danificada.

Observe as indicações sobre a eliminação de forma ecológica.

Retirar a bateria



A bateria **(5)** possui dois níveis de travamento, que devem evitar, que a bateria caia, caso a tecla de desbloqueio **(6)** seja premida por acaso. Enquanto a bateria estiver dentro da ferramenta elétrica, ela é mantida em posição por uma mola.

Para retirar a bateria **(5)** pressione a tecla de desbloqueio **(6)** e puxe a bateria para a retirar da ferramenta elétrica.

Não empregar força.

Indicador do nível de carga da bateria

Os LEDs verdes do indicador do nível de carga da bateria indicam o nível de carga da bateria. Por motivos de segurança, a consulta do nível de carga só é possível com a ferramenta elétrica parada.

Prima a tecla para o indicador do nível de carga da bateria  ou  para visualizar o nível de carga. Isto também é possível com a bateria removida.

Se, depois de premir a tecla para o indicador do nível de carga da bateria, não se acender qualquer LED, a bateria tem defeito e tem de ser substituída.

Tipo de bateria GBA 18V...

LEDs	Capacidade
Luz permanente 3 × verde	60–100 %
Luz permanente 2 × verde	30–60 %
Luz permanente 1 × verde	5–30 %
Luz intermitente 1 × verde	0–5 %

Tipo de bateria ProCORE18V...

LEDs	Capacidade
Luz permanente 5 × verde	80–100 %
Luz permanente 4 × verde	60–80 %
Luz permanente 3 × verde	40–60 %
Luz permanente 2 × verde	20–40 %
Luz permanente 1 × verde	5–20 %
Luz intermitente 1 × verde	0–5 %

Usar Bluetooth® Low Energy Module GCY 42 (acessório)

Para informações acerca do *Bluetooth®* Low Energy Module **GCY 42** leia as respetivas instruções de utilização.

Troca de ferramenta (ver figuras A–B)

- ▶ **A bateria deverá ser retirada antes de todos os trabalhos na ferramenta elétrica (p. ex. manutenção, troca de ferramenta etc.) e antes de transportar ou de armazenar a mesma.** Há perigo de ferimentos se o interruptor de ligar/desligar for acionado involuntariamente.
- ▶ **Ao introduzir o acessório, deverá assegurar-se de que este esteja bem seguro no encabadoiro.** Se o acessório não estiver seguramente unido com o encabadoiro, é possível que possa se soltar durante o aparafusamento.

Introduza o acessório **(10)** no quadrado do encabadoiro **(1)**.

Funcionamento**Tipo de funcionamento**

A fixação da ferramenta **(1)** com a ferramenta de trabalho, é acionada por um motor elétrico através de uma engrenagem e um mecanismo de percussão.

O processo de trabalho é estruturado em duas fases: **aparafusar** e **apertar** (mecanismo de percussão em ação).

O mecanismo de percussão entra em ação assim que a união aparafusada se imobilizar e sobrecarregar motor. O mecanismo de percussão transforma a força do motor em golpes giratórios uniformes. Este processo é invertido ao aparafusar parafusos ou porcas.

Colocação em funcionamento

- ▶ **Pouse a ferramenta elétrica sempre de lado e não sobre a bateria.** Consoante a ferramenta de trabalho e a bateria, a ferramenta elétrica pode tombar.

Colocar a bateria

Nota: A utilização de baterias não indicadas para a sua ferramenta elétrica pode causar falhas de funcionamento ou danos na ferramenta elétrica.

Introduza a bateria **(5)** carregada na base da ferramenta elétrica, até a bateria estar travada com firmeza.

Ajustar o sentido de rotação (ver imagem E)

Com o comutador de sentido de rotação **(2)** é possível alterar o sentido de rotação da ferramenta elétrica. Com o interruptor de ligar/desligar pressionado **(8)** isto no entanto não é possível.

Rotação à direita: Premir o comutador do sentido de rotação **(2)** completamente para a esquerda, para atarraxar parafusos e apertar porcas.

Rotação à esquerda: para soltar ou retirar os parafusos pressione o conversor do sentido de rotação **(2)** para trás até ao batente.

Ajustar o número de rotações/impactos

Pode regular o número de rotações/impactos da ferramenta elétrica ligada de forma contínua, consoante a pressão que faz no interruptor de ligar/desligar **(8)**.

Uma leve pressão sobre o interruptor de ligar/desligar **(8)** proporciona um número de rotações/impactos baixo. Aumentando a pressão, é aumentado o n.º de rotações/impactos.

Ligar/desligar

Para a **colocação em funcionamento** da ferramenta elétrica deverá pressionar o interruptor de ligar/desligar **(8)** e mantenha-o pressionado.

A luz de trabalho **(15)** acende-se com o interruptor de ligar/desligar **(8)** completamente ou ligeiramente premido e permite iluminar o local de trabalho em caso de condições de iluminação desfavoráveis.

Para **desligar** a ferramenta elétrica, liberte o interruptor de ligar/desligar **(8)**.

Interface de utilizador (ver figuras D–E)**GDS 18V-1000 C / GDS 18V-1050 HC:**

A interface do utilizador **(7)** é utilizada para a pré-seleção da velocidade de rotação e para a pré-seleção do modo de trabalho, bem como para a indicação do estado da ferramenta elétrica.

Indicadores de estado

Indicação do estado da ferramenta elétrica (11)	Significado/Causa	Solução
Verde	Estado OK	–
Amarelo	Temperatura crítica atingida ou bateria quase vazia	Deixar a ferramenta elétrica funcionar em vazio e arrefecer ou trocar ou carregar bateria em breve
Acender a vermelho	A ferramenta elétrica está sobreaquecida ou a bateria está vazia	Deixar a ferramenta elétrica arrefecer ou trocar ou carregar a bateria
Piscar a azul	A ferramenta elétrica está ligada ao aparelho terminal móvel ou as definições estão a ser transferidas	–

Pré-seleção do número de rotação

Com a tecla pré-seleção da velocidade de rotação (16) pode pré-selecionar o número de rotações/impactos necessário em 3 níveis. Prima a tecla (16) as vezes necessárias até que seja indicado o ajuste desejado na indicação do número de rotações (17). O ajuste selecionado fica guardado.

GDS 18V-1000 C / GDS 18V-1050 HC:

Também pode pré-selecionar a velocidade de rotação através da aplicação Bosch Toolbox.

O número de rotações necessário depende do material e das condições de trabalho e pode ser determinado por tentativas.

As indicações apresentadas na tabela seguinte são valores recomendados.

	Definição base do número de rotações por nível		
	1	2	3
	[r.p.m.]	[r.p.m.]	[r.p.m.]
Número de níveis de rotação			
3	0–1 100	0–2 300	0–3 400

Com a tecla para a pré-seleção da velocidade de rotação (16) pode pré-selecionar a velocidade de rotação necessária mesmo durante o funcionamento.

Ligar luz de trabalho

GDS 18V-1000 / GDS 18V-1050 H:

Para ligar ou desligar a luz de trabalho (15) prima a tecla da luz de trabalho (13).

- ▶ **Não olhe diretamente para a luz de trabalho, pode ficar encandeado.**

Selecionar o modo de trabalho

GDS 18V-1000 C / GDS 18V-1050 HC:

A ferramenta elétrica dispõe de 2 modos de trabalho **A** e **B** (12). Com a aplicação Bosch Toolbox ainda pode, nos modos de trabalho **A** e **B** (12), programar diferentes aplicações e adaptar os modos existentes.

Para alternar entre o modo de trabalho **A** e **B** (12), prima a tecla (14).

Instruções de trabalho

- ▶ **Utilizar os punhos adicionais fornecidos com a ferramenta elétrica.** A perda de controle sobre a ferramenta elétrica pode levar a lesões.
- ▶ **A ferramenta elétrica com Bluetooth® Low Energy Module GCY 42 colocado (acessório) está equipada com uma interface de comunicações. Devem ser respeitadas as limitações de utilização locais, p. ex. em aviões ou hospitais.**

O binário depende do período de percussão. O máximo binário alcançável resulta da soma de todos binários individuais alcançados por golpes. O binário máximo é alcançado após um período de percussão de 6–10 segundos. Após este período o aumento do binário de aperto é mínimo.

O período de percussão deve ser averiguado para cada binário de aperto necessário. O binário de aperto realmente alcançado deve sempre ser controlado com uma chave dinamométrica.

Aparafusamentos com assento duro, elástico ou macio

Se durante um ensaio forem medidos, em sequência, os binários alcançados e anotados num diagrama, é obtida uma curva do decurso do binário. A altura da curva corresponde ao máximo binário alcançável, a inclinação indica o período no qual é alcançado.

Um decurso de binário depende dos seguintes fatores:

- Rigidez dos parafusos/porcas
- Tipo da base (anilha, mola de disco, vedação)
- Rigidez do material a ser aparafusado
- Condições de lubrificação na união aparafusada

Respetivamente resultam as seguintes aplicações:

- **Assento duro** para aparafusamentos de metal sobre metal, utilizando anilhas. O máximo binário é alcançado após um período de percussão relativamente curto (decurso íngreme da linha de característica). Um período de percussão desnecessária só causa danos na máquina.
- **Assento elástico** para aparafusamentos de metal sobre metal, no entanto utilizando arruelas de pressão, molas de disco, cavilha roscada nas pontas ou parafusos/porcas com assento cónico, assim como ao utilizar extensões.

- **Assento macio** para aparafusamentos de metal sobre madeira, ou ao utilizar discos de chumbo ou de fibra como base.

Para o assento elástico ou para o assento macio o máximo binário de aperto é inferior ao do para o assento duro. Também é necessário um período de percussão bem mais longo.

Valores de referência para binário de aperto máximos de parafusos

Indicações em Nm, calculado a partir do perfil de tensão; desgaste do limite da distância 90 % (com coeficiente de fricção $\mu_{\text{total}} = 0,12$). Como controlo, o binário de aperto deve sempre ser controlado com uma chave dinamométrica.

Classes de resistência conforme DIN 267	Parafusos padrão								Parafusos altamente resistentes		
	3.6	4.6	5.6	4.8	6.6	5.8	6.8	6.9	8.8	10.9	12.9
M10	13	17.5	22	23	26	29	35	39	47	65	78
M12	22.6	30	37.6	40	45	50	60	67	80	113	135
M14	36	48	60	65	72	79	95	107	130	180	215
M16	55	73	92	98	110	122	147	165	196	275	330
M18	75	101	126	135	151	168	202	227	270	380	450
M20	107	143	178	190	214	238	286	320	385	540	635
M22	145	190	240	255	290	320	385	430	510	715	855
M24	185	245	310	325	370	410	490	455	650	910	1100

Recomendações

Antes de atarraxar parafusos, mais longos e maiores, em materiais duros, deveria furar com o diâmetro do núcleo da rosca até aproximadamente 2/3 do comprimento do parafuso.

Nota: Observe que não haja a possibilidade de peças metálicas pequenas penetrarem na ferramenta elétrica.

Após um longo período de tempo a trabalhar com um número de rotações reduzido, deve deixar a ferramenta elétrica a funcionar aprox. 3 minutos com o número de rotações máximo em vazio para a arrefecer.

Indicações sobre o manuseamento ideal da bateria

Proteger a bateria contra humidade e água.

Armazene a bateria apenas na faixa de temperatura de -20 °C a 50 °C. Por exemplo, não deixe a bateria dentro do automóvel no verão.

Um tempo de funcionamento reduzido após o carregamento indica que a bateria está gasta e que deve ser substituído.

Observe as indicações sobre a eliminação de forma ecológica.

Clipe para escadote

Com o clipe para escadote (4) pode suspender a ferramenta elétrica p. ex. num escadote.



O parafuso do clipe para escadote tem de ser apertado com um binário de aperto de 2,0–2,5 Nm.

Comando através da aplicação

GDS 18V-1000 C / GDS 18V-1050 HC:

A ferramenta elétrica pode ser equipada com um módulo *Bluetooth*® que permite, graças à tecnologia sem fio, a transferência de dados para determinados aparelhos terminais móveis com interface *Bluetooth*® (por exemplo, Smartphone, tablet).

Para poder comandar a ferramenta elétrica via *Bluetooth*® necessita da aplicação "Bosch Toolbox". Descarregue a aplicação através de uma App-Store correspondente (Apple App Store, Google Play Store).

Depois seleccione a aplicação no submenu "My Tools". O mostrador do aparelho terminal móvel mostra todos os passos seguintes para a ligação da ferramenta elétrica ao aparelho terminal.

Depois de ter sido estabelecida uma ligação ao aparelho terminal móvel, estão disponíveis as seguintes funções:

- Registo e personalização
- Verificação do estado, emissão de mensagens de aviso
- Informações gerais e ajustes
- Gestão
- Ajuste dos níveis de rotação
- Ajuste dos modos de trabalho

Manutenção e assistência técnica

Manutenção e limpeza

- ▶ **Limpe com regularidade as aberturas de ventilação da sua ferramenta elétrica.** A ventoinha do motor puxa pó para dentro da carcaça, e uma grande quantidade de pó de metal pode causar perigos elétricos.
- ▶ **A bateria deverá ser retirada antes de todos os trabalhos na ferramenta elétrica (p. ex. manutenção, troca de ferramenta etc.) e antes de transportar ou de armazenar a mesma.** Há perigo de ferimentos se o interruptor de ligar/desligar for acionado involuntariamente.
- ▶ **Manter a ferramenta elétrica e as aberturas de ventilação sempre limpas, para trabalhar bem e de forma segura.**

Serviço pós-venda e aconselhamento

O serviço pós-venda responde às suas perguntas a respeito de serviços de reparação e de manutenção do seu produto, assim como das peças sobressalentes. Desenhos explodidos e informações acerca das peças sobressalentes também em:

www.bosch-pt.com

A nossa equipa de consultores Bosch esclarece com prazer todas as suas dúvidas a respeito dos nossos produtos e acessórios.

Indique para todas as questões e encomendas de peças sobressalentes a referência de 10 dígitos de acordo com a placa de características do produto.

Brasil

Robert Bosch Ltda. – Divisão de Ferramentas Eléctricas
Rodovia Anhanguera, Km 98 - Parque Via Norte
13065-900, CP 1195
Campinas, São Paulo
Tel.: 0800 7045 446
www.bosch.com.br/contato

Encontra outros endereços da assistência técnica em:

www.bosch-pt.com/serviceaddresses

Transporte

As baterias de iões de lítio, contidas, estão sujeitas ao direito de materiais perigosos. As baterias podem ser transportadas na rua pelo utilizador, sem mais obrigações.

Na expedição por terceiros (por ex: transporte aéreo ou expedição), devem ser observadas as especiais exigências quanto à embalagem e à designação. Neste caso é necessário consultar um especialista de materiais perigosos ao preparar a peça a ser trabalhada.

Só enviar baterias se a carcaça não estiver danificada. Colar contactos abertos e embalar a bateria de modo que não possa se movimentar dentro da embalagem. Por favor observe também eventuais diretivas nacionais suplementares.

Eliminação



As ferramentas eléctricas, as baterias, os acessórios e as embalagens devem ser enviados a uma reciclagem ecológica de matéria prima.



Não deitar ferramentas eléctricas e baterias/pilhas no lixo doméstico!

Baterias/pilhas:

Lítio:

Observar as indicações no capítulo Transporte (ver "Transporte", Página 31).

Español

Indicaciones de seguridad

Indicaciones generales de seguridad para herramientas eléctricas

⚠ ADVERTENCIA Lea íntegramente las advertencias de peligro, las instrucciones, las ilustraciones y las especificaciones entregadas con esta herramienta eléctrica. En caso de no atenderse a las instrucciones siguientes, ello puede ocasionar una descarga eléctrica, un incendio y/o una lesión grave.

Guardar todas las advertencias de peligro e instrucciones para futuras consultas.

El término "herramienta eléctrica" empleado en las siguientes advertencias de peligro se refiere a herramientas eléctricas de conexión a la red (con cable de red) y a herramientas eléctricas accionadas por acumulador (sin cable de red).

Seguridad del puesto de trabajo

- ▶ **Mantenga el área de trabajo limpia y bien iluminada.** Las áreas desordenadas u oscuras pueden provocar accidentes.
- ▶ **No utilice herramientas eléctricas en un entorno con peligro de explosión, en el que se encuentren combustibles líquidos, gases o material en polvo.** Las herramientas eléctricas producen chispas que pueden llegar a inflamar los materiales en polvo o vapores.
- ▶ **Mantenga alejados a los niños y otras personas de su puesto de trabajo al emplear la herramienta eléctrica.** Una distracción le puede hacer perder el control sobre la herramienta eléctrica.

Seguridad eléctrica

- ▶ **El enchufe de la herramienta eléctrica debe corresponder a la toma de corriente utilizada. No es admisible modificar el enchufe en forma alguna. No emplear adaptadores en herramientas eléctricas dotadas con una toma de tierra.** Los enchufes sin modificar adecuados a las respectivas tomas de corriente reducen el riesgo de una descarga eléctrica.
- ▶ **Evite que su cuerpo toque partes conectadas a tierra como tuberías, radiadores, cocinas y refrigeradores.** El riesgo a quedar expuesto a una sacudida eléctrica es mayor si su cuerpo tiene contacto con tierra.
- ▶ **No exponga la herramienta eléctrica a la lluvia o a condiciones húmedas.** Existe el peligro de recibir una descarga eléctrica si penetran ciertos líquidos en la herramienta eléctrica.
- ▶ **No abuse del cable de red. No utilice el cable de red para transportar o colgar la herramienta eléctrica, ni tire de él para sacar el enchufe de la toma de corriente. Mantenga el cable de red alejado del calor, aceite, esquinas cortantes o piezas móviles.** Los cables de red

dañados o enredados pueden provocar una descarga eléctrica.

- ▶ **Al trabajar con la herramienta eléctrica a la intemperie utilice solamente cables de prolongación apropiados para su uso al aire libre.** La utilización de un cable de prolongación adecuado para su uso en exteriores reduce el riesgo de una descarga eléctrica.
- ▶ **Si fuese imprescindible utilizar la herramienta eléctrica en un entorno húmedo, es necesario conectarla a través de un dispositivo de corriente residual (RCD) de seguridad (fusible diferencial).** La aplicación de un fusible diferencial reduce el riesgo a exponerse a una descarga eléctrica.

Seguridad de personas

- ▶ **Esté atento a lo que hace y emplee sentido común cuando utilice una herramienta eléctrica. No utilice la herramienta eléctrica si estuviese cansado, ni tampoco después de haber consumido drogas, alcohol o medicamentos.** El no estar atento durante el uso de la herramienta eléctrica puede provocar serias lesiones.
- ▶ **Utilice un equipo de protección personal. Utilice siempre una protección para los ojos.** El riesgo a lesionarse se reduce considerablemente si se utiliza un equipo de protección adecuado como una mascarilla antipolvo, zapatos de seguridad con suela antideslizante, casco, o protectores auditivos.
- ▶ **Evite una puesta en marcha involuntaria. Asegurarse de que la herramienta eléctrica esté desconectada antes de conectarla a la toma de corriente y/o al montar el acumulador, al recogerla y al transportarla.** Si transporta la herramienta eléctrica sujetándola por el interruptor de conexión/desconexión, o si alimenta la herramienta eléctrica estando ésta conectada, ello puede dar lugar a un accidente.
- ▶ **Retire las herramientas de ajuste o llaves fijas antes de conectar la herramienta eléctrica.** Una herramienta de ajuste o llave fija colocada en una pieza rotante puede producir lesiones al poner a funcionar la herramienta eléctrica.
- ▶ **Evite posturas arriesgadas. Trabaje sobre una base firme y mantenga el equilibrio en todo momento.** Ello le permitirá controlar mejor la herramienta eléctrica en caso de presentarse una situación inesperada.
- ▶ **Lleve puesta una vestimenta de trabajo adecuada. No utilice vestimenta amplia ni joyas. Mantenga su pelo y vestimenta alejados de las piezas móviles.** La vestimenta suelta, el pelo largo y las joyas se pueden enganchar con las piezas en movimiento.
- ▶ **Si se proporcionan dispositivos para la conexión de las instalaciones de extracción y recogida de polvo, asegúrese que éstos estén conectados y que sean utilizados correctamente.** El empleo de estos equipos reduce los riesgos derivados del polvo.
- ▶ **No permita que la familiaridad ganada por el uso frecuente de herramientas eléctricas lo deje caer en la complacencia e ignore las normas de seguridad de**

herramientas. Una acción negligente puede causar lesiones graves en una fracción de segundo.

Uso y trato cuidadoso de herramientas eléctricas

- ▶ **No sobrecargue la herramienta eléctrica. Utilice la herramienta eléctrica adecuada para su aplicación.** Con la herramienta eléctrica adecuada podrá trabajar mejor y más seguro dentro del margen de potencia indicado.
 - ▶ **No utilice la herramienta eléctrica si el interruptor está defectuoso.** Las herramientas eléctricas que no se puedan conectar o desconectar son peligrosas y deben hacerse reparar.
 - ▶ **Saque el enchufe de la red y/o retire el acumulador desmontable de la herramienta eléctrica, antes de realizar un ajuste, cambiar de accesorio o al guardar la herramienta eléctrica.** Esta medida preventiva reduce el riesgo a conectar accidentalmente la herramienta eléctrica.
 - ▶ **Guarde las herramientas eléctricas fuera del alcance de los niños. No permita la utilización de la herramienta eléctrica a aquellas personas que no estén familiarizadas con su uso o que no hayan leído estas instrucciones.** Las herramientas eléctricas utilizadas por personas inexpertas son peligrosas.
 - ▶ **Cuide las herramientas eléctricas y los accesorios. Controle la alineación de las piezas móviles, rotura de piezas y cualquier otra condición que pudiera afectar el funcionamiento de la herramienta eléctrica.** En caso de daño, la herramienta eléctrica debe repararse antes de su uso. Muchos de los accidentes se deben a herramientas eléctricas con un mantenimiento deficiente.
 - ▶ **Mantenga los útiles limpios y afilados.** Los útiles mantenidos correctamente se dejan guiar y controlar mejor.
 - ▶ **Utilice la herramienta eléctrica, los accesorios, los útiles, etc. de acuerdo a estas instrucciones, considerando en ello las condiciones de trabajo y la tarea a realizar.** El uso de herramientas eléctricas para trabajos diferentes de aquellos para los que han sido concebidas puede resultar peligroso.
 - ▶ **Mantenga las empuñaduras y las superficies de las empuñaduras secas, limpias y libres de aceite y grasa.** Las empuñaduras y las superficies de las empuñaduras resbaladizas no permiten un manejo y control seguro de la herramienta eléctrica en situaciones imprevistas.
- #### Trato y uso cuidadoso de herramientas accionadas por acumulador
- ▶ **Solamente recargar los acumuladores con los cargadores especificados por el fabricante.** Existe un riesgo de incendio al intentar cargar acumuladores de un tipo diferente al previsto para el cargador.
 - ▶ **Utilice las herramientas eléctricas sólo con los acumuladores específicamente designados.** El uso de otro tipo de acumuladores puede provocar daños e incluso un incendio.
 - ▶ **Si no utiliza el acumulador, guárdelo separado de objetos metálicos, como clips de papel, monedas, llaves, clavos, tornillos u otros objetos metálicos pequeños**

que pudieran puentear sus contactos. El cortocircuito de los contactos del acumulador puede causar quemaduras o un incendio.

- ▶ **La utilización inadecuada del acumulador puede provocar fugas de líquido. Evite el contacto con él. En caso de un contacto accidental, enjuague el área afectada con abundante agua. En caso de un contacto con los ojos, recurra además inmediatamente a ayuda médica.** El líquido del acumulador puede irritar la piel o producir quemaduras.
- ▶ **No emplee acumuladores o útiles dañados o modificados.** Los acumuladores dañados o modificados pueden comportarse en forma imprevisible y producir un fuego, explosión o peligro de lesión.
- ▶ **No exponga un paquete de baterías o una herramienta eléctrica al fuego o a una temperatura demasiado alta.** La exposición al fuego o a temperaturas sobre 130 °C puede causar una explosión.
- ▶ **Siga todas las instrucciones para la carga y no cargue nunca el acumulador o la herramienta eléctrica a una temperatura fuera del margen correspondiente especificado en las instrucciones.** Una carga inadecuada o a temperaturas fuera del margen especificado puede dañar el acumulador y aumentar el riesgo de incendio.

Servicio

- ▶ **Únicamente deje reparar su herramienta eléctrica por un experto cualificado, empleando exclusivamente piezas de repuesto originales.** Solamente así se mantiene la seguridad de la herramienta eléctrica.
- ▶ **No repare los acumuladores dañados.** El entrenamiento de los acumuladores sólo debe ser realizado por el fabricante o un servicio técnico autorizado.

Instrucciones de seguridad para atornilladoras de impacto

- ▶ **Sujete la herramienta eléctrica por las superficies de agarre aisladas, al realizar trabajos en los que el porta-útiles pueda llegar a tocar conductores eléctricos ocultos.** En el caso del contacto del porta-útiles con conductores "bajo tensión", las partes metálicas expuestas de la herramienta eléctrica pueden quedar "bajo tensión" y dar al operador una descarga eléctrica.
- ▶ **Utilice unos aparatos de exploración adecuados para detectar conductores o tuberías ocultas, o consulte a sus compañías abastecedoras.** El contacto con conductores eléctricos puede provocar un incendio o una electrocución. Al dañar una tubería de gas puede producirse una explosión. La perforación de una tubería de agua puede causar daños materiales.
- ▶ **Sostenga firmemente la herramienta eléctrica.** Al apretar y aflojar tornillos, pueden presentarse pares de reacción momentáneos.
- ▶ **Asegure la pieza de trabajo.** Una pieza de trabajo fijada con unos dispositivos de sujeción, o en un tornillo de banco, se mantiene sujeta de forma mucho más segura que con la mano.

- ▶ **Espere a que se haya detenido la herramienta eléctrica antes de depositarla.** El útil puede engancharse y hacerle perder el control sobre la herramienta eléctrica.
- ▶ **En caso de daño y uso inapropiado del acumulador pueden emanar vapores. El acumulador se puede quemar o explotar.** En tal caso, busque un entorno con aire fresco y acuda a un médico si nota molestias. Los vapores pueden llegar a irritar las vías respiratorias.
- ▶ **No intente abrir el acumulador.** Podría provocar un cortocircuito.
- ▶ **Mediante objetos puntiagudos, como p. ej. clavos o destornilladores, o por influjo de fuerza exterior se puede dañar el acumulador.** Se puede generar un cortocircuito interno y el acumulador puede arder, humear, explotar o sobrecalentarse.
- ▶ **Utilice el acumulador únicamente en productos del fabricante.** Solamente así queda protegido el acumulador contra una sobrecarga peligrosa.



Proteja la batería del calor excesivo, además de, p. ej., una exposición prolongada al sol, la suciedad, el fuego, el agua o la humedad. Existe riesgo de explosión y cortocircuito.



- ▶ **¡Los útiles se pueden calentar durante el trabajo! Existe peligro de quemaduras al cambiar el útil.** Utilice guantes de protección para retirar el útil.
- ▶ **¡Cuidado! El uso de la herramienta eléctrica con Bluetooth® puede provocar anomalías en otros aparatos y equipos, en aviones y en aparatos médicos (p. ej. marcapasos, audífonos, etc.). Tampoco puede descartarse por completo el riesgo de daños en personas y animales que se encuentren en un perímetro cercano. No utilice la herramienta eléctrica con Bluetooth® cerca de aparatos médicos, gasolineras, instalaciones químicas, zonas con riesgo de explosión ni en zonas con atmósfera potencialmente explosiva. No utilice tampoco la herramienta eléctrica con Bluetooth® a bordo de aviones. Evite el uso prolongado de este aparato en contacto directo con el cuerpo.**

La marca de palabra *Bluetooth®* como también los símbolos (logotipos) son marcas registradas y propiedad de Bluetooth SIG, Inc. Cada utilización de esta marca de palabra/símbolo por Robert Bosch Power Tools GmbH tiene lugar bajo licencia.

Descripción del producto y servicio



Lea íntegramente estas indicaciones de seguridad e instrucciones. Las faltas de observación de las indicaciones de seguridad y de las instrucciones pueden causar descargas eléctricas, incendios y/o lesiones graves.

Por favor, observe las ilustraciones en la parte inicial de las instrucciones de servicio.

Utilización reglamentaria

La herramienta eléctrica ha sido diseñada para enroscar y aflojar tornillos, y para apretar y aflojar tuercas del tamaño especificado.

Los datos y las configuraciones de la herramienta eléctrica se pueden transmitir con el módulo *Bluetooth*® Low Energy Module **GCY 42** colocado, mediante la tecnología de radio-comunicación *Bluetooth*®, entre la herramienta eléctrica y un aparato móvil final.

Componentes representados

La numeración de los componentes está referida a la imagen de la herramienta eléctrica en la página ilustrada.

- (1) Alojamiento del útil
- (2) Selector de sentido de giro
- (3) Cubierta del módulo Bluetooth® Low Energy Module **GCY 42**
- (4) Clip de escalera
- (5) Acumulador^{a)}
- (6) Tecla de desenclavamiento del acumulador^{a)}

- (7) Interfaz de usuario
- (8) Interruptor de conexión/desconexión
- (9) Empuñadura (zona de agarre aislada)
- (10) Útil de inserción (p. ej. llave tubular^{a)})

Interfaz de usuario

- (11) Indicador del estado de la herramienta eléctrica
- (12) Indicador del modo
- (13) Tecla de luz de trabajo
(**GDS 18V-1000**, **GDS 18V-1050 H**)
- (14) Tecla de modo
(**GDS 18V-1000 C**, **GDS 18V-1050 HC**)
- (15) Luz de trabajo
- (16) Tecla de preselección de revoluciones
- (17) Indicador de escalón de preselección de revoluciones

a) Los accesorios descritos e ilustrados no corresponden al material que se adjunta de serie. La gama completa de accesorios opcionales se detalla en nuestro programa de accesorios.

Datos técnicos

Atornilladora de impacto accionada por acumulador		GDS 18V-1000	GDS 18V-1050 H	GDS 18V-1000 C	GDS 18V-1050 HC
Número de artículo		3 601 JJ8 3..	3 601 JJ8 5..	3 601 JJ8 0..	3 601 JJ8 2..
Tensión nominal	V=	18	18	18	18
Número de revoluciones en vacío ^{A)}					
- Ajuste 1	min ⁻¹	0-800	0-800	0-800	0-800
- Ajuste 2	min ⁻¹	0-1.200	0-1.200	0-1300	0-1300
- Ajuste 3	min ⁻¹	0-1 750	0-1 750	0-1 750	0-1 750
Número de impactos ^{A)}					
- Ajuste 1	min ⁻¹	0-1 600	0-1 600	0-1 600	0-1 600
- Ajuste 2	min ⁻¹	0-2400	0-2400	0-2300	0-2300
- Ajuste 3	min ⁻¹	0-2.600	0-2.600	0-2.600	0-2.600
Par de apriete ^{A)}					
- Ajuste 1	Nm	0-350	0-350	0-350	0-350
- Ajuste 2	Nm	0-700	0-750	0-650	0-650
- Ajuste 3	Nm	0-1 000	0-1 050	0-1 000	0-1 050
Máx. par de apriete ^{A)}	Nm	1000	1 050	1000	1 050
Máx. par de soldado ^{A)}	Nm	1 600	1 700	1 600	1 700
Ø de tornillos de máquina	mm	M14-M24	M14-M24	M14-M24	M14-M24
Portaherramientas		■ ½"	■ ¾"	■ ½"	■ ¾"
Peso según EPTA-Procedure 01:2014 ^{B)}	kg	3,3-4,4	3,3-4,4	3,3-4,4	3,3-4,4
Temperatura ambiente recomendada durante la carga	°C	0 ... +35	0 ... +35	0 ... +35	0 ... +35
Temperatura ambiente permitida durante el funcionamiento y en el almacenamiento	°C	-20 ... +50	-20 ... +50	-20 ... +50	-20 ... +50

Atornilladora de impacto accionada por acumulador		GDS 18V-1000	GDS 18V-1050 H	GDS 18V-1000 C	GDS 18V-1050 HC
Acumuladores compatibles		GBA 18V... ProCORE18V...	GBA 18V... ProCORE18V...	GBA 18V... ProCORE18V...	GBA 18V... ProCORE18V...
Acumuladores recomendados para plena potencia		ProCORE18V... ≥ 5,5 Ah	ProCORE18V... ≥ 5,5 Ah	ProCORE18V... ≥ 5,5 Ah	ProCORE18V... ≥ 5,5 Ah
Cargadores recomendados		GAL 18... GAX 18... GAL 36...	GAL 18... GAX 18... GAL 36...	GAL 18... GAX 18... GAL 36...	GAL 18... GAX 18... GAL 36...
Transmisión de datos					
Bluetooth® ^{C)}		–	–	Bluetooth® 4.1 (Low Energy)	Bluetooth® 4.1 (Low Energy)
Distancia de señal	s	–	–	8	8
Máx. alcance de señal ^{D)}	m	–	–	30	30

A) Medido a 20–25 °C con acumulador **ProCORE18V 8.0Ah**

B) Medido con **GBA 18V 1.5Ah** y **GBA 18V 12Ah**

C) Los aparatos finales móviles deben ser compatibles con aparatos Bluetooth®-Low-Energy (versión 4.1) y asistir el Generic Access Profile (GAP).

D) El alcance puede variar fuertemente según las condiciones exteriores, inclusive el receptor utilizado. En el interior de espacios cerrados y por barreras metálicas (p. ej. paredes, estanterías, maletas, etc.), el alcance de Bluetooth® puede ser notoriamente menor.

Informaciones sobre ruidos/vibraciones

		GDS 18V-1000	GDS 18V-1050 H	GDS 18V-1000 C	GDS 18V-1050 HC
Valores de emisión de ruidos determinados según EN 62841-2-2 .					
El nivel de ruido valorado con A de la herramienta eléctrica asciende típicamente a					
Nivel de presión sonora	dB(A)	91	95	95	95
Nivel de potencia acústica	dB(A)	102	106	106	106
Inseguridad K	dB	3	3	3	3
¡Utilice protección para los oídos!					
Valores totales de vibraciones a_h (suma de vectores de tres direcciones) e inseguridad K determinados según EN 62841-2-2 :					
Apriete de tornillos y tuercas del tamaño máximo admisible					
a_h	m/s ²	12	13	13,5	13,5
K	m/s ²	1,5	1,5	1,5	1,5

El nivel de vibraciones y el valor de emisiones de ruidos indicados en estas instrucciones han sido determinados según un procedimiento de medición normalizado y pueden servir como base de comparación con otras herramientas eléctricas. También son adecuados para estimar provisionalmente la emisión de vibraciones y ruidos.

El nivel de vibraciones y el valor de emisiones de ruidos indicados han sido determinados para las aplicaciones principales de la herramienta eléctrica. Por ello, el nivel de vibraciones y el valor de emisiones de ruidos pueden ser diferentes si la herramienta eléctrica se utiliza para otras aplicaciones, con útiles diferentes, o si el mantenimiento de la misma fuese deficiente. Ello puede suponer un aumento drástico de la emisión de vibraciones y de ruidos durante el tiempo total de trabajo.

Para determinar con exactitud las emisiones de vibraciones y de ruidos, es necesario considerar también aquellos tiem-

pos en los que el aparato esté desconectado, o bien, esté en funcionamiento, pero sin ser utilizado realmente. Ello puede suponer una disminución drástica de las emisiones de vibraciones y de ruidos durante el tiempo total de trabajo.

Fije unas medidas de seguridad adicionales para proteger al usuario de los efectos por vibraciones, como por ejemplo: Mantenimiento de la herramienta eléctrica y de los útiles, conservar calientes las manos, organización de las secuencias de trabajo.

Montaje

- **Desmonte el acumulador antes de manipular la herramienta eléctrica (p. ej. en el mantenimiento, cambio de útil, etc.) así como al transportarla y guardarla.** En caso contrario podría accidentarse al accionar fortuitamente el interruptor de conexión/desconexión.

Carga del acumulador

- **Utilice únicamente los cargadores que se enumeran en los datos técnicos.** Solamente estos cargadores han sido especialmente adaptados a los acumuladores de iones de litio empleados en su herramienta eléctrica.

Indicación: El acumulador se suministra parcialmente cargado. Con el fin de obtener la plena potencia del acumulador, antes de su primer uso, cárguelo completamente en el cargador.

El acumulador de iones de litio puede recargarse siempre que se quiera, sin que ello merme su vida útil. Una interrupción del proceso de carga no afecta al acumulador.

El acumulador de iones de litio está protegido contra descarga total gracias al sistema de protección electrónica de células "Electronic Cell Protection (ECP)". Si el acumulador está descargado, un circuito de protección se encarga de desconectar la herramienta eléctrica. El útil deja de moverse.

- **En caso de una desconexión automática de la herramienta eléctrica no mantenga accionado el interruptor de conexión/desconexión.** El acumulador podría dañarse.

Observe las indicaciones referentes a la eliminación.


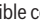
Desmontaje del acumulador

El acumulador (5) dispone de dos etapas de desenclavamiento para evitar que éste se salga en el caso de un accionamiento accidental la tecla de desenclavamiento (6). Al estar montado el acumulador en la herramienta eléctrica, éste es retenido en esa posición por un resorte.

Para la extracción del acumulador (5), presione la tecla de desenclavamiento (6) y retire el acumulador de la herramienta eléctrica. **No proceda con brusquedad.**

Indicador del estado de carga del acumulador

Los LEDs verdes del indicador del estado de carga del acumulador indican el estado de carga del acumulador. Por motivos de seguridad, la consulta del estado de carga es solo posible con la herramienta eléctrica parada.

Presione la tecla del indicador de estado de carga  o , para indicar el estado de carga. Esto también es posible con el acumulador desmontado.

Si tras presionar la tecla del indicador de estado de carga no se enciende ningún LED, significa que el acumulador está defectuoso y debe sustituirse.

Tipo de acumulador GBA 18V...



LEDs	Capacidad
Luz permanente 3× verde	60–100 %
Luz permanente 2× verde	30–60 %
Luz permanente 1× verde	5–30 %
Luz intermitente 1× verde	0–5 %

Tipo de acumulador ProCORE18V...



LEDs	Capacidad
Luz permanente 5× verde	80–100 %
Luz permanente 4× verde	60–80 %
Luz permanente 3× verde	40–60 %
Luz permanente 2× verde	20–40 %
Luz permanente 1× verde	5–20 %
Luz intermitente 1× verde	0–5 %

Colocar el módulo Bluetooth® Low Energy Module GCY 42 (accesorio)

Lea las correspondientes instrucciones de servicio respecto a las informaciones del módulo Bluetooth® Low Energy Module GCY 42.

Cambio de útil (ver figuras A–B)

- **Desmonte el acumulador antes de manipular la herramienta eléctrica (p. ej. en el mantenimiento, cambio de útil, etc.) así como al transportarla y guardarla.** En caso contrario podría accidentarse al accionar fortuitamente el interruptor de conexión/desconexión.

- **Al montar el útil preste atención a que éste quede sujeto de forma segura en el portaútiles.** Si el útil no va sujeto de forma segura en el portaútiles puede llegar a salirse del mismo durante el proceso de atornillado.

Desplace el útil (10) sobre el cuadrado del portaútiles (1).

Operación

Modo de funcionamiento

El portaherramientas (1) con el útil es accionado por un motor eléctrico a través de un engranaje y un mecanismo percutor.

El proceso de trabajo comprende dos fases:

atornillar y apretar (mecanismo percutor en acción).

El mecanismo percutor se activa en el momento de presentarse un par opONENTE en la unión atornillada con la consecuente solicitud del motor. El mecanismo percutor transforma entonces el par del motor en impactos rotativos uniformes. Al aflojar tornillos o tuercas se invierte este proceso.

Puesta en marcha

- **Siempre deposite la herramienta eléctrica de lado y no la coloque sobre el acumulador.** Es posible que la herramienta eléctrica se vuelque según el útil y el acumulador utilizado.

Montaje del acumulador

Indicación: La utilización de acumuladores no adecuados para su herramienta eléctrica puede causar un funcionamiento anómalo o un daño a la herramienta eléctrica.

Introduzca el acumulador **(5)** cargado en el pie de la herramienta eléctrica, hasta que el acumulador esté bloqueado de forma segura.

Ajustar el sentido de giro (ver figura E)

Con el selector de sentido de giro **(2)** puede modificar el sentido de giro de la herramienta eléctrica. Sin embargo, esto no es posible con el interruptor de conexión/desconexión **(8)** presionado.

Giro a la derecha: Para enroscar tornillos y apretar tuercas presione el selector de sentido de giro **(2)** hacia la izquierda, hasta el tope.

Giro a la izquierda: Para soltar o desenroscar tornillos y tuercas presione el selector de sentido de giro **(2)** hacia la derecha, hasta el tope.

Ajuste de las revoluciones/frecuencia de percusión

Puede regular en forma continua el número de revoluciones/la frecuencia de percusión de la herramienta eléctrica conectada, según la presión ejercida sobre el interruptor de conexión/desconexión **(8)**.

Una ligera presión en el interruptor de conexión/desconexión **(8)** causa bajo número de revoluciones/frecuencia de percusión. Aumentando paulatinamente la presión se van aumentando en igual medida el número de revoluciones/la frecuencia de percusión.

Conexión/desconexión

Para la **puesta en marcha** de la herramienta eléctrica, accionar y mantener en esa posición el interruptor de conexión/desconexión **(8)**.

La luz de trabajo **(15)** se enciende con el interruptor de conexión/desconexión **(8)** leve o totalmente oprimido y posibilita la iluminación de la zona de trabajo con condiciones de luz desfavorables.

Para **desconectar** la herramienta eléctrica, suelte el interruptor de conexión/desconexión **(8)**.

Interfaz del usuario (ver figuras D-E)

GDS 18V-1000 C / GDS 18V-1050 HC:

La interfaz de usuario **(7)** sirve para la preselección de revoluciones y del modo de trabajo así como para la indicación del estado de la herramienta eléctrica.

Indicadores de estado

Indicador de estado de herramienta eléctrica (11)	Significado/causa	Solución
Verde	Estado OK	–
Amarillo	Se ha alcanzado la temperatura crítica o el acumulador está casi vacío	La herramienta eléctrica se debe dejar funcionar al ralentí y dejar enfriar o sustituir respectivamente cargar pronto el acumulador
Rojo encendido	La herramienta eléctrica está sobrecalentada o el acumulador está vacío	Dejar enfriar la herramienta eléctrica o sustituir respectivamente cargar el acumulador
Luz intermitente azul	La herramienta eléctrica está conectada con el aparato final portátil o la configuración se está transmitiendo	–

Preselección de revoluciones

Con la tecla para la preselección de revoluciones **(16)** puede preseleccionar el número de revoluciones necesario en 3 escalones. Presione la tecla **(16)** las veces necesarias, hasta que se indique el ajuste deseado en el indicador de número de revoluciones **(17)**. El ajuste seleccionado se memoriza.

GDS 18V-1000 C / GDS 18V-1050 HC:

También puede preseleccionar las revoluciones a través de la aplicación Bosch Toolbox.

El número de revoluciones necesario depende del material y las condiciones de trabajo, y se puede determinar por medio de un ensayo práctico.

Los valores indicados en la siguiente tabla son solamente valores de orientación.

Cantidad de escalones de número de revoluciones	Ajuste básico de número de revoluciones con escalón		
	1	2	3
	[min ⁻¹]	[min ⁻¹]	[min ⁻¹]
3	0–1100	0–2300	0–3400

Con la tecla para la preselección de revoluciones **(16)** puede preseleccionar el número de revoluciones necesario también durante el servicio.

Conexión de la luz de trabajo

GDS 18V-1000 / GDS 18V-1050 H:

Para conectar o desconectar la luz de trabajo **(15)** presione la tecla de la luz de trabajo **(13)**.

► **No mire directamente hacia la luz de trabajo, ya que ello puede deslumbrarle.**

Seleccionar el modo de trabajo

GDS 18V-1000 C / GDS 18V-1050 HC:

La herramienta eléctrica dispone de 2 modos de trabajo **A** y **B (12)** predefinidos. También puede utilizar la aplicación Bosch Toolbox bajo **A** y **B (12)** para programar modos de trabajo para diferentes aplicaciones y adaptar los modos existentes.

Para cambiar entre los modos de trabajo **A** y **B (12)**, presione la tecla **(14)**.

Instrucciones para la operación

► **Solamente aplique la herramienta eléctrica desconectada contra la tuerca o tornillo.** Los útiles en rotación pueden resbalar.

► **La herramienta eléctrica con el módulo Bluetooth® Low Energy Module GCY 42 montado (accesorio), está equipado con una radiointerfaz. Observar las limitaciones locales de servicio, p. ej. en aviones o hospitales.**

El par de giro resultante depende del tiempo de actuación de los impactos. El par de giro máximo obtenido resulta de la acumulación de todos los pares de giro individuales conseguidos en cada impacto. El máximo par de apriete se alcanza tras un tiempo de impacto de 6–10 segundos. Después de este tiempo el par de apriete solamente aumenta levemente. El tiempo de impacto deberá determinarse probando para cada par de apriete precisado. El par de apriete obtenido deberá comprobarse siempre con una llave dinamométrica.

Uniones atornillada con asiento duro, elástico o blando

Al medirse y registrarse en una gráfica los pares de apriete obtenidos en función del número de impactos, se obtiene la curva del transcurso del par. El punto de máxima amplitud en la curva indica el par máximo obtenible, y la pendiente de la misma, el tiempo precisado para ello.

La evolución de la curva del par depende de los siguientes factores:

- Resistencia de los tornillos/tuercas
- Tipo del elemento de asiento (arandela, resorte de disco, junta)
- Resistencia del material a atornillar
- Condiciones de lubricación de la unión atornillada

De ello resultan los siguientes tipos de asiento:

- **Asiento rígido**, se obtiene al atornillar metal con metal en combinación con arandelas planas. Tras un tiempo de impacto relativamente corto se alcanza el par de giro máximo (pendiente alta). Un tiempo de impacto excesivo no incrementa el par y perjudica a la máquina.
- **Asiento elástico**, se obtiene al atornillar metal con metal empleando anillos elásticos, arandelas cónicas, espárragos o tornillos/tuercas de asiento cónico, y al utilizar prolongadores del útil.
- **Asiento blando**, se obtiene al atornillar, p. ej., metal con madera, o al utilizar arandelas de plomo o fibra como base de asiento.

El par de apriete máximo obtenible en asientos elásticos o blandos es inferior a aquel que puede conseguirse en asientos rígidos. Asimismo se requiere un intervalo de impacto bastante mayor.

Valores de orientación para máximos pares de apriete de tornillos

Valores indicados en Nm, calculados con la sección en tensión aprovechando el límite de elasticidad hasta el 90 % (con coeficiente de fricción $\mu_{\text{rot}} = 0,12$). El par de apriete obtenido deberá comprobarse siempre con una llave dinamométrica.

Clases de resistencia según DIN 267	Tornillos estándar								Tornillos de alta resistencia		
	3.6	4.6	5.6	4.8	6.6	5.8	6.8	6.9	8.8	10.9	12.9
M10	13	17.5	22	23	26	29	35	39	47	65	78
M12	22.6	30	37.6	40	45	50	60	67	80	113	135
M14	36	48	60	65	72	79	95	107	130	180	215
M16	55	73	92	98	110	122	147	165	196	275	330
M18	75	101	126	135	151	168	202	227	270	380	450
M20	107	143	178	190	214	238	286	320	385	540	635
M22	145	190	240	255	290	320	385	430	510	715	855
M24	185	245	310	325	370	410	490	455	650	910	1100

Consejos prácticos

Antes de enroscar tornillos grandes y largos en materiales duros deberá taladrarse un agujero con el diámetro del núcleo de la rosca a una profundidad aprox. correspondiente a 2/3 de la longitud del tornillo.

Indicación: Preste atención a que no penetren piezas pequeñas metálicas en la herramienta eléctrica.

Tras un trabajo prolongado con pequeño número de revoluciones, debería dejar funcionar herramienta eléctrica durante aprox. 3 minuto con máximo número de revoluciones en vacío para el enfriamiento.

Indicaciones para el trato óptimo del acumulador

Proteja el acumulador ante humedad y agua.

Únicamente almacene el acumulador en el margen de temperatura desde –20 °C hasta 50 °C. P. ej., no deje el acumulador en el coche en verano.

Si después de una recarga, el tiempo de funcionamiento del acumulador fuese muy reducido, ello es señal de que éste está agotado y deberá sustituirse.

Observe las indicaciones referentes a la eliminación.

Clip de escalera

El clip de escalera (4) le permite enganchar la herramienta eléctrica, p. ej., en una escalera.



El tornillo del clip de escalera se debe apretar firmemente con un par de apriete de aprox. 2,0–2,5 Nm.

Control vía App

GDS 18V-1000 C / GDS 18V-1050 HC:

La herramienta de medición se puede equipar con un módulo Bluetooth®, que permite la transmisión de datos mediante radiocomunicación a determinados aparatos finales móviles con interfaz Bluetooth® (p. ej. teléfono inteligente, tablet).

Para poder controlar la herramienta eléctrica vía Bluetooth®, necesita la aplicación Bosch (App) "Bosch Toolbox". Descargue la App a través de un correspondiente App-Store (Apple App Store, Google Play Store).

A continuación, seleccione en la aplicación (App) el subapartado "My Tools". El display de su aparato final móvil indica todos los pasos siguientes para la conexión de la herramienta eléctrica con el aparato final.

Una vez establecida una conexión con el aparato final móvil, están disponibles las siguientes funciones:

- Registro y personalización
- Comprobación de estado, emisión de mensaje de advertencia
- Informaciones generales y configuraciones
- Administración
- Ajuste de los escalones de número de revoluciones
- Ajuste del modo de trabajo

Mantenimiento y servicio

Mantenimiento y limpieza

- ▶ **Limpie regularmente las ranuras de ventilación de su herramienta eléctrica.** El ventilador del motor aspira polvo hacia el interior de la carcasa, por lo que, en caso de una acumulación fuerte de polvo metálico, ello puede provocarle una descarga eléctrica.
- ▶ **Desmante el acumulador antes de manipular la herramienta eléctrica (p. ej. en el mantenimiento, cambio de útil, etc.) así como al transportarla y guardarla.** En caso contrario podría accidentarse al accionar fortuitamente el interruptor de conexión/desconexión.
- ▶ **Mantenga limpia la herramienta eléctrica y las rejillas de refrigeración para trabajar con eficacia y seguridad.**

Servicio técnico y atención al cliente

El servicio técnico le asesorará en las consultas que pueda Ud. tener sobre la reparación y mantenimiento de su produc-

to, así como sobre piezas de recambio. Las representaciones gráficas tridimensionales e informaciones de repuestos se encuentran también bajo: www.bosch-pt.com

El equipo asesor de aplicaciones de Bosch le ayuda gustosamente en caso de preguntas sobre nuestros productos y sus accesorios.

Para cualquier consulta o pedido de piezas de repuesto es imprescindible indicar el nº de artículo de 10 dígitos que figura en la placa de características del producto.

México

Robert Bosch S. de R.L. de C.V.

Calle Robert Bosch No. 405

C.P. 50071 Zona Industrial, Toluca - Estado de México

Tel.: (52) 55 528430-62

Tel.: 800 627 1286

www.bosch-herramientas.com.mx

Direcciones de servicio adicionales se encuentran bajo:

www.bosch-pt.com/serviceaddresses

Transporte

Los acumuladores de iones de litio incorporados están sujetos a los requerimientos estipulados en la legislación sobre mercancías peligrosas. Los acumuladores pueden ser transportados por carretera por el usuario sin más imposiciones. En el envío por terceros (p.ej., transporte aéreo o por agencia de transportes) deberán considerarse las exigencias especiales en cuanto a su embalaje e identificación. En este caso deberá recurrirse a los servicios de un experto en mercancías peligrosas al preparar la pieza para su envío.

Únicamente envíe acumuladores si su carcasa no está dañada. Si los contactos no van protegidos cúbralos con cinta adhesiva y embale el acumulador de manera que éste no se pueda mover dentro del embalaje. Observe también las prescripciones adicionales que pudieran existir al respecto en su país.

Eliminación



Las herramientas eléctricas, acumuladores, accesorios y embalajes deberán someterse a un proceso de recuperación que respete el medio ambiente.



¡No arroje las herramientas eléctricas, acumuladores o pilas a la basura!

Acumuladores/pilas: Iones de Litio:

Por favor, observe las indicaciones en el apartado Transporte (ver "Transporte", Página 39).



El símbolo es solamente válido, si también se encuentra sobre la placa de características del producto/fabricado.

Português do Brasil

Indicações de segurança

Instruções gerais de segurança para ferramentas elétricas

AVISO

Leia todas as indicações de segurança, instruções, ilustrações

e especificações fornecidas com esta ferramenta elétrica. O desrespeito das instruções apresentadas abaixo poderá resultar em choque elétrico, incêndio e/ou ferimentos graves.

Guarde todas as advertências e instruções para futura referência.

O termo "ferramenta elétrica" em todos os avisos listados abaixo referem-se a ferramenta alimentada através de seu cordão de alimentação ou a ferramenta operada a bateria (sem cordão).

Segurança da área de trabalho

- ▶ **Mantenha a área de trabalho limpa e bem iluminada.** As áreas de trabalho desarrumadas ou escuras podem levar a acidentes.
- ▶ **Não opere as ferramentas elétricas em atmosferas explosivas, ou seja, na presença de líquidos, gases ou pó inflamáveis.** As ferramentas criam faíscas que podem inflamar a poeira ou os vapores.
- ▶ **Mantenha as crianças e outras pessoas afastadas da ferramenta elétrica durante o uso.** As distrações podem resultar na perda do controle.

Segurança elétrica

- ▶ **Os plugues da ferramenta devem ser compatíveis com as tomadas. Nunca modifique o plugue. Não use plugues de adaptador com ferramentas aterradas.** Os plugues sem modificações aliados a utilização de tomadas compatíveis reduzem o risco de choque elétrico.
- ▶ **Evite o contato do corpo com superfícies aterradas, como tubos, aquecedores, fogões e geladeiras.** Há um risco elevado de choque elétrico se seu corpo estiver aterrado.
- ▶ **Mantenha as ferramentas elétricas afastadas da chuva ou umidade.** A entrada de água em uma ferramenta elétrica aumenta o risco de choque elétrico.
- ▶ **Não use o cabo para outras finalidades. Jamais use o cabo para transportar, puxar ou desconectar a ferramenta elétrica. Mantenha o cabo afastado do calor, do óleo, de arestas afiadas ou de partes móveis.** Os cabos danificados ou emaranhados aumentam o risco de um choque elétrico.
- ▶ **Ao operar uma ferramenta elétrica ao ar livre, use um cabo de extensão adequado para áreas exteriores.** O uso de um cabo de extensão apropriado para áreas exteriores reduz o risco de choque elétrico.
- ▶ **Se não for possível evitar o funcionamento da ferramenta elétrica em áreas úmidas, utilizar uma**

alimentação protegida por um dispositivo de corrente diferencial residual (DR). O uso de um DR reduz o risco de um choque elétrico.

Segurança pessoal

- ▶ **Fique atento, olhe o que está fazendo e use o bom senso ao operar uma ferramenta. Não use uma ferramenta elétrica quando estiver cansado ou sob a influência de drogas, álcool ou medicamentos.** Um momento de desatenção enquanto opera uma ferramenta pode resultar em graves ferimento pessoal.
 - ▶ **Use equipamento de proteção individual. Use sempre óculos de proteção.** O uso de equipamento de proteção individual, como máscara de proteção contra poeira, sapatos de segurança antiderrapantes, capacete de segurança ou proteção auricular, usado nas condições adequadas irá reduzir o risco de ferimentos pessoais.
 - ▶ **Evite a partida não intencional. Assegure-se de que o interruptor está na posição de desligado antes de conectar o plugue na tomada e/ou bateria, pegar ou carregar a ferramenta.** Carregar as ferramentas com o seu dedo no interruptor ou conectar as ferramentas que apresentam interruptor na posição "ligado", são convites a acidentes.
 - ▶ **Remova qualquer ferramenta ou chave de ajuste antes de ligar a ferramenta elétrica.** Uma ferramenta ou chave ainda ligada a uma parte rotativa da ferramenta elétrica pode resultar em ferimentos pessoais.
 - ▶ **Evite uma posição anormal. Mantenha uma posição firme e mantenha sempre o equilíbrio.** Desta forma é mais fácil controlar a ferramenta elétrica em situações inesperadas.
 - ▶ **Use vestuário apropriado. Não use roupa larga nem joias. Mantenha seus cabelos e roupas afastados de partes móveis.** As roupas largas, joias ou cabelos longos podem ser agarrados por partes móveis.
 - ▶ **Se for possível montar dispositivos de aspiração ou de coleta, assegure-se de que são conectados e usados corretamente.** O uso de um dispositivo de coleta de poeira pode reduzir os riscos associados a poeiras.
 - ▶ **Não deixe que a familiaridade resultante do uso frequente de ferramentas permita que você se torne complacente e ignore os princípios de segurança da ferramenta.** Uma ação descuidada pode causar ferimentos graves numa fração de segundo.
- #### Uso e manuseio cuidadoso da ferramenta elétrica
- ▶ **Não sobrecarregue a ferramenta elétrica. Use a ferramenta elétrica correta para a sua aplicação.** É melhor e mais seguro trabalhar com a ferramenta elétrica apropriada na área de potência para a qual foi projetada.
 - ▶ **Não use a ferramenta elétrica se o interruptor estiver defeituoso.** Qualquer ferramenta elétrica que não pode mais ser controlada com o interruptor é perigosa e deve ser reparada.
 - ▶ **Desconecte o plugue da alimentação e/ou remova a bateria, se removível, da ferramenta elétrica antes de efetuar ajustes, trocar acessórios ou guardar as**

ferramentas elétricas. Tais medidas de segurança preventivas reduzem o risco de se ligar a ferramenta acidentalmente.

- ▶ **Guarde as ferramentas elétricas não utilizadas fora do alcance das crianças e não permita que as pessoas que não estejam familiarizadas com a ferramenta elétrica ou com essas instruções usem a ferramenta elétrica.** As ferramentas elétricas são perigosas nas mãos de usuários não treinados.
- ▶ **Trate as ferramentas elétricas e acessórios com cuidado. Cheque o desalinhamento ou coesão das partes móveis, rachaduras e qualquer outra condição que possa afetar a operação da ferramenta. Se houver danos, repare a ferramenta elétrica antes do uso.** Muitos acidentes são causados por ferramentas elétricas com manutenção inadequada.
- ▶ **Mantenha as ferramentas de corte afiadas e limpas.** As ferramentas de corte cuidadosamente mantidas e com arestas de corte afiadas emperram com menos frequência e são mais fáceis de controlar.
- ▶ **Use a ferramenta elétrica, acessórios, bits etc. de acordo com essas instruções, considerando as condições de trabalho e o trabalho a executar.** O uso da ferramenta elétrica em tarefas diferentes das previstas poderá resultar em uma situação perigosa.
- ▶ **Mantenha as empunhadeiras e as superfícies de agarrar secas, limpas e livres de óleo e graxa.** As empunhadeiras e superfícies de agarrar escorregadias não permitem o manuseio e controle seguros da ferramenta em situações inesperadas.

Manuseio e uso cuidadoso da ferramenta com bateria

- ▶ **Recarregar somente com o carregador especificado pelo fabricante.** Um carregador que é adequado para um tipo de bateria pode gerar risco de fogo quando utilizado com outro tipo de bateria.
- ▶ **Use as ferramentas somente com as baterias especificamente designadas.** O uso de outro tipo de bateria pode gerar risco de ferimento e fogo.
- ▶ **Quando a bateria não estiver em uso, mantenha-o afastado de objetos metálicos como clips, moedas, chaves, pregos, parafusos ou outros objetos metálicos pequenos que podem fazer a ligação de um terminal com o outro.** O curto-circuito dos terminais da bateria pode gerar queimaduras ou fogo.
- ▶ **Sob condições abusivas, líquidos podem vazar ser expelidos pela bateria; evite o contato. Se o contato acidental ocorrer, lave com água. Se o líquido entrar em contato com os olhos, consulte um médico.** Líquido expelido pela bateria podem causar irritação ou queimaduras.
- ▶ **Não use uma bateria ou uma ferramenta danificada ou modificada.** As baterias danificadas ou modificadas exibem um comportamento imprevisível podendo causar incêndio, explosão ou risco de ferimentos.

- ▶ **Não exponha a bateria ou a ferramenta ao fogo ou temperaturas excessivas.** A exposição ao fogo ou a temperaturas acima de 130°C pode causar explosão.
- ▶ **Siga todas as instruções de carregamento e não carregue a bateria ou a ferramenta fora da faixa de temperatura especificada nas instruções.** O carregamento inadequado ou a temperaturas fora da faixa especificada pode danificar a bateria e aumentar o risco de incêndio.

Serviço

- ▶ **Somente permita que a sua ferramenta elétrica seja reparada por pessoal qualificado e usando peças de reposição originais.** Só dessa forma é assegurada a segurança da ferramenta elétrica.
- ▶ **Jamais tente reparar baterias danificadas.** O reparo de baterias deve ser somente realizado pelo fabricante ou por prestadores de serviços autorizados.

Instruções de segurança para parafusadeiras

- ▶ **Segure a ferramenta elétrica pelas superfícies de manuseio isoladas, ao realizar uma operação onde o elemento de fixação pode entrar em contato com a fixação oculta.** O contato dos elementos de fixação a um fio "vivo" pode tornar "vivas" as partes metálicas expostas da ferramenta e pode resultar ao operador um choque elétrico.
- ▶ **Utilizar detectores apropriados, para encontrar cabos escondidos, ou consultar a companhia elétrica local.** O contato com cabos elétricos pode provocar fogo e choques elétricos. Danos em tubos de gás podem levar a explosões. A penetração em um cano de água causa danos materiais.
- ▶ **Segure bem a ferramenta elétrica.** Ao apertar ou soltar parafusos podem ocorrer momentos de reação elevados.
- ▶ **Fixar a peça a ser trabalhada.** Uma peça a ser trabalhada fixa com dispositivos de aperto ou com um torno de bancada está mais firme do que segurada com a mão.
- ▶ **Espere a ferramenta elétrica parar completamente, antes de depositá-la.** O acessório acoplável pode emperrar e levar à perda de controle sobre a ferramenta elétrica.
- ▶ **Em caso de danos e de utilização incorreta da bateria, podem escapar vapores. A bateria pode incendiar-se ou explodir.** Arejar bem o local de trabalho e consultar um médico se forem constatados quaisquer sintomas. Os vapores podem irritar as vias respiratórias.
- ▶ **Não abra a bateria.** Existe perigo de curto-circuito.
- ▶ **A bateria pode ser danificada com objetos pontiagudos como p. ex. prego ou chave de parafusos ou devido à influência de força externa.** Pode ocorrer um curto-circuito interno e a bateria pode arder, deitar fumo, explodir ou sobreaquecer.
- ▶ **Usar a bateria apenas em produtos do fabricante.** Só assim é que a bateria fica protegida contra sobrecarga perigosa.



Proteja a bateria do calor, p. ex. radiação solar permanente, fogo, sujeira, água e umidade. Há risco de explosão ou de um curto-circuito.



- ▶ **As ferramentas de trabalho podem aquecer durante os trabalhos! Existe perigo de queimadura ao trocar a ferramenta de trabalho.** Utilize luvas de proteção para retirar a ferramenta de trabalho.
- ▶ **Cuidado! Durante a utilização da ferramenta elétrica com Bluetooth® podem ocorrer falhas noutros aparelhos e instalações, aviões e aparelho médicos (p. ex. marca-passos, aparelhos auditivos. Também não é possível excluir lesões em pessoas e animais nas imediações. Não utilize a ferramenta elétrica com Bluetooth® nas proximidades de aparelhos médicos, estações de serviço, instalações químicas, áreas com perigo de explosão e em áreas de detonação. Não utilize a ferramenta elétrica com Bluetooth® em aviões. Evite o funcionamento durante um longo período de tempo junto ao corpo.**

A marca nominativa Bluetooth® bem como os símbolos gráficos (logótipos) são marcas registradas e propriedade da Bluetooth SIG, Inc. Qualquer utilização desta marca nominativa/símbolos gráficos pela Robert Bosch Power Tools GmbH é feita ao abrigo de licença.

Descrição do produto e especificações



Ler todas as indicações de segurança e instruções. O desrespeito das advertências e das instruções de segurança apresentadas abaixo pode causar choque elétrico, incêndio e/ou graves lesões.

Respeite as ilustrações na parte da frente do manual de instruções.

Utilização adequada

A ferramenta elétrica se destina a enroscar e soltar parafusos, bem como a apertar e soltar porcas na faixa de dimensões indicada.

Dados técnicos

Parafusadeira de impacto sem fio		GDS 18V-1000	GDS 18V-1050 H	GDS 18V-1000 C	GDS 18V-1050 HC
Número de produto		3 601 JJ8 3..	3 601 JJ8 5..	3 601 JJ8 0..	3 601 JJ8 2..
Tensão nominal	V=	18	18	18	18
Nº de rotações em vazio ^{A)}					
- Ajuste 1	rpm	0-800	0-800	0-800	0-800
- Ajuste 2	rpm	0-1200	0-1200	0-1300	0-1300
- Ajuste 3	rpm	0-1750	0-1750	0-1750	0-1750
Nº de impactos ^{A)}					
- Ajuste 1	ipm	0-1600	0-1600	0-1600	0-1600

Os dados e ajustes da ferramenta elétrica podem ser transferidos entre a ferramenta elétrica e um aparelho terminal móvel com o Bluetooth® Low Energy Module **GCY 42** inserido através de tecnologia de radiotransmissão Bluetooth®.

Componentes ilustrados

A numeração dos componentes ilustrados refere-se à apresentação da ferramenta elétrica na página de esquemas.

- (1) Mandril
- (2) Comutador de reversão
- (3) Cobertura do Bluetooth® Low Energy Module **GCY 42**
- (4) Clipe para escadote
- (5) Bateria^{a)}
- (6) Botão de destravamento da bateria^{a)}
- (7) Interface de usuário
- (8) Interruptor de ligar/desligar
- (9) Punho (superfície de aderência isolada)
- (10) Ferramenta de trabalho (p. ex. chave de caixa)^{a)}

Interface de usuário

- (11) Indicação do estado da ferramenta elétrica
- (12) Indicação do modo
- (13) Tecla da luz de trabalho (GDS 18V-1000, GDS 18V-1050 H)
- (14) Tecla do modo (GDS 18V-1000 C, GDS 18V-1050 HC)
- (15) Luz de trabalho
- (16) Tecla de pré-seleção da velocidade de rotação
- (17) Indicação do nível de pré-seleção da velocidade de rotação

a) **Acessórios apresentados ou descritos não pertencem ao volume de fornecimento. Todos os acessórios encontram-se no nosso catálogo de acessórios.**

Parafusadeira de impacto sem fio		GDS 18V-1000	GDS 18V-1050 H	GDS 18V-1000 C	GDS 18V-1050 HC
- Ajuste 2	ipm	0-2400	0-2400	0-2300	0-2300
- Ajuste 3	ipm	0-2600	0-2600	0-2600	0-2600
Torque ^{A)}					
- Ajuste 1	Nm	0-350	0-350	0-350	0-350
- Ajuste 2	Nm	0-700	0-750	0-650	0-650
- Ajuste 3	Nm	0-1000	0-1050	0-1000	0-1050
Torque máx. de aperto ^{A)}	Nm	1000	1050	1000	1050
Torque máx. para soltar ^{A)}	Nm	1600	1700	1600	1700
Ø parafusos da máquina	mm	M14-M24	M14-M24	M14-M24	M14-M24
Mandril		■ ½"	■ ¾"	■ ½"	■ ¾"
Peso conforme EPTA-Procedure 01:2014 ^{B)}	kg	3,3-4,4	3,3-4,4	3,3-4,4	3,3-4,4
Temperatura ambiente recomendada ao carregar	°C	0 ... +35	0 ... +35	0 ... +35	0 ... +35
Temperatura ambiente admissível durante o funcionamento e durante o armazenamento	°C	-20 ... +50	-20 ... +50	-20 ... +50	-20 ... +50
Baterias compatíveis		GBA 18V... ProCORE18V...	GBA 18V... ProCORE18V...	GBA 18V... ProCORE18V...	GBA 18V... ProCORE18V...
Baterias recomendadas para desempenho total		ProCORE18V... ≥ 5,5 Ah	ProCORE18V... ≥ 5,5 Ah	ProCORE18V... ≥ 5,5 Ah	ProCORE18V... ≥ 5,5 Ah
Carregadores recomendados		GAL 18... GAX 18... GAL 36...	GAL 18... GAX 18... GAL 36...	GAL 18... GAX 18... GAL 36...	GAL 18... GAX 18... GAL 36...
Transferência de dados					
Bluetooth ^{C)}		-	-	Bluetooth® 4.1 (Low Energy)	Bluetooth® 4.1 (Low Energy)
Distância do sinal	s	-	-	8	8
Alcance máx. do sinal ^{D)}	m	-	-	30	30

A) Medido a 20-25 °C com bateria **ProCORE18V 8.0Ah**.

B) Medido com **GBA 18V 1.5Ah** e **GBA 18V 12Ah**.

C) Os dispositivos móveis devem ser compatíveis com aparelhos *Bluetooth®* Low Energy (versão 4.1) e suportar o Generic Access Profile (GAP).

D) O alcance pode variar muito em função das condições exteriores, incluindo o aparelho de recepção utilizado. No interior de recintos fechados e devido a barreiras metálicas (p. ex. paredes, estantes, malas, etc.) o alcance do sinal *Bluetooth®* pode ser nitidamente mais baixo.

Informação sobre ruídos/vibrações

		GDS 18V-1000	GDS 18V-1050 H	GDS 18V-1000 C	GDS 18V-1050 HC
Os valores de emissão de ruído foram determinados de acordo com EN 62841-2-2 .					
O nível sonoro avaliado "A" da ferramenta elétrica normalmente é					
Nível de pressão sonora	dB(A)	91	95	95	95
Nível de potência sonora	dB(A)	102	106	106	106
Incerteza K	dB	3	3	3	3
Usar proteção auditiva!					
Valores totais de vibração a_{hv} (soma vetorial nas três direções) e incerteza K determinada em função da EN 62841-2-2 :					

Apertar parafusos e porcas com um máximo tamanho admissível

a_h	m/s^2	12	13	13,5	13,5
K	m/s^2	1,5	1,5	1,5	1,5

Os níveis de vibrações indicados nestas instruções e o valor de emissão de ruído foram medidos de acordo com um método de medição padronizado e podem ser usados para comparar ferramentas elétricas entre si. Também são adequados para uma avaliação preliminar das emissões de vibrações e ruído.

Os níveis de vibrações indicados e o valor de emissão de ruído representam as principais aplicações da ferramenta elétrica. No entanto, se a ferramenta elétrica for usada para outras aplicações, com diferentes acessórios acopláveis ou com manutenção insuficiente, os níveis de vibrações e o valor de emissão de ruído podem ser diferentes. Isso pode aumentar significativamente as emissões de vibrações e ruído durante todo o período de trabalho.

Para uma estimativa precisa das emissões de vibrações e ruído, também devem ser considerados os momentos em que a ferramenta está desligada ou em funcionamento, mas não está realmente em uso. Isso pode reduzir significativamente as emissões de vibrações e ruído durante todo o período de trabalho.

Além disso também deverão ser estipuladas medidas de segurança para proteger o operador contra o efeito de vibrações, como por exemplo: a manutenção das ferramentas elétricas e dos acessórios acopláveis, luvas durante o trabalho e a organização dos processos de trabalho.

Montagem

- ▶ **Retire a bateria da ferramenta elétrica antes de qualquer trabalho na ferramenta elétrica (p. ex. manutenção, troca de acessório, etc.), assim como para transporte e armazenamento da mesma.** Em caso de acionamento inadvertido do interruptor de ligar/desligar existe perigo de ferimentos.

Carregar a bateria

- ▶ **Utilize somente os carregadores indicados nos dados técnicos.** Somente estes carregadores são adequados para a bateria de íons de lítio utilizada na sua ferramenta elétrica.

Nota: A bateria é fornecida parcialmente carregada. Para assegurar a completa potência da bateria, a bateria deverá ser carregada completamente no carregador antes da primeira utilização.

A bateria de íons de lítio pode ser carregada a qualquer momento, sem que a sua vida útil seja reduzida. Uma interrupção do processo de carga não danifica a bateria.

A bateria de íons de lítio está protegida contra descarga profunda através da "Electronic Cell Protection (ECP)". Quando a bateria fica descarregada, a ferramenta elétrica se

desliga através do desligamento de proteção: a ferramenta de trabalho não se move mais.

- ▶ **Depois do desligamento automático da ferramenta elétrica, não continue pressionando o interruptor de ligar/desligar.** Isso pode danificar a bateria.

Observar a indicação sobre a eliminação de forma ecológica.

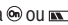

Remover a bateria

A bateria (5) dispõe de dois níveis de bloqueio que devem evitar que a bateria caia se for pressionado inadvertidamente o botão de destravamento da bateria (6). Enquanto a bateria estiver na ferramenta elétrica, ele será mantido em posição por meio de uma mola.

Para retirar a bateria (5) pressione o botão de destravamento (6) e puxe a bateria para fora da ferramenta elétrica. **Ao fazê-lo, não aplique força.**

Indicador do nível de carga da bateria

Os LEDs verdes do indicador do nível de carga da bateria mostram o nível de carga da bateria. Por motivos de segurança, a consulta do nível de carga só é possível com a ferramenta elétrica parada.

Pressione a tecla para o indicador do nível de carga  ou  para exibir o nível de carga. Isto também é possível com a bateria removida.

Se depois de pressionar a tecla para o indicador do nível de carga não acender nenhum LED, a bateria tem defeito ou tem de ser substituída.

Tipo de bateria GBA 18V...



LEDs	Capacidade
Luz permanente 3 x verde	60-100 %
Luz permanente 2 x verde	30-60 %
Luz permanente 1 x verde	5-30 %
Luz intermitente 1 x verde	0-5 %

Tipo de bateria ProCORE18V...



LEDs	Capacidade
Luz permanente 5 x verde	80-100 %
Luz permanente 4 x verde	60-80 %
Luz permanente 3 x verde	40-60 %
Luz permanente 2 x verde	20-40 %

LEDs	Capacidade
Luz permanente 1 x verde	5–20 %
Luz intermitente 1 x verde	0–5 %

Inserir o *Bluetooth*® Low Energy Module GY 42 (acessório)

Para informações sobre *Bluetooth*® Low Energy Module GY 42, leia o guia de usuário associado.

Troca de ferramenta (ver figuras A–B)

- ▶ **Retire a bateria da ferramenta elétrica antes de qualquer trabalho na ferramenta elétrica (p. ex. manutenção, troca de acessório, etc.), assim como para transporte e armazenamento da mesma.** Em caso de acionamento inadvertido do interruptor de ligar/desligar existe perigo de ferimentos.
- ▶ **Ao colocar um acessório, assegurar que este assenta de forma segura no encabadouro.** Se o acessório não estiver ligado de forma segura ao encabadouro, poderá se soltar durante a operação de aparafusamento.

Empurre a ferramenta de trabalho (10) para dentro do quadrado do encabadouro (1).

Funcionamento

Modo de funcionamento

O encabadouro (1) com o acessório é acionado por um motor elétrico através da engrenagem e mecanismo de percussão.

O processo de trabalho é composto por duas fases:

enroscar e apertar (mecanismo de percussão em ação).

O mecanismo de percussão inicia assim que a união roscada prende e, conseqüentemente, exerce carga sobre o motor. Desta forma, o mecanismo de percussão converte a força do motor em percussões-rotações uniformes. Este processo decorre de forma inversa para soltar parafusos ou porcas.

Colocação em funcionamento

- ▶ **Pouse a ferramenta de trabalho sempre de lado e não a coloque sobre a bateria.** A ferramenta elétrica pode tombar em função da ferramenta de trabalho e da bateria utilizadas.

Indicadores de estado

Indicação do estado da ferramenta elétrica (11)	Significado/causa	Solução
Verde	Estado OK	–
Amarelo	Temperatura crítica atingida ou bateria quase vazia	Deixar a ferramenta elétrica funcionar em vazio e esfriar, ou trocar ou carregar bateria em breve
Acender a vermelho	A ferramenta elétrica está superaquecida ou a bateria está vazia	Deixar a ferramenta elétrica esfriar, ou troque ou carregue a bateria

Colocar bateria

Nota: A utilização de baterias não adequadas para sua ferramenta elétrica pode originar falhas de funcionamento ou danos na ferramenta elétrica.

Empurre a bateria carregada (5) para dentro da base da ferramenta elétrica, até que a bateria bloqueie de forma segura.

Ajustar sentido (ver figura E)

Com o comutador do sentido de rotação (2) pode alterar o sentido de rotação da ferramenta elétrica. No entanto, tal não é possível com o interruptor de ligar/desligar (8) pressionado.

Rotação à direita: para enroscar parafusos e apertar porcas pressione o comutador do sentido de rotação (2) para a esquerda até ao batente.

Rotação à esquerda: Para soltar ou desparafusar parafusos e porcas, pressione o comutador do sentido de rotação (2) para a direita até ao limitador.

Ajustar número de rotações/impactos

É possível regular o número de rotações/impactos da ferramenta elétrica ligada, dependendo do quanto o interruptor de ligar/desligar (8) é pressionado.

Uma leve pressão no interruptor de ligar/desligar (8) origina uma rotação/impacto baixo. Aumentando a pressão aumenta o número de rotações/impactos.

Ligar e desligar

Para **ligar** a ferramenta elétrica pressione e mantenha pressionado o interruptor de ligar/desligar (8).

A luz de trabalho (15) se acende com o interruptor de ligar/desligar (8) ligeira ou totalmente pressionado e permite iluminar o local de trabalho com condições de luminosidade desfavoráveis.

Para **desligar** a ferramenta elétrica, soltar o interruptor de ligar/desligar (8).

Interface de usuário (ver figuras D–E)

GDS 18V-1000 C / GDS 18V-1050 HC:

A interface de usuário (7) é utilizada para a pré-seleção da velocidade de rotação e pré-seleção do modo de trabalho bem como para a indicação do estado da ferramenta elétrica.

Indicação do estado da ferramenta elétrica (11)	Significado/causa	Solução
Azul intermitente	A ferramenta elétrica está ligada ao aparelho terminal móvel ou as configurações estão sendo transferidas	-

Pré-seleção da velocidade de rotação

Com a tecla para a pré-seleção da velocidade de rotação (16) pode pré-selecionar o número de rotações necessário em 3 níveis. Pressione a tecla (16) as vezes necessárias até que o ajuste desejado seja sinalizado na indicação do número de rotações (17). O ajuste selecionado é salvo.

GDS 18V-1000 C / GDS 18V-1050 HC:

Também pode pré-selecionar a pré-seleção da velocidade de rotação através do aplicativo Bosch Toolbox.

O número de rotações necessário depende do material e das condições de trabalho e pode ser verificado através de ensaios práticos.

Os dados na seguinte tabela são valores recomendados.

Número de níveis de rotação	Definição básica Nº de rotações por nível		
	1	2	3
	[rpm]	[rpm]	[rpm]
3	0-1 100	0-2 300	0-3 400

Com a tecla para a pré-seleção da velocidade de rotação (16) pode pré-selecionar o número de rotações necessário mesmo durante o funcionamento.

Ligar a luz de trabalho

GDS 18V-1000 / GDS 18V-1050 H:

Para ligar ou desligar a luz de trabalho (15) pressione a tecla da luz de trabalho (13).

- ▶ **Não olhar diretamente para a luz de trabalho pois poderá ser ofuscado pela luz.**

Selecionar o modo de trabalho

GDS 18V-1000 C / GDS 18V-1050 HC:

A ferramenta elétrica possui 2 modos de trabalho predefinidos **A** e **B** (12). Através do aplicativo Bosch Toolbox pode programar adicionalmente os modos de trabalho **A** e **B** (12) para diferentes aplicações e adaptar os modos existentes.

Para comutar entre os modos de trabalho **A** e **B** (12), pressione a tecla (14).

Indicações de trabalho

- ▶ **Coloque somente a ferramenta elétrica desligada sobre a porca/parafuso.** Ferramentas elétricas rodando podem deslizar.

- ▶ **A ferramenta elétrica com o Bluetooth® Low Energy Module GCY 42 (acessório) inserido, está equipada com uma interface de comunicação. Devem ser observadas as restrições de operação locais, p. ex. em aviões ou hospitais.**

O torque depende da duração do impacto. O torque máximo alcançado resulta da soma de todos os torques individuais alcançados por meio dos impactos. O torque máximo é alcançado após uma duração de impacto de 6 a 10 segundos. Após este período de tempo o torque de aperto já só tem um aumento mínimo.

A duração do impacto tem de ser determinada para cada torque de aperto necessário. O torque de aperto efetivamente alcançado tem de ser sempre verificado com uma chave de torque.

Unões roscadas com assento duro, elástico ou macio

São medidas por tentativas em torques alcançados por uma sequência de impactos, transferidas para um diagrama, sendo obtida uma curva de evolução de torque. A altura da curva corresponde ao torque máximo alcançável, que indica a inclinação e em que tempo é que este é alcançado.

A evolução do torque depende dos seguintes fatores:

- Resistência dos parafusos/porcas
- Tipo de base (disco, mola de disco, vedação)
- Resistência do material a aparafusar
- Condições de lubrificação na união roscada

Daí resultam os seguintes casos de aplicação:

- **Assento duro** se verifica nas uniões roscadas de metal em metal com utilização de anilhas. O torque máximo é alcançado após um tempo de impacto relativamente curto (curva característica acentuada). Tempos de impacto desnecessariamente longos só danificam a máquina.
- **Assento elástico** se verifica nas uniões roscadas de metal em metal, porém, com utilização de arruelas elásticas, molas de disco, pinos ou parafusos/porcas com assento cônico, bem como na utilização de prolongamentos.
- **Assento macio** se verifica nas uniões roscadas de p. ex. metal em madeira, ou na utilização de discos de chumbo ou fibras como base.

Nos assentos elásticos ou macios o torque de aperto máximo é menor do que no caso do assento duro. Do mesmo modo é necessário um tempo de impacto consideravelmente maior.

Valores de referência para torques máximos de aperto de parafusos

Indicações em Nm, calculadas a partir da seção de tensão; utilização do limite de elasticidade 90% (com coeficiente de fricção $\mu_{\text{tot.}} = 0,12$). Para efeitos de controle, é necessário verificar sempre o torque de aperto com uma chave dinamométrica.

Classes de resistência segundo a norma DIN 267	Parafusos standard									Parafusos de alta resistência		
	3,6	4,6	5,6	4,8	6,6	5,8	6,8	6,9	8,8	10,9	12,9	
M10	13	17,5	22	23	26	29	35	39	47	65	78	
M12	22,6	30	37,6	40	45	50	60	67	80	113	135	
M14	36	48	60	65	72	79	95	107	130	180	215	
M16	55	73	92	98	110	122	147	165	196	275	330	
M18	75	101	126	135	151	168	202	227	270	380	450	
M20	107	143	178	190	214	238	286	320	385	540	635	
M22	145	190	240	255	290	320	385	430	510	715	855	
M24	185	245	310	325	370	410	490	455	650	910	1100	

Dicas

Antes de apertar parafusos de grande dimensões em materiais duros, deve pré-perfurar com o diâmetro do núcleo da rosca em aprox. 2/3 do comprimento do parafuso.

Nota: Tenha atenção para que não entrem pequenas peças metálicas na ferramenta elétrica.

Após trabalhos em longos períodos em baixas rotações, deixar a ferramenta elétrica rodar em vazio em rotação máxima, para arrefecer, durante aprox. 3 minutos.

Indicações para o manuseio ideal da bateria

Proteja a bateria de umidade e água.

Armazene a bateria apenas numa faixa de temperatura de -20 °C até 50 °C. Não deixe a bateria p. ex. dentro de um veículo no verão.

Uma autonomia consideravelmente inferior após um carregamento, indica que a bateria está gasta e tem de ser substituída.

Observar a indicação sobre a eliminação de forma ecológica.

Clipe para escadote

Com o clipe para escadote (4) pode pendurar a ferramenta elétrica p. ex. em um escadote.



O parafuso do clipe para escadote tem de ser apertado com um torque de aperto de 2,0-2,5 Nm.

Comando via aplicativo

GDS 18V-1000 C / GDS 18V-1050 HC:

A ferramenta elétrica pode ser equipada com um módulo Bluetooth®, o qual permite a transferência de dados para determinados aparelhos terminais móveis com interface Bluetooth® (p. ex. smartphone, tablet) através de tecnologia de radiocomunicação.

Para poder comandar a ferramenta elétrica via Bluetooth®, necessita do aplicativo Bosch "Bosch Toolbox". Baixe o aplicativo através da loja correspondente (Apple App Store, Google Play Store).

Depois selecione no aplicativo o submenu "My Tools". A tela do seu aparelho terminar móvel mostra todos os passos

adicionais para conectar a ferramenta elétrica ao aparelho terminal.

Depois de ter sido estabelecida uma ligação com o aparelho terminal móvel, ficam disponíveis as seguintes funções:

- Registro e personalização
- Verificação do estado, emissão de mensagens de aviso
- Informações gerais e ajustes
- Gestão
- Ajuste dos níveis de rotação
- Ajuste dos modos de trabalho

Manutenção e serviço

Manutenção e limpeza

- ▶ **Limpe regularmente as aberturas de ventilação de sua ferramenta elétrica.** A ventoinha do motor puxa pó para dentro da carcaça, e uma grande quantidade de pó de metal pode causar perigos elétricos.
- ▶ **Retire a bateria da ferramenta elétrica antes de qualquer trabalho na ferramenta elétrica (p. ex. manutenção, troca de acessório, etc.), assim como para transporte e armazenamento da mesma.** Em caso de acionamento inadvertido do interruptor de ligar/desligar existe perigo de ferimentos.
- ▶ **Manter a ferramenta elétrica e as aberturas de ventilação sempre limpas, para trabalhar bem e de forma segura.**

Serviço pós-venda e assistência ao cliente

O serviço pós-venda responde às suas perguntas a respeito de serviços de reparação e de manutenção do seu produto, assim como das peças sobressalentes. Desenhos explodidos e informações sobre peças sobressalentes também em:

www.bosch-pt.com

A nossa equipe de consultores Bosch esclarece com prazer todas as suas dúvidas a respeito dos nossos produtos e acessórios.

Indique em todas as questões ou encomendas de peças sobressalentes impreterivelmente a referência de 10 dígitos de acordo com a placa de características do produto.

Brasil

Robert Bosch Ltda. – Divisão de Ferramentas Elétricas
Rodovia Anhanguera, Km 98 - Parque Via Norte
13065-900, CP 1195
Campinas, São Paulo
Tel.: 0800 7045 446
www.bosch.com.br/contato

Encontre outros endereços da assistência técnica em:

www.bosch-pt.com/serviceaddresses

Transporte

As baterias de lítio incluídas estão em conformidade com os requisitos da regulamentação do transporte de mercadorias perigosas. Os baterias podem ser transportados pelo utilizador, nas vias públicas, sem mais nenhuma obrigação.

No caso de envio através de terceiros (p. ex.: transporte aéreo ou transitário) é necessário respeitar os requisitos especiais para a embalagem e identificação. Neste caso, para a preparação da embalagem é necessário consultar um perito no transporte de mercadorias perigosas.

Só enviar baterias se a carcaça não estiver danificada. Colar contatos abertos e embalar o bateria de modo que não possa se movimentar dentro da embalagem. Por favor observe também eventuais diretrizes nacionais suplementares.

Descarte



Ferramentas elétricas, baterias, acessórios e embalagens devem ser enviados a uma reciclagem ecológica de matérias primas.



Não descarte as ferramentas elétricas e as baterias/pilhas no lixo doméstico!

Baterias/pilhas:

Lítio:

Por favor, observe as instruções na seção de transporte (ver "Transporte", Página 48).

中文

安全规章

电动工具通用安全警告

警告！

阅读所有警告和所有说明！不遵照以下警告和说明会导致电

击、着火和 / 或严重伤害。

保存所有警告和说明书以备查阅。

在所有下列的警告中术语“电动工具”指市电驱动（有线）电动工具或电池驱动（无线）电动工具。

工作场地的安全

- ▶ **保持工作场地清洁和明亮。** 混乱和黑暗的场地会引发事故。
- ▶ **不要在易爆环境，如有易燃液体、气体或粉尘的环境下操作电动工具。** 电动工具产生的火花会点燃粉尘或气体。
- ▶ **让儿童和旁观者离开后操作电动工具。** 注意力不集中会使操作者失去对工具的控制。

电气安全

- ▶ **电动工具插头必须与插座相配。** 绝不能以任何方式改装插头。需接地的电动工具不能使用任何转换插头。未经改装的插头和相配的插座将减少电击危险。
- ▶ **避免人体接触接地表面，如管道、散热片和冰箱。** 如果你身体接地会增加电击危险。
- ▶ **不得将电动工具暴露在雨中或潮湿环境中。** 水进入电动工具将增加电击危险。
- ▶ **不得滥用电线。** 绝不能用电线搬运、拉动电动工具或拔出其插头。使电线远离热源、油、锐边或运动部件。受损或缠绕的软线会增加电击危险。
- ▶ **当在户外使用电动工具时，使用适合户外使用的外接软线。** 适合户外使用的软线将减少电击危险。
- ▶ **如果在潮湿环境下操作电动工具是不可避免的，应使用剩余电流动作保护器（RCD）。** 使用RCD可减小电击危险。

人身安全

- ▶ **保持警觉，当操作电动工具时关注所从事的操作并保持清醒。** 当你感到疲倦，或在有药物、酒精或治疗反应时，不要操作电动工具。在操作电动工具时瞬间的疏忽会导致严重人身伤害。
- ▶ **使用个人防护装置。** 始终佩戴护目镜。安全装置，诸如适当条件下使用防尘面具、防滑安全鞋、安全帽、听力防护等装置能减少人身伤害。
- ▶ **防止意外起动。** 确保开关在连接电源和/或电池盒、拿起或搬运工具时处于关断位置。手指放在已接通电源的开关上或开关处于接通时插入插头可能会导致危险。
- ▶ **在电动工具接通之前，拿掉所有调节钥匙或扳手。** 遗留在电动工具旋转零件上的扳手或钥匙会导致人身伤害。
- ▶ **手不要伸展得太长。** 时刻注意立足点和身体平衡。这样在意外情况下能很好地控制电动工具。
- ▶ **着装适当。** 不要穿宽松衣服或佩戴饰品。让衣服、手套和头发远离运动部件。宽松衣服、佩戴或长发可能会卷入运动部件中。
- ▶ **如果提供了与排屑、集尘设备连接用的装置，要确保他们连接完好且使用得当。** 使用这些装置可减少尘屑引起的危险。
- ▶ **即使由于经常使用电动工具而对此非常熟悉，也不要就认为可以高枕无忧而忽略工具的安全规定。** 粗心大意的行为可能在瞬间就造成严重的伤害。

电动工具使用和注意事项

- ▶ **不要滥用电动工具，根据用途使用适当的电动工具。** 选用适当设计的电动工具会使你工作更有效、更安全。
- ▶ **如果开关不能接通或关断工具电源，则不能使用该电动工具。** 不能用开关来控制的电动工具是危险的且必须进行修理。
- ▶ **在进行任何调节、更换附件或贮存电动工具之前，必须从电源上拔掉插头和/或使电池盒与工具脱开。** 这种防护性措施将减少工具意外起动的危险。
- ▶ **将闲置不用的电动工具贮存在儿童所及范围之外，并且不要让不熟悉电动工具或对这些说明不了解的人操作电动工具。** 电动工具在未经培训的用户手中是危险的。
- ▶ **保养电动工具。检查运动件是否调整到位或卡住，检查零件破损情况和影响电动工具运行的其他状况。** 如有损坏，电动工具应在使用前修理好。许多事故由维护不良的电动工具引发。
- ▶ **保持切削刀具锋利和清洁。** 保养良好的有锋利切削刃的刀具不易卡住而且容易控制。
- ▶ **按照使用说明书，考虑作业条件和进行的作业来使用电动工具、附件和工具的刀头等。** 将电动工具用于那些与其用途不符的操作可能会导致危险。
- ▶ **保持手柄和握持表面干燥、清洁、无油污。** 在突发情况下，滑溜的手柄和握持表面无法确保安全地握持和控制工具。

电池式工具使用和注意事项

- ▶ **只用制造商规定的充电器充电。** 将适用于某种电池盒的充电器用到其他电池盒时会发生着火危险。
- ▶ **只有在配有专用电池盒的情况下才使用电动工具。** 使用其他电池盒会发生损坏和着火危险。
- ▶ **当电池盒不用时，将它远离其他金属物体，例如回形针、硬币、钥匙、钉子、螺钉或其他小金属物体，以防一端与另一端连接。** 电池端部短路会引起燃烧或火灾。
- ▶ **在滥用条件下，液体会从电池中溅出；避免接触。** 如果意外碰到了，用水冲洗。如果液体碰到了眼睛，还要寻求医疗帮助。从电池中溅出的液体会发生腐蚀或燃烧。
- ▶ **不要使用损坏的或更改过的电池组或工具。** 损坏或更改过的电池可能导致不可预料的情况发生，有着火、爆炸或受伤的风险。
- ▶ **不要将电池组或工具暴露于火焰或高温情况下。** 火焰或超过130°C的温度可能会引起爆炸。
- ▶ **遵守所有充电说明，给电池组或工具充电时不要超出说明中规定的温度范围。** 错误充电或温度超出规定的范围可能会损坏电池并提高着火的风险。

维修

- ▶ **将你的电动工具送交专业维修人员，使用同样的备件进行修理。** 这样将确保所维修的电动工具的安全性。

- ▶ **决不能维修损坏的电池包。** 电池包仅能由生产者或其授权的维修服务商进行维修。

针对起子机的安全规章

- ▶ **当在紧固件可能触及暗线的场合进行操作时，通过绝缘握持面握持工具。** 紧固件碰到带电导线会使工具外露金属零件带电而使操作者遭受电击。
- ▶ **使用合适的侦测装置侦察隐藏的电线，或者向当地的相关单位寻求支援。** 接触电线可能引起火灾并让操作者触电。损坏了瓦斯管会引起爆炸。如果水管被刺穿了会导致财物损失。
- ▶ **请紧握电动工具。** 拧紧和拧松螺丝时可能短时出现高反应扭矩。
- ▶ **固定好工件。** 使用固定装置或老虎钳固定工件，会比用手握工件更牢固。
- ▶ **等待电动工具完全静止后才能够放下机器。** 机器上的工具可能在工作中被夹住，而令您无法控制电动工具。
- ▶ **如果充电电池损坏或者未按照规定使用，充电电池中会散发出有毒蒸汽。充电电池可能会燃烧或爆炸。** 工作场所必须保持空气流通，如果身体有任何不适必须马上就医。蒸汽会刺激呼吸道。
- ▶ **切勿打开充电电池。** 可能造成短路。
- ▶ **钉子、螺丝刀等尖锐物品或外力作用可能会损坏充电电池。** 有可能出现内部短路、蓄电池燃烧、发出烟雾、爆炸或过热。
- ▶ **只能将此充电电池用在制造商的产品中。** 这样才能确保充电电池不会过载。



保护充电电池免受高温（例如长期阳光照射）、火焰、脏污、水和湿气的侵害。有爆炸和短路的危险。



- ▶ **工具刀头在操作过程中可能变得炽热！更换工具刀头时会有烫伤的风险。** 取下工具刀头时请佩戴保护手套。
- ▶ **注意！在使用有蓝牙功能的电动工具时，其他装置和设备、飞机和医疗器械（例如心脏起搏器、助听器）可能会出现故障。同样不能完全排除周围的人 and 动物会受到伤害。请不要在医疗设备、加油站、化工厂、有爆炸危险的地区附近和在爆破区内使用有蓝牙功能的电动工具。请勿在飞机上使用有蓝牙功能的电动工具。请避免在身体附近较长时间使用。**

蓝牙®文字标记和图形符号（标志）是Bluetooth SIG公司的注册商标和财产。Robert Bosch Power Tools GmbH根据许可可使用这些文字标记/图形符号。

产品和性能说明



请阅读所有安全规章和指示。不遵照以下警告和说明可能导致电击、着火和/或严重伤害。

请注意本使用说明书开头部分的图示。

按照规定使用

本电动工具适用于拧入和拧出螺丝，并且可以拧紧和放松规定尺寸内的螺母。

装入 **蓝牙** Low Energy Module **GCY 42** (低能耗模块) 后，通过 **蓝牙** 无线技术在电动工具和移动终端设备之间传输电动工具的数据和设置。

插图上的机件

机件的编号和电动工具详解图上的编号一致。

- (1) 工具夹头
- (2) 正逆转开关
- (3) Bluetooth® (蓝牙) 低能耗模块盖板 **GCY 42**
- (4) 梯子夹
- (5) 充电电池^{a)}
- (6) 充电电池解锁按钮^{a)}
- (7) 用户界面

- (8) 电源开关
- (9) 手柄 (绝缘握柄)
- (10) 工具刀头 (螺母起子头)^{a)}

用户界面

- (11) 电动工具状态指示灯
- (12) 模式指示灯
- (13) 工作灯按钮
(**GDS 18V-1000**、**GDS 18V-1050 H**)
- (14) 模式按钮
(**GDS 18V-1000 C**、**GDS 18V-1050 HC**)
- (15) 工作灯
- (16) 转速预选按钮
- (17) 转速预选等级指示灯

a) 图表或说明上提到的附件，并不包含在基本的供货范围中。本公司的附件清单中有完整的附件供应项目。

技术参数

充电式冲击钻/起子机		GDS 18V-1000	GDS 18V-1050 H	GDS 18V-1000 C	GDS 18V-1050 HC
物品代码		3 601 JJ8 3..	3 601 JJ8 5..	3 601 JJ8 0..	3 601 JJ8 2..
额定电压	伏特=	18	18	18	18
空载转速 ^{A)}					
- 设置1	转/分钟	0-800	0-800	0-800	0-800
- 设置2	转/分钟	0-1200	0-1200	0-1300	0-1300
- 设置3	转/分钟	0-1750	0-1750	0-1750	0-1750
冲击次数 ^{A)}					
- 设置1	转/分钟	0-1600	0-1600	0-1600	0-1600
- 设置2	转/分钟	0-2400	0-2400	0-2300	0-2300
- 设置3	转/分钟	0-2600	0-2600	0-2600	0-2600
扭矩 ^{A)}					
- 设置1	牛顿米	0-350	0-350	0-350	0-350
- 设置2	牛顿米	0-700	0-750	0-650	0-650
- 设置3	牛顿米	0-1000	0-1050	0-1000	0-1050
最大拧紧扭矩 ^{A)}	牛顿米	1000	1050	1000	1050
最大松开扭矩 ^{A)}	牛顿米	1600	1700	1600	1700
机械螺栓直径	毫米	M14-M24	M14-M24	M14-M24	M14-M24
工具夹头		■ ½英寸	■ ¾英寸	■ ½英寸	■ ¾英寸
重量符合 EPTA-Procedure 01:2014 ^{B)}	公斤	3.3-4.4	3.3-4.4	3.3-4.4	3.3-4.4
充电时建议的环境温度	摄氏度	0至+35	0至+35	0至+35	0至+35

充电式冲击钻/起子机		GDS 18V-1000	GDS 18V-1050 H	GDS 18V-1000 C	GDS 18V-1050 HC
工作时和存放时允许的环境温度	摄氏度	-20至+50	-20至+50	-20至+50	-20至+50
兼容的充电电池		GBA 18V... ProCORE18V...	GBA 18V... ProCORE18V...	GBA 18V... ProCORE18V...	GBA 18V... ProCORE18V...
推荐的确全功率的充电电池		ProCORE18V... ≥ 5.5 安培小时	ProCORE18V... ≥ 5.5 安培小时	ProCORE18V... ≥ 5.5 安培小时	ProCORE18V... ≥ 5.5 安培小时
推荐的充电器		GAL 18... GAX 18... GAL 36...	GAL 18... GAX 18... GAL 36...	GAL 18... GAX 18... GAL 36...	GAL 18... GAX 18... GAL 36...
数据传输					
Bluetooth® (蓝牙) ^{C)}		-	-	Bluetooth® (蓝牙) 4.1 (低能耗)	Bluetooth® (蓝牙) 4.1 (低能耗)
信号间隔	秒	-	-	8	8
信号最大作用距离 ^{D)}	米	-	-	30	30

A) 在20-25摄氏度的条件下带充电电池ProCORE18V 8.0Ah测得

B) 使用GBA 18V 1.5Ah和GBA 18V 12Ah进行测量

C) 移动终端设备必须可与Bluetooth® (蓝牙) 低能耗装置 (版本4.1) 兼容并支持通用访问配置 (GAP)。

D) 根据外部条件包括所用接收设备的不同, 覆盖范围会有很大差别。在封闭的室内以及由于金属障碍物 (如墙壁、台架、箱子等), 蓝牙®覆盖范围可能明显缩小。

安装

- ▶ 在电动工具上进行任何维护的工作 (例如维修, 更换工具等等), 以及搬运、保存电动工具之前都必须从机器中取出蓄电池。无意间操作开关可能会造成伤害。

为充电电池充电

- ▶ 请只使用在技术参数中列出的充电器。只有这些充电器才适用于本电动工具上的锂离子电池。

提示: 充电电池在交货时只完成部分充电。首度使用电动工具之前, 必须先充足充电电池的电量以确保充电电池的功率。

可以随时为锂离子电池充电, 不会缩短电池的使用寿命。如果充电过程突然中断, 也不会损坏电池。本锂离子电池配备了电池电子保护装置 "Electronic Cell Protection (ECP)", 可以防止电池过度放电。电池的电量如果用尽了, 保护开关会自动关闭电动工具: 安装在机器上的工具刀头会停止转动。

- ▶ 电动工具被关闭之后, 切勿继续按住起停开关。否则可能会损坏电池。

请注意有关作废处理的规定。


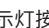
取出蓄电池

本充电电池(5)具备双重锁定功能, 即使不小心触动了充电电池的解锁按钮(6), 充电电池也不会从机器中掉落下来。只要充电电池安装在电动工具中, 就会被弹簧固定在其位置上。

如需取下电池(5), 则请按压解锁按钮(6), 并将电池从电动工具中拔出。在此过程中请勿过度用力。

充电电池电量指示灯

充电电池电量指示灯的绿色LED灯显示充电电池的电量。基于安全原因, 只能在电动工具静止时检查充电电池的电量。

按压充电电量指示灯按钮或, 来显示充电电量。也可以在充电电池取下时操作。

如果按压充电电量指示灯按钮后没有LED灯亮起, 则说明充电电池损坏, 必须进行更换。

充电电池型号GBA 18V...



LED指示灯	电量
3个绿灯常亮	60-100 %
2个绿灯常亮	30-60 %
1个绿灯常亮	5-30 %
1个绿灯闪烁	0-5 %

充电电池型号ProCORE18V...



LED指示灯	电量
5个绿灯常亮	80-100 %
4个绿灯常亮	60-80 %
3个绿灯常亮	40-60 %
2个绿灯常亮	20-40 %
1个绿灯常亮	5-20 %

LED指示灯**电量**

1个绿灯闪烁

0-5 %

**装入Bluetooth® (蓝牙) 低能耗模块
GCY 42 (附件)**

有关蓝牙® Low Energy Module (低能耗模块)
GCY 42的信息请见相应的使用说明。

更换刀具 (参见插图A-B)

- ▶ 在电动工具上进行任何维护的工作 (例如维修, 更换工具等等), 以及搬运、保存电动工具之前都必须从机器中取出蓄电池。无意间操作开关可能会造成伤害。
- ▶ 安装工具刀头时请务必将其牢牢地插在工具夹头上。如果工具刀头未牢固地插在工具夹头中, 可能在拧转螺丝时松脱。

将工具刀头(10)推到工具夹头(1)的四角段上。

运行**功能原理**

通过齿轮箱和冲击机构上方的电机驱动工具夹头(1)及工具刀头。

工作过程共分为两个阶段:

拧螺丝和拧紧 (冲击机构工作)。

一旦螺丝咬入工件中而且电机承受负荷, 冲击机构便投入工作。冲击机构把电机的力转化为均匀的旋转冲击。松开螺丝或螺母时, 整个过程以反向进行。

状态指示灯

电动工具状态指示灯(11)	含义/原因	解决方案
绿色	状态正常	-
黄色	已达到临界温度或充电电池的电量几乎耗尽	让电动工具空转、冷却或尽快更换充电电池或为其充电
亮红光	电动工具过热或充电电池电量耗尽	让电动工具冷却或更换充电电池或为其充电
闪烁光	电动工具已与移动终端设备连接或正在传输设置	-

转速预选

用转速预选按钮(16)可以从3个档位中预选所需的转速。反复按压按钮(16), 直到所需设置在转速显示(17)上亮起。所选设置将被存储。

GDS 18V-1000 C / GDS 18V-1050 HC:

您也可以通过Bosch Toolbox App预选转速。

正确的转速必须视工件材料和工作条件而定, 唯有实际操作才能够找出最合适的转速。

以下表格中的数据只供参考。

投入使用

- ▶ 请始终将电动工具侧面放置, 不要将其放到充电电池上。视所使用的工具刀头和充电电池而定, 可以翻倒电动工具。

安装充电电池

提示: 如果使用的充电电池与电动工具不匹配, 则可能会导致功能失灵或电动工具损坏。

将充好电的充电电池(5)推入电动工具脚座中, 直至充电电池牢牢锁定。

调整旋转方向 (见图片E)

通过正逆转开关(2)可以更改电动工具的旋转方向。按下起停开关(8)后无法更改。

正转: 拧入螺丝并拧紧螺母时, 向左按压正逆转开关(2)直至限位。

逆转: 松开或拧出螺丝和螺母时, 向右按压正逆转开关(2)直至极限位置。

调整转速 / 冲击次数

可以无级调节已接通电动工具的转速 / 冲击次数, 视按压起停开关(8)的力道程度决定。

以较小的力按压起停开关(8)时, 转速 / 冲击次数较低。增强施加在起停开关上的压力, 可以提高机器的转速 / 冲击次数。

开动/关闭

将电动工具**投入使用**时按压起停开关(8)并按住。

轻按或是把电源开关(8)按到底时, 工作灯(15)会亮起, 在照明状况不佳的环境中可以借此照亮工作区域。

关闭电动工具时, 请松开起停开关(8)。

用户界面 (参见插图D-E)**GDS 18V-1000 C / GDS 18V-1050 HC:**

用户界面(7)用于预选转速和预选工作模式以及显示电动工具的状态。

等级的转速基本设置		
1	2	3
[转/分钟]	[转/分钟]	[转/分钟]
转速等级数量		

3 0-1 100 0-2 300 0-3 400

利用转速预选按钮(16)也可以在运行过程中预选所需的转速。

接通工作灯

GDS 18V-1000 / GDS 18V-1050 H:

接通或关闭工作灯(15)时, 请按压工作灯按钮(13)。

▶ 勿直视工作灯, 强光会刺眼。

选择工作模式

GDS 18V-1000 C / GDS 18V-1050 HC:

电动工具拥有2个预定义的工作模式A和B(12)。您还可以通过Bosch Toolbox App在A和B(12)工作模式下针对不同的应用情况进行编程和调整现有的模式。

如要在工作模式A和B(12)之间切换, 请按压按钮(14)。

工作提示

- ▶ 先关闭电动工具, 然后再放置在螺母/螺栓上。旋转的工具刀头可能会滑开。
- ▶ 装入了Bluetooth® (蓝牙) 低能耗模块 GCY 42 (附件) 的电动工具配有一个无线接口。必须注意本地运行限制, 例如在飞机上或医院里。

扭矩大小和冲击时间长短有关。最大扭矩是所有通过冲击所产生的单个扭矩的总和。在冲击约6-10秒后, 扭矩可以达到最大。超过这段时间, 拧紧扭矩只略微增加。

最大螺栓拧紧扭矩的标准值

所提供的数据的单位是牛米, 数据是由切削截面积运算所得; 屈服点的利用为百分之90% (在摩擦系数 $\mu_{\text{共}} = 0.12$)。随时用扭矩扳手检查拧紧扭矩。

强度等级根据 DIN 267	标准螺丝					高强度螺丝					
	3.6	4.6	5.6	4.8	6.6	5.8	6.8	6.9	8.8	10.9	12.9
M10	13	17.5	22	23	26	29	35	39	47	65	78
M12	22.6	30	37.6	40	45	50	60	67	80	113	135
M14	36	48	60	65	72	79	95	107	130	180	215
M16	55	73	92	98	110	122	147	165	196	275	330
M18	75	101	126	135	151	168	202	227	270	380	450
M20	107	143	178	190	214	238	286	320	385	540	635
M22	145	190	240	255	290	320	385	430	510	715	855
M24	185	245	310	325	370	410	490	455	650	910	1100

建议

把大的、长的螺丝拧入坚硬的物料中之前, 必须根据螺纹的中心直径预钻孔, 预钻孔的深度大概为螺丝长度的2/3。

提示: 注意不要让金属小零件进入电动工具。

使用低转速长时间操作之后, 应该让电动工具以最大转速空转约3分钟来帮助机器冷却。

正确使用充电电池的提示

充电电池应防潮、防水。

充电电池必须储存在-20 °C至50 °C的环境中。夏天不得将充电电池搁置在汽车中。

充电后如果充电电池的使用时间明显缩短, 代表充

必须测量每个拧紧扭矩的持续冲击时间。总是需要用扭矩扳手检查实际达到的拧紧扭矩。

使用硬垫、弹簧垫或软垫拧转

如果尝试测量一个冲击过程中达到的各个扭矩并记载在一张图表上, 可以得到扭矩变化的曲线。曲线的最高点是可达到的最大扭矩, 上升的线段则代表到达最大扭矩所需的时间。

扭矩曲线的走向受以下因素影响:

- 螺栓/螺母的强度
- 垫片的种类 (圆垫片、碟形垫片、密封圈)
- 即将被拧入螺栓的物料的材质
- 螺栓是否涂抹了润滑油

综合以上因素, 大概可以归类出下列的工作状况:

- **硬垫拧转**, 是指在使用垫片的前提下将金属螺栓拧入金属物料中。经过短暂的冲击之后便可以到达最大扭矩 (比较陡的上升曲线)。不必要的延长冲击时间只会损坏机器。
- **弹簧垫拧转**, 是指在使用了弹簧圈、碟形垫片、双头螺栓、带圆锥座的螺栓/螺母以及延长件等的情况下将金属螺栓拧入金属物料中。
- **软垫拧转**, 以下几个例子都属于软垫拧转: 将金属螺栓拧入木材中, 或者拧螺栓时使用了铅垫片、纤维垫片。

弹簧垫拧转和软垫拧转的最大扭矩小于硬垫拧转的最大扭矩。而且前者需要的冲击时间明显超越后者。

电电池已经损坏, 必须更换新的充电电池。

请注意有关废弃处理的规定。

梯子夹

使用梯子夹(4)可以把电动工具挂到比如梯子上。



必须以2.0-2.5牛米的拧紧力矩拧紧梯子夹。

通过应用程序进行控制

GDS 18V-1000 C / GDS 18V-1050 HC:

电动工具可以装备蓝牙®模块, 通过蓝牙®接口将数据无线传输给特定的移动终端设备 (比如智能手机、平板电脑)。

为了能够通过蓝牙®控制电动工具，您需要启用博世应用程序“Bosch Toolbox”。通过相应的应用程序商店（Apple App Store、Google Play Store）下载应用程序。

然后在应用程序中选择子项目“My Tools”。移动终端设备的显示屏显示连接电动工具和终端设备的所有其他步骤。

建立起至移动终端设备的连接后，可以使用以下功能：

- 注册和个性化设置
- 状态检查，警告信息输出
- 通用信息和设置
- 管理
- 设置转速级
- 工作模式设置

维修和服务

维护和清洁

- ▶ **定期清洁电动工具的通风间隙。**电动机风扇会将灰尘吸进机壳，过多的金属粉末沉积会导致电气危险。
- ▶ **在电动工具上进行任何维护的工作（例如维修、更换工具等等），以及搬运、保存电动工具之前都必须从机器中取出蓄电池。**无意间操作开关可能会造成伤害。
- ▶ **电动工具和通气孔必须随时保持清洁，以确保工作效率和工作安全。**

客户服务和应用咨询

本公司顾客服务处负责回答有关本公司产品的修理、维护和备件的问题。备件的展开图纸和信息也可查看：www.bosch-pt.com

博世应用咨询团队乐于就我们的产品及其附件问题提供帮助。

询问和订购备件时，务必提供机器铭牌上标示的10位数物品代码。

中国大陆

博世电动工具（中国）有限公司

中国 浙江省 杭州市

滨江区 滨康路567号

102/1F 服务中心

邮政编码：310052

电话：(0571)8887 5566 / 5588

传真：(0571)8887 6688 x 5566# / 5588#

电邮：bsc.hz@cn.bosch.com

www.bosch-pt.com.cn

制造商地址：

Robert Bosch Power Tools GmbH

罗伯特·博世电动工具有限公司

70538 Stuttgart / GERMANY

70538 斯图加特 / 德国

其他服务地址请见：

www.bosch-pt.com/serviceaddresses

搬运

随着机器一起供货的锂离子充电电池必须符合危险废物法规。使用者无须另外使用保护包装便可以运送该充电电池。

但是如果将它交由第三者运送（例如：寄空运或委托运输公司）则要用特殊的包装和标示。此时必须向危险废物专家请教有关寄送危险物品的相关事宜。

确定充电电池的外壳未受损后，才可以寄送充电电池。粘好未加盖的触点并包装好充电电池，不可以让充电电池在包装中晃动。必要时也得注意各国有关的法规。

处理废弃物



必须以符合环保的方式，回收再利用损坏的电动工具、充电电池、附件和废弃的包装材料。



不可以把电动工具和充电电池/蓄电池丢入一般的家庭垃圾中！

充电电池/电池：

锂离子：

请注意“搬运”段落中的指示（参见“搬运”，页 54）确认设置。

繁體中文

安全注意事項

電動工具一般安全注意事項

⚠ 警告

請詳讀工作臺及電動工具的所有安全警告與使用說明。若不

遵照以下列出的指示，將可能導致電擊、著火和/或人員重傷。

保存所有警告和說明書以備查閱。

在所有警告中，「電動工具」此一名詞泛指：以市電驅動的（有線）電動工具或是以電池驅動的（無線）電動工具。

工作場地的安全

- ▶ **保持工作場地清潔和明亮。**混亂和黑暗的場地會引發事故。
- ▶ **不要在易爆環境，如有易燃液體、氣體或粉塵的環境下操作電動工具。**電動工具產生的火花會點燃粉塵或氣體。
- ▶ **讓兒童和旁觀者離開後操作電動工具。**注意力不集中會使您失去對工具的控制。

電氣安全

- ▶ **電動工具插頭必須與插座相配。**絕不能以任何方式改裝插頭。需接地的電動工具不能使用任何轉換插頭。未經改裝的插頭和相配的插座將減少電擊危險。

- ▶ 避免人體接觸接地表面，如管道、散熱片和冰箱。如果您身體接地會增加電擊危險。
- ▶ 不得將電動工具暴露在雨中或潮濕環境中。水進入電動工具將增加電擊危險。
- ▶ 不得濫用電線。絕不能用電線搬運、拉動電動工具或拔出其插頭。使電線遠離熱源、油、銳利邊緣或移動零件。受損或纏繞的軟線會增加電擊危險。
- ▶ 當在戶外使用電動工具時，使用適合戶外使用的延長線。適合戶外使用的軟線，將減少電擊危險。
- ▶ 如果在潮濕環境下操作電動工具是不可避免的，應使用剩餘電流動作保護器（RCD）。使用RCD可降低電擊危險。

人身安全

- ▶ 保持警覺，當操作電動工具時關注所從事的操作並保持清醒。當您感到疲倦，或在有藥物、酒精或治療反應時，不要操作電動工具。在操作電動工具時瞬間的疏忽會導致嚴重人身傷害。
- ▶ 使用個人防護裝置。始終佩戴護目鏡。安全裝置，諸如適當條件下使用防塵面具、防滑安全鞋、安全帽、聽力防護等裝置能減少人身傷害。
- ▶ 防止意外起動。確保開關在連接電源和/或電池盒、拿起或搬運工具時處於關閉位置。手指放在已接通電源的開關上或開關處於接通時插入插頭可能會導致危險。
- ▶ 在電動工具接通之前，拿掉所有調節鑰匙或扳手。遺留在電動工具旋轉零件上的扳手或鑰匙會導致人身傷害。
- ▶ 手不要伸展得太長。時刻注意立足點和身體平衡。這樣在意外情況下能很好地控制電動工具。
- ▶ 著裝適當。不要穿寬鬆衣服或佩戴飾品。讓您的衣物及頭髮遠離運動部件。寬鬆衣服、佩飾或長髮可能會捲入運動部件中。
- ▶ 如果提供了與排屑、集塵設備連接用的裝置，要確保他們連接完好且使用得當。使用這些裝置可減少塵屑引起的危險。
- ▶ 切勿因經常使用工具所累積的熟練感而過度自信，輕忽工具的安全守則。任何一個魯莽的舉動都可能瞬間造成人員重傷。

電動工具使用和注意事項

- ▶ 不要濫用電動工具，根據用途使用適當的電動工具。選用適當設計的電動工具會使您工作更有效、更安全。
- ▶ 如果開關不能開啟或關閉工具電源，則不能使用該電動工具。不能用開關來控制的電動工具是危險的且必須進行修理。
- ▶ 在進行任何調整、更換配件或貯存電動工具之前，必須從電源上拔掉插頭並/或取出電池盒。這種防護性措施將減少工具意外起動的危險。
- ▶ 將閒置不用的電動工具貯存在兒童所及範圍之外，並且不要讓不熟悉電動工具或對這些說明不瞭解的人操作電動工具。電動工具在未經培訓的用戶手中是危險的。
- ▶ 保養電動工具與配備。檢查運動件是否調整到位或卡住，檢查零件破損情況和影響電動工具運行

的其他狀況。如有損壞，電動工具應在使用前修好。許多事故由維護不良的電動工具引發。

- ▶ 保持切削刀具鋒利和清潔。保養良好的有鋒利切削刃的刀具不易卡住而且容易控制。
- ▶ 按照使用說明書，考慮作業條件和進行的作業來使用電動工具、配件和工具的刀頭等。將電動工具用於那些與其用途不符的操作可能會導致危險。
- ▶ 把手及握持區應保持乾燥、潔淨，且不得沾染任何油液或油脂。易滑脫的把手及握持區將無法讓您在發生意外狀況時安全地抓緊並控制工具。

電池式工具使用和注意事項

- ▶ 只用製造商規定的充電器充電。將適用於某種電池盒的充電器用到其他電池盒時會發生著火危險。
- ▶ 只有在配有專用電池盒的情況下才使用電動工具。使用其他電池盒會發生損壞和著火危險。
- ▶ 當電池盒不用時，將它遠離其他金屬物體，例如回形針、硬幣、鑰匙、釘子、螺絲或其他小金屬物體，以防一端與另一端連接。電池端部短路會引起燃燒或火災。
- ▶ 在濫用條件下，液體會從電池中濺出；避免接觸。如果意外碰到了，用水沖洗。如果液體碰到了眼睛，還要尋求醫療幫助。從電池中濺出的液體會發生腐蝕或燃燒。
- ▶ 請勿使用已受損或經改裝的電池盒。已受損或經改裝的電池組可能出現無法預期的反應，進而導致著火、爆炸或造成人員受傷。
- ▶ 勿讓電池盒或工具靠近火源或暴露於異常溫度環境中。若是靠近火源或暴露在超過130 °C的環境中可能造成爆炸。
- ▶ 請完全遵照所有的充電說明，電池盒或工具的溫度若是超出指示的規定範圍，請勿進行充電。不當充電或是未在規定的溫度範圍內進行充電，皆可能造成電池損壞並面臨更高的著火風險。

檢修

- ▶ 將您的電動工具送交專業維修人員，必須使用同樣的備件進行更換。這樣將確保所維修的電動工具的安全性。
- ▶ 請勿自行檢修受損的電池盒。電池組應交由製造商或是獲得授權的服務供應商來進行檢修。

起子機安全注意事項

- ▶ 進行作業時，固定釘可能會碰觸到隱藏的配線，請從絕緣握把處拿持電動工具。固定釘接觸到「導電」電線可能導致電動工具外露的金屬部件「導電」，進而使操作人員遭受電擊。
- ▶ 使用合適的偵測裝置偵察隱藏的電線，或者向當地的相關單位尋求支援。接觸電線可能引起火災並讓操作者觸電。若損壞瓦斯管會引起爆炸。如果水管被刺穿會導致財物損失。
- ▶ 請牢牢握緊電動工具。旋緊與鬆開螺栓時，瞬間可能有較大的反作用力。
- ▶ 固定好工件。使用固定裝置或老虎鉗固定工件，會比用手持握工件更牢固。

- ▶ 必須等待電動工具完全靜止後才能將它放下。嵌件工具可能卡住而使電動工具失控。
- ▶ 如果充電電池損壞了，或者未按照規定使用充電電池，充電電池中會散發出有毒蒸氣。充電電池可能起火或爆炸。工作場所必須保持空氣流通，如果身體有任何不適必須馬上就醫。充電電池散發的蒸氣會刺激呼吸道。
- ▶ 切勿拆開充電電池。可能造成短路。
- ▶ 尖銳物品（例如釘子或螺絲起子）或是外力皆有可能造成充電電池損壞。進而導致內部短路而發生電池起火、冒煙、爆炸或過熱等事故。
- ▶ 僅可使用產品的原廠充電電池。如此才可依照產品提供過載保護。



保護充電電池免受高溫（例如長期日照）、火焰、污垢、水液和濕氣的侵害。有爆炸及短路之虞。



- ▶ 作業期間，嵌件工具可能發燙！更換嵌件工具時，人員可能灼傷。取出嵌件工具時，請使用防護手套。
- ▶ 小心！使用電動工具時若開啟 Bluetooth® 功能，將可能對其他裝置或設備、飛機以及醫療器材（例如心律調節器、助聽器等）產生干擾。同樣亦無法完全排除對鄰近之人員或動物造成身體危害的可能性。請勿在醫療器材、加油站、化學設備、爆炸危險場所以及易爆環境等處附近，使用電動工具的 Bluetooth® 功能。請勿在飛機上使用電動工具的 Bluetooth® 功能。應避免直接貼靠在身體部位旁的長時間持續操作。

Bluetooth® 一詞及其標誌（商標）為 Bluetooth SIG, Inc. 所擁有之註冊商標。Robert Bosch Power Tools GmbH 對於此詞彙／標誌之任何使用均已取得授權。

產品和功率描述



請詳讀所有安全注意事項和指示。如未遵守安全注意事項與指示，可能導致火災、人員遭受電擊及／或重傷。

技術性數據

充電式衝擊鑽／起子機		GDS 18V-1000	GDS 18V-1050 H	GDS 18V-1000 C	GDS 18V-1050 HC
產品機號		3 601 JJ8 3..	3 601 JJ8 5..	3 601 JJ8 0..	3 601 JJ8 2..
額定電壓	V=	18	18	18	18
無負載轉速 ^{A)}					
- 設定 1	次 / 分	0-800	0-800	0-800	0-800
- 設定 2	次 / 分	0-1200	0-1200	0-1300	0-1300
- 設定 3	次 / 分	0-1750	0-1750	0-1750	0-1750
衝擊次數 ^{A)}					
- 設定 1	次 / 分	0-1600	0-1600	0-1600	0-1600
- 設定 2	次 / 分	0-2400	0-2400	0-2300	0-2300
- 設定 3	次 / 分	0-2600	0-2600	0-2600	0-2600

請留意操作說明書中最前面的圖示。

依規定使用機器

本電動工具適用於旋緊和鬆開螺栓，並且可以旋緊和鬆開規定尺寸內的螺母。

電動工具若有搭載 Bluetooth® Low Energy Module **GCY 42**，即可透過 Bluetooth® 無線技術，與終端行動裝置傳輸資料和設定。

插圖上的機件

機件的編號和電動工具詳解圖上的編號一致。

- (1) 工具夾座
- (2) 正逆轉開關
- (3) 藍牙® Low Energy Module 的護蓋 **GCY 42**
- (4) 掛梯夾
- (5) 充電電池^{a)}
- (6) 充電電池解鎖按鈕^{a)}
- (7) 使用者介面
- (8) 電源開關
- (9) 把手（絕緣握柄）
- (10) 嵌件工具（例如套筒扳手）^{a)}

使用者介面

- (11) 電動工具狀態指示器
- (12) 模式指示器
- (13) 工作燈按鈕
(GDS 18V-1000、GDS 18V-1050 H)
- (14) 模式按鈕
(GDS 18V-1000 C、GDS 18V-1050 HC)
- (15) 工作燈
- (16) 轉速預設按鈕
- (17) 轉速預設檔位指示器

a) 圖表或說明上提到的配件，並不包含在基本的供貨範圍中。本公司的配件清單中有完整的配件供應項目。

充電式衝擊鑽 / 起子機		GDS 18V-1000	GDS 18V-1050 H	GDS 18V-1000 C	GDS 18V-1050 HC
扭力 ^{A)}					
- 設定 1	Nm	0-350	0-350	0-350	0-350
- 設定 2	Nm	0-700	0-750	0-650	0-650
- 設定 3	Nm	0-1 000	0-1 050	0-1 000	0-1 050
最大旋緊扭力 ^{A)}	Nm	1000	1050	1000	1050
最大旋鬆扭力 ^{A)}	Nm	1600	1700	1600	1700
機器螺栓直徑	mm	M14-M24	M14-M24	M14-M24	M14-M24
工具夾座		■ ½"	■ ¾"	■ ½"	■ ¾"
重量符合 EPTA-Procedure 01:2014 ^{B)}	kg	3.3-4.4	3.3-4.4	3.3-4.4	3.3-4.4
充電狀態下的建議環境溫度	°C	0 ... +35	0 ... +35	0 ... +35	0 ... +35
操作狀態下以及存放狀態下的容許環境溫度	°C	-20 ... +50	-20 ... +50	-20 ... +50	-20 ... +50
相容的充電電池		GBA 18V... ProCORE18V...	GBA 18V... ProCORE18V...	GBA 18V... ProCORE18V...	GBA 18V... ProCORE18V...
為確保最大效能而建議使用的充電電池		ProCORE18V... ≥ 5.5 Ah	ProCORE18V... ≥ 5.5 Ah	ProCORE18V... ≥ 5.5 Ah	ProCORE18V... ≥ 5.5 Ah
建議使用的充電器		GAL 18... GAX 18... GAL 36...	GAL 18... GAX 18... GAL 36...	GAL 18... GAX 18... GAL 36...	GAL 18... GAX 18... GAL 36...
資料傳輸					
藍牙 ^{C)}		-	-	藍牙® 4.1 (低功耗)	藍牙® 4.1 (低功耗)
訊號間隔時間	秒	-	-	8	8
訊號最遠傳送範圍 ^{D)}	m	-	-	30	30

A) 於 20-25 °C 配備充電電池 ProCORE18V 8.0Ah 時測得。

B) 以 GBA 18V 1.5Ah 和 GBA 18V 12Ah 測量所得

C) 終端行動裝置必須與 Bluetooth® (藍牙) 低功耗設備 (4.1 版) 相容，並支援 Generic Access Profile (GAP)。

D) 此傳送範圍受外在環境條件 (包含您所使用之接收裝置) 的影響而有極大差異。在密閉空間內，諸如牆面、置物櫃、提箱等物品中的金屬部件會阻礙藍牙® 功能的傳輸，而使訊號傳送範圍明顯縮小。

安裝

- ▶ 在電動工具上進行任何維護的工作 (例如維修，更換工具等) 以及搬運和儲存電動工具之前，都必須電動工具中取出充電電池。若是不小心觸動起停開關，可能造成人員受傷。

為充電電池進行充電

- ▶ 只能選用技術性數據裡所列出的充電器。僅有這些充電器適用於電動工具所使用的鋰離子充電電池。

提示：出貨時充電電池已部分充電。首度使用電動工具之前，請先用充電器將充電電池充飽電以確保充電電池蓄滿電力。

鋰離子充電電池可隨時充電，不會縮短電池的使用壽命。如果突然中斷充電，電池也不會損壞。

鋰離子充電電池配備了電池保護裝置「Electronic Cell Protection (ECP)」，可以防止充電電池過度

放電。充電電池的電量如果用盡了，保護開關會自動關閉電動工具；嵌件工具會停止轉動。

- ▶ 電動工具自動關機後，請勿再按壓電源開關。否則充電電池可能會損壞。

請您遵照廢棄物處理相關指示。



取出充電電池

本充電電池 (5) 具備了雙重鎖定功能，即使不小心按壓了充電電池解鎖按鈕 (6)，充電電池也不會從機器中掉落出來。固定彈簧會把充電電池夾緊在機器中。

若要取出充電電池 (5)，請按壓解鎖按鈕 (6)，然後將充電電池抽出電動工具。**不可以強行拉出充電電池。**

充電電池的電量指示器

充電電池的電量指示器透過綠色 LED 燈告知充電電池的目前電量。基於安全顧慮，務必在電動工具完全靜止時才能檢查充電電池的電量。

按一下電量指示器按鈕  或 , 即可顯示目前的電量。即使已取出充電電池, 此項功能仍可正常運作。

按壓電量顯示按鈕後, LED 燈若未亮起, 即表示充電電池故障, 必須予以更換。

充電電池型號 GBA 18V...



LED 燈	容量
3 顆綠燈持續亮起	60-100 %
2 顆綠燈持續亮起	30-60 %
1 顆綠燈持續亮起	5-30 %
1 顆綠燈呈閃爍狀態	0-5 %

充電電池型號 ProCORE18V...



LED 燈	容量
5 顆綠燈持續亮起	80-100 %
4 顆綠燈持續亮起	60-80 %
3 顆綠燈持續亮起	40-60 %
2 顆綠燈持續亮起	20-40 %
1 顆綠燈持續亮起	5-20 %
1 顆綠燈呈閃爍狀態	0-5 %

設置 Bluetooth® Low Energy Module GCY 42 (配件)

如需 Bluetooth® Low Energy Module GCY 42 的相關資訊, 請詳讀其操作說明書。

切換工具 (請參考圖 A-B)

- ▶ 在電動工具上進行任何維護的工作 (例如維修, 更換工具等) 以及搬運和儲存電動工具之前, 都必須電動工具中取出充電電池。若是不小心觸動起停開關, 可能造成人員受傷。
- ▶ 裝入嵌件工具時務必要確認它是否牢牢地固定在工具夾頭上。嵌件工具若未牢固地插在工具夾頭中, 可能會在轉動螺栓時鬆脫。

請將嵌件工具 (10) 推至工具夾座 (1) 的方形接頭上。

顯示目前狀態

電動工具的狀態指示器 (11)	代表意義/原因	解決辦法
綠色	正常狀態	-
黃色	已達到臨界溫度或充電電池的電量即將用盡	讓電動工具空轉並降溫冷卻, 或是儘快更換充電電池/為其充電
亮起紅燈	電動工具過熱或充電電池的電量耗盡	讓電動工具降溫冷卻, 或是更換充電電池/為其充電

操作

運作原理

工具夾頭 (1) 裝上嵌件工具後, 是由電動馬達透過齒輪裝置及撞擊裝置進行驅動。

運作流程分為兩個階段:

旋入和旋緊 (撞擊裝置同時運作)。

當螺絲一咬入工件中且馬達開始負載時, 撞擊裝置便開始運作。撞擊裝置把馬達的傳動力轉換為均勻的旋轉式敲擊動作。鬆開螺栓或螺母時, 整個運作過程是反向進行。

操作機器

- ▶ 擺放電動工具時一律側面朝下, 並切勿將它置於充電電池之上。視您所使用的嵌件工具及充電電池而定, 電動工具可能會傾倒。

安裝充電電池

提示: 若是使用非本電動工具適用的充電電池, 可能導致電動工具功能異常或損壞。

請將充好電的充電電池 (5) 推入電動工具底座, 讓充電電池確實卡上。

調整旋轉方向 (請參考圖 E)

透過正逆轉開關 (2) 即可變更電動工具的旋轉方向。但按下起停開關 (8) 時, 將無法這樣做。

正轉: 若要旋入螺栓及旋緊螺母, 請將正逆轉開關 (2) 往左推到底。

逆轉: 若要鬆開或旋出螺栓與螺母, 請將正逆轉開關 (2) 往右推到底。

調整轉速/衝擊次數

您可為已啟動的電動工具無段調控轉速/衝擊次數, 轉速是由按壓起停開關 (8) 的深度決定。

輕按起停開關 (8) 時, 轉速/衝擊次數較低。逐漸在開關上加壓, 轉速/衝擊次數也會跟著提高。

啟動/關閉

按下電源開關 (8) 不要放開, 即可讓電動工具持續運轉。

輕按起停開關 (8) 或完全按下時, 工作燈 (15) 隨即亮起, 可照亮光線不足的工作區域。

放開起停開關 (8), 即可讓電動工具停止運轉。

使用者介面 (請參考圖 D-E)

GDS 18V-1000 C / GDS 18V-1050 HC:

使用者介面 (7) 可用來預設轉速和工作模式並且顯示電動工具的目前狀態。

電動工具的狀態指示器 (11)	代表意義/原因	解決辦法
藍色閃爍	電動工具已與行動終端裝置連線，或正在傳輸設定	-

轉速設定

轉速預設按鈕 (16) 可預設所需轉數，共分為 3 個檔速。請連續按壓按鈕 (16)，直到轉數顯示器 (17) 中出現所需設定的記號。工具機將自動記憶所選設定。

GDS 18V-1000 C / GDS 18V-1050 HC:

您亦可透過 Bosch Toolbox App 來預設轉速。合適的轉速會因物料或工作狀況而不同，唯有實際操作才能夠找到最佳設定。

以下表格中的數據僅供參考。

	各檔位的轉速基本設定		
	1	2	3
	[次/分]	[次/分]	[次/分]

轉速檔位數量

3 0-1 100 0-2 300 0-3 400
利用轉速預設按鈕 (16) 即使是在工具運作期間，亦可按照需求設定轉速。

開啟工作燈

GDS 18V-1000 / GDS 18V-1050 H:

若要開啟或關閉工作燈 (15)，請按一下工作燈按鈕 (13)。

▶ 勿直視工作燈，強光會刺眼。

選擇工作模式

GDS 18V-1000 C / GDS 18V-1050 HC:

電動工具只有 2 種預定工作模式 **A** 和 **B (12)**。您還可透過 Bosch Toolbox App 在 **A** 和 **B (12)** 工作模式下針對各種不同用途進行設定並修改現有模式。

若要在工作模式 **A** 和 **B (12)** 之間進行切換，請按一下按鈕 (14)。

螺栓最大旋緊扭力參考值

單位是 Nm，從應力截面計算；屈服強度利用率 90 % (摩擦係數 $\mu_{total} = 0.12$)。隨時以扭力扳手檢查旋緊扭力。

強度等級符合 DIN 267	標準螺栓						高強度螺栓				
	3.6	4.6	5.6	4.8	6.6	5.8	6.8	6.9	8.8	10.9	12.9
M10	13	17.5	22	23	26	29	35	39	47	65	78
M12	22.6	30	37.6	40	45	50	60	67	80	113	135
M14	36	48	60	65	72	79	95	107	130	180	215
M16	55	73	92	98	110	122	147	165	196	275	330
M18	75	101	126	135	151	168	202	227	270	380	450
M20	107	143	178	190	214	238	286	320	385	540	635
M22	145	190	240	255	290	320	385	430	510	715	855
M24	185	245	310	325	370	410	490	455	650	910	1100

作業注意事項

- ▶ 電動工具應先停止運轉，然後才放到螺母/螺栓上。轉動中的嵌件工具可能會滑開。
- ▶ 搭載 **藍牙 低功率模組 GCY 42 (選配)** 的電動工具上配有無線介面。請您務必遵守不同場所的使用限制條件，例如在飛機或醫院內。

扭力大小與衝擊時間長短有關。最大扭力是所有經由衝擊所產生的單一扭力的總和。衝擊時間持續 6 至 10 秒鐘後，即達到最大扭力。超過這段時間，旋緊扭力僅微微增加。

必須測量每個旋緊扭力的持續衝擊時間。隨時以扭力扳手，檢查實際達到的旋緊扭力。

硬底旋接、彈性底旋接或軟底旋接

如果將每次衝擊時達到的扭力測量出來並記錄在圖表上，可以看到扭力變化曲線。曲線的最高點是最大扭力。上升線段即為到達最大扭力所需的時間。

扭力曲線的演變會受以下因素影響：

- 螺栓/螺母的強度
- 墊片的種類 (圓形墊片、碟形彈簧、密封件)
- 即將被旋入之底材強度
- 螺栓是否塗抹了潤滑油

綜合以上因素，大致可以歸類出下列的應用方式：

- **硬底旋接**指的是在使用墊片的前提下，將金屬螺栓鎖到金屬材料上。經過短暫的衝擊之後便可以達到最大扭力 (上升曲線較陡)。不必要的延長衝擊時間只會損壞機器。
- **彈性底旋接**指的是在使用彈簧圈、碟形彈簧、無頭螺絲或帶圓錐座的螺栓/螺母以及延長零件等的情況下，將金屬螺栓鎖到金屬材料上。
- **軟底旋接**，像是將金屬螺栓鎖到木材上或者是使用鉛質墊片或纖維墊片。

彈性底旋接和軟底旋接的最大扭力小於硬底旋接的最大扭力。而且前者需要的衝擊時間明顯超越後者。

建議

將較大、較長螺栓旋入堅硬材質之前，應先以螺紋孔底預鑽孔至 2/3 螺栓長度。

提示：不得有任何微小金屬物跑進電動工具內部。使用低轉速長期操作之後，應該讓電動工具以最大轉速空轉約 3 分鐘來幫助機器冷卻。

如何正確地使用充電電池

妥善保護充電電池，避免濕氣和水分滲入。充電電池必須儲存在 -20 °C 至 50 °C 的環境中。夏天不可以把充電電池擱置在汽車中。充電後如果充電電池的使用時間明顯縮短，代表充電電池已經損壞，必須更換新的充電電池。請您遵照廢棄物處理相關指示。

掛梯夾

使用掛梯夾 (4) 即可把電動工具掛在梯子上。



必須以 2.0–2.5 Nm 的旋緊扭力將掛梯夾的螺栓旋緊。

透過 App 操控**GDS 18V-1000 C / GDS 18V-1050 HC:**

本電動工具可能配備藍牙® 模組，透過此一無線技術即可與具有藍牙® 介面的特定行動終端裝置進行資料傳輸 (例如智慧型手機、平板電腦)。

為能透過藍牙® 操控電動工具，您需使用博世應用程式「博世工具箱」。請至相關 App 商店 (Apple App Store、Google Play 商店) 下載此 App。

接著在 App 中選取「My Tools」子項目。終端行動裝置的螢幕上隨即顯示如何將電動工具與終端裝置連線的所有其他步驟。

建立好與終端行動裝置之間的連線後，即可使用以下功能：

- 註冊及植入個人化設置
- 狀態檢測、發送警告訊息
- 提供一般資訊、設定工具
- 管理
- 轉速檔位的設定
- 工作模式的設定

維修和服務**維修和清潔**

- ▶ 請定期清潔電動工具的通風口。電動機風扇會將灰塵吸進機殼，過多的金屬粉末沉積會導致電氣危險。
- ▶ 在電動工具上進行任何維護的工作 (例如維修、更換工具等) 以及搬運和儲存電動工具之前，都必須電動工具中取出充電電池。若是不小心觸動起停開關，可能造成人員受傷。
- ▶ 電動工具和通風口都必須保持清潔，這樣才能夠提高工作品質和安全性。

顧客服務處和顧客諮詢中心

本公司顧客服務處負責回答有關本公司產品的維修、維護和備用零件的問題。以下的網頁中有分解

圖和備用零件相關資料：www.bosch-pt.com

如果對本公司產品及其配件有任何疑問，博世應用諮詢小組很樂意為您提供協助。

當您需要諮詢或訂購備用零件時，請務必提供本產品型號銘牌上 10 位數的產品機號。

台灣

台灣羅伯特博世股份有限公司
建國北路一段90 號6 樓
台北市10491
電話: (02) 7734 2588
傳真: (02) 2516 1176
www.bosch-pt.com.tw

製造商地址:

Robert Bosch Power Tools GmbH
羅伯特·博世電動工具有限公司
70538 Stuttgart / GERMANY
70538 斯圖加特/ 德國

以下更多客戶服務處地址：

www.bosch-pt.com/serviceaddresses

搬運

隨貨附上的鋰離子充電電池受危險物品法的規範。使用者無須另外使用保護包裝便可運送該充電電池。

但是如果將它交由第三者運送 (例如：寄空運或委託運輸公司)，則應遵照包裝與標示的相關要求。此時必須向危險物品專家請教有關寄送危險物品的相關事宜。

確定充電電池的外殼未受損後，才可以寄送充電電池。用膠帶貼住裸露的接點並妥善包裝充電電池，不可以讓充電電池在包裝材料中晃動。同時也應留意各國相關法規。

廢棄物處理

必須以符合環保的方式，將損壞的電動工具、充電電池、配件和包裝材料進行回收再利用。



不可以把電動工具和充電電池/拋棄式電池丟入一般家庭垃圾中！

充電電池/拋棄式電池：**鋰離子：**

請注意「搬運」段落中的指示 (參見「搬運」，頁 60)。

NCC 警語

低功率電波輻射性電機管理辦法

第十二條經型式認證合格之低功率射頻電機，非經許可，公司，商號或使用者均不得擅自變更頻率，加大功率或變更原設計之特性及功能。

第十四條低功率射頻電機之使用不得影響飛航安全及干擾合法通信；經發現有干擾現象時，應立即停用，並改善至無干擾時方得繼續使用。

前項合法通信，指依電信規定作業之無線電信。

低功率射頻電機須忍受合法通信或工業、科學及醫療用電波輻射性電機設備之干擾。

ไทย

คำเตือนเพื่อความปลอดภัย

คำเตือนเพื่อความปลอดภัยทั่วไปสำหรับเครื่องมือไฟฟ้า

คำเตือน อ่านคำเตือนเพื่อความปลอดภัย คำแนะนำ ภาพประกอบ และข้อมูล

จำเพาะทั้งหมดที่จัดส่งมาพร้อมกับเครื่องมือไฟฟ้า การไม่ปฏิบัติตามคำแนะนำทั้งหมดที่ระบุไว้ด้านล่างนี้อาจทำให้ถูกไฟฟ้ดูด เกิดไฟไหม้ และ/หรือได้รับบาดเจ็บอย่างร้ายแรง

เก็บรักษาคำเตือนและคำสั่งทั้งหมดสำหรับเปิดอ่านในภายหลัง

คำว่า "เครื่องมือไฟฟ้า" ในคำเตือนหมายถึง เครื่องมือไฟฟ้าของท่านที่ทำงานด้วยพลังงานไฟฟ้าจากแหล่งจ่ายไฟหลัก (มีสายไฟฟ้า) และเครื่องมือไฟฟ้าที่ทำงานด้วยพลังงานไฟฟ้าจากแบตเตอรี่ (ไร้สาย)

ความปลอดภัยในสถานที่ทำงาน

- ▶ **รักษาสถานที่ทำงานให้สะอาดและมีไฟส่องสว่างดี** สถานที่ที่มีมืดหรือรกรุงรังนำมาซึ่งอุบัติเหตุ
- ▶ **อย่าใช้เครื่องมือไฟฟ้าทำงานในสภาพบรรยากาศที่จุดติดไฟได้** เช่น ในที่มีมีของเหลวไวไฟ ก๊าซ หรือฝุ่น เมื่อใช้เครื่องมือไฟฟ้าจะเกิดประกายไฟซึ่งอาจจุดฝุ่นหรือไอให้ลุกเป็นไฟได้
- ▶ **ขณะใช้เครื่องมือไฟฟ้าทำงาน** ต้องกั้นเด็กและผู้ยี่นดูให้ออกห่าง การหันเหความสนใจอาจทำให้ท่านขาดการควบคุมเครื่องได้

ความปลอดภัยเกี่ยวกับไฟฟ้า

- ▶ **ปลั๊กของเครื่องมือไฟฟ้าต้องเหมาะสมพอดีกับเต้าเสียบ** อย่าตัดแปลงปลั๊กไม่ว่าในลักษณะใดๆ อย่างเด็ดขาด อย่าใช้ปลั๊กพ่วงต่อใดๆ กับเครื่องมือไฟฟ้าที่มีสายดิน ปลั๊กที่ไม่ตัดแปลงและเต้าเสียบที่เข้ากันช่วยลดความเสี่ยงจากการถูกไฟฟ้ดูด
- ▶ **หลีกเลี่ยงอย่าให้ร่างกายสัมผัสกับพื้นผิวที่ต่อสายดินหรือลงกราวด์ไว้** เช่น ท่อ เครื่องทำความร้อน เตา และตู้

เย็น จะเสี่ยงอันตรายจากการถูกไฟฟ้ดูดมากขึ้นหากกระแสไฟฟ้วิ่งผ่านร่างกายของท่านลงดิน

- ▶ **อย่าให้เครื่องมือไฟฟ้าถูกฝนหรืออยู่ในสภาพเปียกชื้น** หากน้ำเข้าในเครื่องมือไฟฟ้า จะเพิ่มความเสี่ยงจากการถูกไฟฟ้ดูด
- ▶ **อย่าใช้สายไฟฟ้าในทางที่ผิด** อย่าใช้สายไฟฟ้าเพื่อยึด ดึง หรือถอดปลั๊กเครื่องมือไฟฟ้า กั้นสายไฟฟ้าออกจากความร้อน น้ำมัน ขอบแหลมคม หรือชิ้นส่วนที่เคลื่อนที่ สายไฟฟ้าที่ชำรุดหรือพันกันยุ่งเพิ่มความเสี่ยงจากการถูกไฟฟ้ดูด
- ▶ **เมื่อใช้เครื่องมือไฟฟ้าทำงานกลางแจ้ง** ให้ใช้สายไฟต่อที่เหมาะสมสำหรับการใช้งานกลางแจ้ง การใช้สายไฟต่อที่เหมาะสมสำหรับงานกลางแจ้งช่วยลดอันตรายจากการถูกไฟฟ้ดูด
- ▶ **หากไม่สามารถหลีกเลี่ยงการใช้เครื่องมือไฟฟ้าทำงานในสถานที่เปียกชื้นได้ ให้ใช้สวิตซ์ตัดวงจรเมื่อเกิดการรั่วไหลของไฟฟ้จากสายดิน (RCD)** การใช้สวิตซ์ตัดวงจรเมื่อเกิดการรั่วไหลของไฟฟ้จากสายดินช่วยลดความเสี่ยงต่อการถูกไฟฟ้ดูด

ความปลอดภัยของบุคคล

- ▶ **ท่านต้องอยู่ในสภาพเตรียมพร้อม ระมัดระวังในสิ่งที่ท่านกำลังทำอยู่ และมีสติขณะใช้เครื่องมือไฟฟ้าทำงาน** อย่าใช้เครื่องมือไฟฟ้าขณะที่ท่านกำลังเหนื่อย หรืออยู่ภายใต้การครอบงำของฤทธิ์ของยาเสพติด แอลกอฮอล์ และยา เมื่อใช้เครื่องมือไฟฟ้าทำงานในชั่วขณะที่ท่านขาดความเอาใจใส่อาจทำให้บุคคลบาดเจ็บอย่างรุนแรงได้
- ▶ **ใช้อุปกรณ์ปกป้องร่างกาย สวมแว่นตานิยมกันแสง** อุปกรณ์ปกป้อง เช่น หน้ากากกันฝุ่น รองเท้ากันลื่น หมวกแข็ง หรือประภทกันเสียงดังที่ใชตามความเหมาะสมกับสภาพการทำงาน จะลดการบาดเจ็บทางร่างกาย
- ▶ **ป้องกันการติดเครื่องโดยไม่ตั้งใจ** ตรวจสอบให้แน่ใจว่าสวิตซ์อยู่ในตำแหน่งปิดก่อนเชื่อมต่อเข้ากับแหล่งจ่ายไฟ และ/หรือแบตเตอรี่แพค ยกหรือถือเครื่องมือถือเครื่องโดยใช้นิ้วหัวที่สวิตซ์ หรือเสียบปลั๊กไฟฟ้ขณะสวิตซ์เปิดอยู่ อาจนำไปสู่อุบัติเหตุที่ร้ายแรงได้
- ▶ **นำเครื่องมือปรับแต่งหรือประแจปากตายออกก่อนเปิดสวิตซ์เครื่องมือไฟฟ้า** เครื่องมือหรือประแจปากตายที่วางอยู่กับส่วนของเครื่องที่ก้าลังหมุนจะทำให้บุคคลบาดเจ็บได้
- ▶ **อย่าเอื้อมไกลเกินไป** ตั้งทำยี่นที่มั่นคงและวางน้ำหนักให้สมดุลตลอดเวลา ในลักษณะนี้ท่านสามารถควบคุมเครื่องมือไฟฟ้าในสถานการณ์ที่ไม่คาดคิดได้ดีกว่า

- ▶ แต่งกายอย่างเหมาะสม อย่าใส่เสื้อผ้าหลวมหรือสวมเครื่องประดับ เอาผมและเสื้อผ้าออกจากชิ้นส่วนที่เคลื่อนที่ เสื้อผ้าหลวม เครื่องประดับ และผม ยาวอาจเข้าไปติดในชิ้นส่วนที่เคลื่อนที่
- ▶ หากเครื่องมือไฟฟ้ามีข้อเชื่อมต่อกับเครื่องดูดฝุ่นหรือเครื่องเก็บผง ให้ตรวจสอบให้แน่ใจว่าได้เชื่อมต่อและใช้งานอย่างถูกต้อง การใช้อุปกรณ์ดูดฝุ่นช่วยลดอันตรายที่เกิดจากฝุ่นได้
- ▶ เมื่อใช้งานเครื่องบ่อยครั้งจะเกิดความคุ้นเคย อย่าให้ความคุ้นเคยทำให้ท่านเกิดความชะล่าใจและละเลยกฎเกณฑ์ด้านความปลอดภัยในการใช้งานเครื่อง การทำงานอย่างไม่ระมัดระวังอาจทำให้เกิดการบาดเจ็บอย่างร้ายแรงภายในเสี้ยววินาที

การใช้และการดูแลรักษาเครื่องมือไฟฟ้า

- ▶ อย่างผินกำลังเครื่องมือไฟฟ้า ใช้เครื่องมือไฟฟ้าที่ถูกต้องตรงตามลักษณะงานของท่าน เครื่องมือไฟฟ้าที่ถูกต้องจะทำงานได้ดีกว่าและปลอดภัยกว่าในระดับสมรรถภาพที่ออกแบบไว้
- ▶ อย่าใช้เครื่องมือไฟฟ้าถ้าสวิตช์ไม่สามารถเปิดปิดได้ เครื่องมือไฟฟ้าที่ไม่สามารถควบคุมการเปิดปิดด้วยสวิตช์ได้ เป็นเครื่องมือไฟฟ้าที่ไม่ปลอดภัยและต้องส่งซ่อมแซม
- ▶ ก่อนปรับแต่งเครื่อง เปลี่ยนอุปกรณ์ประกอบ หรือเก็บเครื่องเข้าที่ ต้องถอดปลั๊กออกจากแหล่งจ่ายไฟ และ/หรือถอดแบตเตอรี่แพ็คเกจออกจากเครื่องมือไฟฟ้าหากถอดออกได้
มาตรการป้องกันเพื่อความปลอดภัยนี้ช่วยลดความเสี่ยงจากการติดเครื่องโดยไม่ตั้งใจ
- ▶ เมื่อเลิกใช้งานเครื่องมือไฟฟ้า ให้เก็บเครื่องไว้ในที่ที่เด็กหยิบไม่ถึง และไม่อนุญาตให้บุคคลที่ไม่คุ้นเคยกับเครื่องหรือบุคคลที่ไม่ได้อ่านคำแนะนำเหล่านี้ใช้เครื่องมือไฟฟ้าเป็นของอันตรายหากตกอยู่ในมือของผู้ใช้ที่ไม่ได้รับการฝึกฝน
- ▶ บำรุงรักษาเครื่องมือไฟฟ้าและอุปกรณ์ประกอบ ตรวจสอบชิ้นส่วนที่เคลื่อนที่ว่าวางไม่ตรงแนวหรือติดขัดหรือไม่ ตรวจสอบการแตกหักของชิ้นส่วนและสภาพอื่นใดที่อาจมีผลต่อการทำงานของเครื่องมือไฟฟ้า หากชำรุดต้องส่งเครื่องมือไฟฟ้าไปซ่อมแซมก่อนใช้งาน
อุบัติเหตุหลายอย่างเกิดขึ้นเนื่องจากดูแลรักษาเครื่องไม่ดีพอ
- ▶ รักษาเครื่องมือตัดให้คมและสะอาด หากบำรุงรักษาเครื่องมือที่มีขอบตัดแหลมคมอย่างถูกต้อง จะสามารถตัดได้ลื่นไม่ติดขัดและควบคุมได้ง่ายกว่า
- ▶ ใช้เครื่องมือไฟฟ้า อุปกรณ์ประกอบ เครื่องมือ และอุปกรณ์อื่นๆ ตรงตามคำแนะนำเหล่านี้ โดยคำนึงถึง

เงื่อนไขการทำงานและงานที่จะทำ การใช้เครื่องมือไฟฟ้าทำงานที่ต่างไปจากวัตถุประสงค์การใช้งานของเครื่อง อาจนำไปสู่สถานการณ์ที่เป็นอันตรายได้

- ▶ ดูแลคัมจับและพื้นผิวจับให้แห้ง สะอาด และปราศจากคราบน้ำมันและจารบี คัมจับและพื้นผิวจับที่ลื่นทำให้หยิบจับได้ไม่ปลอดภัย และไม่สามารถควบคุมเครื่องมือในสถานการณ์ที่ไม่คาดคิด

การใช้และการดูแลรักษาเครื่องที่ใช้แบตเตอรี่

- ▶ ชาร์จไฟใหม่ด้วยเครื่องชาร์จที่บริษัทผู้ผลิตระบุไว้เท่านั้น
เครื่องชาร์จที่เหมาะสมสำหรับชาร์จแบตเตอรี่แพ็คเกจหนึ่ง หากนำไปชาร์จแบตเตอรี่แพ็คเกจอื่น อาจเกิดไฟไหม้ได้
- ▶ ใช้เครื่องมือไฟฟ้าเฉพาะกับแบตเตอรี่แพ็คเกจที่กำหนดไว้เท่านั้น การใช้แบตเตอรี่แพ็คเกจอื่นเสี่ยงต่อการเกิดไฟไหม้หรือบาดเจ็บ
- ▶ เมื่อไม่ใช้งานแบตเตอรี่แพ็คเกจ ให้เก็บไว้ห่างวัตถุที่เป็นโลหะอื่นๆ เช่น คลิปหนีบกระดาษ เหรียญ กุญแจ ตะปู สกรู หรือวัตถุที่เป็นโลหะขนาดเล็กอื่นๆ ที่สามารถเชื่อมต่อขั้วหนึ่งไปยังอีกขั้วหนึ่งได้
การลัดวงจรของขั้วแบตเตอรี่อาจทำให้เกิดการไหม้หรือไฟลุกได้
- ▶ หากใช้แบตเตอรี่อย่างอาจมีของเหลวไหลออกมาจากแบตเตอรี่ได้ ให้หลีกเลี่ยงการสัมผัส หากสัมผัสโดยบังเอิญ ให้ใช้น้ำล้าง หากของเหลวเข้าตา ให้ขอความช่วยเหลือจากแพทย์ด้วย
ของเหลวที่ไหลออกมาจากแบตเตอรี่อาจทำให้เกิดอาการคันหรือแสบผิวหนังได้
- ▶ อย่าใช้แบตเตอรี่แพ็คเกจหรือเครื่องมือที่ชำรุดหรือดัดแปลง
แบตเตอรี่ที่ชำรุดหรือดัดแปลงอาจแสดงอาการที่ไม่สามารถคาดเดาได้ ส่งผลให้เกิดไฟไหม้ ระเบิด หรือความเสี่ยงต่อการได้รับบาดเจ็บ
- ▶ อย่าให้แบตเตอรี่แพ็คเกจหรือเครื่องมือสัมผัสไฟหรืออุณหภูมิที่สูงเกินไป หากสัมผัสไฟหรืออุณหภูมิที่สูงกว่า 130 °C อาจทำให้เกิดการระเบิดได้
- ▶ ปฏิบัติตามคำแนะนำเกี่ยวกับการชาร์จทั้งหมด และต้องไม่ชาร์จแบตเตอรี่แพ็คเกจหรือเครื่องมือ
นอกช่วงอุณหภูมิที่กำหนดในคำแนะนำ การชาร์จแบตเตอรี่อย่างไม่ถูกวิธีหรือนอกช่วงอุณหภูมิที่กำหนด อาจทำให้แบตเตอรี่เสียหายและเพิ่มความเสี่ยงต่อการเกิดไฟไหม้

การบริการ

- ▶ **ส่งเครื่องมือไฟฟ้าของท่านเข้ารับบริการจากช่างซ่อมที่มีคุณสมบัติเหมาะสม โดยช่างที่ไหลที่เหมือนกันเท่านั้น** ในลักษณะนี้ท่านจะแน่ใจได้ว่าเครื่องมือไฟฟ้าอยู่ในสภาพที่ปลอดภัย
- ▶ **อย่าบำรุงรักษาแบตเตอรี่แพ็คเกจชาร์ตอย่างเด็ดขาด** ต้องส่งไปบริษัทผู้ผลิตหรือศูนย์บริการที่ได้รับอนุญาตทำการบำรุงรักษาแบตเตอรี่แพ็คเกจเท่านั้น

คำเตือนเพื่อความปลอดภัยสำหรับไขควง

- ▶ **เมื่อทำงานในบริเวณที่สกรูอาจสัมผัสสายไฟฟ้าที่ซ่อนอยู่** ต้องจับเครื่องมือไฟฟ้าตรงพื้นผิวจับที่หุ้มฉนวน หากสกรูสัมผัสสายที่ "มีกระแสไฟฟ้า" ไหลผ่าน จะทำให้ชิ้นส่วนโลหะที่ไม่ได้หุ้มฉนวนของเครื่องมือไฟฟ้าเกิด "มีกระแสไฟฟ้า" ด้วย และส่งผลให้ผู้ใช้งานเครื่องมือถูกไฟฟ้าดูดได้
- ▶ **ใช้เครื่องตรวจจับที่เหมาะสมเพื่อตรวจสอบหาสายไฟฟ้าหรือท่อสารหนูปกโลกที่อาจซ่อนอยู่ในบริเวณทำงานหรือติดต่อบริษัทสารหนูปกโลกในพื้นที่เพื่อขอความช่วยเหลือ** การสัมผัสกับสายไฟฟ้าอาจทำให้เกิดไฟไหม้หรือถูกไฟฟ้าดูด การทำให้ท่อแก๊สเสียหายอาจทำให้เกิดระเบิด การเจาะเข้าไปในท่อน้ำ ทำให้ทรัพย์สินเสียหาย
- ▶ **จับเครื่องมือไฟฟ้าให้แน่น** ขณะขันสกรูเข้าและคลายออก อาจเกิดแรงบิดสะท้อนช่วงสั้นๆ อย่างรุนแรงได้
- ▶ **ยึดชิ้นงานให้แน่น** การยึดชิ้นงานด้วยเครื่องหนีบหรือแท่นจับจะมั่นคงกว่าการยึดด้วยมือ
- ▶ **รอให้เครื่องมือไฟฟ้าหยุดสนิทก่อนวางเครื่องลงบนพื้น** เครื่องมือที่ปล่อยอาจติดขัดและทำให้สูญเสียการควบคุมเครื่องมือไฟฟ้า
- ▶ **เมื่อแบตเตอรี่ชาร์ตและนำไปใช้งานอย่างไม่ถูกต้อง** อาจมีไอระเหยออกมาได้ แบตเตอรี่อาจเผาไหม้หรือระเบิดได้ให้สูดอากาศบริสุทธิ์และไปพบแพทย์ในกรณีเจ็บปวด ไอระเหยอาจทำให้ระคายเคืองหรือระคายเคือง
- ▶ **อย่าเปิดแบตเตอรี่** อันตรายจากการลัดวงจร
- ▶ **วัตถุที่แหลมคม ค. ย. เช่น ตะปูหรือไขควง หรือแรงกระทำภายนอก อาจทำให้แบตเตอรี่เสียหายได้** สิ่งเหล่านี้ อาจทำให้เกิดการลัดวงจรภายในและแบตเตอรี่ใหม่ มีควัน ระเบิด หรือร้อนเกินไป
- ▶ **ใช้แบตเตอรี่แพ็คเกจเฉพาะในผลิตภัณฑ์ของผู้ผลิตเท่านั้น** ในลักษณะนี้ แบตเตอรี่แพ็คเกจได้รับการปกป้องจากการใช้งานเกินกำลังซึ่งเป็นอันตราย



ปกป้องแบตเตอรี่จากความร้อน รวมทั้ง ค. ย. เช่น จากการถูกแสงแดดส่องต่อเนื่อง จากไฟ



สิ่งสกปรก น้ำ และความชื้น อันตรายจากการระเบิดและการลัดวงจร

- ▶ **เครื่องมือที่ใช้จากร้านอื่นได้ในขณะใช้งาน! มีความเสี่ยงต่อการได้รับการบาดเจ็บเมื่อเปลี่ยนเครื่องมือ** ถอดเครื่องมือโดยใช้ถุงมือป้องกัน
- ▶ **ระวัง!** การใช้เครื่องมือไฟฟ้าพร้อม Bluetooth® อาจรบกวนอุปกรณ์และเครื่องมืออื่นๆ เครื่องบิน และอุปกรณ์ทางการแพทย์ (เช่น เครื่องกระตุ้นหัวใจ เครื่องช่วยฟัง) นอกจากนี้ยังอาจเกิดความเสียหายต่อคนและสัตว์ในบริเวณใกล้เคียงด้วย อย่าใช้เครื่องมือไฟฟ้าพร้อม Bluetooth® ใกล้อุปกรณ์ทางการแพทย์ สถานที่บริการน้ำมัน โรงงานสารเคมี พื้นที่ที่มีบรรยากาศเสี่ยงต่อการระเบิด และพื้นที่ปฏิบัติการระเบิด อย่าใช้เครื่องมือไฟฟ้าพร้อม Bluetooth® ในเครื่องบิน หลีกเลี่ยงการทำงานเป็นระยะเวลานานตรงบริเวณใกล้ร่างกายโดยตรง

เครื่องหมายข้อความ Bluetooth® และยี่ห้อเป็นเครื่องหมายการค้าจดทะเบียนและเป็นกรรมสิทธิ์ของ Bluetooth SIG, Inc. บริษัท Robert Bosch Power Tools GmbH ได้รับใบอนุญาตใช้งานเครื่องหมายข้อความ/โลโก้ดังกล่าว

รายละเอียดผลิตภัณฑ์และข้อมูลจำเพาะ



อ่านคำเตือนเพื่อความปลอดภัยและคำแนะนำทั้งหมด การไม่ปฏิบัติตามคำเตือนและคำสั่งอาจเป็นสาเหตุให้ถูกไฟฟ้าดูด เกิดไฟไหม้ และ/หรือได้รับบาดเจ็บอย่างร้ายแรง

กรุณาดูภาพประกอบในส่วนหน้าของคู่มือการใช้งาน

ประโยชน์การใช้งานของเครื่อง

เครื่องมือไฟฟ้านี้ใช้สำหรับขันสกรูเข้าและคลายออก รวมทั้งขันนอตให้แน่นและคลายออกในช่วงมิติที่กำหนดไว้

เมื่อมี Bluetooth® Low Energy Module GCY 42 ใส่อยู่นานจะสามารถถ่ายโอนข้อมูลและการตั้งค่าของเครื่องมือไฟฟ้าระหว่างเครื่องมือไฟฟ้าและอุปกรณ์เคลื่อนที่ปลายทางผ่านเทคโนโลยีไร้สาย Bluetooth®

ส่วนประกอบที่แสดงภาพ

ลำดับเลขของส่วนประกอบผลิตภัณฑ์อ้างอิงถึงส่วนประกอบของเครื่องที่แสดงในหน้าภาพประกอบ

- (1) ตามจับเครื่องมือ
- (2) สวิตช์เปลี่ยนทิศทางการหมุน

- (3) ฝาครอบโมดูล Bluetooth® Low Energy GCY 42
- (4) คลิปน้ำ
- (5) แบตเตอรี่แพ็ค^{a)}
- (6) แป้นปลดล็อกแบตเตอรี่^{a)}
- (7) อินเทอร์เน็ตผู้ใช้
- (8) สวิตช์เปิด-ปิด
- (9) ด้ามจับ (พื้นผิวจับหุ้มฉนวน)
- (10) เครื่องมือ (เช่น ประแจกระบอก)^{a)}

อินเทอร์เน็ตผู้ใช้

- (11) ไฟแสดงสถานะเครื่องมือไฟฟ้า
- (12) ไฟแสดงโหมด
- (13) ปุ่มไฟล่องบริเวณทำงาน (GDS 18V-1000, GDS 18V-1050 H)
- (14) ปุ่มโหมด (GDS 18V-1000 C, GDS 18V-1050 HC)
- (15) ไฟล่องบริเวณทำงาน
- (16) ปุ่มการตั้งค่าความเร็วรอบล่วงหน้า
- (17) ไฟแสดงระดับการเลือกความเร็ว

a) อุปกรณ์ประกอบที่แสดงภาพหรืออธิบายไม่รวมอยู่ในการจัดส่งมาตรฐาน กรุณาดูอุปกรณ์ประกอบทั้งหมดในรายการแสดงอุปกรณ์ประกอบของเรา

ข้อมูลทางเทคนิค

ข้อกำหนดทางกายภาพ		GDS 18V-1000	GDS 18V-1050 H	GDS 18V-1000 C	GDS 18V-1050 HC
หมายเลขสินค้า		3 601 JJ8 3..	3 601 JJ8 5..	3 601 JJ8 0..	3 601 JJ8 2..
แรงดันไฟฟ้าฟิสิกส์	V=	18	18	18	18
ความเร็วรอบเดินตัวเปล่า ^{A)}					
- การตั้งค่า 1	นาที ⁻¹	0-800	0-800	0-800	0-800
- การตั้งค่า 2	นาที ⁻¹	0-1200	0-1200	0-1300	0-1300
- การตั้งค่า 3	นาที ⁻¹	0-1750	0-1750	0-1750	0-1750
อัตรากระแสแรง ^{A)}					
- การตั้งค่า 1	นาที ⁻¹	0-1600	0-1600	0-1600	0-1600
- การตั้งค่า 2	นาที ⁻¹	0-2400	0-2400	0-2300	0-2300
- การตั้งค่า 3	นาที ⁻¹	0-2600	0-2600	0-2600	0-2600
แรงบิด ^{A)}					
- การตั้งค่า 1	นิวตันเมตร	0-350	0-350	0-350	0-350
- การตั้งค่า 2	นิวตันเมตร	0-700	0-750	0-650	0-650
- การตั้งค่า 3	นิวตันเมตร	0-1000	0-1050	0-1000	0-1050
แรงบิดในการขันสูงสุด ^{A)}	นิวตันเมตร	1000	1050	1000	1050
แรงคลายสูงสุด ^{A)}	นิวตันเมตร	1600	1700	1600	1700
Ø-น็อต	มม.	M14-M24	M14-M24	M14-M24	M14-M24
ด้ามจับเครื่องมือ		■ ½"	■ ¾"	■ ½"	■ ¾"

ใบคางกระแทกโรลสาย		GDS 18V-1000	GDS 18V-1050 H	GDS 18V-1000 C	GDS 18V-1050 HC
น้ำหนักตามระเบียบการ EPTA-Procedure 01:2014 ^{B)}	กก.	3,3-4,4	3,3-4,4	3,3-4,4	3,3-4,4
อุณหภูมิโดยรอบที่แนะนำเมื่อชาร์จ	°C	0 ... +35	0 ... +35	0 ... +35	0 ... +35
อุณหภูมิโดยรอบที่อนุญาตเมื่อใช้งานและระหว่างการเก็บรักษา	°C	-20 ... +50	-20 ... +50	-20 ... +50	-20 ... +50
แบตเตอรี่ที่ใช้งานร่วมกันได้		GBA 18V... ProCORE18V...	GBA 18V... ProCORE18V...	GBA 18V... ProCORE18V...	GBA 18V... ProCORE18V...
แบตเตอรี่ที่แนะนำให้ใช้อย่างเต็มประสิทธิภาพ		ProCORE18V... ≥ 5.5 Ah	ProCORE18V... ≥ 5.5 Ah	ProCORE18V... ≥ 5.5 Ah	ProCORE18V... ≥ 5.5 Ah
เครื่องชาร์จที่แนะนำ		GAL 18... GAX 18... GAL 36...	GAL 18... GAX 18... GAL 36...	GAL 18... GAX 18... GAL 36...	GAL 18... GAX 18... GAL 36...
การถ่ายโอนข้อมูล					
Bluetooth ^{®C)}		-	-	Bluetooth [®] 4.1 (Low Energy)	Bluetooth [®] 4.1 (Low Energy)
ระยะห่างสัญญาณ	วินาที	-	-	8	8
ช่วงสัญญาณสูงสุด ^{D)}	ม.	-	-	30	30

A) ดำเนินการวัด ณ อุณหภูมิ 20–25 °C พร้อมแบตเตอรี่ ProCORE18V 8.0Ah

B) วัดด้วย GBA 18V 1.5Ah และ GBA 18V 12Ah

C) อุปกรณ์เคลื่อนที่ปลายทางต้องเข้ากันได้กับอุปกรณ์ Bluetooth[®]-Low-Energy (เวอร์ชัน 4.1) และสนับสนุน Generic Access Profile (GAP)

D) ช่วงสัญญาณอาจแตกต่างกันมาก ทั้งนี้ขึ้นอยู่กับเงื่อนไขภายนอก รวมทั้งอุปกรณ์รับสัญญาณที่ใช้ ภายในพื้นที่ปิดและเมื่อมีตัวกันที่เป็นโลหะ (เช่น ผนัง ชั้นวางของ กระเป๋าเดินทาง ฯลฯ) ช่วงสัญญาณ Bluetooth[®] อาจลดลงอย่างชัดเจน

การติดตั้ง

- ▶ ถอดแบตเตอรี่ออกจากเครื่องมือไฟฟ้าก่อนทำการปรับแต่งใดๆ ที่เครื่องมือไฟฟ้า (ต. ย. เช่น บำรุงรักษา เปลี่ยนเครื่องมือ ฯลฯ) รวมทั้งเมื่อขนย้ายและเก็บรักษา อันตรายจากการบาดเจ็บหากสวิตช์เปิด-ปิดติดขึ้นอย่างไม่ตั้งใจ

การชาร์จแบตเตอรี่

- ▶ ใช้เฉพาะเครื่องชาร์จแบตเตอรี่ที่ระบุในข้อมูลทางเทคนิคเท่านั้น เฉพาะเครื่องชาร์จแบตเตอรี่เหล่านี้เท่านั้นที่เข้าชุดกับแบตเตอรี่ลิเทียมไอออน ที่ใช้ในเครื่องมือไฟฟ้าของท่าน

หมายเหตุ: แบตเตอรี่แพ็คที่จัดส่งมาถูกชาร์จมาแล้วบางส่วน เพื่อให้แบตเตอรี่แพ็คทำงานได้เต็มประสิทธิภาพ

ต้องชาร์จแบตเตอรี่แพ็ค

ในเครื่องชาร์จแบตเตอรี่ให้เต็มก่อนใช้งานเครื่อง

มือไฟฟ้าของท่านเป็นครั้งแรก

แบตเตอรี่ลิเทียม ไอออน

สามารถชาร์จได้ทุกเวลาโดยอายุการใช้งานจะไม่ลดลง การ

ชาร์จหวัะกระบวนการชาร์จไม่ทำให้แบตเตอรี่แพ็คเสียหาย

“Electronic Cell Protection (ECP)” ช่วยป้องกันไม่ให้

แบตเตอรี่ลิเทียม ไอออน จ่ายกระแสไฟออกอีก

เมื่อแบตเตอรี่แพ็คหมดไฟ วงจรป้องกันจะดับสวิตช์เครื่อง

เครื่องมือที่ใส่อยู่จะไม่หมุนต่อ

- ▶ เมื่อเครื่องมือไฟฟ้าปิดสวิตช์ลงโดยอัตโนมัติ อย่ากดสวิตช์เปิด-ปิด อีกต่อไป แบตเตอรี่แพ็คอาจชาร์จได้



อ่านและปฏิบัติตามข้อสั่งการสำหรับการกำจัดขยะ

การถอดแบตเตอรี่

แบตเตอรี่แพ็ค (5) มีการล็อกสองระดับเพื่อป้องกันไม่ให้แบตเตอรี่แพ็คร่วงหลุดออกมาหากกดแป้นปลดล็อกแบตเตอรี่แพ็ค (6) โดยไม่ต้องใจ เมื่อแบตเตอรี่แพ็คถูกรวบรวมอยู่ในเครื่องมือไฟฟ้า สปริงจะยึดแบตเตอรี่แพ็คให้เข้าตำแหน่ง เมื่อต้องการถอดแบตเตอรี่แพ็ค (5) ออก ให้กดแป้นปลดล็อก (6) และดึงแบตเตอรี่แพ็คออกจากเครื่องมือไฟฟ้า อย่าใช้กำลังดึง

ไฟแสดงสถานะการชาร์จแบตเตอรี่

ไฟ LED สีเขียวของการแสดงสถานะการชาร์จแบตเตอรี่แสดงสถานะการชาร์จของแบตเตอรี่ ด้วยเหตุผลด้านความปลอดภัยท่านสามารถตรวจสอบสถานะการชาร์จเฉพาะเมื่อเครื่องมือไฟฟ้าหยุดสนิทเท่านั้น

กดปุ่มสำหรับไฟแสดงสถานะการชาร์จแบตเตอรี่  หรือ  เพื่อแสดงสถานะการชาร์จ ท่านสามารถกดได้แม้เมื่อได้ถอดแบตเตอรี่ออกแล้ว

หลังจากกดปุ่มสำหรับไฟแสดงสถานะการชาร์จแบตเตอรี่แล้วไฟ LED ไม่ติดขึ้น แสดงว่าแบตเตอรี่บกพร่องและต้องเปลี่ยนใหม่

แบตเตอรี่-ชนิด GBA 18V...



LED	ความจุ
ส่องสว่างต่อเนื่อง 3× สีเขียว	60-100 %
ส่องสว่างต่อเนื่อง 2× สีเขียว	30-60 %
ส่องสว่างต่อเนื่อง 1× สีเขียว	5-30 %
ไฟกะพริบ 1× สีเขียว	0-5 %

แบตเตอรี่-ชนิด ProCORE18V...



LED	ความจุ
ส่องสว่างต่อเนื่อง 5× สีเขียว	80-100 %
ส่องสว่างต่อเนื่อง 4× สีเขียว	60-80 %
ส่องสว่างต่อเนื่อง 3× สีเขียว	40-60 %
ส่องสว่างต่อเนื่อง 2× สีเขียว	20-40 %
ส่องสว่างต่อเนื่อง 1× สีเขียว	5-20 %
ไฟกะพริบ 1× สีเขียว	0-5 %

การใช้ Bluetooth® Low Energy Module GCY 42 (อุปกรณ์ประกอบ)

สำหรับข้อมูลเกี่ยวกับโมดูล Bluetooth® Low Energy Module GCY 42 กรุณาอ่านหนังสือคู่มือการใช้งานที่เกี่ยวข้อง

การเปลี่ยนเครื่องมือ (ดูภาพประกอบ A-B)

- ▶ ถอดแบตเตอรี่ออกจากเครื่องมือไฟฟ้าก่อนทำการปรับแต่งใดๆ ที่เครื่องมือไฟฟ้า (ต. ย. เช่น บำรุงรักษา เปลี่ยนเครื่องมือ ฯลฯ) รวมทั้งเมื่อย้ายและเก็บรักษา อันตรายจากการบาดเจ็บหากสวิทช์เปิด-ปิดติดขึ้นอย่างไม่ตั้งใจ
 - ▶ เมื่อใส่เครื่องมือ ต้องตรวจสอบให้แน่ใจว่าเครื่องมือได้วางอยู่ในตำแหน่งเครื่องมืออย่างแน่นหนา หากเครื่องมือไม่ถูกเชื่อมต่อกับตัวจับเครื่องมืออย่างแน่นหนา เครื่องมืออาจหลุดออกมาระหว่างการใช้งาน
- ดันเครื่องมือ (10) เข้าบนหัวขั้วสีเหลี่ยมของตัวจับเครื่องมือ (1)

การปฏิบัติงาน

วิธีปฏิบัติงาน

ตัวจับเครื่องมือ (1) พร้อมเครื่องมือขับเคลื่อนด้วยมอเตอร์ไฟฟ้าผ่านเกียร์และกลไกกระแทก

ขั้นตอนการทำงานแบ่งออกเป็นสองระยะ:

การขันสกรู และ การทำให้แน่น (การทำงานกับกลไกกระแทก)

กลไกกระแทกจะถูกกระตุ้นในทันทีที่ขันสกรูติดสนิทในชิ้นงานแล้ว และด้วยเหตุนี้มอเตอร์จึงถูกโหลด ในขั้นตอนนี้กลไกกระแทกจะเปลี่ยนพลังงานมอเตอร์เป็นการกระแทกหมุนอย่างสม่ำเสมอ เมื่อคลายสกรูหรือนอตออกให้ทำตามลำดับย้อนหลัง

การเริ่มต้นปฏิบัติงาน

- ▶ วางเครื่องมือไฟฟ้าไว้ทางด้านข้างเสมอและกรุณาอย่าวางบนแบตเตอรี่ เครื่องมือไฟฟ้าอาจล้มได้ ขึ้นอยู่กับเครื่องมือและแบตเตอรี่ที่ใช้

การใช้แบตเตอรี่

หมายเหตุ: การใช้แบตเตอรี่แพ็คที่ไม่เหมาะกับเครื่องมือไฟฟ้าของท่านอาจทำให้เครื่องมือไฟฟ้าทำงานผิดปกติหรือเสียหายได้

เลื่อนแบตเตอรี่ที่ชาร์จแล้ว (5) เข้าในฐานของเครื่องมือไฟฟ้าจนแบตเตอรี่ล็อกเข้าอย่างแน่นหนา

การตั้งทิศทางการหมุน (ดูภาพประกอบ E)

ท่านสามารถเปลี่ยนทิศทางการหมุนของเครื่องมือไฟฟ้าได้ด้วยสวิตช์เปลี่ยนทิศทางการหมุน (2) อย่างไรก็ตาม หากสวิตช์เปิด-ปิด (8) ถูกกดอยู่ จะกลับทิศทางการหมุนไม่ได้

การหมุนทางขวา: สำหรับขันสกรูและขันนอตให้แน่น ให้กดสวิตช์เปลี่ยนทิศทางการหมุน (2) ไปทางซ้ายจนสุด

การหมุนทางซ้าย: สำหรับคลายหรือหมุนสกรูและนอตออก ให้กดสวิตช์เปลี่ยนทิศทางการหมุน (2) ไปทางขวาจนสุด

ความเร็วรอบ/ความเร็วกระแส

ท่านสามารถปรับความเร็วรอบ/ความเร็วกระแสของเครื่องมือไฟฟ้าที่เปิดสวิตช์อยู่ได้อย่างต่อเนื่องตามแรงกดมากขึ้นหรือน้อยลงสวิตช์เปิด-ปิด (8)

การกดสวิตช์เปิด-ปิด (8) เบาจะได้ความเร็วรอบ/ความเร็วกระแสที่ต่ำกว่า การกดสวิตช์แรงยิ่งขึ้นจะได้ความเร็วรอบ/ความเร็วกระแสที่เพิ่มขึ้น

การเปิด-ปิดเครื่อง

สตาร์ท เครื่องมือไฟฟ้าโดยกดสวิตช์เปิด-ปิด (8) และกดค้างไว้

ไฟส่องบริเวณทำงาน (15) จะส่องสว่างเมื่อกดสวิตช์เปิด-ปิด (8) เบาๆ หรือเต็มที่ และช่วยเพิ่มความสว่างในบริเวณทำงานภายใต้สภาพแสงที่ไม่เอื้ออำนวย

ปิด เครื่องมือไฟฟ้าโดยปล่อยนิ้วจากสวิตช์เปิด-ปิด (8)

User interface (ดูภาพประกอบ D-E)

GDS 18V-1000 C / GDS 18V-1050 HC:

User Interface (7) สำหรับตั้งความเร็วรอบล่วงหน้า โหมดการทำงาน และแสดงสถานะของเครื่องมือไฟฟ้า

ไฟแสดงสถานะ

ไฟแสดงสถานะเครื่องมือไฟฟ้า (11)	ความหมาย/สาเหตุ	วิธีแก้ปัญหา
สีเขียว	สถานะ OK	-
สีแดง	อุณหภูมิถึงขั้นวิกฤติหรือแบตเตอรี่ใกล้หมด	ให้เครื่องมือไฟฟ้าวิ่งตัวเปล่าและปล่อยให้เย็นลง หรือเปลี่ยนหรือชาร์จแบตเตอรี่ใหม่ซ้ำ
ส่องสว่างสีแดง	เครื่องมือไฟฟ้าร้อนเกินไปหรือแบตเตอรี่หมดประจุ	ปล่อยให้เครื่องมือไฟฟ้าเย็นลง หรือเปลี่ยนหรือชาร์จแบตเตอรี่
กะพริบสีฟ้า	เครื่องมือไฟฟ้าเชื่อมต่อกับอุปกรณ์เคลื่อนที่ปลายทางหรือกำลังถ่ายโอนการตั้งค่า	-

การตั้งความเร็วรอบล่วงหน้า

คุณสามารถใช้ปุ่มเพื่อเลือกความเร็วรอบ (16) ที่ต้องการได้ 3 ระดับ กดปุ่ม (16) ซ้ำๆ จนการตั้งค่าที่ต้องการปรากฏในตัวบ่งชี้ความเร็วรอบ (17) การตั้งค่าที่เลือกจะถูกบันทึกไว้

GDS 18V-1000 C / GDS 18V-1050 HC:

คุณสามารถเลือกความเร็วรอบล่วงหน้าได้ใน Bosch Toolbox App

ความเร็วรอบที่ต้องใช้ขึ้นอยู่กับประเภทวัสดุและเงื่อนไขการทำงาน และสามารถกำหนดได้จากการทดลองฝึกปฏิบัติ ข้อมูลในตารางต่อไปนี้เป็นคำแนะนำ

	การตั้งค่าพื้นฐานความเร็วรอบเป็นระดับ		
	1	2	3
	[นาที ⁻¹]	[นาที ⁻¹]	[นาที ⁻¹]
จำนวนระดับความเร็วรอบ			
3	0-1100	0-2300	0-3400

คุณสามารถใช้ปุ่มสำหรับตั้งความเร็วรอบล่วงหน้า (16) คุณสามารถใช้ปุ่มสำหรับตั้งความเร็วรอบล่วงหน้า

การเปิดสวิตช์ไฟส่องบริเวณทำงาน

GDS 18V-1000 / GDS 18V-1050 H:

เมื่อต้องการเปิดสวิตช์หรือปิดสวิตช์ไฟส่องบริเวณทำงาน (15) ให้กดปุ่มไฟส่องบริเวณทำงาน (13)

- ▶ **อย่ามองตรงเข้าไปในไฟส่องบริเวณทำงาน** ไฟอาจทำให้ท่านตาพร่าได้

การเลือกโหมดงาน

GDS 18V-1000 C / GDS 18V-1050 HC:

เครื่องมือไฟฟ้ามีโหมดการทำงานที่กำหนดไว้ล่วงหน้า 2 โหมด **A** และ **B (12)** คุณสามารถตั้งโปรแกรมใน Bosch Toolbox App ภายใต้โหมด **A** และ **B (12)** สำหรับการใช้งานต่างๆ และสามารถปรับโหมดที่มีอยู่ได้

เพื่อสลับเปลี่ยนระหว่างโหมดการทำงาน **A** และ **B (12)** กดปุ่ม **(14)**

ข้อแนะนำในการทำงาน

- ▶ **จับเครื่องมือไฟฟ้าเข้านหัวสกรู/นอตเมื่อเครื่องปิดอยู่เท่านั้น** เครื่องมือที่หมุนอยู่อาจฉีกโกล
- ▶ **เครื่องมือไฟฟ้าที่มี Bluetooth® โมดูล Low Energy GCY 42 (อุปกรณ์ประกอบ) ไม่ส่งมีการติดต่อสื่อสารแบบไร้สายที่ใช้คลื่นวิทยุ ต้องปฏิบัติตามข้อจำกัดในการใช้งานในห้องถิ่น ต. ย. เช่น ในเครื่องบิน หรือโรงพยาบาล**

แรงบิดขึ้นอยู่กับระยะเวลาการแตก แรงบิดสูงสุดที่ได้เป็นผลจากยอตรวมของแต่ละแรงบิดที่ได้จากการแตก จะได้แรงบิดสูงสุดหลังจากการแตกไปได้ 6-10 วินาที หลังช่วงเวลานี้ แรงบิดจะเพิ่มขึ้นเพียงเล็กน้อยเท่านั้น

ต้องกำหนดระยะเวลาการแตกสำหรับทุกๆ แรงบิดที่ต้องการ ตรวจสอบแรงบิดที่ได้จริงด้วยประแจวัดแรงบิดเสมอ

การขันสกรูแบบแข็ง แบบยึดหยุ่น หรือแบบนุ่ม

ในการทดสอบ แรงบิดที่ได้ในการกระแทกเป็นลำดับติดต่อกัน จะถูกวัดและโอนเข้าแผนภาพ ซึ่งจะแสดงผลเป็นเส้นโค้งของ

ค่าอ้างอิงสำหรับแรงบิดขั้นแน่นสูงสุดสำหรับสกรู

กำหนดเป็น Nm คำนวณจากรูปตัดแรงเค้น; การไขประโยชน์จากจุดคราก 90% (มีค่าสัมประสิทธิ์ของแรงเสียดทาน μ_{ns} $\mu_{ns} = 0.12$) สำหรับการควบคุม ให้ตรวจสอบแรงบิดขั้นแน่นด้วยประแจวัดแรงบิดเสมอ

ลักษณะแรงบิด ระดับความสูงของเส้นโค้งคือแรงบิดสูงสุดที่ไปถึงได้ และระดับความชันแสดงระยะเวลาที่ไปถึงแรงบิดสูงสุด

ความลาดของแรงบิดขึ้นอยู่กับปัจจัยต่อไปนี้:

- คุณสมบัติความแข็งของสกรู/นอต
- ชนิดของตัวเสริม (ปะเก็นวงแหวน สปริงแผ่น แผ่นซีล)
- คุณสมบัติความแข็งของวัสดุที่จะขันสกรู/โบลท์เข้าไป
- สภาพการหล่อลื่นน้ำมันตรงรอยต่อระหว่างสกรู/โบลท์และวัสดุที่ขันเข้าไป

เนื่องด้วยปัจจัยดังกล่าวข้างต้น จึงมีการขันแบบต่างๆ กันดังต่อไปนี้:

- **การขันแบบแข็ง** เกิดขึ้นเมื่อขันโลหะบนโลหะ โดยใช้ปะเก็นวงแหวน หลังใช้เวลาระกเท่ช่วงสั้นๆ ก็จะได้แรงบิดสูงสุด (เส้นโค้งมีลักษณะลาดชัน) การกระแทกเป็นเวลานานโดยไม่จำเป็นจะทำให้เครื่องชำรุดเสียหายเท่านั้น
- **การขันแบบยึดหยุ่น** เกิดขึ้นเมื่อขันโลหะบนโลหะ หากแต่ใช้วงแหวนสปริง สปริงแผ่น ตะปูหัวใหญ่หรือสกรู/นอตที่มีกันรูปกรวย และเมื่อใช้ส่วนขยายเพิ่มเติม
- **การขันแบบนุ่ม** เกิดขึ้นเมื่อขันสกรู ต. ย. เช่น โลหะบนไม้ หรือเมื่อใช้ปะเก็นวงแหวนตะกั่ว หรือปะเก็นวงแหวนไฟเบอร์เป็นตัวเสริม

แรงบิดสูงสุดของการขันแบบยึดหยุ่นและแบบนุ่มจะต่ำกว่าแรงบิดขั้นแน่นสูงสุดของการขันแบบแข็ง และยังต้องการระยะเวลาการแทกที่ยาวนานกว่าอย่างเห็นได้ชัดอีกด้วย

เกรดความแข็งแรงตาม DIN 267	สกรู/โบลท์มาตรฐาน										โบลท์ความแข็งแรงสูง
	3.6	4.6	5.6	4.8	6.6	5.8	6.8	6.9	8.8	10.9	
M10	13	17.5	22	23	26	29	35	39	47	65	78
M12	22.6	30	37.6	40	45	50	60	67	80	113	135
M14	36	48	60	65	72	79	95	107	130	180	215
M16	55	73	92	98	110	122	147	165	196	275	330
M18	75	101	126	135	151	168	202	227	270	380	450
M20	107	143	178	190	214	238	286	320	385	540	635
M22	145	190	240	255	290	320	385	430	510	715	855
M24	185	245	310	325	370	410	490	455	650	910	1100

คำแนะนำ

ก่อนขันสกรูตัวใหญ่กว่า ยาวกว่า เข้าในเป็นวัสดุแข็ง ท่านควรเจาะรูด้วยเส้นผ่าศูนย์กลางหลักของเกลียวลึกลับประมาณ 2/3 ของความยาวสกรู

หมายเหตุ: ตรวจสอบให้แน่ใจว่าไม่มีชิ้นส่วนโลหะขนาดเล็กใดๆ ลอดเข้าไปในเครื่องมือไฟฟ้า

หลังจากทำงานที่ความเร็วรอบต่ำเป็นเวลานาน ท่านควรเดินเครื่องมือไฟฟ้าตัวเปล่าที่ความเร็วสูงสุดเป็นเวลาประมาณ 3 นาทีเพื่อให้อุปกรณ์เย็นลง

คำแนะนำสำหรับการจัดการที่เหมาะสมกับแบตเตอรี่แพ็ค ป้องกันแบตเตอรี่แพ็คจากความชื้นและน้ำ

เก็บรักษาแบตเตอรี่แพ็คในช่วงอุณหภูมิ - 20 °C ถึง 50 °C เท่านั้น อย่าปล่อยให้แบตเตอรี่แพ็คไว้ในรถยนต์ในช่วงฤดูร้อน

หลังจากชาร์จแบตเตอรี่แล้ว หากแบตเตอรี่แพ็คมีช่วงเวลาทำงานสั้นมาก แสดงว่าแบตเตอรี่แพ็คเสื่อมและต้องเปลี่ยนใหม่

อ่านและปฏิบัติตามข้อสังเกตสำหรับการกำจัดขยะ

เคล็ดลับ

เมื่อใช้คลิปนำ (4) ท่านจะสามารถแขวนเครื่องมือไฟฟ้า เช่น เข็มกับตัวนำได้



ต้องขันสกรูคลิปนำเข้าให้แน่นด้วยแรงบิดการขันประมาณ 2.0-2.5 นิวตันเมตร

การควบคุมผ่าน App

GDS 18V-1000 C / GDS 18V-1050 HC:

เครื่องมือไฟฟ้านี้ติดตั้งโมดูล Bluetooth® ที่ช่วยถ่ายทอดข้อมูลด้วยเทคโนโลยีคลัสสิกสำหรับเชื่อมต่อสายสื่อสารแบบไร้สายไปยังอุปกรณ์เคลื่อนที่ปลายทางบางอย่างที่มี Bluetooth®-อินเตอร์เฟส (เช่น สมาร์ทโฟน แท็บเล็ต)

สำหรับการควบคุมเครื่องมือไฟฟ้าผ่าน Bluetooth® ท่านจำเป็นต้องมี Bosch App "Bosch Toolbox" ให้ดาวน์โหลด App ผ่าน App Store ที่สอดคล้องกัน (Apple App Store, Google Play Store)

จากนั้นใน App ให้เลือกรายการย่อย "My Tools" จะแสดงผลบนอุปกรณ์เคลื่อนที่ปลายทางของท่านจะแสดงขั้นตอนต่อไปทั้งหมดเกี่ยวกับการเชื่อมต่อเครื่องมือไฟฟ้ากับอุปกรณ์ปลายทาง

เมื่อเกิดการเชื่อมต่อกับอุปกรณ์เคลื่อนที่ปลายทางแล้ว ฟังก์ชันต่อไปนี้จะพร้อมใช้งาน:

- การลงทะเบียนและตั้งค่าส่วนบุคคล
- การตรวจสอบสถานะและการส่งออกข้อความแจ้งเตือน
- ข้อมูลทั่วไปและการตั้งค่า
- การจัดการ

- การปรับระดับความเร็วรอบ
- การปรับโหมดการทำงาน

การบำรุงรักษาและการบริการ

การบำรุงรักษาและการทำความสะอาด

▶ **ทำความสะอาดของระบายนอกของเครื่องมือไฟฟ้าอย่างสม่ำเสมอ** พัดลมของมอเตอร์จะดูดผงฝุ่นเข้าไปในหม้อครอบ และผงโลหะที่ฟอกสะสมกันมากๆ อาจทำให้เกิดอันตรายจากไฟฟ้าได้

▶ **ถอดแบตเตอรี่ออกจากเครื่องมือไฟฟ้าก่อนทำการปรับแต่งใดๆ ที่เครื่องมือไฟฟ้า (ต. ย. เช่น บำรุงรักษา เปลี่ยนเครื่องมือ ฯลฯ) รวมทั้งเมื่อขนย้ายและเก็บรักษา** อันตรายจากการบาดเจ็บหากสวิทช์เปิด-ปิดติดขึ้นอย่างไม่ตั้งใจ

▶ **เพื่อให้ทำงานได้อย่างถูกต้องและปลอดภัย ต้องรักษาเครื่องและช่องระบายอากาศให้สะอาดอยู่เสมอ**

การบริการหลังการขายและการให้คำปรึกษาการใช้งาน

ศูนย์บริการหลังการขายของเรายินดีตอบคำถามของท่านที่เกี่ยวกับการบำรุงรักษาและการซ่อมแซมผลิตภัณฑ์รวมทั้งเรื่องอะไหล่ ภาพเขียนแบบการประกอบและข้อมูลเกี่ยวกับอะไหล่ กรุณาดูใน: www.bosch-pt.com

ทีมงานที่ปรึกษาของ บอช ยินดีให้ข้อมูลเกี่ยวกับผลิตภัณฑ์ของเราและอุปกรณ์ประกอบต่างๆ

เมื่อต้องการสอบถามและสั่งซื้ออะไหล่ กรุณาแจ้งหมายเลขสินค้า 10 หลักบนแผ่นป้ายรุ่นของผลิตภัณฑ์ทุกครั้ง

ไทย

ไทย บริษัท โรเบิร์ต บอช จำกัด
 เอฟวายไอ เซ็นเตอร์ อาคาร 1 ชั้น 5
 เลขที่ 2525 ถนนพระราม 4

แขวงคลองเตย เขตคลองเตย กรุงเทพฯ 10110

โทร: +66 2012 8888

แฟกซ์: +66 2064 5800

www.bosch.co.th

ศูนย์บริการซ่อมและฝึกอบรม บอช

อาคาร ลาชาลทาวเวอร์ ชั้น G ห้องเลขที่ 2

บ้านเลขที่ 10/11 หมู่ 16

ถนนศรีนครินทร์ ตำบลบางแก้ว อำเภอบางพลี

จังหวัดสมุทรปราการ 10540

ประเทศไทย

โทรศัพท์ 02 7587555

โทรสาร 02 7587525

สามารถดูที่อยู่ศูนย์บริการอื่นๆ ได้ที่:

www.bosch-pt.com/serviceaddresses

การขนส่ง

แบตเตอรี่ลิเธียม ไอออน ที่บรรจุอยู่ภายใน
ได้ข้อกำหนดแห่งกฎหมายสินค้าอันตราย ผู้
ใช้สามารถขนส่งแบตเตอรี่แพ็คโดย
ทางถนนโดยไม่มีข้อบังคับอื่นทางขนส่งโดยบุคคลที่สาม
(เช่น : การขนส่งทางอากาศ หรือตัวแทนขนส่งสินค้า)
ต้องปฏิบัติตามข้อกำหนดพิเศษเกี่ยวกับการบรรจุ
ภัณฑ์และการติดฉลาก สำหรับการเตรียมสิ่งของที่จัดส่ง
จำเป็นต้องปรึกษาผู้เชี่ยวชาญด้านวัตถุอันตราย
ส่งแบตเตอรี่แพ็คเมื่อตัวหุ้มไม่ชำรุดเสียหายเท่านั้น ใช้แถบ
กาวพันปิดหน้าสัมผัสที่เปิดอยู่ และนำแบตเตอรี่แพ็ค
ใส่กล่องบรรจุโดยไม่ให้เคลื่อนไปมาในกล่องได้ นอกจากนี้
นี้กรุณาปฏิบัติตามกฎระเบียบของประเทศซึ่งอาจมีรายละเอียดเพิ่มเติม

การกำจัดขยะ



เครื่องมือไฟฟ้า แบตเตอรี่แพ็ค อุปกรณ์ประกอบ
และที่บ่อ ต้องนำ

ไปแยกประเภทวัสดุเพื่อนำกลับมาใช้
ใหม่โดยไม่ทำลายสภาพแวดล้อม



อย่าทิ้งเครื่องมือไฟฟ้าและแบตเตอรี่แพ็ค/
แบตเตอรี่ที่นำกลับมารีไซเคิลใหม่ได้ ลงในขยะ
บ้าน!

แบตเตอรี่แพ็ค/แบตเตอรี่:

ลิเธียม ไอออน:

กรุณาปฏิบัติตามคำแนะนำในบทการขนส่ง (ดู "การขนส่ง",
หน้า 70)

Bahasa Indonesia

Petunjuk Keselamatan

Petunjuk keselamatan umum untuk perkakas listrik

⚠ PERINGATAN Baca semua peringatan, petunjuk,
ilustrasi, dan spesifikasi
keselamatan yang diberikan bersama perkakas listrik
ini. Kesalahan dalam menjalankan petunjuk di bawah ini

dapat mengakibatkan sengatan listrik, kebakaran, dan/atau
cedera serius.

Simpanlah semua peringatan dan petunjuk untuk penggunaan di masa mendatang.

Istilah "perkakas listrik" dalam peringatan mengacu pada
perkakas listrik yang dioperasikan dengan listrik
(menggunakan kabel) atau perkakas listrik yang
dioperasikan dengan baterai (tanpa kabel).

Keamanan tempat kerja

- ▶ **Jaga kebersihan dan pencahayaan area kerja.** Area yang berantakan atau gelap dapat memicu kecelakaan.
- ▶ **Jangan mengoperasikan perkakas listrik di lingkungan yang dapat memicu ledakan, seperti adanya cairan, gas, atau debu yang mudah terbakar.** Perkakas listrik dapat memancarkan bunga api yang kemudian mengakibatkan debu atau uap terbakar.
- ▶ **Jauhkan dari jangkauan anak-anak dan pengamat saat mengoperasikan perkakas listrik.** Gangguan dapat menyebabkan hilangnya kendali.

Keamanan listrik

- ▶ **Steker perkakas listrik harus sesuai dengan stopkontak. Jangan pernah memodifikasi steker. Jangan menggunakan steker adaptor bersama dengan perkakas listrik yang terhubung dengan sistem grounding.** Steker yang tidak dimodifikasi dan stopkontak yang cocok akan mengurangi risiko sengatan listrik.
 - ▶ **Hindari kontak badan dengan permukaan yang terhubung dengan sistem grounding, seperti pipa, radiator, kompor, dan lemari es.** Terdapat peningkatan risiko terjadinya sengatan listrik jika badan Anda terhubung dengan sistem grounding.
 - ▶ **Perkakas listrik tidak boleh terpapar hujan atau basah.** Air yang masuk ke dalam perkakas listrik menambah risiko terjadinya sengatan listrik.
 - ▶ **Jangan menyalahgunakan kabel. Jangan gunakan kabel untuk membawa, menarik, atau melepas steker perkakas listrik. Jauhkan kabel dari panas, minyak, tepi yang tajam, atau komponen yang bergerak.** Kabel listrik yang rusak atau tersangkut menambah risiko terjadinya sengatan listrik.
 - ▶ **Saat mengoperasikan perkakas listrik di luar ruangan, gunakan kabel ekstensi yang sesuai untuk penggunaan di luar ruangan.** Penggunaan kabel yang cocok untuk pemakaian di luar ruangan mengurangi risiko terjadinya sengatan listrik.
 - ▶ **Jika perkakas listrik memang harus dioperasikan di tempat yang lembap, gunakan pemutus arus listrik residu (RCD).** Penggunaan RCD akan mengurangi risiko terjadinya sengatan listrik.
- #### Keselamatan personel
- ▶ **Tetap waspada, perhatikan aktivitas yang sedang dikerjakan dan gunakan akal sehat saat mengoperasikan perkakas listrik. Jangan gunakan perkakas listrik saat mengalami kelelahan atau di**

bawah pengaruh narkoba, alkohol, atau obat-obatan.

Jika perkakas listrik dioperasikan dengan daya konsentrasi yang rendah, hal tersebut dapat menyebabkan cedera serius.

- ▶ **Gunakan peralatan pelindung diri. Selalu kenakan pelindung mata.** Penggunaan perlengkapan pelindung seperti penutup telinga, helm, sepatu anti licin, dan masker debu akan mengurangi cedera.
- ▶ **Hindari start yang tidak disengaja. Pastikan switch berada di posisi off sebelum perkakas listrik dihubungkan ke sumber daya listrik dan/atau baterai, diangkat, atau dibawa.** Membawa perkakas listrik dengan jari menempel pada tombol atau perkakas listrik dalam keadaan hidup dapat memicu kecelakaan.
- ▶ **Singkirkan kunci penyetel atau kunci pas sebelum menghidupkan perkakas listrik.** Perkakas atau kunci pas yang masih menempel pada komponen perkakas listrik yang berputar dapat menyebabkan cedera.
- ▶ **Jangan melampaui batas. Berdirilah secara mantap dan selalu jaga keseimbangan.** Hal ini akan memberikan kontrol yang lebih baik terhadap perkakas listrik pada situasi yang tak terduga.
- ▶ **Kenakan pakaian dengan wajar. Jangan mengenakan perhiasan atau pakaian yang longgar. Jauhkan rambut dan pakaian dari komponen yang bergerak.** Pakaian yang longgar, rambut panjang, atau perhiasan dapat tersangkut dalam komponen yang bergerak.
- ▶ **Jika disediakan perangkat untuk sambungan pengisapan debu dan alat pengumpulan, pastikan perangkat tersebut terhubung dan digunakan dengan benar.** Penggunaan alat pengumpulan dapat mengurangi bahaya yang disebabkan oleh debu.
- ▶ **Jangan berpuas diri dan mengabaikan prinsip keselamatan karena terbiasa mengoperasikan perkakas.** Tindakan yang kurang hati-hati dapat mengakibatkan cedera serius dalam waktu sepersekian detik.

Penggunaan dan pemeliharaan perkakas listrik

- ▶ **Jangan memaksakan perkakas listrik. Gunakan perkakas listrik yang sesuai untuk pekerjaan yang dilakukan.** Perkakas listrik yang sesuai akan bekerja dengan lebih baik dan aman sesuai tujuan penggunaan.
- ▶ **Jangan gunakan perkakas listrik dengan switch yang tidak dapat dioperasikan.** Perkakas listrik yang switchnya yang tidak berfungsi dapat menimbulkan bahaya dan harus diperbaiki.
- ▶ **Lepaskan steker dari sumber listrik dan/atau lepas baterai, jika dapat dilepaskan dari perkakas listrik sebelum menyetel, mengganti aksesoris, atau menyimpan perkakas listrik.** Tindakan preventif akan mengurangi risiko menghidupkan perkakas listrik secara tidak disengaja.
- ▶ **Jauhkan dan simpan perkakas listrik dari jangkauan anak-anak dan jangan biarkan orang-orang yang tidak mengetahui cara menggunakan perkakas listrik, mengoperasikan perkakas listrik.** Perkakas listrik

dapat membahayakan jika digunakan oleh orang-orang yang tidak terlatih.

- ▶ **Lakukan pemeliharaan perkakas listrik dan aksesoris. Periksa komponen yang bergerak apabila tidak lurus atau terikat, kerusakan komponen, dan kondisi lain yang dapat mengganggu pengoperasian perkakas listrik. Apabila rusak, perbaiki perkakas listrik sebelum digunakan.** Kecelakaan sering terjadi karena perkakas listrik tidak dirawat dengan baik.
- ▶ **Jaga ketajaman dan kebersihan alat.** Alat pemotong dengan pisau pemotong yang tajam dan dirawat dengan baik tidak akan mudah tersangkut dan lebih mudah dikendalikan.
- ▶ **Gunakan perkakas listrik, aksesoris, dan komponen perkakas dll sesuai dengan petunjuk ini, dengan mempertimbangkan kondisi kerja dan pekerjaan yang akan dilakukan.** Penggunaan perkakas listrik untuk tujuan berbeda dari fungsinya dapat menyebabkan situasi yang berbahaya.
- ▶ **Jaga gagang dan permukaan genggam agar tetap kering, bersih, dan bebas dari minyak dan lemak.** Gagang dan permukaan genggam yang licin tidak menjamin keamanan kerja dan kontrol alat yang baik pada situasi yang tidak terduga.

Penggunaan dan pemeliharaan perkakas baterai

- ▶ **Isi ulang daya hanya dengan pengisi daya yang ditentukan oleh produsen.** Pengisi daya yang sesuai untuk satu jenis set baterai dapat menyebabkan risiko kebakaran apabila digunakan dengan set baterai lain.
- ▶ **Hanya gunakan perkakas listrik dengan set baterai yang dirancang khusus.** Penggunaan set baterai lain dapat menyebabkan risiko cedera dan kebakaran.
- ▶ **Apabila set baterai tidak digunakan, jauhkan dari benda logam lainnya, seperti klip kertas, koin, kunci, paku, sekrup, atau benda logam kecil lainnya yang dapat membuat sambungan dari satu terminal ke terminal lainnya.** Memendekkan terminal baterai dapat menyebabkan kebakaran atau api.
- ▶ **Cairan dapat keluar dari baterai jika baterai tidak digunakan dengan benar; hindari kontak. Jika terjadi kontak secara tidak disengaja, bilas dengan air. Jika cairan mengenai mata, segera hubungi bantuan medis.** Cairan yang keluar dari baterai dapat menyebabkan iritasi atau luka bakar.
- ▶ **Jangan gunakan set baterai atau perkakas yang rusak atau telah dimodifikasi.** Baterai yang rusak atau telah dimodifikasi dapat menimbulkan kejadian yang tak terduga seperti kebakaran, ledakan, atau risiko cedera.
- ▶ **Jangan meletakkan set baterai atau perkakas di dekat api atau suhu tinggi.** Paparan terhadap api atau suhu di atas 130 °C dapat memicu ledakan.
- ▶ **Ikuti semua petunjuk pengisian daya dan jangan mengisi daya set baterai atau perkakas di luar rentang suhu yang ditentukan dalam petunjuk.** Pengisian daya yang tidak tepat atau di luar rentang suhu yang ditentukan

dapat merusak baterai dan meningkatkan risiko kebakaran.

Servis

- ▶ **Minta teknisi berkualifikasi untuk menyervis perkakas listrik dengan hanya menggunakan suku cadang yang identik.** Dengan demikian, hal ini akan memastikan keamanan perkakas listrik.
- ▶ **Jangan pernah melakukan servis pada baterai yang telah rusak.** Servis baterai hanya boleh dilakukan oleh produsen atau penyedia servis resmi.

Petunjuk Keselamatan untuk Obeng

- ▶ **Pegang perkakas listrik pada permukaan gagang isolator saat pengoperasian yang memungkinkan alat pengencang bersentuhan dengan kabel yang tidak terlihat.** Menyentuh alat pengencang yang dialiri listrik dapat menyebabkan bagian logam perkakas listrik dialiri listrik, sehingga berisiko mengakibatkan sengatan listrik pada operator.
- ▶ **Gunakanlah alat detektor logam yang cocok untuk mencari kabel dan pipa yang tidak terlihat atau hubungi perusahaan pengadaan setempat.** Sentuhan dengan kabel-kabel listrik dapat mengakibatkan api dan kontak listrik. Pipa gas yang dirusak dapat mengakibatkan ledakan. Pipa air yang dirusak mengakibatkan barang-barang menjadi rusak.
- ▶ **Pegang perkakas listrik dengan kencang.** Saat mengencangkan dan mengendurkan obeng dapat terjadi reaksi torsi yang tinggi sesaat.
- ▶ **Gunakan alat kerja dengan aman.** Benda yang ditahan dalam alat pemegang atau bais lebih aman daripada benda yang dipegang dengan tangan.
- ▶ **Sebelum meletakkan perkakas listrik, tunggulah hingga perkakas berhenti berputar.** Alat kerja dapat tersangkut dan menyebabkan perkakas listrik tidak dapat dikendalikan.
- ▶ **Asap dapat keluar apabila terjadi kerusakan atau penggunaan yang tidak tepat pada baterai. Baterai dapat terbakar atau meledak.** Biarkan udara segar mengalir masuk dan kunjungi dokter apabila mengalami gangguan kesehatan. Asap tersebut dapat mengganggu saluran pernafasan.
- ▶ **Jangan membuka baterai.** Ada bahaya terjadinya korsleting.
- ▶ **Baterai dapat rusak akibat benda-benda lancip, seperti jarum, obeng, atau tekanan keras dari luar.** Hal ini dapat menyebabkan terjadinya hubungan singkat internal dan baterai dapat terbakar, berasap, meledak, atau mengalami panas berlebih.
- ▶ **Hanya gunakan baterai pada produk yang dibuat oleh produsen.** Hanya dengan cara ini, baterai dapat terlindung dari kelebihan muatan.



Lindungi baterai dari panas, misalnya juga dari paparan sinar matahari dalam waktu yang lama, api, kotoran, air dan



kelembapan. Terdapat risiko ledakan dan korsleting.

- ▶ **Alat sisipan dapat menjadi panas saat pengoperasian! Terdapat risiko terbakar saat mengganti alat sisipan.** Gunakan sarung tangan pelindung untuk melepaskan alat sisipan.
- ▶ **Waspada! Ketika menggunakan perkakas listrik dengan Bluetooth[®], gangguan dapat muncul pada perangkat dan instalasi lain, pesawat terbang, dan perangkat medis (misalnya alat pacu jantung, alat bantu dengar. Selain itu, cedera pada manusia dan binatang di area sekitar tidak dapat seluruhnya dihindari. Jangan menggunakan alat pengukur dengan Bluetooth[®] di dekat perangkat medis, pusat pengisian bahan bakar, instalasi kimia, area dengan bahaya ledakan, dan percikan api. Jangan menggunakan perkakas listrik dengan Bluetooth[®] di dalam pesawat terbang. Hindari pengoperasian di dekat kepala secara langsung dalam waktu yang lama.**

Istilah merek *Bluetooth[®]* serta gambar simbol (logo) merupakan merek dagang terdaftar dan kepemilikan dari Bluetooth SIG, Inc. Setiap penggunaan istilah merek/gambar simbol ini berada di bawah lisensi Robert Bosch Power Tools GmbH.

Spesifikasi produk dan performa



Bacalah semua petunjuk keselamatan dan petunjuk penggunaan. Kesalahan dalam menjalankan petunjuk keselamatan dan petunjuk penggunaan dapat mengakibatkan kontak listrik, kebakaran, dan/atau luka-luka yang berat.

Perhatikan ilustrasi yang terdapat pada sisi sampul panduan pengoperasian.

Tujuan penggunaan

Perkakas listrik ini cocok untuk memasang dan mengendurkan sekrup serta untuk mengencangkan dan mengendurkan mur masing-masing dalam batas ukuran yang ditentukan.

Data dan pengaturan perkakas listrik dapat dikirimkan menggunakan modul *Bluetooth[®] Low Energy GCY 42* yang terpasang dengan menggunakan teknologi nirkabel *Bluetooth[®]* antara perkakas listrik dan perangkat seluler.

Ilustrasi komponen

Nomor-nomor dari bagian-bagian perkakas pada gambar sesuai dengan gambar perkakas listrik pada halaman bergambar.

- (1) Dudukan alat kerja
- (2) Switch arah putaran
- (3) Penutup modul Bluetooth[®] Low Energy **GCY 42**
- (4) Klip konduktor
- (5) Baterai^{a)}

- (6) Tombol pelepas baterai^{a)}
- (7) User Interface
- (8) Tombol on/off
- (9) Gagang (permukaan genggam berisolator)
- (10) Alat sisipan (misalnya kunci sok)^{a)}

User Interface

- (11) Display status perkakas listrik
- (12) Mode display

- (13) Tombol lampu kerja
(GDS 18V-1000, GDS 18V-1050 H)
- (14) Tombol mode
(GDS 18V-1000 C, GDS 18V-1050 HC)
- (15) Lampu kerja
- (16) Tombol pemilihan awal kecepatan putaran
- (17) Display tingkat pemilihan awal kecepatan putaran

a) Aksesori yang ada pada gambar atau yang dijelaskan tidak termasuk dalam lingkup pengiriman standar. Semua aksesori yang ada dapat Anda lihat dalam program aksesori kami.

Data teknis

Obeng impact berdaya baterai		GDS 18V-1000	GDS 18V-1050 H	GDS 18V-1000 C	GDS 18V-1050 HC
Nomor seri		3 601 JJ8 3..	3 601 JJ8 5..	3 601 JJ8 0..	3 601 JJ8 2..
Tegangan nominal	V=	18	18	18	18
Kecepatan idle ^{A)}					
- Pengaturan 1	min ⁻¹	0-800	0-800	0-800	0-800
- Pengaturan 2	min ⁻¹	0-1 200	0-1 200	0-1 300	0-1 300
- Pengaturan 3	min ⁻¹	0-1 750	0-1 750	0-1 750	0-1 750
Tingkat getaran ^{A)}					
- Pengaturan 1	min ⁻¹	0-1 600	0-1 600	0-1 600	0-1 600
- Pengaturan 2	min ⁻¹	0-2 400	0-2 400	0-2 300	0-2 300
- Pengaturan 3	min ⁻¹	0-2 600	0-2 600	0-2 600	0-2 600
Torsi ^{A)}					
- Pengaturan 1	Nm	0-350	0-350	0-350	0-350
- Pengaturan 2	Nm	0-700	0-750	0-650	0-650
- Pengaturan 3	Nm	0-1 000	0-1 050	0-1 000	0-1 050
Torsi pengencangan maks. ^{A)}	Nm	1 000	1 050	1 000	1 050
Torsi pelepasan maks. ^{A)}	Nm	1 600	1 700	1 600	1 700
Ø (diameter) sekrup mesin	mm	M14-M24	M14-M24	M14-M24	M14-M24
Dudukan alat kerja		■ ½"	■ ¾"	■ ½"	■ ¾"
Berat sesuai dengan EPTA-Procedure 01:2014 ^{B)}	kg	3,3-4,4	3,3-4,4	3,3-4,4	3,3-4,4
Suhu sekitar yang direkomendasikan saat pengisian daya	°C	0 ... +35	0 ... +35	0 ... +35	0 ... +35
Suhu sekitar yang diizinkan saat pengoperasian dan saat disimpan	°C	-20 ... +50	-20 ... +50	-20 ... +50	-20 ... +50
Baterai yang kompatibel		GBA 18V... ProCORE18V...	GBA 18V... ProCORE18V...	GBA 18V... ProCORE18V...	GBA 18V... ProCORE18V...
Baterai yang direkomendasikan untuk performa penuh		ProCORE18V... ≥ 5,5 Ah	ProCORE18V... ≥ 5,5 Ah	ProCORE18V... ≥ 5,5 Ah	ProCORE18V... ≥ 5,5 Ah
Perangkat pengisian daya yang direkomendasikan		GAL 18... GAX 18... GAL 36...	GAL 18... GAX 18... GAL 36...	GAL 18... GAX 18... GAL 36...	GAL 18... GAX 18... GAL 36...
Pengiriman data					

Obeng impact berdaya baterai		GDS 18V-1000	GDS 18V-1050 H	GDS 18V-1000 C	GDS 18V-1050 HC
Bluetooth® ^{C)}		–	–	Bluetooth® 4.1 (Low Energy)	Bluetooth® 4.1 (Low Energy)
Jarak sinyal	s	–	–	8	8
Jangkauan sinyal maks. ^{D)}	m	–	–	30	30

A) Diukur pada suhu 20–25 °C dengan baterai **ProCORE18V 8.0Ah**.

B) Diukur dengan **GBA 18V 1.5Ah** dan **GBA 18V 12Ah**.

C) Perangkat seluler harus kompatibel dengan perangkat Bluetooth®-Low-Energy (versi 4.1) dan mendukung Generic Access Profile (GAP).

D) Jangkauan sinyal dapat berbeda-beda bergantung pada kondisi di luar serta perangkat penerima yang digunakan. Jangkauan Bluetooth® dapat sangat lemah jika berada di dalam ruangan tertutup dan melewati penghalang logam (contoh dinding, rak, koper, dll.).

Cara memasang

- ▶ **Sebelum melakukan semua pekerjaan pada perkakas listrik (misalnya merawat, mengganti alat kerja, dsb.) serta selama transpor dan penyimpanan, keluarkanlah baterai dari perkakas listrik.** Terdapat risiko cedera apabila tombol untuk menghidupkan dan mematikan dioperasikan tanpa sengaja.

Mengisi daya baterai

- ▶ **Hanya gunakan pengisi daya yang tercantum pada data teknis.** Hanya pengisi daya ini yang sesuai dengan baterai Li-ion yang digunakan pada perkakas listrik Anda.

Catatan: Baterai dikirim dalam keadaan terisi sebagian. Untuk memastikan kinerja penuh baterai, isi penuh daya baterai ke pengisi daya sebelum menggunakannya untuk pertama kali.

Daya baterai li-ion dapat diisi setiap saat tanpa mengurangi masa pakainya. Penghentian proses pengisian daya tidak merusak baterai.

Baterai li-ion terlindung dari pengosongan daya total dengan "Electronic Cell Protection (ECP)". Jika baterai habis, perkakas listrik dimatikan oleh pengaman: Alat sisipan berhenti beroperasi.

- ▶ **Jangan menekan kembali tombol on/off jika perkakas listrik mati secara otomatis.** Baterai dapat rusak.



Perhatikan petunjuk untuk membuang.

Mengeluarkan baterai

Baterai (5) memiliki dua sistem pengunci untuk mencegah baterai jatuh jika tombol pelepas baterai (6) ditekan secara tidak sengaja. Selama baterai berada di dalam perkakas listrik, baterai ditahan dalam dudukannya dengan pegas. Untuk melepaskan baterai (5) tekan tombol pelepas (6) dan tarik baterai dari perkakas listrik. **Jangan melepas baterai dengan paksa.**

Indikator level pengisian daya baterai

LED berwarna hijau dari indikator level pengisian daya baterai menampilkan level pengisian daya baterai. Atas dasar keselamatan, permintaan level pengisian daya baterai hanya dapat dilakukan saat perkakas listrik dalam keadaan berhenti.

Tekan tombol indikator level pengisian daya baterai  atau  untuk menampilkan level pengisian baterai. Hal ini juga dapat dilakukan saat baterai dilepas.

Apabila LED tidak menyala setelah menekan tombol indikator level pengisian daya, terdapat kerusakan pada baterai dan baterai harus diganti.

Tipe baterai GBA 18V...



LED	Kapasitas
Lampu permanen 3× hijau	60–100 %
Lampu permanen 2× hijau	30–60 %
Lampu permanen 1× hijau	5–30 %
Lampu berkedip 1× hijau	0–5 %

Tipe baterai ProCORE18V...



LED	Kapasitas
Lampu permanen 5× hijau	80–100 %
Lampu permanen 4× hijau	60–80 %
Lampu permanen 3× hijau	40–60 %
Lampu permanen 2× hijau	20–40 %
Lampu permanen 1× hijau	5–20 %
Lampu berkedip 1× hijau	0–5 %

Memasang modul Bluetooth® Low Energy GCY 42 (aksesori)

Untuk informasi mengenai modul Bluetooth® Low Energy GCY 42, baca panduan pengoperasian terkait.

Mengganti alat kerja (lihat gambar A–B)

- ▶ **Sebelum melakukan semua pekerjaan pada perkakas listrik (misalnya merawat, mengganti alat kerja, dsb.) serta selama transpor dan penyimpanan, keluarkanlah baterai dari perkakas listrik.** Terdapat risiko cedera

apabila tombol untuk menghidupkan dan mematikan dioperasikan tanpa sengaja.

- ▶ **Saat memasang alat kerja, pastikan alat kerja terpasang secara aman pada dudukan alat.** Jika alat kerja tidak terhubung secara aman dengan dudukan alat, alat kerja dapat terlepas selama penyekrupan.

Pasang alat sisipan **(10)** pada kotak dudukan alat kerja **(1)**.

Penggunaan

Cara kerja

Dudukan alat **(1)** dengan alat sisipan digerakkan dengan motor listrik melalui transmisi dan alat penggetar.

Proses pengerjaan terbagi ke dalam dua tahap: **menyekrup** dan **mengencangkan** (alat penggetar beroperasi).

Alat penggetar mulai beraksi begitu sekrop mulai terkunci dan motor dibebani. Dengan demikian alat penggetar mengubah daya motor menjadi getaran putar yang berkekuatan sama. Saat melepas sekrop atau mur, proses berlangsung dengan urutan sebaliknya.

Cara penggunaan

- ▶ **Selalu letakkan perkakas listrik di sisi samping dan jangan letakkan pada sisi baterai.** Tergantung pada alat sisipan dan baterai yang digunakan, perkakas listrik dapat terbalik.

Memasang baterai

Catatan: Menggunakan baterai yang tidak sesuai untuk perkakas listrik dapat menyebabkan kegagalan fungsi atau kerusakan pada perkakas listrik.

Display status

Indikator status perkakas listrik (11)	Arti/penyebab	Solusi
Hijau	Status OK	–
Kuning	Suhu kritis tercapai atau baterai hampir kosong	Operasikan perkakas listrik pada posisi idle dan biarkan mendingin atau segera ganti atau isi daya baterai
Menyala merah	Perkakas listrik terlalu panas atau baterai kosong	Biarkan perkakas listrik mendingin atau ganti atau isi daya baterai
Berkedip biru	Perkakas listrik terhubung dengan perangkat seluler atau pengaturan dikirim	–

Pemilihan awal kecepatan putaran

Dengan menggunakan tombol pemilihan awal kecepatan putaran **(16)**, kecepatan putaran yang diperlukan dapat dipilih sebelumnya dalam 3 tingkat. Tekan tombol **(16)** beberapa kali hingga pengaturan yang diinginkan ditunjukkan dalam display kecepatan putaran **(17)**. Pengaturan yang dipilih akan disimpan.

Pasang baterai **(5)** yang telah terisi daya ke dalam kaki perkakas listrik hingga baterai terkunci dengan aman.

Mengatur arah putaran (lihat gambar E)

Arah putaran perkakas listrik dapat diubah dengan switch pengubah arah **(2)**. Hal tersebut tidak dapat dilakukan jika tombol on/off **(8)** ditekan.

Searah jarum jam: Untuk memasang sekrop dan mur, tekan switch pengubah arah **(2)** ke kiri hingga maksimal.

Berlawanan arah jarum jam: Untuk mengendurkan atau melepas sekrop dan mur, tekan switch pengubah arah **(2)** ke kanan hingga maksimal.

Menyetel kecepatan putaran/nominal getaran

Kecepatan putaran/nominal getaran pada perkakas listrik yang dihidupkan dapat disetel terus-menerus tergantung seberapa lama tombol on/off **(8)** ditekan.

Jika tombol on/off **(8)** ditekan singkat, kecepatan putaran/nominal getaran akan menjadi rendah. Jika tombol ditekan lama, kecepatan putaran/nominal getaran bertambah pula.

Mengaktifkan/menonaktifkan perkakas listrik

Untuk **menggunakan pertama kali** perkakas listrik, tekan dan tahan tombol on/off **(8)**.

Lampu kerja **(15)** akan menyala saat tombol on/off **(8)** ditekan singkat atau ditekan kuat dan membantu menerangi area kerja saat kondisi cahaya tidak menguntungkan.

Untuk **menonaktifkan** perkakas listrik, lepaskan tombol on/off **(8)**.

User Interface (lihat gambar D–E)

GDS 18V-1000 C / GDS 18V-1050 HC:

User Interface **(7)** digunakan untuk pemilihan awal kecepatan putaran dan pemilihan awal mode pengoperasian serta untuk menampilkan status perkakas listrik.

GDS 18V-1000 C / GDS 18V-1050 HC:

Pemilihan awal kecepatan putaran juga dapat dipilih sebelumnya melalui aplikasi Bosch Toolbox.

Kecepatan putaran yang diperlukan bergantung pada bahan yang dikerjakan dan kondisi pengerjaan dan dapat ditetapkan melalui uji coba secara praktis.

Informasi pada tabel di bawah adalah nilai yang direkomendasikan.

	Pengaturan dasar kecepatan putaran pada tingkat		
	1	2	3
	[min ⁻¹]	[min ⁻¹]	[min ⁻¹]
Jumlah tingkat kecepatan putaran			
3	0–1 100	0–2 300	0–3 400

Dengan tombol pemilihan awal kecepatan putaran (16), kecepatan putaran yang diperlukan juga dapat dipilih sebelumnya saat mengoperasikan perkakas listrik.

Menyalakan lampu kerja

GDS 18V-1000 / GDS 18V-1050 H:

Untuk menyalakan atau mematikan lampu kerja (15), tekan tombol lampu kerja (13).

- ▶ **Jangan melihat lampu kerja secara langsung karena dapat menyilaukan mata.**

Memilih mode pengoperasian

GDS 18V-1000 C / GDS 18V-1050 HC:

Perkakas listrik memiliki 2 mode pengoperasian **A** dan **B (12)** yang telah ditentukan. Aplikasi Bosch Toolbox juga dapat digunakan untuk memprogram mode pengoperasian untuk berbagai aplikasi dan menyesuaikan mode yang ada di **A** dan **B (12)**.

Untuk beralih antara mode pengoperasian **A** dan **B (12)**, tekan tombol (14).

Petunjuk pengoperasian

- ▶ **Pasang perkakas listrik pada mur/sekrup hanya saat dalam keadaan mati.** Alat sisipan yang berputar dapat tergelincir.
- ▶ **Perkakas listrik dengan modul Bluetooth® Low Energy GCY 42 (aksesori) yang terpasang dilengkapi dengan antarmuka berbasis radio. Perhatikan batasan pengoperasian lokal, misalnya dalam pesawat terbang atau di rumah sakit.**

Nilai pedoman untuk torsi pengencangan sekrup maksimal

Nilai dalam Nm, dihitung dari penampang melintang tegangan; menggunakan 90% batas renggang (pada koefisien gesekan $\mu_{\text{tot}} = 0,12$). Untuk mengontrol, selalu periksa torsi pengencangan dengan kunci torsi.

Kelas daya tahan menurut DIN 267	Sekrup standar								Sekrup berkekuatan tinggi		
	3.6	4.6	5.6	4.8	6.6	5.8	6.8	6.9	8.8	10.9	12.9
M10	13	17.5	22	23	26	29	35	39	47	65	78
M12	22.6	30	37.6	40	45	50	60	67	80	113	135
M14	36	48	60	65	72	79	95	107	130	180	215
M16	55	73	92	98	110	122	147	165	196	275	330
M18	75	101	126	135	151	168	202	227	270	380	450
M20	107	143	178	190	214	238	286	320	385	540	635
M22	145	190	240	255	290	320	385	430	510	715	855
M24	185	245	310	325	370	410	490	455	650	910	1100

Torsi yang tercapai bergantung pada durasi getaran. Torsi maksimal yang tercapai adalah hasil jumlah seluruh torsi tunggal yang dihasilkan oleh getaran. Torsi maksimal akan tercapai setelah durasi getaran berlangsung selama 6–10 detik. Setelah itu, torsi pengencangan hampir tidak dapat diperbesar lagi.

Durasi getaran ditentukan untuk setiap torsi pengencangan yang diperlukan. Torsi pengencangan yang tercapai harus selalu diperiksa dengan kunci torsi.

Penyekrupan dengan dudukan yang kokoh, elastis atau empuk

Jika saat uji coba, torsi yang tercapai dalam urutan getaran diukur dan dikirim ke diagram, kurva grafik torsi akan diperoleh. Ketinggian kurva menggambarkan torsi maksimal yang tercapai, tanjakan kurva menggambarkan durasi hingga torsi tersebut tercapai.

Grafik torsi bergantung pada faktor-faktor berikut:

- Kekuatan sekrup/mur
- Jenis lapisan pada sekrup (ring pelat, ring pegas piring, seal)
- Kekuatan benda yang akan disekrup
- Kondisi pelumasan pada sambungan penyekrupan

Berdasarkan hal tersebut, penggunaannya adalah sebagai berikut:

- **Dudukan kokoh** digunakan saat penyekrupan logam pada logam dengan menggunakan ring pelat. Setelah waktu getaran yang relatif pendek, torsi maksimal tercapai (tanjakan diagram yang tajam). Waktu getaran lama yang tidak diperlukan hanya akan merusak mesin.
- **Dudukan pegas** digunakan saat penyekrupan logam pada logam yang memakai ring pegas, ring pegas piring, baut stud atau sekrup/mur dengan dudukan kerucut serta saat penggunaan ekstensi.
- **Dudukan empuk** digunakan saat penyekrupan misalnya logam pada kayu atau jika menggunakan lead/fibre disc sebagai lapisan.

Pada dudukan pegas atau lunak, torsi pengencangan maksimal lebih rendah daripada pada dudukan kokoh. Selain itu, diperlukan waktu getaran yang lebih lama.

Tips

Sebelum memutar masuk sekrup yang besar dan panjang ke dalam bahan yang keras, buat lubang bor terlebih dulu dengan diameter inti ulir sekitar 2/3 dari panjang sekrup.

Petunjuk: Perhatikan agar benda-benda kecil dari logam tidak masuk ke dalam perkakas listrik.

Setelah digunakan dalam waktu yang lama dengan kecepatan rendah, biarkan perkakas listrik beroperasi dengan putaran maksimal pada kecepatan idle sekitar 3 menit agar menjadi dingin.

Petunjuk untuk penanganan baterai yang optimal

Lindungi baterai dari kelembapan dan air.

Simpan baterai hanya pada rentang suhu antara -20 °C hingga 50 °C. Janganlah meletakkan baterai di dalam mobil, misalnya pada musim panas.

Waktu pengoperasian yang berkurang secara signifikan setelah pengisian daya menunjukkan bahwa baterai telah habis dan perlu diganti.

Perhatikan petunjuk untuk membuang.

Klip konduktor

Dengan klip konduktor (4), perkakas listrik dapat digantungkan misalnya pada konduktor.



Sekrup klip konduktor harus dikencangkan dengan torsi pengencangan 2,0–2,5 Nm.

Mengontrol lampu melalui aplikasi**GDS 18V-1000 C / GDS 18V-1050 HC:**

Perkakas listrik dapat dilengkapi dengan modul *Bluetooth*® dengan teknologi radio yang memungkinkan pengiriman data ke perangkat seluler tertentu dengan antarmuka *Bluetooth*® (misalnya smartphone, tablet).

Agar dapat mengontrol perkakas listrik melalui *Bluetooth*®, diperlukan aplikasi Bosch "Bosch Toolbox". Unduh aplikasi melalui App Store (Apple App Store, Google Play Store) yang sesuai.

Setelah itu, pilih subitem "My Tools" dalam aplikasi. Display di perangkat seluler Anda akan menampilkan langkah-langkah selanjutnya untuk menghubungkan perkakas listrik dengan perangkat.

Fungsi-fungsi berikut akan tersedia setelah perangkat listrik terhubung dengan perangkat seluler:

- Pendaftaran dan personalisasi
- Cek status, tampilan pesan peringatan
- Informasi umum dan pengaturan
- Perawatan
- Pengaturan tingkat kecepatan putaran
- Pengaturan mode pengoperasian

Perawatan dan servis**Perawatan dan pembersihan**

- ▶ **Bersihkan lubang ventilasi pada perkakas listrik secara rutin.** Kipas angin motor menarik debu ke dalam rumahannya dan debu logam dalam jumlah yang besar dan listrik bisa mengakibatkan bahaya.

- ▶ **Sebelum melakukan semua pekerjaan pada perkakas listrik (misalnya merawat, mengganti alat kerja, dsb.) serta selama transpor dan penyimpanan, keluarkanlah baterai dari perkakas listrik.** Terdapat risiko cedera apabila tombol untuk menghidupkan dan mematikan dioperasikan tanpa sengaja.

- ▶ **Perkakas listrik dan lubang ventilasi harus selalu dibersihkan agar perkakas dapat digunakan dengan baik dan aman.**

Layanan pelanggan dan konsultasi penggunaan

Layanan pelanggan Bosch menjawab semua pertanyaan Anda tentang reparasi dan perawatan serta tentang suku cadang produk ini. Gambaran teknis (exploded view) dan informasi mengenai suku cadang dapat ditemukan di:

www.bosch-pt.com

Tim konsultasi penggunaan Bosch akan membantu Anda menjawab pertanyaan seputar produk kami beserta aksesorinya.

Jika Anda hendak menanyakan sesuatu atau memesan suku cadang, selalu sebutkan nomor model yang terdiri dari 10 angka dan tercantum pada label tipe produk.

Indonesia

PT Robert Bosch
Palma Tower 10th Floor
Jalan RA Kartini II-S Kaveling 6
Pondok Pinang, Kebayoran Lama
Jakarta Selatan 12310
Tel.: (021) 3005 5800
Fax: (021) 3005 5801
E-Mail: boschpowertools@id.bosch.com
www.bosch-pt.co.id

Alamat layanan lainnya dapat ditemukan di:

www.bosch-pt.com/serviceaddresses

Transpor

Pada baterai-baterai li-ion yang digunakan diterapkan persyaratan terkait peraturan-peraturan tentang bahan-bahan yang berbahaya. Baterai-baterai dapat diangkut oleh penggunaannya tanpa pembatasan lebih lanjut di jalan.

Pada pengiriman oleh pihak ketiga (misalnya transportasi udara atau perusahaan ekspedisi) harus ditaati syarat-syarat terkait kemasan dan pemberian tanda. Dalam hal ini, diperlukan konsultasi dengan ahli bahan-bahan berbahaya saat mengatur barang pengiriman.

Kirimkan baterai hanya jika housing-nya tidak rusak. Tutup bagian-bagian yang terbuka dan kemas baterai agar tidak bergerak-gerak di dalam kemasan. Taatilah peraturan-peraturan nasional lainnya yang mungkin lebih rinci yang berlaku di negara Anda.

Cara membuang

Perkakas listrik, baterai, aksesoris dan kemasan harus didaur ulang dengan cara yang ramah lingkungan.



Jangan membuang perkakas listrik, aki/baterai ke dalam sampah rumah tangga!

Baterai:

Li-ion:

Perhatikanlah petunjuk-petunjuk dalam bab Transpor (lihat „Transpor“, Halaman 77).

Tiếng Việt

Hướng dẫn an toàn

Hướng dẫn an toàn chung cho dụng cụ điện

⚠ CẢNH BÁO Hãy đọc toàn bộ các cảnh báo an toàn, hướng dẫn, hình ảnh và thông số kỹ thuật được cung cấp cho dụng cụ điện cầm tay này. Không tuân thủ mọi hướng dẫn được liệt kê dưới đây có thể bị điện giật, gây cháy và /hay bị thương tật nghiêm trọng.

Hãy giữ tất cả tài liệu về cảnh báo và hướng dẫn để tham khảo về sau.

Thuật ngữ "dụng cụ điện cầm tay" trong phần cảnh báo là đề cập đến sự sử dụng dụng cụ điện cầm tay của bạn, loại sử dụng điện nguồn (có dây cắm điện) hay vận hành bằng pin (không dây cắm điện).

Khu vực làm việc an toàn

- ▶ **Giữ nơi làm việc sạch và đủ ánh sáng.** Nơi làm việc bừa bộn và tối tăm dễ gây ra tai nạn.
- ▶ **Không vận hành dụng cụ điện cầm tay trong môi trường dễ gây nổ, chẳng hạn như nơi có chất lỏng dễ cháy, khí đốt hay rác.** Dụng cụ điện cầm tay tạo ra các tia lửa nên có thể làm rác bén cháy hay bốc khói.
- ▶ **Không để trẻ em hay người đến xem đứng gần khi vận hành dụng cụ điện cầm tay.** Sự phân tâm có thể gây ra sự mất điều khiển.

An toàn về điện

- ▶ **Phích cắm của dụng cụ điện cầm tay phải thích hợp với ổ cắm.** Không bao giờ được cải biến lại phích cắm dưới mọi hình thức. Không được sử dụng phích tiếp hợp nối tiếp đất (dây mát). Phích cắm nguyên bản và ổ cắm đúng loại sẽ làm giảm nguy cơ bị điện giật.
- ▶ **Tránh không để thân thể tiếp xúc với đất hay các vật có bề mặt tiếp đất như đường ống, lò sưởi, hàng rào và tủ lạnh.** Có nhiều nguy cơ bị điện giật hơn nếu cơ thể bạn bị tiếp hay nối đất.
- ▶ **Không được để dụng cụ điện cầm tay ngoài mưa hay ở tình trạng ẩm ướt.** Nước vào máy sẽ làm tăng nguy cơ bị điện giật.

- ▶ **Không được lạm dụng dây dẫn điện.** Không bao giờ được nắm dây dẫn để xách, kéo hay rút phích cắm dụng cụ điện cầm tay. Không để dây gần nơi có nhiệt độ cao, dầu nhớt, vật nhọn bén và bộ phận chuyển động. Làm hỏng hay cuộn rối dây dẫn làm tăng nguy cơ bị điện giật.
- ▶ **Khi sử dụng dụng cụ điện cầm tay ngoài trời, dùng dây nối thích hợp cho việc sử dụng ngoài trời.** Sử dụng dây nối thích hợp cho việc sử dụng ngoài trời làm giảm nguy cơ bị điện giật.
- ▶ **Nếu việc sử dụng dụng cụ điện cầm tay ở nơi ẩm ướt là không thể tránh được, dùng thiết bị ngắt mạch tự động (RCD) bảo vệ nguồn.** Sử dụng thiết bị ngắt mạch tự động RCD làm giảm nguy cơ bị điện giật.

An toàn cá nhân

- ▶ **Hãy tỉnh táo, biết rõ mình đang làm gì và hãy sử dụng ý thức khi vận hành dụng cụ điện cầm tay.** Không sử dụng dụng cụ điện cầm tay khi đang mệt mỏi hay đang bị tác động do chất gây nghiện, rượu hay dược phẩm gây ra. Một thoáng mất tập trung khi đang vận hành dụng cụ điện cầm tay có thể gây thương tích nghiêm trọng cho bản thân.
- ▶ **Sử dụng trang bị bảo hộ cá nhân.** Luôn luôn đeo kính bảo vệ mắt. Trang bị bảo hộ như khẩu trang, giày chống trượt, nón bảo hộ, hay dụng cụ bảo vệ tai khi được sử dụng đúng nơi đúng chỗ sẽ làm giảm nguy cơ thương tật cho bản thân.
- ▶ **Phòng tránh máy khởi động bất ngờ.** Bảo đảm công tắc máy ở vị trí tắt trước khi cắm vào nguồn điện và/hay lắp pin vào, khi nhấn máy lên hay khi mang xách máy. Ngáng ngón tay vào công tắc máy để xách hay kích hoạt dụng cụ điện cầm tay khi công tắc ở vị trí mở dễ dẫn đến tai nạn.
- ▶ **Lấy mọi chìa hay khóa điều chỉnh ra trước khi mở điện dụng cụ điện cầm tay.** Khóa hay chìa còn gắn dính vào bộ phận quay của dụng cụ điện cầm tay có thể gây thương tích cho bản thân.
- ▶ **Không rướn người.** Luôn luôn giữ tư thế đứng thích hợp và thăng bằng. Điều này tạo cho việc điều khiển dụng cụ điện cầm tay tốt hơn trong mọi tình huống bất ngờ.
- ▶ **Trang phục thích hợp.** Không mặc quần áo rộng lủng lẳng hay mang trang sức. Giữ tóc và quần áo xa khỏi các bộ phận chuyển động. Quần áo rộng lủng lẳng, đồ trang sức hay tóc dài có thể bị cuốn vào các bộ phận chuyển động.
- ▶ **Nếu có các thiết bị đi kèm để nối máy hút bụi và các phụ kiện khác, bảo đảm các thiết bị này được nối và sử dụng tốt.** Việc sử dụng

các thiết bị gom hút bụi có thể làm giảm các độc hại liên quan đến bụi gây ra.

- ▶ **Không để thói quen do sử dụng thường xuyên dụng cụ khiến bạn trở nên chủ quan và bỏ qua các quy định an toàn dụng cụ.** Một hành vi bất cẩn có thể gây ra thương tích nghiêm trọng chỉ trong tích tắc.

Sử dụng và bảo dưỡng dụng cụ điện cầm tay

- ▶ **Không được ép máy.** Sử dụng dụng cụ điện cầm tay đúng loại theo đúng ứng dụng của bạn. Dụng cụ điện cầm tay nào mà không thể điều chỉnh được bằng công tắc là nguy hiểm và phải được sửa chữa.
- ▶ **Không sử dụng dụng cụ điện cầm tay nếu như công tắc không tắt và mở được.** Bất kỳ dụng cụ điện cầm tay nào mà không thể điều chỉnh được bằng công tắc là nguy hiểm và phải được sửa chữa.
- ▶ **Rút phích cắm ra khỏi nguồn điện và/hay pin ra khỏi dụng cụ điện cầm tay nếu có thể tháo được, trước khi tiến hành bất kỳ điều chỉnh nào, thay phụ kiện, hay cất dụng cụ điện cầm tay.** Các biện pháp ngăn ngừa như vậy làm giảm nguy cơ dụng cụ điện cầm tay khởi động bất ngờ.
- ▶ **Cất giữ dụng cụ điện cầm tay không dùng tới nơi trẻ em không lấy được và không cho người chưa từng biết dụng cụ điện cầm tay hay các hướng dẫn này sử dụng dụng cụ điện cầm tay.** Dụng cụ điện cầm tay nguy hiểm khi ở trong tay người chưa được chỉ cách sử dụng.
- ▶ **Bảo quản dụng cụ điện cầm tay và các phụ kiện.** Kiểm tra xem các bộ phận chuyển động có bị sai lệch hay kẹt, các bộ phận bị rạn nứt và các tình trạng khác có thể ảnh hưởng đến sự vận hành của máy. Nếu bị hư hỏng, phải sửa chữa máy trước khi sử dụng. Nhiều tai nạn xảy ra do bảo quản dụng cụ điện cầm tay tồi.
- ▶ **Giữ các dụng cụ cất bên và sạch.** Bảo quản đúng cách các dụng cụ cất có cạnh cắt bén làm giảm khả năng bị kẹt và dễ điều khiển hơn.
- ▶ **Sử dụng dụng cụ điện cầm tay, phụ kiện, đầu cài v. v., đúng theo các chỉ dẫn này, hãy lưu ý đến điều kiện làm việc và công việc phải thực hiện.** Sự sử dụng dụng cụ điện cầm tay khác với mục đích thiết kế có thể tạo nên tình huống nguy hiểm.
- ▶ **Giữ tay cầm và bề mặt nắm luôn khô ráo, sạch sẽ và không dính dầu mỡ.** Tay cầm và bề mặt nắm trơn trượt không đem lại thao tác an toàn và kiểm soát dụng cụ trong các tình huống bất ngờ.

Sử dụng và bảo quản dụng cụ dùng pin

- ▶ **Chỉ được sạc pin lại với bộ nạp điện do nhà sản xuất chỉ định.** Bộ nạp điện thích hợp cho

một loại pin có thể gây nguy cơ cháy khi sử dụng cho một loại pin khác.

- ▶ **Chỉ sử dụng dụng cụ điện cầm tay với loại pin được thiết kế đặc biệt dành riêng cho máy.** Sử dụng bất cứ loại pin khác có thể dẫn đến thương tật hay cháy.
- ▶ **Khi không sử dụng pin, để cách xa các vật bằng kim loại như kẹp giấy, tiền xu, chìa khoá, đinh, ốc vít hay các đồ vật kim loại nhỏ khác, thứ có thể tạo sự nối tiếp từ một đầu cực với một đầu cực khác.** Sự chập mạch của các đầu cực với nhau có thể gây bỏng hay cháy.
- ▶ **Bảo quản ở tình trạng tối, dung dịch từ pin có thể tứa ra; tránh tiếp xúc.** Nếu vô tình chạm phải, hãy xối nước để rửa. Nếu dung dịch vào mắt, cần thêm sự hỗ trợ của y tế. Dung dịch tiết ra từ pin có thể gây ngứa hay bỏng.
- ▶ **Không được sử dụng bộ pin hoặc dụng cụ đã bị hư hại hoặc bị thay đổi.** Pin hỏng hoặc bị thay đổi có thể gây ra những tác động không lường trước được như cháy nổ hoặc nguy cơ thương tích.
- ▶ **Không đặt bộ pin hoặc dụng cụ ở gần lửa hoặc nơi quá nhiệt.** Tiếp xúc với lửa hoặc nhiệt độ cao trên 130 °C có thể gây nổ.
- ▶ **Tuân thủ tất cả các hướng dẫn nạp và không nạp bộ pin hay dụng cụ ở bên ngoài phạm vi nhiệt độ đã được quy định trong các hướng dẫn.** Nạp không đúng cách hoặc ở nhiệt độ ngoài phạm vi nạp đã quy định có thể làm hư hại pin và gia tăng nguy cơ cháy.

Bảo dưỡng

- ▶ **Đưa dụng cụ điện cầm tay của bạn đến thợ chuyên môn để bảo dưỡng, chỉ sử dụng phụ tùng đúng chủng loại để thay.** Điều này sẽ đảm bảo sự an toàn của máy được giữ nguyên.
- ▶ **Không bao giờ sửa chữa các bộ pin đã hư hại.** Chỉ cho phép nhà sản xuất hoặc các nhà cung cấp dịch vụ có ủy quyền thực hiện dịch vụ sửa chữa cho các bộ pin.

Các hướng dẫn an toàn cho tua-vít

- ▶ **Chỉ cầm dụng cụ điện tại các bề mặt cầm nắm có cách điện, khi thực hiện một thao tác tại vị trí mà dụng cụ kẹp có thể tiếp xúc với dây điện ngầm.** Dụng cụ kẹp tiếp xúc với dây có điện có thể làm cho các phần kim loại hở của dụng cụ điện cầm tay có điện và có thể gây ra điện giật cho người vận hành.
- ▶ **Dùng thiết bị dò tìm thích hợp để xác định nếu có các công trình công cộng lắp đặt ngầm trong khu vực làm việc hay liên hệ với Cty công trình công cộng địa phương để nhờ hỗ trợ.** Dụng cụ chạm đường dẫn điện có thể gây ra hỏa hoạn và điện giật. Làm hư hại đường dẫn khí ga có thể gây nổ. Làm thủng ống dẫn nước

có thể làm hư hại tài sản hay có thể gây ra điện giật.

- ▶ **Giữ chặt dụng cụ điện.** Khi siết chặt và nới lỏng các vít, những mô-men phản ứng cao có thể xuất hiện trong thời gian ngắn.
- ▶ **Kẹp chặt vật gia công.** Vật gia công được kẹp bằng một thiết bị kẹp hay bằng ê-tô thì vững chắc hơn giữ bằng tay.
- ▶ **Luôn luôn đợi cho máy hoàn toàn ngừng hẳn trước khi đặt xuống.** Dụng cụ lắp vào máy có thể bị kẹp chặt dẫn đến việc dụng cụ điện cầm tay bị mất điều khiển.
- ▶ **Trong trường hợp pin bị hỏng hay sử dụng sai cách, hơi nước có thể bốc ra. Pin có thể cháy hoặc nổ.** Hãy làm cho thông thoáng khí và trong trường hợp bị đau phải nhờ y tế chữa trị. Hơi nước có thể gây ngứa hệ hô hấp.
- ▶ **Không được tháo pin ra.** Nguy cơ bị chập mạch.
- ▶ **Pin có thể bị hư hại bởi các vật dụng nhọn như đinh hay tước-nơ-vít hoặc bởi các tác động lực từ bên ngoài.** Nó có thể dẫn tới đoản mạch nội bộ và làm pin bị cháy, bốc khói, phát nổ hoặc quá nóng.
- ▶ **Chỉ sử dụng pin trong các sản phẩm của nhà sản xuất.** Chỉ bằng cách này, pin sẽ được bảo vệ tránh nguy cơ quá tải.



Bảo vệ pin không để bị làm nóng, ví dụ, chống để lâu dài dưới ánh nắng gay gắt, lửa, chất bẩn, nước, và sự ẩm ướt. Có nguy cơ nổ và chập mạch.



- ▶ **Dụng cụ gài có thể nóng lên khi hoạt động!** Có nguy cơ cháy khi thay dụng cụ gài. Sử dụng găng tay bảo vệ, để tháo dụng cụ gài.
- ▶ **Cẩn thận! Nếu sử dụng dụng cụ điện với công Bluetooth® có thể gây nhiễu các dụng cụ, thiết bị khác cũng như máy bay và dụng cụ y tế (ví dụ: máy tạo nhịp tim, máy trợ thính).** Và cũng không thể loại trừ hoàn toàn những tổn hại cho người và động vật ở môi trường trực diện xung quanh. Không sử dụng dụng cụ điện có kết nối Bluetooth® ở gần những thiết bị y tế, trạm xăng, cơ sở hóa học, các khu vực có nguy cơ gây nổ và các khu vực cháy nổ. Không sử dụng dụng cụ điện có kết nối Bluetooth® trên máy bay. Tránh để máy hoạt động gần cơ thể trong thời gian dài.

Biểu tượng chữ Bluetooth® cũng như biểu tượng ảnh (các logo) do công ty cổ phần Bluetooth SIG đăng ký nhãn hiệu và sở hữu. Công ty trách nhiệm hữu hạn Robert Bosch Power Tools GmbH đã được cấp phép để sử dụng những biểu tượng chữ/biểu tượng ảnh này với sản phẩm của mình.

Mô Tả Sản Phẩm và Đặc Tính Kỹ Thuật



Đọc kỹ mọi cảnh báo an toàn và mọi hướng dẫn. Không tuân thủ mọi cảnh báo và hướng dẫn được liệt kê dưới đây có thể bị điện giật, gây cháy và / hay bị thương tật nghiêm trọng.

Xin lưu ý các hình minh hoạt trong phần trước của hướng dẫn vận hành.

Sử dụng đúng cách

Máy được thiết kế để tháo hoặc bắt vít và bu-loong cũng như để siết hay tháo đai ốc trong phạm vi kích cỡ tương ứng.

Khi Bluetooth® Low Energy Module được sử dụng, dữ liệu và các cài đặt của dụng cụ điện có thể được truyền đi giữa dụng cụ điện và một thiết bị đầu cuối di động GCY 42 bằng công nghệ sóng vô tuyến Bluetooth®.

Các bộ phận được minh họa

Sự đánh số các biểu trưng của sản phẩm là để tham khảo hình minh họa của máy trên trang hình ảnh.

- (1) Phần lắp dụng cụ
- (2) Gạc vận chuyển đổi chiều quay
- (3) Nắp Bluetooth® Low Energy Module GCY 42
- (4) Leiterclip
- (5) Pin^{a)}
- (6) Nút tháo pin^{a)}
- (7) Giao diện người dùng
- (8) Công tắc Tắt/Mở
- (9) Tay nắm (bề mặt nắm cách điện)
- (10) Dụng cụ gài (ví dụ chia vặn ống lồng)^{a)}

Giao diện người dùng

- (11) Hiển thị trạng thái dụng cụ điện
- (12) Hiển thị chế độ
- (13) Nút đèn làm việc (GDS 18V-1000, GDS 18V-1050 H)
- (14) Nút chế độ (GDS 18V-1000 C, GDS 18V-1050 HC)
- (15) Đèn làm việc
- (16) Nút chọn trước tốc độ
- (17) Hiển thị mức chọn trước tốc độ

- a) Phụ tùng được trình bày hay mô tả không phải là một phần của tiêu chuẩn hàng hóa được giao kèm theo sản phẩm. Bạn có thể tham khảo tổng thể các loại phụ tùng, phụ kiện trong chương trình phụ tùng của chúng tôi.

Thông số kỹ thuật

Máy Bút Vít Pin Đập		GDS 18V-1000	GDS 18V-1050 H	GDS 18V-1000 C	GDS 18V-1050 HC
Mã số máy		3 601 JJ8 3..	3 601 JJ8 5..	3 601 JJ8 0..	3 601 JJ8 2..
Điện thế danh định	V=	18	18	18	18
Tốc độ không tải ^{A)}					
– Thiết lập 1	min ⁻¹	0–800	0–800	0–800	0–800
– Thiết lập 2	min ⁻¹	0–1200	0–1 200	0–1300	0–1300
– Thiết lập 3	min ⁻¹	0–1750	0–1 750	0–1750	0–1750
Tần suất đập ^{A)}					
– Thiết lập 1	min ⁻¹	0–1600	0–1600	0–1600	0–1600
– Thiết lập 2	min ⁻¹	0–2400	0–2400	0–2300	0–2300
– Thiết lập 3	min ⁻¹	0–2600	0–2600	0–2600	0–2600
Mô men xoắn ^{A)}					
– Thiết lập 1	Nm	0–350	0–350	0–350	0–350
– Thiết lập 2	Nm	0–700	0–750	0–650	0–650
– Thiết lập 3	Nm	0–1000	0–1050	0–1000	0–1050
Mô-men xoắn tối đa ^{A)}	Nm	1000	1050	1000	1050
Mô-men nhà tối đa ^{A)}	Nm	1600	1700	1600	1700
Ø Vít máy	mm	M14–M24	M14–M24	M14–M24	M14–M24
Phần lắp dụng cụ		■ ½"	■ ¾"	■ ½"	■ ¾"
Trọng lượng theo EPTA-Procedure 01:2014 ^{B)}	kg	3,3–4,4	3,3–4,4	3,3–4,4	3,3–4,4
Nhiệt độ môi trường được khuyến nghị khi sạc	°C	0 ... +35	0 ... +35	0 ... +35	0 ... +35
Nhiệt độ môi trường cho phép trong quá trình vận hành và trong quá trình lưu trữ	°C	–20 ... +50	–20 ... +50	–20 ... +50	–20 ... +50
Pin tương thích		GBA 18V... ProCORE18V...	GBA 18V... ProCORE18V...	GBA 18V... ProCORE18V...	GBA 18V... ProCORE18V...
Pin được khuyến dùng cho công suất tối đa		ProCORE18V... ≥ 5,5 Ah	ProCORE18V... ≥ 5,5 Ah	ProCORE18V... ≥ 5,5 Ah	ProCORE18V... ≥ 5,5 Ah
Thiết bị nạp được giới thiệu		GAL 18... GAX 18... GAL 36...	GAL 18... GAX 18... GAL 36...	GAL 18... GAX 18... GAL 36...	GAL 18... GAX 18... GAL 36...
Truyền dữ liệu					
<i>Bluetooth</i> ^{C)}		–	–	<i>Bluetooth</i> [®] 4.1 (Low Energy)	<i>Bluetooth</i> [®] 4.1 (Low Energy)
Khoảng cách giữa các tín hiệu	s	–	–	8	8
Phạm vi tín hiệu tối đa ^{D)}	m	–	–	30	30

A) Được đo ở 20–25 °C với pin **ProCORE18V 8.0Ah**.

B) Đã đo với **GBA 18V 1.5Ah** và **GBA 18V 12Ah**.

C) Các thiết bị đầu cuối di động phải tương thích với các thiết bị *Bluetooth*[®]-Low-Energy (Phiên bản 4.1) và phải hỗ trợ Generic Access Profile (GAP).

D) Phạm vi có thể biến đổi mạnh tùy thuộc vào điều kiện bên ngoài, bao gồm thiết bị thu nhận được dùng. Trong các phòng kín và qua các rào chắn kim loại (ví dụ tường, giá, va li, v.v.) phạm vi *Bluetooth*[®] có thể nhỏ hơn.

Sự lắp vào

- ▶ **Trước khi tiến hành bất cứ công việc gì với máy (ví dụ bảo dưỡng, thay dụng cụ v.v..) cũng như khi vận chuyển hay lưu kho, tháo pin ra khỏi dụng cụ điện.** Có nguy cơ gây thương tích khi vô tình làm kích hoạt công tắc Tắt/Mở.

Tháo Pin

- ▶ **Chỉ sử dụng bộ sạc được đề cập trong dữ liệu kỹ thuật.** Chỉ những bộ sạc này phù hợp cho dụng cụ điện cầm tay của bạn có sử dụng pin Li-Ion.

Hướng dẫn: Pin đã được sạc một phần. Để bảo đảm đầy đủ điện dung, nạp điện hoàn toàn lại cho pin trong bộ nạp điện pin trước khi sử dụng cho lần đầu tiên.

Pin Li-Ion hợp khối có thể nạp điện bất cứ lúc nào mà không làm giảm tuổi thọ của pin. Sự gián đoạn trong quá trình nạp điện không làm hư hại pin hợp khối.

Pin Li-Ion được bảo vệ ngăn sự phóng điện quá lớn nhờ vào "Electronic Cell Protection (ECP)". Nếu pin bị phóng điện, dụng cụ điện cầm tay sẽ được ngắt bởi một mạch bảo vệ: Dụng cụ điện không chuyển động nữa.

- ▶ **Có nguy cơ gây thương tích khi vô tình làm kích hoạt công tắc Tắt/Mở.** Pin có thể bị hỏng.

Quy trình hoạt động được chia ra làm hai giai đoạn.

Tháo pin ra

Pin (5) có hai mức khóa, có nhiệm vụ ngăn ngừa pin bị rơi ra do vô ý bấm phải nút tháo pin (6). Cứ khi nào pin còn được lắp trong dụng cụ điện, nó vẫn được giữ nguyên vị trí nhờ vào một lò xo.

Để tháo pin (5) bạn hãy ấn nút mở (6) và đẩy pin ra khỏi dụng cụ điện cầm tay. **Không dùng sức.**

Đèn báo trạng thái nạp pin

Các đèn LED màu xanh của màn hình hiển thị tình trạng sạc pin chỉ ra tình trạng sạc của pin. Vì lý do an toàn, ta chỉ có thể kiểm tra trạng thái của tình trạng nạp điện khi máy đã ngừng hoạt động hoàn toàn.

Để hiển thị tình trạng nạp, bạn hãy nhấn nút để hiển thị mức sạc ☺ hoặc ☹. Điều này cũng có thể thực hiện khi ắc quy được tháo ra.

Đèn LED không sáng sau khi nhấn nút để hiển thị mức sạc có nghĩa là pin bị hỏng và phải được thay thế.

Kiểu pin GBA 18V...



Đèn LED	Điện dung
Đèn sáng liên tục 3× xanh lục	60–100 %

Đèn LED	Điện dung
Đèn sáng liên tục 2× xanh lục	30–60 %
Đèn sáng liên tục 1× xanh lục	5–30 %
Đèn xi nhan 1× xanh lục	0–5 %

Kiểu pin ProCORE18V...



Đèn LED	Điện dung
Đèn sáng liên tục 5× xanh lục	80–100 %
Đèn sáng liên tục 4× xanh lục	60–80 %
Đèn sáng liên tục 3× xanh lục	40–60 %
Đèn sáng liên tục 2× xanh lục	20–40 %
Đèn sáng liên tục 1× xanh lục	5–20 %
Đèn xi nhan 1× xanh lục	0–5 %

Sử dụng Bluetooth® Low Energy Module GCY 42 (Phụ kiện)

Để biết thông tin về Bluetooth® Low Energy Module **GCY 42**, hãy đọc hướng dẫn vận hành đi kèm.

Thay đổi khuôn đúc (xem hình A–B)

- ▶ **Trước khi tiến hành bất cứ công việc gì với máy (ví dụ bảo dưỡng, thay dụng cụ v.v..) cũng như khi vận chuyển hay lưu kho, tháo pin ra khỏi dụng cụ điện.** Có nguy cơ gây thương tích khi vô tình làm kích hoạt công tắc Tắt/Mở.
- ▶ **Khi sử dụng dụng cụ gài, chú ý sao cho dụng cụ nằm chắc chắn ở phần lắp dụng cụ.** Khoảng thời gian đập được xác định cho từng lực siết riêng lẻ cần có. Để biết lực siết thực tế đạt được, luôn luôn kiểm tra bằng một cờ-lê sử dụng lực xoắn.

Hãy đẩy phụ tùng (10) lên hình vuông của phần lắp dụng cụ (1).

Vận Hành

Cách Thức Hoạt Động

Phần lắp dụng cụ (1) có phụ tùng được truyền động bằng một động cơ điện qua hộp số và đập cơ học.

Quá trình làm việc được chia làm hai giai đoạn: **Vặn vít** và **Siết chặt** (Va đập cơ học đang hoạt động).

Sự đập cơ học có tác động ngay khi việc bắt vít vào đã chặt cứng và vì vậy tải trong được chuyển đặt lên mô-tơ. Các trường hợp ứng dụng có kết quả theo tương ứng như sau: Khi tháo vít hay đai ốc ra, quy trình chuyển đổi ngược lại.

Bắt Đầu Vận Hành

- **Luôn đặt dụng cụ điện ở bên cạnh và không đặt lên pin.** Tùy theo dụng cụ gài và pin được sử dụng mà dụng cụ điện có thể bị lật.

Tháo Pin

Hướng dẫn: Việc sử dụng pin không phù hợp với dụng cụ điện có thể dẫn đến lỗi chức năng hoặc gây hỏng dụng cụ điện.

Hãy đẩy pin đã sạc (5) vào chân của dụng cụ điện cầm tay, cho đến khi pin được khóa an toàn.

Điều chỉnh hướng xoay (xem hình E)

Với gạt vận chuyển đổi chiều quay (2) bạn có thể thay đổi hướng xoay của dụng cụ điện. Tuy nhiên, việc này không thực hiện được khi công tắc Tắt/Mở được nhấn (8).

Xoay theo chiều kim đồng hồ: Để vận các vít và siết các đai ốc hãy nhấn gạt vận chuyển đổi chiều quay (2) sang bên trái cho tới cỡ chặn.

Xoay ngược chiều kim đồng hồ: Để nới lỏng hoặc tháo các vít và đai ốc hãy nhấn gạt vận chuyển đổi chiều quay (2) sang bên phải cho tới cỡ chặn.

Hiện thị trạng thái

Hiện thị trạng thái dụng cụ điện (11)	Ý nghĩa/Nguyên nhân	Cách khắc phục
Màu xanh lá	Trạng thái OK	–
Vàng	Đạt nhiệt độ tới hạn hoặc ắc quy gần cạn	Không cho dụng cụ điện hoạt động ở chế độ không tải và hãy để nguội, thay hoặc sạc ắc quy sớm
Sáng đỏ	Dụng cụ điện bị quá nhiệt hoặc ắc quy cạn	Đề nguội dụng cụ điện, thay hoặc sạc ắc quy
Nhảy xanh dương	Dụng cụ điện được kết nối với thiết bị đầu cuối di động hoặc các cài đặt được truyền đi	–

Chọn trước tốc độ

Với nút để chọn trước tốc độ (16), bạn có thể chọn trước số vòng quay cần thiết ở 3 cấp độ. Nhấn nút bàn phím (16) liên tục, cho đến khi thiết lập mong muốn được báo hiệu trên màn hình hiển thị chỉ số vòng quay (17). Lưu các thiết lập được chọn.

GDS 18V-1000 C / GDS 18V-1050 HC:

Bạn có thể chọn sẵn Chọn trước tốc độ qua Bosch Toolbox App.

Tốc độ cần có tùy thuộc vào vật liệu và điều kiện hoạt động, và có thể xác định được bằng thử nghiệm thực tế.

Các số liệu trong bảng dưới đây là các tiêu chuẩn được khuyến nghị.

Chỉnh đặt Tốc độ/Tần suất Đập

Bạn có thể liên tục điều chỉnh tốc độ/tần suất đập của dụng cụ điện đang bật tùy theo mức độ bấm công tắc Tắt/Mở mạnh hay nhẹ (8).

Bấm nhẹ công tắc Tắt/Mở (8) sẽ cho tốc độ/tần suất đập thấp. Lực áp mạnh hơn lên công tắc làm tăng tốc độ và tần suất đập.

Bật Mở và Tắt

Để **vận hành thử** dụng cụ điện hãy nhấn công tắc Tắt/Mở (8) và nhấn giữ.

Đèn làm việc (15) bật sáng khi công tắc Tắt/Mở được nhấn nhẹ hoặc nhấn hết cỡ (8) và cho phép chiếu sáng khu vực làm việc ở các điều kiện chiếu sáng kém.

Để tắt máy, **nhả** công tắc Tắt/Mở (8) ra.

Giao diện người dùng (xem hình D-E)

GDS 18V-1000 C / GDS 18V-1050 HC:

Giao diện người dùng (7) dùng để chọn trước tốc độ và chọn trước chế độ làm việc cũng như hiển thị tình trạng của dụng cụ điện.

Thiết lập cơ bản số vòng quay theo cấp độ

1	2	3
[min ⁻¹]	[min ⁻¹]	[min ⁻¹]

Số lượng mức tốc độ

3	0-1100	0-2300	0-3400
----------	--------	--------	--------

Với nút để chọn trước tốc độ (16), bạn có thể chọn trước số vòng quay cần thiết cả khi đang vận hành.

Bật đèn làm việc

GDS 18V-1000 / GDS 18V-1050 H:

Để bật hoặc tắt đèn làm việc (15) hãy nhấn phím đèn làm việc (13).

- **Không nhìn thẳng vào đèn chiếu sáng nơi làm việc, bạn có thể bị lóa mắt.**

Chọn chế độ làm việc

GDS 18V-1000 C / GDS 18V-1050 HC:

Dụng cụ điện có 2 chế độ làm việc **A** và **B (12)**.

Bạn có thể lập trình thêm chế độ làm việc cho các ứng dụng khác nhau qua Bosch Toolbox App dưới **A** và **B (12)** và chỉnh chế độ hiện tại.

Để chuyển đổi giữa các chế độ làm việc **A** và **B (12)**, hãy nhấn nút **(14)**.

Hướng Dẫn Sử Dụng

► Chỉ đặt dụng cụ điện đã tắt lên đai ốc/vít.

Dụng cụ đang quay có thể bị tuột ra.

► Dụng cụ điện với mô-đun Bluetooth® Low Energy Module GCY 42 đã lắp (phụ kiện) được trang bị một giao diện sóng vô tuyến.

Hãy chú ý các giới hạn địa điểm hoạt động ví dụ như trên máy bay hoặc bệnh viện.

Momen xoắn tùy thuộc vào khoảng thời gian va đập. Momen xoắn đạt mức tối đa được tạo nên từ tổng momen xoắn riêng biệt được hoàn thành qua sự va đập. Mô men xoắn tối đa đạt được sau khoảng thời gian đập 6–10 giây. Sau khoảng thời gian này, lực siết chặt chỉ tăng thêm ở mức tối thiểu.

Khoảng thời gian đập được xác định cho từng lực siết riêng lẻ cần có. Để biết lực siết thực tế đạt được, luôn luôn kiểm tra bằng một cờ-lê sử dụng lực xoắn.

Vận vít với điểm tựa cứng, có lò xo hoặc mềm

Nếu mô-men xoắn đạt được theo trình tự và đập được đo và được truyền tới biểu đồ, bạn sẽ thấy đường cong biến thiên của lực xoắn. Chiều cao của

Giá trị tiêu chuẩn cho mô-men xoắn siết vít

Thông số theo Nm, được tính từ tiết diện kéo căng; Tân dụng giới hạn rã 90 % (ở hệ số ma sát $\mu_{tot} = 0,12$). Luôn luôn kiểm tra lực siết vận lại bằng máy vận dùng lực xoắn như là một biện pháp kiểm soát.

Thuộc tính Chủng loại theo tiêu chuẩn Đức DIN 267	Vít/Bu-loong tiêu chuẩn										Bu-loong có sức bền cao	
	3.6	4.6	5.6	4.8	6.6	5.8	6.8	6.9	8.8	10.9	12.9	
M10	13	17.5	22	23	26	29	35	39	47	65	78	
M12	22.6	30	37.6	40	45	50	60	67	80	113	135	
M14	36	48	60	65	72	79	95	107	130	180	215	
M16	55	73	92	98	110	122	147	165	196	275	330	
M18	75	101	126	135	151	168	202	227	270	380	450	
M20	107	143	178	190	214	238	286	320	385	540	635	
M22	145	190	240	255	290	320	385	430	510	715	855	
M24	185	245	310	325	370	410	490	455	650	910	1100	

Mách nước

Trước khi bắt một vít lớn, dài hơn bình thường vào vật liệu cứng, nên khoan trước một lỗ mới có cùng đường kính răng vít vào sâu vào khoảng 2/3 của chiều dài vít.

đường cong tương ứng với lực xoắn tối đa có thể đạt được, và đường đi xuống thể hiện khoảng thời gian trong đó động thái này hoàn thành.

Đường biến thiên của lực xoắn dựa trên các yếu tố sau:

- Tính chất bền của vít/đai ốc
- Loại đệm trợ lực (vòng lót, đệm lò xo, vòng đệm kín)
- Tính chất bền của vật liệu được bắt ghép bằng vít/bu-loong
- Tình trạng bôi trơn tại nơi bắt vít/bu-loong

Các trường hợp ứng dụng có kết quả theo tương ứng như sau:

- **Điểm tựa cứng** được sử dụng tại các mối bắt vít kim loại trên kim loại khi sử dụng các vòng đệm. Sau thời gian đập tương đối ngắn, lực xoắn tối đa hoàn thành (đặt tính của đường cong đi xuống). Không cần phải có khoảng thời gian đập dài vì làm thế chỉ làm cho máy bị hỏng.
- **Điểm tựa có lò xo** được sử dụng tại các mối bắt vít kim loại trên kim loại, tuy nhiên là khi sử dụng các vòng lò xo, đệm lò xo, chốt ren hoặc vít/đai ốc với điểm tựa hình côn cũng như khi sử dụng các phần kéo dài.
- **Điểm tựa mềm** được sử dụng tại các mối bắt vít kim loại trên gỗ, hoặc khi sử dụng các đĩa sợi hoặc đĩa chì làm đệm.

Đối với điểm tựa có đệm lò xo chịu tải cũng như điểm tựa mềm, lực siết chặt tối đa thấp hơn điểm tựa cứng. Cũng như thế, đương nhiên là cần có khoảng thời gian đập dài hơn.

Lưu ý: Lưu ý không để các mảnh nhỏ kim loại lọt vào trong dụng cụ điện.

Sau một thời gian làm việc dài với tốc độ vòng quay thấp, bạn cần cho dụng cụ điện quay không tải với tốc độ tối đa trong khoảng 3 phút để làm mát.

Lưu ý để bảo quản pin tối ưu

Bảo vệ pin tránh ẩm ướt và nước.

Chỉ bảo quản pin trong tầm nhiệt độ nằm giữa -20 °C và 50. Không để pin trong ô tô vào mùa hè.

Sự giảm sút đáng kể thời gian hoạt động sau khi nạp điện chỉ rõ rằng pin hợp khối đã hết công dụng và phải được thay.

Qui trình hoạt động được chia ra làm hai giai đoạn.

Leiterclip

Với Leiterclip (4), bạn có thể treo dụng cụ điện, ví dụ, vào thang.



Vít của Leiterclip phải được siết chặt bằng mô-men xoắn siết 2,0–2,5 Nm.

Điều khiển qua ứng dụng**GDS 18V-1000 C / GDS 18V-1050 HC:**

Dụng cụ điện có thể được trang bị mô-đun Bluetooth®, sẽ cho phép truyền dữ liệu đến các thiết bị đầu cuối di động nhất định có giao diện Bluetooth® (ví dụ Smartphone, máy tính bảng) nhờ công nghệ không dây.

Để có thể điều khiển dụng cụ điện qua Bluetooth®, cần có ứng dụng Bosch "Bosch Toolbox". Tải ứng dụng qua kho ứng dụng tương ứng (Apple App Store, Google Play Store).

Chọn thuộc tính subitem trong ứng dụng "My Tools". Màn hình hiển thị của thiết bị đầu cuối di động cho biết các bước tiếp theo để kết nối dụng cụ điện với thiết bị đầu cuối.

Sau khi kết nối tới thiết bị đầu cuối di động được tạo ra, sẽ có các chức năng sau:

- Đăng ký và cá nhân hóa
- Kiểm tra trạng thái, phát các thông báo cảnh báo
- Các thông tin và cài đặt chung
- Quản lý
- Cài đặt của mức tốc độ
- Cài đặt chế độ làm việc

Bảo Dưỡng và Bảo Quản**Bảo Dưỡng Và Làm Sạch**

- ▶ **Thường xuyên làm sạch các khe thông gió của dụng cụ điện.** Quạt gió motor sẽ kéo bụi nằm trong vỏ máy ra và sự tích tụ quá nhiều bột kim loại có thể gây nên các nguy hiểm về điện.
- ▶ **Trước khi tiến hành bất cứ công việc gì với máy (ví dụ bảo dưỡng, thay dụng cụ v.v..) cũng như khi vận chuyển hay lưu kho, tháo pin ra khỏi dụng cụ điện.** Có nguy cơ gây thương tích khi vô tình làm kích hoạt công tắc Tắt/Mở.
- ▶ **Để được an toàn và máy hoạt động đúng chức năng, luôn luôn giữ máy và các khe thông gió được sạch.**

Dịch vụ hỗ trợ khách hàng và tư vấn sử dụng

Bộ phận phục vụ hàng sau khi bán của chúng tôi trả lời các câu hỏi liên quan đến việc bảo dưỡng và sửa chữa các sản phẩm cũng như phụ tùng thay thế của bạn. Sơ đồ mô tả và thông tin về phụ tùng thay thế cũng có thể tra cứu theo dưới đây:

www.bosch-pt.com

Đội ngũ tư vấn sử dụng của Bosch sẽ giúp bạn giải đáp các thắc mắc về sản phẩm và phụ kiện.

Trong tất cả các phản hồi và đơn đặt phụ tùng, xin vui lòng luôn luôn nhập số hàng hóa 10 chữ số theo nhãn của hàng hóa.

Việt Nam

CN CÔNG TY TNHH BOSCH VIỆT NAM TẠI TP.HCM

Tầng 14, Ngôi Nhà Đức, 33 Lê Duẩn
Phường Bến Nghé, Quận 1, Thành Phố Hồ Chí Minh

Tel.: (028) 6258 3690

Fax: (028) 6258 3692 - 6258 3694

Hotline: (028) 6250 8555

Email: tuvankhachhang-pt@vn.bosch.com

www.bosch-pt.com.vn

www.baohanhbosch-pt.com.vn

Xem thêm địa chỉ dịch vụ tại:

www.bosch-pt.com/serviceaddresses

Vận chuyển

Pin có chứa Li-Ion là đối tượng phải tuân theo các qui định của Pháp Luật về Hàng Hóa Nguy Hiểm. Người sử dụng có thể vận chuyển pin hợp khối bằng đường bộ mà không cần thêm yêu cầu nào khác.

Khi được vận chuyển thông qua bên thứ ba (vd. vận chuyển bằng đường hàng không hay đại lý giao nhận), phải tuân theo các yêu cầu đặc biệt về đóng gói và dán nhãn. Phải tham vấn chuyên gia về hàng hóa nguy hiểm khi chuẩn bị gói hàng.

Chỉ gửi pin hợp khối khi vỏ ngoài không bị hư hỏng. Dán băng keo hay che kín các điểm tiếp xúc hở và đóng gói pin hợp khối theo cách sao cho pin không thể xê dịch khi nằm trong bao bì. Ngoài ra, xin vui lòng chấp hành các qui định chi tiết có thể được bổ sung thêm của quốc gia.

Sự thải bỏ

Dụng cụ điện, pin, phụ kiện và bao bì cần được tái sử dụng theo quy định về môi trường.



Bạn không được ném dụng cụ điện và pin vào thùng rác gia đình!

Pin/ác quy:

Li-Ion:

86 | Tiếng Việt

Tuân thủ những hướng dẫn trong phần vận chuyển
(xem „Vận chuyển“, Trang 85).

مخصص للاستعمال الخارجي من خطر الصدمات الكهربائية.

◀ **إن لم يكن بالإمكان تجنب تشغيل العدة الكهربائية في الأجواء الرطبة، فاستخدم مفتاح للوقاية من التيار المتخلف.** إن استخدام مفتاح للوقاية من التيار المتخلف يقلل خطر الصدمات الكهربائية.

أمان الأشخاص

◀ **كن يقظا وانتبه إلى ما تفعله واستخدم العدة الكهربائية بتعقل.** لا تستخدم عدة كهربائية عندما تكون متعبا أو عندما تكون تحت تأثير المخدرات أو الكحول أو الأدوية. عدم الانتباه للحظة واحدة عند استخدام العدة الكهربائية قد يؤدي إلى إصابات خطيرة.

◀ **قم لارتداء تجهيزات الحماية الشخصية. وارتد دائما نظارات واقية.** يعد ارتداء تجهيزات الحماية الشخصية، كقناع الوقاية من الغبار وأحذية الأمان الواقية من الانزلاق والوذو أو واقية الأذنين، حسب ظروف استعمال العدة الكهربائية، من خطر الإصابة بجروح.

◀ **تجنب التشغيل بشكل غير مقصود.** تأكد من كون العدة الكهربائية مطفأة قبل توصيلها بالتيار الكهربائي و/أو بالمركم، وقبل رفعها أو حملها. إن كنت تضع إصبعك على المفتاح أثناء حمل العدة الكهربائية أو إن وصلت الجهاز بالشبكة الكهربائية بينما لامفتاح على وضع التشغيل، قد يؤدي إلى وقوع الحوادث.

◀ **انزع أداة الضبط أو مفتاح الربط قبل تشغيل العدة الكهربائية.** قد تؤدي الأداة أو المفتاح المتواجد في جزء دوار من الجهاز إلى الإصابة بجروح.

◀ **تجنب أوضاع الجسم غير الطبيعية.** قف بأمان وحافظ على توازنك دائما. سيسمح لك ذلك بالتمكّن في الجهاز بشكل أفضل في المواقف الغير متوقعة.

◀ **قم بارتداء ثياب مناسبة.** لا ترتد الثياب الفضفاضة أو الحلى. احرص على إبقاء الشعر والملابس بعيدا عن الأجزاء المتحركة. قد تشابك الثياب الفضفاضة والحلى والشعر الطويل بالأجزاء المتحركة.

◀ **إن جاز تركيب تجهيزات شفت وتجميع الغبار، فتأكد من أنها موصولة وبأنه يتم استخدامها بشكل سليم.** قد يقلل استخدام تجهيزات لشفط الغبار من المخاطر الناتجة عن الغبار.

◀ **لا تستخدم العدة الكهربائية بلا مبالاة وتجاهل قواعد الأمان الخاصة بها نتيجة لتعودك على استخدام العدة الكهربائية وكثرة استخدامها.** فقد يتسبب الاستخدام دون حرص في حدوث إصابة بالغة تحدث في أجزاء من الثانية.

◀ **حسن معاملة واستخدام العدد الكهربائية**

◀ **لا تفرط بتحميل الجهاز. استخدم لتفنيذ أشغالك العدة الكهربائية المخصصة لذلك.** إنك تعمل بشكل أفضل وأكثر أماناً بواسطة العدة الكهربائية الملائمة في مجال الأداء المذكور.

◀ **لا تستخدم العدة الكهربائية إن كان مفتاح تشغيلها تالف.** العدة الكهربائية التي لم يعد من

عربي

إرشادات الأمان

الإرشادات العامة للأمان بالعدد الكهربائية

تحذير

اطلع على كافة تحذيرات الأمان والتعليمات والصور والمواصفات المرفقة بالعدة الكهربائية. عدم اتباع التعليمات الواردة أدناه قد يؤدي إلى حدوث صدمة كهربائية، إلى نشوب حريق و/أو الإصابة بجروح خطيرة.

احتفظ بجميع الملاحظات التحذيرية والتعليمات للمستقبل.

يقصد بمصطلح «العدة الكهربائية» المستخدم في الملاحظات التحذيرية، العدد الكهربائي الموصولة بالشبكة الكهربائية (بواسطة كابل الشبكة الكهربائية) وأيضا العدد الكهربائي المزودة بمركم (دون كابل الشبكة الكهربائية).

الأمان بمكان الشغل

◀ **حافظ على نظافة مكان شغلك وإضاءته بشكل جيد.** الفوضى في مكان الشغل ونطاقات العمل غير المضأة قد تؤدي إلى وقوع الحوادث.

◀ **لا تشغل بالعدة الكهربائية في نطاق معرض لخطر الانفجار مثل الأماكن التي تتوفر فيه السوائل أو الغازات أو الأعبرة القابلة للاشتعال.** العدد الكهربائي تولد شررا قد يتطاير، فيشعل الأعبرة والأبخرة.

◀ **حافظ على بقاء الأطفال وغيرهم من الأشخاص بعيدا عندما تستعمل العدة الكهربائية.** تشتيت الانتباه قد يتسبب في فقدان السيطرة على الجهاز.

الأمان الكهربائي

◀ **يجب أن يتلائم قابس العدة الكهربائية مع المقبس.** لا يجوز تغيير القابس بأي حال من الأحوال. لا تستعمل القوايس المهائية مع العدد الكهربائية المؤرّضة (ذات طرف أرضي). تخفّف القوايس التي لم يتمّ تغييرها والمقابس الملائمة من خطر الصدمات الكهربائية.

◀ **تجنب ملامسة جسمك للأسطح المؤرّضة كالأنابيب والمبردات والمواقد أو التلاجات.** يزداد خطر الصدمات الكهربائية عندما يكون جسمك مَوْض أو موصل بالأرضي.

◀ **أبعد العدة الكهربائية عن الأمطار أو الرطوبة.** يزداد خطر الصدمات الكهربائية إن تسرب الماء إلى داخل العدة الكهربائية.

◀ **لا تسيّ استعمال الكابل.** لا تستخدم الكابل في حمل العدة الكهربائية أو سحبها أو سحب القابس من المقبس. احرص على إبعاد الكابل عن الحرارة والزيت والحواف الحادة أو الأجزاء المتحركة. تزيد الكابلات التالفة أو المتشابكة من خطر الصدمات الكهربائية.

◀ **عند استخدام العدة الكهربائية خارج المنزل اقتصر على استخدام كابلات التمديد الصالحة للاستعمال الخارجي.** يقلل استعمال كابل تمديد

- ذلك. قد يؤدي سائل المرمك المتسرب إلى تهيج البشرة أو إلى الاحتراق.
- ◀ لا تستخدم عدة أو مرمك تعرضاً لأضرار أو للتعديل. البطاريات المتعرضة لأضرار أو لتعديلات قد ينتج عنها أشياء لا يمكن التنبؤ بها، قد تسبب نشوب حريق أو حدوث انفجار أو إصابات.
- ◀ لا تعرض المرمك أو العدة للهب أو لدرجة حرارة زائدة. التعرض للهب أو لدرجة حرارة أعلى من 130 °م قد يتسبب في انفجار.
- ◀ اتبع تعليمات الشحن ولا تقم بشحن المرمك أو العدة خارج نطاق درجة الحرارة المحدد في التعليمات. الشحن بشكل غير صحيح أو في درجات حرارة خارج النطاق المحدد قد يعرض المرمك لأضرار ويزيد من مخاطر الحريق.

الخدمة

- ◀ احرص على إصلاح عدتك الكهربائية فقط بواسطة العمال المتخصصين وباستعمال قطع الغيار الأصلية فقط. يضمن ذلك المحافظة على أمان الجهاز.
- ◀ لا تقم بإجراء أعمال خدمة على المراكم التالفة. أعمال الخدمة على المراكم يجب أن تقوم بها الجهة الصانعة فقط أو مقدم الخدمة المعتمد.

إرشادات الأمان لمفكات اللوالب الدقاقة

- ◀ أمسك العدة الكهربائية من أسطح المسك المعزولة عند القيام بأعمال قد يترتب عليها ملامسة أداة الربط لأسلاك كهربائية غير ظاهرة. قد يتسبب تلامس أداة الربط مع سلك «مكهرب» في مرور التيار في الأجزاء المعدنية من العدة وجعلها مكهربة مما قد يصيب المشغل بصدمة كهربائية.
- ◀ استخدم أجهزة تنقيب ملائمة للعثور على خطوط الامداد غير الظاهرة، أو استعن بشركة الامداد المحلية. ملامسة الخطوط الكهربائية قد تؤدي إلى اندلاع النار وإلى الصدمات الكهربائية. حدوث أضرار ببط الغاز قد يؤدي إلى حدوث انفجارات. اختراق خط الماء يتسبب في وقوع أضرار مادية.
- ◀ أمسك بالعدة الكهربائية بإحكام. قد تتشكل عزوم رد فعل عالية لوهلة قصيرة عند إحكام شد وخط اللوالب.
- ◀ احرص على تأمين قطعة الشغل. قطعة الشغل المثبتة بواسطة تجهيزه شد أو بواسطة الملزمة مثبتة بأمان أكبر مما لو تم الإمساك بها بواسطة يدك.
- ◀ انتظر إلى أن تتوقف العدة الكهربائية عن الحركة قبل أن تضعها جانباً. قد تتكلم عدة الشغل فتؤدي إلى فقدان السيطرة على العدة الكهربائية.
- ◀ قد تنطلق أبخرة عند تلف المرمك واستخدامه بطريقة غير ملائمة. يمكن أن يحترق المرمك أو يتعرض للانفجار. أمن توفر الهواء النقي وراجع الطبيب إن شعرت بشكوى. قد تهيج هذه الأبخرة المجاري التنفسية.

- الممكن التحكم بها عن طريق مفتاح التشغيل والإطفاء تعتبر خطيرة ويجب أن يتم إصلاحها.
- ◀ اسحب القابس من المقبس و/أو أخلع المرمك، إذا كان قابلاً للخلع، قبل ضبط الجهاز وقبل استبدال الملحقات أو قبل تخزين الجهاز. تمنع هذه الإجراءات وقائية تشغيل العدة الكهربائية بشكل غير مقصود.
- ◀ احتفظ بالعدد الكهربائية التي لا يتم استخدامها بعيداً عن متناول الأطفال. لا تسمح باستخدام العدة الكهربائية لمن لا خبرة له بها أو لمن لم يقرأ تلك التعليمات. العدد الكهربائية خطيرة إن تم استخدامها من قبل أشخاص دون خبرة.
- ◀ اعتن بالعدة الكهربائية والملحقات بشكل جيد. تأكد أن أجزاء الجهاز المتحركة مركبة بشكل سليم وغير مستعصية عن الحركة، وتفحص ما إن كانت هناك أجزاء مكسورة أو في حالة تؤثر على سلامة أداء العدة الكهربائية. ينبغي إصلاح هذه الأجزاء التالفة قبل إعادة تشغيل الجهاز. الكثير من الموادث مصدرها العدد الكهربائية التي تتم صيانتها بشكل رديء.
- ◀ احرص على إبقاء عدد القطع نظيفة وحادة. إن عدد القطع ذات حواف القطع المادة التي تم صيانتها بعناية تتكلم بشكل أقل ويمكن توجيهها بشكل أيسر.
- ◀ استخدم العدد الكهربائية والتوابع وريش الشغل إلخ. وفقاً لهذه التعليمات. تراعى أثناء ذلك ظروف الشغل والعمل المراد تنفيذه. استخدام العدد الكهربائية لغير الأشغال المخصصة لأجلها قد يؤدي إلى حدوث الحالات الخطيرة.
- ◀ احرص على إبقاء المقابض وأسطح المسك جافة ونظيفة وخالية من الزيوت والشحوم. المقابض وأسطح المسك الزلقة لا تتبع التشغيل والتحكم الآمن في العدة في المواقف غير المتوقعة.
- حسن معاملة واستخدام العدد المزودة بمرمك اشحن المراكم فقط في أجهزة الشحن التي يُمنع باستخدامها من طرف المنتج. قد يتسبب جهاز الشحن المخصصة لنوع معين من المراكم في خطر الحريق إن تم استخدامه مع نوع آخر من المراكم.
- ◀ استخدم العدد الكهربائية فقط مع المراكم المصممة لهذا الغرض. قد يؤدي استخدام المراكم الأخرى إلى إصابات وإلى خطر نشوب المرائق.
- ◀ حافظ على إبعاد المرمك الذي لا يتم استعماله عن مشابك الورق وقطع النقود المعدنية والمفاتيح والمسامير واللوالب أو غيرها من الأغراض المعدنية الصغيرة التي قد تقوم بتوصيل الملامسين ببعضهما البعض. قد يؤدي تقصير الدارة الكهربائية بين ملامسي المرمك إلى الاحتراق أو إلى اندلاع النار.
- ◀ قد يتسرب السائل من المرمك في حالة سوء الاستعمال. تجنب ملامسته. اشطفه بالماء في حال ملامسته بشكل غير مقصود. إن وصل السائل إلى العينين، فراجع الطبيب إضافة إلى

نشوب الحرائق و/أو الإصابة بجروح خطيرة.

يرجى الرجوع إلى الصور الموجودة في الجزء الأول من دليل التشغيل.

الاستعمال المخصص

لقد خصصت العدة الكهربائية لربط وفك اللوالب وأيضاً لشدّ وحلّ الصواميل في نطاق القياس المذكور لكل منها.

يمكن نقل البيانات والإعدادات الخاصة بالعدة الكهربائية عندما يكون الموديل *Bluetooth* Low Energy Module *GCY 42* مستخدماً وذلك عن طريق تقنية *Bluetooth** اللاسلكية، حيث يتم النقل بين العدة الكهربائية والجهاز الجوال.

الأجزاء المصورة

يشير ترقيم الأجزاء المصورة إلى رسوم العدة الكهربائية الموجودة في صفحة الرسوم التخطيطية.

- (1) حاضن العدة
- (2) مفتاح تمويل اتجاه الدوران
- (3) غطاء الموديل *Bluetooth*® Low Energy Module *GCY 42* Module
- (4) مشبك السلم
- (5) المرمك^(a)
- (6) زر فك إقفال المرمك^(a)
- (7) واجهة المستخدم
- (8) مفتاح التشغيل والإطفاء
- (9) مقبض (موضع مسك معزول)
- (10) عدة الشغل (على سبيل المثال مفتاح ربط صندوقي)^(a)

واجهة المستخدم

- (11) مبين حالة العدة الكهربائية
 - (12) مبين الوضع
 - (13) زر ضوء العمل (GDS 18V-1050 H, GDS 18V-1000)
 - (14) زر الوضع (GDS 18V-1050 HC, GDS 18V-1000 C)
 - (15) ضوء العمل
 - (16) زر الاختيار المسبق لعدد اللفات
 - (17) مبين درجة الاختيار المسبق لعدد اللفات
- (a) لا يتضمن إطار التوريد الاعتيادي التوابع المصورة أو المشروحة. تجد التوابع الكاملة في برنامجنا للتوابع.

◀ لا تفتح المرمك. يتشكل خطر تقصير الدائرة الكهربائية.

◀ يمكن أن يتعرض المرمك لأضرار من خلال الأشياء المعدنية مثل المسامير والمفكات أو من خلال تأثير القوى الخارجية. وقد يؤدي هذا إلى تقصير الدائرة الكهربائية الداخلية واحترق المرمك أو خروج الأدخنة منه أو انفجاره وتعرضه لسخونة مفرطة.

◀ اقتصر على استخدام المرمك في منتجات الجهة الصانعة. يتم حماية المرمك من فرط التحميل الخطير بهذه الطريقة فقط دون غيرها.

احرص على حماية المرمك من الحرارة، بما ذلك التعرض لأشعة الشمس باستمرار ومن النار والاتساف والماء والرطوبة. حيث ينشأ خطر الانفجار وخطر حدوث دائرة قصر.



◀ قد تسخن عدة الشغل أثناء العمل! لذلك يكون هناك خطر الإصابة بحروق عند تغيير عدة الشغل. استخدم قفازاً واقياً لإخراج عدة الشغل.

◀ احترس! عند استخدام العدة الكهربائية المزودة بتقنية *Bluetooth** قد يتسبب هذا في حدوث تشويش على الأجهزة والأنظمة والطائرات والأجهزة الطبية الأخرى (على سبيل المثال منظم ضربات القلب، السماعات الطبية). كما لا يمكن أيضاً استبعاد حدوث أضرار للأشخاص أو الحيوانات المتواجدين في النطاق القريب. لا تستخدم العدة الكهربائية المزودة بتقنية *Bluetooth** بالقرب من الأجهزة الطبية ومحطات التزود بالوقود ومصانع الكيماويات والمناطق التي يتهدها خطر الانفجار. لا تستخدم العدة الكهربائية المزودة بتقنية *Bluetooth** في الطائرات. تجنب التشغيل لمدد طويلة على مسافة قريبة من الجسم.

اسم ماركة *Bluetooth*® وشعاراتها هي علامات تجارية مسجلة، وهي ملك لشركة *Bluetooth SIG Inc.* أي استخدام الاسم الماركة/شعارها من قبل شركة *Robert Bosch Power Tools GmbH* يتم من خلال ترخيص.

وصف المنتج والأداء

اقرأ جميع إرشادات الأمان والتعليمات. ارتكاب الأخطاء عند تطبيق إرشادات الأمان والتعليمات، قد يؤدي إلى حدوث صدمات الكهربائية أو إلى



البيانات الفنية

GDS 18V-1050 HC	GDS 18V-1000 C	GDS 18V-1050 H	GDS 18V-1000	مفك لوالب دقاق عامل بمرمك
3 601 JJ8 2..	3 601 JJ8 0..	3 601 JJ8 5..	3 601 JJ8 3..	رقم الصنف
18	18	18	18	الجهد الاسمي
				عدد اللفات اللاحملي ^(A)

GDS 18V-1050 HC	GDS 18V-1000 C	GDS 18V-1050 H	GDS 18V-1000	مفك لولاب دقاق عامل بمركم	
0-800	0-800	0-800	0-800	دقيقة ₁	- وضع الضبط 1
0-1300	0-1300	0-1200	0-1200	دقيقة ₁	- وضع الضبط 2
0-1750	0-1750	0-1750	0-1750	دقيقة ₁	- وضع الضبط 3
عدد الطرقات ^(A)					
0-1600	0-1600	0-1600	0-1600	دقيقة ₁	- وضع الضبط 1
0-2300	0-2300	0-2400	0-2400	دقيقة ₁	- وضع الضبط 2
0-2600	0-2600	0-2600	0-2600	دقيقة ₁	- وضع الضبط 3
عزم الدوران ^(A)					
0-350	0-350	0-350	0-350	نيوتن متر	- وضع الضبط 1
0-650	0-650	0-750	0-700	نيوتن متر	- وضع الضبط 2
0-1050	0-1000	0-1050	0-1000	نيوتن متر	- وضع الضبط 3
1050	1000	1050	1000	نيوتن متر	عزم الربط الأقصى ^(A)
1700	1600	1700	1600	نيوتن متر	أقصى عزم فك ^(A)
M14-M24	M14-M24	M14-M24	M14-M24	مم	لولاب آلات بقطر
■ 3,3-4,4 بوصة	■ 3,3-4,4 بوصة	■ 3,3-4,4 بوصة	■ 3,3-4,4 بوصة	كجم	حاضن العدة
0 ... +35	0 ... +35	0 ... +35	0 ... +35	م°	الوزن حسب EPTA-Procedure ^(B) 01:2014
-20 ... +50	-20 ... +50	-20 ... +50	-20 ... +50	م°	درجة الحرارة المحيطة الموصى بها عند الشحن
GBA 18V... ProCORE18V...	GBA 18V... ProCORE18V...	GBA 18V... ProCORE18V...	GBA 18V... ProCORE18V...		درجة الحرارة المحيطة المسموح بها عند التشغيل وعند التخزين
...ProCORE18V 5,5 ≤ أمبير ساعة	...ProCORE18V 5,5 ≤ أمبير ساعة	...ProCORE18V 5,5 ≤ أمبير ساعة	...ProCORE18V 5,5 ≤ أمبير ساعة		المراكم المتوافقة
GAL 18... GAX 18... GAL 36...	GAL 18... GAX 18... GAL 36...	GAL 18... GAX 18... GAL 36...	GAL 18... GAX 18... GAL 36...		المراكم الموصى بها للقدرة الكاملة
نقل البيانات					
® 4.1Bluetooth (Low Energy)	® 4.1Bluetooth (Low Energy)	-	-		^(C) Bluetooth
8	8	-	-	ثانية	مسافة الإشارة

مفك لولب دقاق عامل بمركم			
GDS 18V-1050 HC	GDS 18V-1000 C	GDS 18V-1050 H	GDS 18V-1000
30	30	-	-
			متر
أقصى مدى للإشارة ^(D)			

(A) مقاسة عند درجة حرارة 20-25 °م مع مركم ProCORE18V 8.0Ah

(B) مقاسة مع GBA 18V 1.5Ah و GBA 18V 12Ah

(C) يجب أن يكون الجهاز الجوال متوافق مع الأجهزة منخفضة الطاقة Bluetooth (الإصدار 4.1) ويدعم وضع الوصول العام (GAP).

(D) قد يختلف مدى الإرسال بدرجة كبيرة تبعًا للظروف الخارجية، بما في ذلك جهاز الاستقبال المستخدم. داخل الأماكن المغلقة ومن خلال الحواجز المعدنية (على سبيل المثال الجدران والأرفف والمقائب وما شابه) قد ينخفض مدى إرسال Bluetooth* بشكل كبير.

التركيب

◀ انزع المركم عن العدة الكهربائية قبل إجراء أي أعمال بالعدة الكهربائية (مثلًا: الصيانة، استبدال العدد وإلخ..) وأيضًا عند نقلها أو تخزينها. هناك خطر إصابة بجروح عند الضغط على مفتاح التشغيل والإطفاء بشكل غير مقصود.

شحن المركم

◀ اقتصر على استخدام أجهزة الشحن المذكورة في المواصفات الفنية. أجهزة الشحن هذه دون غيرها هي المتوائمة مع مركم أيونات الليثيوم المستخدم في عدتك الكهربائية.

ملحوظة: يتم تسليم المركم وهو بحالة شمن جزئي. لضمان قدرة أداء المركم الكاملة، يتوجب شحن المركم في تجهيزة الشحن بشكل كامل قبل الاستعمال لأول مرة.

يمكن أن يتم شحن مركم أيونات الليثيوم في أي وقت، دون أن يقلل ذلك من فترة صلاحيته. لا يتسبب قطع عملية الشحن في الإضرار بالمركم.

لقد تم وقاية مركم أيونات الليثيوم من التفريغ الشديد بواسطة واقية الخلايا الإلكترونية، "Electronic Cell Protection (ECP)". يتم إطفاء العدة الكهربائية بواسطة قارئة وقائية عندما يفرغ المركم؛ لن تتحرك عدة الشغل عندئذ.

◀ لا تتابع الضغط على مفتاح التشغيل والإطفاء بعد انطفاء العدة الكهربائية بشكل الي. فقد يتلف المركم.

تراعى الملاحظات بصدد التخلص من العدد.

نزع المركم

يمتاز المركم (5) بدرجتتي إقفال اثنتين والتي عليها أن تمنع سقوط المركم للخارج في حال ضغط زر فك إقفال المركم بشكل غير مقصود (6). يتم تثبيت المركم بواسطة نابض مادام مركبًا في العدة الكهربائية.

لخلع المركم (5) اضغط على زر فك الإقفال (6) واجذب المركم من العدة الكهربائية من الجانب. لا تستخدم القوة أثناء ذلك.

مبين حالة شحن المركم

تشير مصابيح الداويد الخضراء الخاصة بمبين حالة شحن المركم لحالة شحن المركم. لأسباب تتعلق بالسلامة فإنه لا يمكن الاستعلام عن حالة الشحن إلا والعدة الكهربائية متوقفة.

اضغط على زر مبين حالة الشحن (A) أو (B) لعرض حالة الشحن. يمكن هذا أيضًا والمركم مخرج.

إذا لم يضيء أي مصباح داويد بعد الضغط على زر مبين حالة الشحن، فهذا يعني أن المركم تالف ويجب تغييره.

نوع المركم GBA 18V...



السعة	مصابيح الداويد
60-100 %	ضوء مستمر 3 × أخضر
30-60 %	ضوء مستمر 2 × أخضر
5-30 %	ضوء مستمر 1 × أخضر
0-5 %	الإضاءة الوماضة 1 × أخضر

نوع المركم ProCORE18V...



السعة	مصابيح الداويد
80-100 %	ضوء مستمر 5 × أخضر
60-80 %	ضوء مستمر 4 × أخضر
40-60 %	ضوء مستمر 3 × أخضر
20-40 %	ضوء مستمر 2 × أخضر
5-20 %	ضوء مستمر 1 × أخضر
0-5 %	الإضاءة الوماضة 1 × أخضر

استخدام الموديول Bluetooth*
Low Energy Module

GCY 42

(ملحق تكميلي)

للمعلومات حول الموديول

Low Energy Module Bluetooth*

GCY 42

اقرأ دليل الاستعمال المعني.

استبدال العدد (انظر الصور A-B)

◀ انزع المركم عن العدة الكهربائية قبل إجراء أي أعمال بالعدة الكهربائية (مثلًا: الصيانة، استبدال العدد وإلخ..) وأيضًا عند نقلها أو تخزينها. هناك خطر إصابة بجروح عند الضغط على مفتاح التشغيل والإطفاء بشكل غير مقصود.

ضبط اتجاه الدوران (انظر الصورة E)

يمكنك أن تغير اتجاه دوران العدة الكهربائية (2) بواسطة مفتاح تغيير اتجاه الدوران. إلا أنه لا يمكن تغييره عندما يكون مفتاح التشغيل والإطفاء (8) مضغوطاً.

دوران إلى اليمين: لربط اللوالب وشدّ الصواميل اضغط مفتاح تحويل اتجاه الدوران (2) إلى اليسار حتى المصدر.

دوران إلى اليسار: لحل أو فك اللوالب والصواميل اضغط مفتاح تغيير اتجاه الدوران (2) إلى اليمين حتى المصدر.

ضبط عدد اللفات/عدد الطرقات

يمكنك أن تتحكم بعدد اللفات/عدد الطرقات بالعدة الكهربائية قيد التشغيل دون تدريج، حسب مدى الضغط على مفتاح التشغيل والإطفاء (8).

يؤدي الضغط الخفيف على مفتاح التشغيل والإطفاء (8) إلى عدد لفات/طرقات منخفض. ويرتفع عدد اللفات/الطرقات بزيادة الضغط.

التشغيل والإطفاء

لغرض تشغيل العدة الكهربائية اضغط على مفتاح التشغيل والإطفاء (8) وحافظ على إبقائه مضغوطاً.

يضيء مصباح العمل (15) عند الضغط على مفتاح التشغيل والإطفاء (8) بشكل جزئي أو كامل ويسمع بإضاءة مكان الشغل إن كانت ظروف الإضاءة غير ملائمة.

لغرض إطفاء العدة الكهربائية اترك مفتاح التشغيل والإطفاء (8).

واجهة المستخدم (انظر الصور E-D)

GDS 18V-1050 HC / GDS 18V-1000 C

تتلخص وظيفة واجهة المستخدم (7) في الاختيار المسبق لعدد اللفات ولوضع التشغيل وبيان حالة العدة الكهربائية.

أحرص على ارتكاز عدة الشغل على حاضن

العدة بأمان أثناء تركيبها. إن لم يتم ربط عدة الشغل بحاضن العدة بأمان، فقد تنحل عنه أثناء عملية ربط اللولب.

ادفع عدة الشغل (10) على المحور الرباعي المواف بحاضن العدة (1).

التشغيل**طريقة العمل**

يتّجه تحريك حاضن العدة (1) مع العدة من خلال محرك كهربائي عبر تروس نقل الحركة وآلية الطرق.

يقسم مجرى العمل إلى مرحلتين:

ربط اللوالب و إحكام الشدّ (آلية الطرق قيد العمل).

تبدأ آلية الطرق بالعمل فور إحكام انغراز اللولب مما يؤدي إلى تحميل المحرك. وبذلك تمول آلية الطرق قدرة المحرك إلى طرقات دورانية منتظمة. يتّجه هذا الإجراء بشكل معاكس عند حلّ اللوالب أو الصواميل.

بدء التشغيل**أحرص على تخزين العدة الكهربائية على جانبها**

فقط ولا توقفها على المرمك. حسب المرمك

وعدة الشغل المستخدمة قد تتعرض العدة الكهربائية للسقوط.

تركيب المرمك

إرشاد: استخدام المراكم غير المناسبة لعدتك الكهربائية يمكن أن يؤدي إلى حدوث اختلالات وظيفية أو إلى إلحاق الضرر بالعدة الكهربائية. أدخل المرمك المشحون (5) إلى قاعدة العدة الكهربائية إلى أن يتم تأمين قفل المرمك.

مبيّنات الحالة

مبيّن حالة العدة الكهربائية (11)	المعنى/السبب	الحل
أخضر	الحالة على ما يرام	-
أصفر	تم الوصول إلى مستوى حرج لدرجة الحرارة أو شحنة المرمك على وشك النفاد	قم بتشغيل العدة الكهربائية على وضع دوران اللاممل، واركها حتى تبرد أو قم بتبديل أو شحن المرمك
يضيء باللون الأحمر	العدة الكهربائية ساخنة للغاية أو المرمك فارغ الشحنة	أترك العدة الكهربائية تبرد و قم بتغيير أو شحن المرمك
وميض باللون الأزرق	العدة الكهربائية متصلة بجهاز جوال أو يتم نقل الإعدادات	-

ضبط عدد اللفات مسبقاً

يرتبط عدد اللفات الضروري بقطعة الشغل وظروف العمل ويمكن تقديره من خلال التجربة العملية. بيانات الجدول التالي هي قيم يوصى بالالتزام بها.

يمكن باستخدام زر الاختيار المسبق لعدد اللفات (16) اختيار عدد اللفات المطلوب بشكل مسبق على 3 درجات. كرر الضغط على الزر (16) إلى أن يتم الإشارة إلى وضع الضبط المرغوب في مبيّن عدد الدوران (17). يتم تخزين وضع الضبط المختار.

GDS 18V-1050 HC / GDS 18V-1000 C

يمكنك الاختيار المسبق لعدد اللفات عن طريق تطبيق Bosch Toolbox.

يتعلق عزم الدوران بمدّة الطرق. ينتج عزم الدوران الأقصى المحقق عن مجموع عزوم الدوران المفردة التي تمّ تحقيقها كلها من خلال الطرقات. يتّجه التوصل إلى عزم الدوران الأقصى بعد مدّة طرق قدرها من 6-10 ثوانٍ. لا يرتفع عزم الربط بعد هذه المدّة إلا بمقدار ضئيل فقط.

ينبغي التحري عن مدّة الطرق لكل عزم ربط مطلوب. ينبغي دائماً تفحص عزم الربط الفعلي المحقق بواسطة مفتاح عزم الدوران.

ربط اللوالب ذات المركز الصلب أو النابضي أو اللين

في حالة قياس عزوم الدوران المتحققة أثناء طرق متعاقب كتحربة وتسجيلها في مخطط بياني سنحصل على منحنى يبين مسار العزم. يشير ارتفاع المنحنى البياني أقصى عزم دوران يمكن التوصل إليه، ويشير الميل إلى الفترة المطلوبة للوصول إليه.

يتعلق الرسم البياني لعزم الدوران بالعوامل التالية:

- متانة اللوالب/الصواميل
- نوع القاعدة (قرص، صفيحة نابضية، مانع تسريب)
- متانة المادة المرغوب ربطها باللوب
- حالة تزليق مكان ربط اللولب

واعتماداً على ذلك تنتج حالات الاستعمال التالية:

- **المركز الصلب** يتمحق عند ربط المعادن بالمعادن مع استخدام الفلك. يتّجه التوصل إلى عزم الدوران الأقصى (ميل المنحنى البياني حاد) بعد مدّة طرق قصيرة نسبياً. مدّة الطرق الطويلة غير الضرورية تضر بالعدة.

- **المركز النابضي** يتمحق عند ربط المعادن بالمعادن ولكن مع استخدام الملقات النابضية، الصفائح النابضية، المسامير المبادعة أو اللوالب والصواميل ذات المركز المخروطي وأيضاً عند استخدام وصلات التمديد.

- **المركز اللين** يتمحق عند ربط المعادن بالخشب مثلاً أو عند استخدام الفلك الرصاصية أو الليفية كقاعدة أساسية.

يقبل عزم دوران الزنق الأقصى عندما يكون المركز مرناً أو ليناً، مما يكون عليه في المركز القاسي. كما يتطلب ذلك مدّة طرق أطول بوضوح.

وضع الضبط الأساسي لعدد اللفات مع المستوى

1	2	3
[دقيق] $1^{\circ}5'$	[دقيق] $1^{\circ}5'$	[دقيق] $1^{\circ}5'$

عدد مستويات عدد اللفات

3 0-1100 0-2300 0-3400

يمكنك عن طريق زر الاختيار المسبق لعدد اللفات (16) الاختيار المسبق لعدد اللفات اللازم أثناء التشغيل أيضاً.

تشغيل ضوء العمل

GDS 18V-1050 H / GDS 18V-1000

لتشغيل أو إطفاء ضوء العمل (15) اضغط على زر ضوء العمل (13).

◀ لا توجه نظرك مباشرة إلى ضوء العمل، فقد يبهرك بمرح.

اختيار وضع العمل

GDS 18V-1050 HC / GDS 18V-1000 C

العدة الكهربائية بها وضعي عمل معرفين مسبقاً A و B (12). يمكن بشكل إضافي عن طريق تطبيق Bosch Toolbox تمت A و B (12) برمجة أوضاع عمل لتطبيقات مختلفة ومواءمة الأوضاع الموجودة. للتنقل بين وضعي العمل A و B (12) اضغط على الزر (14).

إرشادات العمل

◀ ضع العدة الكهربائية على اللولب/الصامولة فقط عندما تكون مطفاة. إن عدد الشغل الدوّارة قد تنزلق.

◀ العدة الكهربائية مزودة بموديول Bluetooth* GCY 42 Low Energy Module (توايغ به واجهة بنية لاسلكية. تراعى قيود التشغيل المحلية، على سبيل المثال في الطائرات أو المستشفيات).

قيم مرجعية لعزوم الربط القصوى عند ربط اللوالب

القيم بالنيوتن متر، تمّ حسابها من خلال معدل عينات الاجهاد. استغلال نهاية حد المرونة 90% (عندما يكون معامل الاحتكاك الإجمالي = 0,12). للمتابعة ينبغي قياس عزم الربط دائماً بواسطة مفتاح قياس العزم.

فئات المتانة حسب المواصفة DIN 267	اللوالب القياسية										
	3.6	4.6	5.6	4.8	6.6	5.8	6.8	6.9	8.8	10.9	12.9
M10	13	17.5	22	23	26	29	35	39	47	65	78
M12	22.6	30	37.6	40	45	50	60	67	80	113	135
M14	36	48	60	65	72	79	95	107	130	180	215
M16	55	73	92	98	110	122	147	165	196	275	330
M18	75	101	126	135	151	168	202	227	270	380	450
M20	107	143	178	190	214	238	286	320	385	540	635
M22	145	190	240	255	290	320	385	430	510	715	855
M24	185	245	310	325	370	410	490	455	650	910	1100

استبدال العدد وإلخ..) وأيضاً عند نقلها أو تخزينها. هناك خطر إصابة بمرجع عند الضغط على مفتاح التشغيل والإطفاء بشكل غير مقصود.

◀ **للعمل بشكل جيد وآمن حافظ دائماً على نظافة العدة الكهربائية وفتحات التهوية.**

خدمة العملاء واستشارات الاستخدام

يجيب مركز خدمة العملاء على الأسئلة المتعلقة بإصلاح المنتج وصيانته، بالإضافة لقطع الغيار. تجد الرسوم التفصيلية والمعلومات الخاصة بقطع الغيار في الموقع: www.bosch-pt.com

يسر فريق Bosch لاستشارات الاستخدام مساعدتك إذا كان لديك أي استفسارات بخصوص منتجاتنا وملحقاتها.

يلزم ذكر رقم الصنف ذو الخانات العشر وفقاً للوحة صنع المنتج عند إرسال أية استفسارات أو طلبات قطع غيار.

المغرب

Robert Bosch Morocco SARL

53, شارع الملازم محمد محروود

20300 الدار البيضاء

الهاتف: 212 5 29 31 43 27

البريد الإلكتروني: sav.outillage@ma.bosch.com

تجد المزيد من عناوين الخدمة تحت:

www.bosch-pt.com/serviceaddresses

النقل

تضع مراكم أيونات الليثيوم المركبة لأحكام قانون المواد الخطيرة. يسمح للمستخدم أن يقوم بنقل المراكم على الطرقات دون التقيد بأية شروط إضافية.

عندما يتم إرسالها عن طريق طرف آخر (مثلاً: الشحن الجوي أو شركة شحن)، يتوجب التقيد بشروط خاصة بصدد التغليف ووضع العلامات. ينبغي استشارة خبير متخصص بنقل المواد الخطيرة عندما يرغب بتحضير المرمك المراد شحنه في هذه الحالة.

لا تقوم بشحن المراكم إلا إذا كان هيكلها الخارجي سليماً. قم بتغطية الملامسات المكشوفة من بلاصقات، وطم بترغيف المرمك بحيث لا يتحرك في الطرد. يرجى أيضاً مراعاة التشريعات المحلية المتعلقة إن وجدت.

التخلص من العدة الكهربائية

يجب التخلص من العدة الكهربائية والمركم والتوابع والتغليف بطريقة صديقة للبيئة عن طريق النفايات القابلة لإعادة التصنيع.

لا تلق العدد الكهربائية والمراكم/البطاريات ضمن النفايات المنزلية!



المراكم/البطاريات:

مراكم أيونات الليثيوم:

يرجى مراعاة الإرشادات الواردة في جزء النقل (انظر „النقل“، الصفحة 94).

نصائح

قبل ربط اللوالب الكبيرة الطويلة في القامات القاسية، ينصح بإجراء ثقب تمهيدي بقطر لُب اللولب وبمقدار 2/3 طول اللولب.

إرشاد: احرص على عدم دخول أية قطع معدنية صغيرة إلى داخل العدة الكهربائية.

بعد العمل لفترة طويلة بعدد لفات منخفض ينبغي إدارة العدة الكهربائية لمدة 3 دقائق بأقصى عدد لفات من أجل تبريدها.

إرشادات حول التعامل المثالي مع المرمك

قم بحماية المرمك من الرطوبة والماء. لا تغم بترغيف المرمك إلا في نطاق درجة حرارة يقع بين -20°م وحتى 50°م. لا تترك المرمك في السيارة في فصل الصيف مثلاً.

إذا انقضت فترة التشغيل بعد الشحن بدرجة كبيرة فهذا يعني أن المرمك قد استهلك وأنه يجب استبداله.

تراجع الملاحظات الخاصة بالتخلص من العدد.

مشبك السلم

يمكن باستخدام مشبك السلم (4) تعليق العدة الكهربائية على سلم مثلاً.

يجب أن يتم شد لولب مشبك السلم بعزم شد يبلغ 2,5-2,0 نيوتن متر تقريباً.



التحكم من خلال التطبيق

GDS 18V-1050 HC / GDS 18V-1000 C

قد تكون العدة الكهربائية مزودة بمودول Bluetooth®. يتيح نقل البيانات باستخدام التقنية اللاسلكية إلى أجهزة جوال معينة مزودة باتصال Bluetooth® (مثل الهاتف الذكي أو التابلت).

للتحكم في العدة الكهربائية عن طريق Bluetooth® ستحتاج إلى تطبيق "Bosch Toolbox" Bosch. قم بتنزيل التطبيق عن طريق متجر تطبيقات مناسب (Apple App Store أو Google Play Store).

ثم اختر داخل التطبيق البند الفرعي «أدواتي». تظهر في وحدة عرض جهازك الجوال كافة الخطوات الأخرى الخاصة بربط العدة الكهربائية مع جهازك الجوال. بعد إنشاء الاتصال بالجهاز الجوال تتاح الوظائف التالية:

- التسجيل والمواءمة مع المتطلبات الشخصية
- اختبار الحالة، إصدار بلاغات التحذير
- المعلومات العامة والإعدادات
- الإدارة
- وضع ضبط مستويات عدد اللفات
- وضع ضبط طريقة العمل

الصيانة والخدمة

الصيانة والتنظيف

◀ **قم بتنظيف فتحات التهوية بالعدة الكهربائية بشكل دوري.** إن منفاخ المرمك يسمح الغبار إلى داخل الهيكل، وتراكم الأعباء المعدنية الشديدة قد يشكل المخاطر الكهربائية.

◀ **انزع المرمك عن العدة الكهربائية قبل إجراء أي أعمال بالعدة الكهربائية (مثلاً: الصيانة،**

فارسی

دستورات ایمنی

نکات ایمنی عمومی برای ابزارهای برقی

هشدار

کلیه هشدارها،

دستورالعملها، تصاویر و

مشخصات ارائه شده به همراه ابزار برقی را

مطالعه کنید. اشتباهات ناشی از عدم رعایت این

دستورات ایمنی ممکن است باعث برق گرفتگی،

سوختگی و یا سایر جراحات های شدید شود.

کلیه هشدارهای ایمنی و راهنماییها را برای

آینده خوب نگهداری کنید.

عبارت «ابزار برقی» در هشدارها به ابزارهایی که به

پریز برق متصل میشوند (با سیم برق) و یا ابزارهای

برقی باتری دار (بدون سیم برق) اشاره دارد.

ایمنی محل کار

محیط کار را تمیز و روشن نگه دارید. محیطهای

در هم ریخته یا تاریک احتمال بروز حادثه را

افزایش میدهند.

ابزار برقی را در محیطهایی که خطر انفجار

وجود دارد و حاوی مایعات، گازها و بخارهای

مخترقه هستند، به کار نگیرید. ابزارهای برقی

چرقههایی ایجاد میکنند که میتوانند باعث آتش

گرفتن گرد و غبارهای موجود در هوا شوند.

هنگام کار با ابزار برقی، کودکان و سایر

افراد را از دستگاه دور نگه دارید. در

صورتیکه حواس شما پرت شود، ممکن است کنترل

دستگاه از دست شما خارج شود.

ایمنی الکتریکی

دوشاخه ابزار برقی باید با پریز برق تناسب

داشته باشد. هیچگونه تغییری در دوشاخه

ایجاد نکنید. مبدل دوشاخه نباید همراه با

ابزار برقی دارای اتصال زمین استفاده شود.

دوشاخههای اصل و تغییر داده نشده و پریزهای

مناسب، خطر برق گرفتگی را کاهش میدهند.

از تماس بدنی با قطعات متصل به سیم

اتصال زمین مانند لوله، شفاژ، اجاق برقی و

یخچال خودداری کنید. در صورت تماس بدنی با

سطوح و قطعات دارای اتصال به زمین و همچنین

تماس شما با زمین، خطر برق گرفتگی افزایش

می یابد.

ابزارهای برقی را در معرض باران و رطوبت

قرار ندهید. نفوذ آب به ابزار برقی، خطر شوک

الکتریکی را افزایش میدهد.

از سیم دستگاه برای مقاصد دیگر استفاده

نکنید. هرگز برای حمل ابزار برقی، کشیدن آن

یا خارج کردن دوشاخه از سیم دستگاه

استفاده نکنید. کابل دستگاه را از حرارت،

روغن، لیبهای تیز یا قطعات متحرک دور نگه

دارید. کابلهای آسیب دیده و یا گره خورده خطر

شوک الکتریکی را افزایش میدهند.

هنگام استفاده از ابزار برقی در محیطهای باز،

تنها از کابل رابطی استفاده کنید که برای

محیط باز نیز مناسب باشد. کابل های رابط

مناسب برای محیط باز، خطر برق گرفتگی را کم می کنند.

در صورت لزوم کار با ابزار برقی در محیط و

اماکن مرطوب، باید از یک کلید حفاظتی جریان

خطا و نشستی زمین (کلید قطع کننده اتصال با

زمین) استفاده کنید. استفاده از کلید حفاظتی

جریان خطا و نشستی زمین خطر برق گرفتگی را

کاهش می دهد.

رعایت ایمنی اشخاص

حواس خود را خوب جمع کنید، به کار خود

دقت کنید و با فکر و هوشیاری کامل با ابزار

برقی کار کنید. در صورت خستگی و یا در

صورتی که مواد مخدر، الکل و دارو استفاده

کردهاید، با ابزار برقی کار نکنید. یک لحظه بی

توجهی هنگام کار با ابزار برقی، میتواند جرات

های شدیدی به همراه داشته باشد.

از تجهیزات ایمنی شخصی استفاده کنید.

همواره از عینک ایمنی استفاده نمایید.

استفاده از تجهیزات ایمنی مانند ماسک ضد گرد و

غبار، کفشهای ایمنی ضد لغزش، کلاه ایمنی و

گوشی محافظ متناسب با نوع کار با ابزار برقی،

خطر مجروح شدن را کاهش میدهد.

مواظب باشید که ابزار برقی بطور ناخواسته

بکار نیفتد. قبل از وارد کردن دوشاخه

دستگاه در پریز برق، اتصال آن به باتری،

برداشتن آن و یا حمل دستگاه، باید دقت

کنید که ابزار برقی خاموش باشد. در صورتی

که هنگام حمل دستگاه انگشت شما روی دکمه

قطع و وصل باشد و یا دستگاه را در حالت روشن

به برق بزنید، ممکن است سوانع کاری پیش آید.

قبل از روشن کردن ابزار برقی، همه ابزارهای

تنظیم کننده و آپارها را از روی دستگاه

بردارید. ابزار و آپارهایی که روی بخش های

چرخنده دستگاه قرار دارند، میتوانند باعث ایجاد

جرات شوند.

وضعیت بدن شما باید در حالت عادی قرار

داشته باشد. برای کار جای مطمئنی برای

خود انتخاب کرده و تعادل خود را همواره

حفظ کنید. به این ترتیب میتوانید ابزار برقی را در

وضعتهای غیر منتظره بهتر تحت کنترل داشته

باشید.

لباس مناسب بپوشید. از پوشیدن لباسهای

گشاد و حمل زینت آلات خودداری کنید.

موها و لباس خود را از بخشهای در حال

چرخش دستگاه دور نگه دارید. لباسهای گشاد،

موی بلند و زینت آلات ممکن است در قسمتهای

در حال چرخش دستگاه گیر کنند.

در صورتی که تجهیزاتی برای اتصال وسائل

مکش گرد و غبار و یا وسیله جمع کننده گرد

و غبار ارائه شده است، باید مطمئن شوید که

این وسائل درست نصب و استفاده

می شوند. استفاده از وسائل مکش گرد و غبار

مصونیت شما را در برابر گرد و غبار زیادهر کمتر میکند.

آشنایی با ابزار به دلیل کار کردن زیاد با آن

نباید باعث سهل انگاری شما و نادیده گرفتن

اصول ایمنی شود. بی دقتی ممکن است باعث

بروز جراحاتی در عرض کسری از ثانیه شود.

شوند. ایجاد اتصالی بین دو قطب باتری (ترمینالهای باتری) میتواند باعث سوختگی و ایجاد حریق شود.

استفاده بی رویه از باتری میتواند باعث خروج مایعات از آن شود؛ از هر گونه تماس با این مایعات خودداری کنید. در صورت تماس اتفاقی با آن، دست خود و یا محل تماس را با آب بشوئید. در صورت آلوده شدن چشم با این مایع، باید به پزشک مراجعه کنید. مایع خارج شده از باتری میتواند باعث التهاب پوست و سوختگی شود.

هرگز از باتری یا ابزار آسیب دیده یا دست کاری شده استفاده نکنید. باتریهای آسیب دیده ممکن است کارکرد غیر منتظرهای داشته باشند و منجر به آتش سوزی، انفجار یا جراحت شوند.

باتری یا ابزار را در معرض آتش یا دمای زیاد قرار ندهید. قرار گرفتن در معرض آتش یا دمای بالاتر از 130 درجه سانتیگراد میتواند باعث انفجار شود.

همه راهنمایهای مربوط به شارژ را رعایت کنید و باتری یا ابزار را خارج از محدوده دمای تعریف شده در دستورات شارژ نکنید. شارژ کردن نادرست یا در دمای خارج از محدوده تعریف شده ممکن است به باتری صدمه بزند و خطر آتش سوزی را افزایش دهد.

سرویس

برای تعمیر ابزار برقی فقط به متخصصین حرفهای رجوع کنید و از قطعات یدکی اصل استفاده نمایید. این باعث خواهد شد که ایمنی دستگاه شما تضمین گردد.

هرگز باتریهای آسیب دیده را تعمیر نکنید. باتری باید تنها توسط متخصصین مجاز شرکت تعمیر شوند.

راهنمایهای ایمنی برای پیچگوشتیها

در صورت انجام کارهایی که امکان برخورد با کابلهای حامل جریان برق مخفی وجود دارد، ابزار برقی را از دسته عایق بگریزد. در صورت برخورد با یک کابل حامل "جریان برق" ممکن است قسمتهای فلزی ابزار برقی حامل "جریان برق" شوند و باعث بروز شوک الکتریکی یا برق گرفتگی گردند.

برای پیدا کردن لوله ها و سیم های پنهان موجود در ساختمان و محدوده کار، از یک دستگاه ردیاب مخصوص برای یافتن لوله ها و سیمهای تأسیسات استفاده کنید و یا با شرکت های کارهای تأسیسات ساختمان و خدمات مربوطه تماس بگیرید. تماس با کابل و سیمهای برق ممکن است باعث آتشسوزی و یا برق گرفتگی شود. ایراد و آسیب دیدگی لوله گاز میتواند باعث انفجار شود. سوراخ شدن لوله آب باعث ایجاد خسارت میشود.

ابزار برقی را محکم بگیرید. هنگام سفت و باز کردن پیچها ممکن است گشتاورهای بازگشتی بلایی به طور موقت ایجاد شوند.

استفاده صحیح از ابزار برقی و مراقبت از آن

از وارد کردن فشار زیاد روی دستگاه خودداری کنید. برای هر کاری، از ابزار برقی مناسب با آن استفاده کنید. بکار گرفتن ابزار برقی مناسب باعث میشود که بتوانید از توان دستگاه بهتر و با اطمینان بیشتر استفاده کنید.

در صورت ایراد در کلید قطع و وصل ابزار برقی، از دستگاه استفاده نکنید. ابزار برقی که نمی توان آنها را قطع و وصل کرد، خطرناک بوده و باید تعمیر شوند.

قبل از تنظیم ابزار برقی، تعویض متعلقات و یا کنار گذاشتن آن، دوشاخه را از برق بکشید و یا باتری آنرا خارج کنید. رعایت این اقدامات پیشگیری ایمنی از راه افتادن ناخواسته ابزار برقی جلوگیری می کند.

ابزار برقی را در صورت عدم استفاده، از دسترس کودکان دور نگه دارید و اجازه ندهید که افراد ناوارد و یا اشخاصی که این دفترچه راهنما را نخواندهاند، با این دستگاه کار کنند. قرار گرفتن ابزار برقی در دست افراد ناوارد و بی تجربه خطرناک است.

از ابزار برقی و متعلقات خوب مراقبت کنید. مواظب باشید که قسمت های متحرک دستگاه خوب کار کرده و گیر نکنند. همچنین دقت کنید که قطعات ابزار برقی شکسته و یا آسیب دیده نباشند. قطعات آسیب دیده را قبل از شروع به کار تعمیر کنید. علت بسیاری از سوانح کاری، عدم مراقبت کامل از ابزارهای برقی می باشد.

ابزار برش را تیز و تمیز نگه دارید. ابزار برشی که خوب مراقبت شده و از لبه های تیز برخوردار است، کمتر در قطعه کار گیر کرده و بهتر قابل هدایت است.

ابزار برقی، متعلقات، متهای دستگاه و غیره را مطابق دستورات این جزوه راهنما به کار گیرید و به شرایط کاری و نوع کار نیز توجه داشته باشید. استفاده از ابزار برقی برای عملیاتی به جز مقاصد در نظر گرفته شده، میتواند به بروز شرایط خطرناک منجر شود.

دستها و سطوح عایق را همواره خشک، تمیز و عاری از روغن و گریس نگه دارید. دسته های لغزنده مانع ایمنی و کنترل در کار در شرایط غیر منتظره هستند.

مراقبت و طرز استفاده از ابزارهای شارژی

باتریها را منحصراً توسط شارژرهایی که توسط سازنده توصیه شدهاند، شارژ کنید. در صورتی که برای شارژ باتری، آنرا در شارژی قرار دهید که برای آن باتری ساخته نشده است، خطر آتش سوزی وجود دارد.

در ابزارهای برقی فقط از باتریهایی استفاده کنید که برای آن نوع ابزار برقی در نظر گرفته شدهاند. استفاده از باتریهای متفرقه میتواند منجر به بروز جراحت و حریق گردد.

در صورت عدم استفاده از باتری باید آنرا از گیره های فلزی، سکه، کلید، میخ، پیچ و دیگر وسائل کوچک فلزی دور نگه دارید، زیرا این وسائل ممکن است باعث ایجاد اتصالی

توضیحات محصول و کارکرد

همه دستورات ایمنی و راهنماییها را بخوانید. اشتباهات ناشی از عدم رعایت این دستورات ایمنی ممکن است باعث برقگرفتگی، سوختگی و یا سایر جراحات های شدید شود.



به تصویرهای واقع در بخشهای اول دفترچه راهنما توجه کنید.

موارد استفاده از دستگاه

این ابزار برقی برای انجام عملیات پیچکاری (بستن و باز کردن) پیچ ها و همچنین برای بستن و باز کردن مهره ها در خصوص دامنه اندازه های قید شده مناسب است.

دادهها و تنظیمات ابزار برقی میتوانند در صورت نصب *Bluetooth*® GCY 42 Low Energy Module بوسیله فناوری امواج *Bluetooth*® بین ابزار برقی و یک دستگاه نهایی همراه منتقل شوند.

تصاویر اجزاء دستگاه

شماره های اجزاء دستگاه که در تصویر مشاهده میشود، مربوط به شرح ابزار برقی می باشد که تصویر آن در این دفترچه آمده است.

- (1) ابزارگیر
- (2) کلید تغییر جهت چرخش
- (3) قاب ماژول *Bluetooth*® Low Energy GCY 42
- (4) گیره نردبان
- (5) باتری قابل شارژ^(a)
- (6) دکمه آزادسازی باتری قابل شارژ^(a)
- (7) User Interface (رابط کاربری)
- (8) کلید روشن/خاموش
- (9) دسته (دارای روکش عایق)
- (10) ابزار مورد استفاده (برای مثال آچاربکس)^(a)

رابط کاربری

- (11) نشانگر وضعیت ابزار برقی
- (12) نشانگر حالت
- (13) دکمه چراغ کار (GDS 18V-1050 H, GDS 18V-1000)
- (14) دکمه حالت (GDS 18V-1050 HC, GDS 18V-1000 C)
- (15) چراغ کار
- (16) دکمه انتخاب سرعت
- (17) نشانگر درجه انتخاب سرعت

(a) کلیه متعلقاتی که در تصویر و یا در متن آمده است، بطور معمول همراه دستگاه ارائه نمی شود. لطفا لیست کامل متعلقات را از فهرست برنامه متعلقات اقتباس نمایند.

❖ **قطعه کار را محکم کنید.** در صورتیکه قطعه کار به وسیله تجهیزات نگهدارنده و یا بوسیله گیره محکم شده باشد، قطعه کار مطمئن تر نگه داشته میشود، تا اینکه بوسیله دست نگهداشته شود.

❖ **قبل از کنار گذاشتن ابزار برقی صبر کنید تا دستگاه بطور کامل از کار و حرکت بایستد.** ابزار ممکن است به قطعه کار گیر کرده و کنترل ابزار برقی از دست شما خارج شود.

❖ **در صورتیکه باتری آسیب دیده باشد و یا از آن بطور بی رویه استفاده شود، ممکن است از باتری بخارهایی بلند شود. باتری ممکن است آتش بگیرد یا منفجر شود.** در این حالت هوای محیط را تازه کنید؛ اگر احساس ناراحتی کردید، به پزشک مراجعه نمایید. استنشاق این بخارها ممکن است به مجاری تنفسی شما آسیب برساند.

❖ **باتری را باز نکنید.** خطر اتصال کوتاه وجود دارد.

❖ **بوسیله ی اشیاء تیز مانند میخ یا پیچگوشتی یا تأثیر نیروی خارجی ممکن است باتری آسیب ببیند.** ممکن است اتصال داخلی رخ دهد و باتری آتش گیرد، دود کند، منفجر شود یا بیش از حد داغ گردد.

❖ **تنها از باتری برای محصولات تولیدی شرکت استفاده کنید.** فقط در اینصورت باتری در برابر خطر اعمال فشار بیش از حد محافظت میشود.

❖ **باتری را در برابر حرارت، از جمله در برابر تابش مداوم خورشید و همچنین در برابر آتش، آلودگی، آب و رطوبت محفوظ بدارید.** خطر اتصالی و انفجار وجود دارد.



❖ **ابزار مورد استفاده ممکن است هنگام کار داغ شوند! هنگام تعویض ابزار مورد استفاده خطر سوختگی وجود دارد.** جهت جدا کردن ابزار مورد استفاده، از دستکش ایمنی استفاده کنید.

❖ **احتیاط! هنگام استفاده از ابزار اندازه گیری با *Bluetooth*® ممکن است دستگاهها، سیستمها، هواپیماها و ابزارهای پزشکی (باتری قلب، سمعک) دچار اختلال شوند.** همچنین ممکن است افراد یا حیوانات کاملاً نزدیک به ابزار آسیب ببینند. ابزار برقی با *Bluetooth*® را در نزدیکی دستگاههای پزشکی، پمپ بنزین، سیستمهای شیمیایی و مناطق دارای خطر انفجار بکار نبرید. از ابزار برقی به همراه *Bluetooth*® در هواپیما استفاده نکنید. از کاربرد دستگاه به مدت طولانی در نزدیکی مستقیم بدن خودداری کنید.

علامت نامی *Bluetooth*® همانند علامت های تصویری (لوگوها)، نشانهای ثبت شده و متعلق به *Bluetooth SIG, Inc* می باشند. هر گونه استفاده از این علامت نامی/نشانها، توسط شرکت *Robert Bosch Power Tools GmbH* تحت لیسانس انجام میشوند.

مشخصات فنی

GDS 18V-1050 HC	GDS 18V-1000 C	GDS 18V-1050 H	GDS 18V-1000	پیچ گوشتی ضربه ای شارژی	شماره فنی
3 601 JJ8 2..	3 601 JJ8 0..	3 601 JJ8 5..	3 601 JJ8 3..		ولتاژ نامی
18	18	18	18	V=	سرعت در حالت آزاد ^(A)
0-800	0-800	0-800	0-800	⁻¹ min	- تنظیم 1
0-1'300	0-1'300	0-1'200	0-1'200	⁻¹ min	- تنظیم 2
0-1'750	0-1'750	0-1'750	0-1'750	⁻¹ min	- تنظیم 3
					تعداد ضربه ^(A)
0-1'600	0-1'600	0-1'600	0-1'600	⁻¹ min	- تنظیم 1
0-2'300	0-2'300	0-2'400	0-2'400	⁻¹ min	- تنظیم 2
0-2'600	0-2'600	0-2'600	0-2'600	⁻¹ min	- تنظیم 3
					گشتاور ^(A)
0-350	0-350	0-350	0-350	Nm	- تنظیم 1
0-650	0-650	0-750	0-700	Nm	- تنظیم 2
0-1'050	0-1'000	0-1'050	0-1'000	Nm	- تنظیم 3
1'050	1'000	1'050	1'000	Nm	حداکثر گشتاور محکم کردن ^(A)
1'700	1'600	1'700	1'600	Nm	حداکثر گشتاور باز کردن ^(A)
M14-M24	M14-M24	M14-M24	M14-M24	mm	قطر پیچ های صنعتی
¾" ■	½" ■	¾" ■	½" ■		ابزارگیر
3,3-4,4	3,3-4,4	3,3-4,4	3,3-4,4	kg	وزن مطابق استاندارد EPTA-Procedure ^(B) 01:2014
0 ... +35	0 ... +35	0 ... +35	0 ... +35	°C	دمای توصیه شده محیط هنگام شارژ
-20 ... +50	-20 ... +50	-20 ... +50	-20 ... +50	°C	دمای مجاز محیط هنگام کار و هنگام انبار کردن
GBA 18V... ProCORE18V...	GBA 18V... ProCORE18V...	GBA 18V... ProCORE18V...	GBA 18V... ProCORE18V...		باتری های قابل شارژ سازگار
ProCORE18V... ≥ 5,5 Ah	ProCORE18V... ≥ 5,5 Ah	ProCORE18V... ≥ 5,5 Ah	ProCORE18V... ≥ 5,5 Ah		باتری های قابل شارژ توصیه شده برای توان کامل
GAL 18... GAX 18... GAL 36...	GAL 18... GAX 18... GAL 36...	GAL 18... GAX 18... GAL 36...	GAL 18... GAX 18... GAL 36...		شارژرهای توصیه شده
انتقال اطلاعات					
® 4.1Bluetooth (Low Energy)	® 4.1Bluetooth (Low Energy)	-	-		Bluetooth ^(C)
8	8	-	-	s	فاصله سیگنال
30	30	-	-	m	حداکثر دامنه سیگنال ^(D)

(A) اندازه گیری شده در دمای °C 20-25 با باتری قابل شارژ ProCORE18V 8.0Ah

(B) اندازه گیری شده با GBA 18V 12Ah و GBA 18V 1.5Ah

(C) دستگاههای همراه با بایستی با دستگاههای Bluetooth (Version 4.1 Low-Energy) (Generic Access Profile) را تحت پوشش قرار دهند.

(D) میدان دریافت ممکن است برحسب شرایط خارجی، به انضمام دستگاه دریافت کننده به شدت تغییر کند. در مکانهای بسته و توسط موانع فلزی (مانند دیوارها، قفسه ها، چمدان ها و غیره) ممکن است میدان دریافت Bluetooth[®] به طور واضح کمتر شود.

نوع باتری GBA 18V...



LED ها	ظرفیت
3 چراغ ممتد سبز	60-100 %
2 چراغ ممتد سبز	30-60 %
1 چراغ ممتد سبز	5-30 %
1 چراغ چشمک زن سبز	0-5 %

نوع باتری ProCORE18V...



LED ها	ظرفیت
5 چراغ ممتد سبز	80-100 %
4 چراغ ممتد سبز	60-80 %
3 چراغ ممتد سبز	40-60 %
2 چراغ ممتد سبز	20-40 %
1 چراغ ممتد سبز	5-20 %
1 چراغ چشمک زن سبز	0-5 %

نصب کردن Bluetooth® Low Energy Module GCY 42 (متعلقات)

جهت دریافت اطلاعات درباره
 * Low Energy Module, Bluetooth
 GCY 42
 دفترچه راهنمای مربوطه را بخوانید.

تعویض ابزار (رجوع کنید به تصاویر A-B)

قبل از انجام هر گونه کاری با ابزار برقی (از جمله سرویس، تعویض ابزار و غیره) و همچنین به هنگام حمل و نقل و یا در انبار نگهداری کردن، باتری را از داخل ابزار برقی خارج کنید. در صورت تماس اتفاقی با کلید قطع و وصل، خطر آسیب دیدگی وجود دارد.

هنگام قرار دادن ابزار دقت کنید که ابزار، مطمئن در ابزارگیر قرار گیرد. چنانچه ابزار درست در ابزارگیر قرار نگیرد، می تواند هنگام پیچکاری شل شود.

ابزار (10) را در چهار لبه ابزارگیر (1) برانید.

طرز کار با دستگاه

طرز کار

ابزارگیر (1) به همراه ابزار بوسیله یک موتور الکتریکی روی گیربکس و بخش ضربه زننده سوار است.

مراحل کاری به دو فاز تقسیم می شوند: **پیچکاری و سفت کردن** (بخش ضربه زننده فعال است).

نصب

قبل از انجام هر گونه کاری با ابزار برقی (از جمله سرویس، تعویض ابزار و غیره) و همچنین به هنگام حمل و نقل و یا در انبار نگهداری کردن، باتری را از داخل ابزار برقی خارج کنید. در صورت تماس اتفاقی با کلید قطع و وصل، خطر آسیب دیدگی وجود دارد.

نحوه شارژ کردن باتری

تنها شارژرهای ذکر شده در مشخصات فنی را بکار برید. تنها این دستگاه های شارژر با باتری های لیتیوم-یونی (Li-Ion) ابزار برقی شما منطبق میباشند.

نکته: باتری با شارژر نسبی ارسال می شود. برای دست یافتن به توان کامل باتری، قبل از بکار گیری آن برای اولین بار باید شارژر باتری بطور کامل در دستگاه شارژر تکمیل شود.

باتری های لیتیوم-یونی (Li-Ion) را میتوان همه وقت شارژ نمود، بدون اینکه از طول عمر آن کاسته شود. قطع کردن جریان شارژر آسیبی به باتری نمیرساند.

باتری های لیتیوم-یونی دارای سیستم حفاظت الکترونیک "Electronic Cell Protection (ECP)" بوده و در برابر خالی شدن حفاظت می شوند. اگر باتری خالی شود، ابزار برقی از طریق کلید حفاظتی بطور اتوماتیک خاموش میشود و دستگاه دیگر حرکت نمیکند.

پس از خاموش شدن اتوماتیک ابزار برقی، از فشار دادن مجدد کلید قطع و وصل خودداری کنید. این میتواند باعث آسیب دیدن باتری شود.

به نکات مربوط به نحوه از رده خارج کردن باتری توجه کنید.

نحوه برداشتن باتری

باتری (5) دارای دو مرحله قفل میباشد که این قفلها مانع بیرون افتادن باتری در اثر فشار ناخواسته بر روی دکمه آزاد کننده قفل (6) میشوند. تا زمانی که باتری در داخل ابزار برقی قرار داشته باشد، آن باتری توسط یک فنر در حالت مناسب نگهداری میشود.

برای برداشتن و خارج کردن باتری (5) دکمه آزادسازی باتری (6) را فشار دهید و باتری را از داخل ابزار برقی خارج کنید. **هنگام انجام این کار از اعمال فشار خودداری کنید.**

نشانهگر وضعیت شارژر باتری

چراغهای سبز LED نشانهگر وضعیت شارژر باتری، وضعیت شارژر باتری را نشان میدهند. به دلایل ایمنی، فراخوانی وضعیت شارژر باتری تنها در حالت توقف ابزار برقی ممکن است.

دکمه را جهت پدیدار شدن نشانهگر وضعیت شارژر * یا وضعیت شارژر فشار دهید. این کار هنگامی که باتری برداشته شده باشد نیز ممکن است.

چنانچه پس از فشردن دکمه نشانهگر وضعیت شارژر هیچ LED روشن نشود، باتری خراب است و باید تعویض گردد.

گردش به چپ: برای چرخاندن و بپچاندن و نیز سفت کردن مهرهها، کلید تغییر جهت چرخش (2) را تا انتها به راست فشار دهید.

نحوه تنظیم تعداد ضربه/سرعت

سرعت ابزار برقی را می توان با فشردن دلفواه کلید قطع و وصل (8) تنظیم کرد.

فشار کم روی کلید قطع و وصل (8) سرعت کاهش میابد. افزایش فشار باعث افزایش سرعت و تعداد ضربه ها میشود.

نحوه روشن و خاموش کردن

برای **راهاندازی** ابزار برقی، کلید قطع و وصل (8) را فشار داده و آنرا در حالت فشرده نگهدارید.

چراغ کار (15) هنگامی که کلید روشن/خاموش (8) نیمه فشرده یا در حالت فشردگی کامل باشد، روشن میشود و در شرایط نامناسب نور، امکان روشن کردن محیط کار را فراهم می کند.

برای **خاموش کردن** ابزار برقی، کلید قطع و وصل (8) را رها کنید.

User Interface (رجوع کنید به تصاویر E-D)

GDS 18V-1050 HC / GDS 18V-1000 C

User Interface (7) برای انتخاب سرعت و حالت کار و همچنین برای نشانگر وضعیت ابزار برقی، مورد استفاده قرار می گیرد.

مکانیزم ضربه هنگامی فعال میشود که اتصال پیچ محکم شده و بنا براین بر روی موتور فشار وارد میشود. مکانیزم ضربه در این حال، نیروی موتور را به ضربه های (چرخشی) یکنواخت تبدیل میکند. برای بازکردن پیچ ها و مهره ها این جریان بطور معکوس صورت میگیرد.

راه اندازی و نحوه کاربرد دستگاه

← ابزار برقی را همیشه از قسمت جانبی قرار دهید و آن را روی باتری قابل شارژ قرار

ندھید. ممکن است ابزار برقی بسته به ابزار و باتری قابل شارژ مورد استفاده، واژگون شود.

جاگذاری باتری

نکته: استفاده از از باتریهای نامتناسب با ابزار اندازهگیری ممکن است منجر به بروز خطا در عملکرد یا آسیب دیدگی ابزار اندازهگیری شود.

باتری شارژ شده (5) را در پایه ابزار برقی برانید تا از قفل شدن باتری اطمینان حاصل کنید.

نحوه تنظیم جهت چرخش (رجوع کنید به تصویرE)

توسط دکمه تعویض جهت چرخش (2) می توان جهت چرخش ابزار برقی را تغییر داد. هنگامی که کلید قطع و وصل (8) فشرده شده است، این امر ممکن نیست.

گردش به راست: برای چرخاندن و بپچاندن و نیز سفت کردن مهرهها، کلید تغییر جهت چرخش (2) را تا انتها به چپ فشار دهید.

نمایشگرهای وضعیت

راه حل	معنی/دلیل	نشانگر وضعیت ابزار برقی (11)
-	وضعیت OK	سبز
اجازه دهید ابزار برقی در حالت بدون بار کار کند و خنک شود یا باتری قابل شارژ را سریعاً تعویض یا شارژ کنید	دما به وضعیت هشدار دهنده رسیده یا باتری قابل شارژ تقریباً خالی است	زرد
اجازه دهید ابزار برقی خنک شود یا باتری قابل شارژ را تعویض یا شارژ کنید	ابزار برقی زیاد داغ شده یا باتری قابل شارژ خالی است	چراغ قرمز رنگ
-	ابزار برقی به دستگاه همراه نهایی متصل است یا تنظیمات در حال انتقال می باشند	چشمک زن آبی رنگ

تنظیم اولیه سرعت برحسب درجه		
3	2	1
[⁻⁴ min]	[⁻⁴ min]	[⁻⁴ min]
عدد درجات سرعت		
0-3400	0-2300	0-1100

3 توسط دکمه انتخاب سرعت (16) می توان سرعت مورد نیاز را همچنین هنگام کار انتخاب نمود.

روشن کردن چراغ کار

GDS 18V-1050 H / GDS 18V-1000

برای روشن یا خاموش کردن چراغ کار (15) دکمه چراغ کار (13) را فشار دهید.

انتخاب سرعت

با دکمه انتخاب سرعت (16) می توان سرعت مورد نیاز را در 3 درجه تنظیم کرد. دکمه (16) را آنقدر فشار دهید تا تنظیم دلفواه در نشانگر سرعت (17) ظاهر شود. تنظیم انتخاب شده ذخیره می شود.

GDS 18V-1050 HC / GDS 18V-1000 C

شما همچنین می توانید سرعت را از طریق اپلیکیشن Bosch Toolbox App انتخاب کنید.

سرعت مورد نیاز به جنس قطعه کار و شرایط بستگی دارد و می توان در جریان کار آزمایشی تعیین گردد. اندازه های ذکر شده در جدول زیر، مقادیر پیشنهادی می باشند.

◀ بطور مستقیم به لامپ کار نگاه نکنید چون ممکن است چشمان شما را ناراحت بکند.

انتخاب حالت کار

GDS 18V-1050 HC / GDS 18V-1000 C

ابزار برقی دارای 2 حالت کار از پیش تعریف شده A و B (12 B) است. شما همچنین می توانید از طریق اپلیکیشن Bosch Toolbox App بوسیله A و B (12) حالت کار برای کاربردهای مختلف را برنامه ریزی کنید و حالت موجود را تطبیق دهید.
به منظور تعویض بین حالت کار A و B (12)، دکمه (14) را فشار دهید.

راهنماییهای عملی

◀ ابزار برقی را تنها در حالت خاموش روی پیچ و یا مهره قرار دهید. امکان لغزش ابزار در حال چرخش وجود دارد.

◀ ابزار برقی در صورت نصب ماژول Bluetooth® GCY 42 Low Energy (متعلقات) به یک رابط کاربری رادیویی مجهز شده است. به محدودیت های عملیاتی در مکان مورد نظر، برای مثال در هواپیماها یا بیمارستانها، توجه کنید.

میزان گشتاور به مدت ضربه بستگی دارد. حداکثر گشتاور حاصله، نتیجه مجموع همه گشتاورهای جداگانه ای است که در اثر ضربه بدست آمده است. حداکثر گشتاور، پس از طول مدت ضربه 10-6 ثانیه بدست می آید. بعد از این مدت، گشتاور مهار فقط به اندازه کمی افزایش پیدا می کند. باید مدت ایجاد ضربه را برای هر گشتاور مهار بدست آورد. میزان واقعی گشتاور مهار را می توان بوسیله یک گشتاورسنج (آچار ترک) کنترل نمود.

پیچکاری با اتصال فنی، نرم یا سخت

در صورتیکه در یک آزمایش، گشتاورهای ایجاد شده

مقادیر مرجع برای حداکثر گشتاورهای پیچکاری و مهار

واحد مقادیر برحسب Nm است و برحسب مقطع برش و تنش، استفاده از حد کشش % 90 محاسبه شده است. (در ضریب اصطکاک $\mu = 0,12$)، جهت کنترل باید همواره گشتاور مهار بوسیله یک گشتاور سنج (آچار ترک) سنجیده شود.

کلاس های استمکام طبق استاندارد DIN 267	پیچ های استاندارد			پیچ های با استمکام بالا		
	3.6	4.6	5.6	4.8	5.6	6.6
M10	13	17.5	22	23	26	29
M12	22.6	30	37.6	40	45	50
M14	36	48	60	65	72	79
M16	55	73	92	98	110	122
M18	75	101	126	135	151	168
M20	107	143	178	190	214	238
M22	145	190	240	255	290	320
M24	185	245	310	325	370	410

و به اندازه 2/3 طول پیچ داخل قطعه کار ایجاد کنید.

نکته: لطفاً توجه داشته باشید که ذرات و قطعات کوچک فلزی به داخل ابزار برقی نفوذ پیدا نکنند.

پیشنهادهای مفید

پیش از پیچ کردن پیچ های بزرگ و بلند داخل قطعات سخت، باید نخست یک سوراخ به قطر مغزی رزوه پیچ

خارج کنید. در صورت تماس اتفاقی با کلید قطع و وصل، خطر آسیب دیدگی وجود دارد.
◀ ابزار الکتریکی و شیارهای تهویه آنرا تمیز نگاه دارید، تا ایمنی شما در کار تضمین گردد.

خدمات و مشاوره با مشتریان

خدمات مشتری، به سئوالات شما درباره تعمیرات، سرویس و همچنین قطعات یدکی پاسخ خواهد داد. نقشه‌های سه بعدی و اطلاعات مربوط به قطعات یدکی را در تارنمای زیر میباید:

www.bosch-pt.com

گروه مشاوره به مشتریان Bosch با کمال میل به سؤالات شما درباره محصولات و متعلقات پاسخ می دهند.

برای هرگونه سؤال و یا سفارش قطعات یدکی، حتماً شماره فنی 10 رقمی کالا را مطابق برچسب روی ابزار برقی اطلاع دهید.

ایران

روبرت بوش ایران - شرکت بوش تجارت پارس
 میدان ونک، خیابان شهید خدای، خیابان آفتاب
 ساختمان مادیران، شماره 3، طبقه سوم.

تهران 1994834571

تلفن: 42039000 +9821

آدرس سایر دفاتر خدماتی را در ادامه ببینید:

www.bosch-pt.com/serviceaddresses

حمل دستگاه

باتریهای لیتیوم-یونی تابع مقررات حمل کالاهای پر خطر می باشند. کاربر می تواند باتریها را بدون استفاده از روکش در خیابان حمل کند.

در صورت ارسال توسط شخص ثالث (مانند: حمل و نقل هوایی یا زمینی) باید تمهیدات مربوط به بسته بندی و علامتگذاری مورد توجه قرار گیرد. در اینصورت باید حتما جهت آماده سازی قطعه ارسالی به کارشناس حمل کالاهای پر خطر مراجعه کرد. باتریها را فقط در صورتی ارسال کنید که بدنه آنها آسیب ندیده باشد. اتصالات (کنتاکتهای) باز را ببوشانید و باتری را طوری بسته بندی کنید که در بسته بندی تکان نخورد. در این باره لطفاً به مقررات و آیین نامه های ملی توجه کنید.

از رده خارج کردن دستگاه

ابزارهای برقی، باتری ها، متعلقات و بسته بندی ها، باید طبق مقررات حفظ محیط زیست از رده خارج و بازیافت شوند.

ابزار برقی و باتری ها/ باتری های قابل شارژ را داخل زباله دان خانگی نیندازید!



باتریهای شارژی/قلمی:

لیتیوم-یونی:

لطفاً به تذکرات بخش (رجوع کنید به «حمل دستگاه»، صفحه 102) توجه کنید.

پس از کار طولانی با تعداد لرزش پایین بایستی ابزار برقی جهت خنک شدن حدود 3 دقیقه با بیشترین تعداد لرزش بدون بار کار کند.

نکاتی برای رفتار بهینه با باتری

باتری را در برابر رطوبت و آب مضمون بدارید. باتری را منحصراً در دمای بین 20°C تا 50°C درجه نگهداری کنید. بطور مثال باتری را در تابستان داخل اتومبیل نگذارید.

افت قابل توجه مدت زمان کارکرد باتری که تازه شارژ شده است، نمایانگر آن است که باتری فرسوده و مستعمل شده و باید تعویض شود.

به نکات مربوط به نحوه از رده خارج کردن باتری توجه کنید.

گیره نردبان

با گیره نردبان (4) می توانید ابزار برقی را برای مثال از یک نردبان آویزان کنید.

پیچ گیره نردبان باید با گشتاور 2,0-2,5 نیوتون متر سفت شود.



هدایت کردن توسط برنامه

GDS 18V-1050 HC / GDS 18V-1000 C

ابزار برقی به ماژول Bluetooth® مجهز است، که بصورت بی سیم، انتقال اطلاعات به دستگاه های همراه نهایی را توسط اتصال Bluetooth® فراهم می کند (برای مثال گوشی هوشمند، تبلت).

جهت کنترل ابزار برقی از طریق Bluetooth® به اپلیکیشن "Bosch Toolbox" نیاز دارید. این اپلیکیشن را از محل های مربوطه (App-Store, Google Play Store, Apple App Store) دانلود کنید.

سپس در اپلیکیشن، زیرمجموعه "My Tools" را انتخاب کنید. صفحه نمایش دستگاه همراه نهایی شما، تمام گامهای بعدی را جهت ارتباط ابزار برقی با دستگاه نهایی نشان می دهد.

پس از برقراری ارتباط با دستگاه همراه نهایی، عملکردهای زیر موجود هستند:

- ثبت و شخصی سازی
- بررسی وضعیت، اعلام هشدارها
- اطلاعات عمومی و تنظیمات
- مدیریت
- تنظیم درجات سرعت
- تنظیم حالت های کار

مراقبت و سرویس

مراقبت، تعمیر و تمیز کردن دستگاه

◀ شیارهای تهویه ابزار برقی خود را مرتب تمیز کنید. گرد و غباری که از طریق پروانه موتور به داخل محفظه وارد شود و یا تجمع زیاد براده فلز در آن ممکن است سوانح و خطرات الکتریکی را منجر گردد.

◀ قبل از انجام هر گونه کاری با ابزار برقی (از جمله سرویس، تعویض ابزار و غیره) و همچنین به هنگام حمل و نقل و یا در انبار نگهداری کردن، باتری را از داخل ابزار برقی

Licenses

Copyright © 2004 - 2020, Texas Instruments Incorporated

All rights reserved.

Redistribution and use in source and binary forms, with or without modification, are permitted provided that the following conditions are met:

- Redistributions of source code must retain the above copyright notice, this list of conditions and the following disclaimer.
- Redistributions in binary form must reproduce the above copyright notice, this list of conditions and the following disclaimer in the documentation and/or other materials provided with the distribution.
- Neither the name of Texas Instruments Incorporated nor the names of its contributors may be used to endorse or promote products derived from this software without specific prior written permission.

THIS SOFTWARE IS PROVIDED BY THE COPYRIGHT HOLDERS AND CONTRIBUTORS "AS IS" AND ANY EXPRESS OR IMPLIED WARRANTIES, INCLUDING, BUT NOT LIMITED TO, THE IMPLIED WARRANTIES OF MERCHANTABILITY AND FITNESS FOR A PARTICULAR PURPOSE ARE DISCLAIMED. IN NO EVENT SHALL THE COPYRIGHT OWNER OR CONTRIBUTORS BE LIABLE FOR ANY DIRECT, INDIRECT, INCIDENTAL, SPECIAL, EXEMPLARY, OR CONSEQUENTIAL DAMAGES (INCLUDING, BUT NOT LIMITED TO, PROCUREMENT OF SUBSTITUTE GOODS OR SERVICES; LOSS OF USE, DATA, OR PROFITS; OR BUSINESS INTERRUPTION) HOWEVER CAUSED AND ON ANY THEORY OF LIABILITY, WHETHER IN CONTRACT, STRICT LIABILITY, OR TORT (INCLUDING NEGLIGENCE OR OTHERWISE) ARISING IN ANY WAY OUT OF THE USE OF THIS SOFTWARE, EVEN IF ADVISED OF THE POSSIBILITY OF SUCH DAMAGE.

Copyright © 2009–2020 ARM LIMITED

All rights reserved.

Redistribution and use in source and binary forms, with or without modification, are permitted provided that the following conditions are met:

- Redistributions of source code must retain the above copyright notice, this list of conditions and the following disclaimer.
- Redistributions in binary form must reproduce the above copyright notice, this list of conditions and the following disclaimer in the documentation and/or other materials provided with the distribution.
- Neither the name of ARM nor the names of its contributors may be used to endorse or promote products derived from this software without specific prior written permission.

THIS SOFTWARE IS PROVIDED BY THE COPYRIGHT HOLDERS AND CONTRIBUTORS "AS IS" AND ANY EXPRESS OR IMPLIED WARRANTIES, INCLUDING, BUT NOT LIMITED TO, THE IMPLIED WARRANTIES OF MERCHANTABILITY AND FITNESS FOR A PARTICULAR PURPOSE ARE DISCLAIMED. IN NO EVENT SHALL THE COPYRIGHT OWNER OR CONTRIBUTORS BE LIABLE FOR ANY DIRECT, INDIRECT, INCIDENTAL, SPECIAL, EXEMPLARY, OR CONSEQUENTIAL DAMAGES (INCLUDING, BUT NOT LIMITED TO, PROCUREMENT OF SUBSTITUTE GOODS OR SERVICES; LOSS OF USE, DATA, OR PROFITS; OR BUSINESS INTERRUPTION) HOWEVER CAUSED AND ON ANY THEORY OF LIABILITY, WHETHER IN CONTRACT, STRICT LIABILITY, OR TORT (INCLUDING NEGLIGENCE OR OTHERWISE) ARISING IN ANY WAY OUT OF THE USE OF THIS SOFTWARE, EVEN IF ADVISED OF THE POSSIBILITY OF SUCH DAMAGE.

Copyright © 2011 Petteri Aimonen




This software is provided 'as-is', without any express or implied warranty. In no event will the authors be held liable for any damages arising from the use of this software.

Permission is granted to anyone to use this software for any purpose, including commercial applications, and to alter it and redistribute it freely, subject to the following restrictions:

1. The origin of this software must not be misrepresented; you must not claim that you wrote the original software. If you use this software in a product, an acknowledgment in the product documentation would be appreciated but is not required.
2. Altered source versions must be plainly marked as such, and must not be misrepresented as being the original software.
3. This notice may not be removed or altered from any source distribution.

de	EU-Konformitätserklärung Akku-Schlagschrauber	Sachnummer	Wir erklären in alleiniger Verantwortung, dass die genannten Produkte allen einschlägigen Bestimmungen der nachfolgend aufgeführten Richtlinien und Verordnungen entsprechen und mit folgenden Normen übereinstimmen. Technische Unterlagen bei: *
en	EU Declaration of Conformity Cordless Impact Wrench	Article number	We declare under our sole responsibility that the stated products comply with all applicable provisions of the directives and regulations listed below and are in conformity with the following standards. Technical file at: *
fr	Déclaration de conformité UE Visseuse à choc sans-fil	N° d'article	Nous déclarons sous notre propre responsabilité que les produits décrits sont en conformité avec les directives, règlements normatifs et normes énumérés ci-dessous. Dossier technique auprès de: *
es	Declaración de conformidad UE Atornilladora de impacto accionada por acumulador	Nº de artículo	Declaramos bajo nuestra exclusiva responsabilidad, que los productos nombrados cumplen con todas las disposiciones correspondientes de las Directivas y los Reglamentos mencionados a continuación y están en conformidad con las siguientes normas. Documentos técnicos de: *
pt	Declaração de Conformidade UE Aparafusadora de percussão sem fio	N.º do produto	Declaramos sob nossa exclusiva responsabilidade que os produtos mencionados cumprem todas as disposições e os regulamentos indicados e estão em conformidade com as seguintes normas. Documentação técnica pertencente à: *
it	Dichiarazione di conformità UE Avvitatore a percussione a batteria	Codice prodotto	Dichiariamo sotto la nostra piena responsabilità che i prodotti indicati sono conformi a tutte le disposizioni pertinenti delle Direttive e dei Regolamenti elencati di seguito, nonché alle seguenti Normative. Documentazione Tecnica presso: *
nl	EU-conformiteitsverklaring Accuslagmoeraan zetter	Productnummer	Wij verklaren op eigen verantwoordelijkheid dat de genoemde producten voldoen aan alle desbetreffende bepalingen van de hierna genoemde richtlijnen en verordeningen en overeenstemmen met de volgende normen. Technisch dossier bij: *
da	EU-overensstemmelseserklæring Akku-slagboremaskine	Typenummer	Vi erklærer som eneansvarlige, at det beskrevne produkt er i overensstemmelse med alle gældende bestemmelser i følgende direktiver og forordninger og opfylder følgende standarder. Tekniske bilag ved: *
sv	EU-konformitetsförklaring Sladdlös slående skruvdragare	Produktnummer	Vi förklarar under eget ansvar att de nämnda produkterna uppfyller kraven i alla gällande bestämmelser i de nedan angivna direktiven och förordningarnas och att de stämmer överens med följande normer. Teknisk dokumentation: *
no	EU-samsvarserklæring Akku-slagskrutrekker	Produktnummer	Vi erklærer under eneansvar at de nevnte produktene er i overensstemmelse med alle relevante bestemmelser i direktivene og forordningene nedenfor og med følgende standarder. Teknisk dokumentasjon hos: *
fi	EU-vaatimustenmukaisuusvakuutus Akkukisuruuvinv äänin	Tuotenumero	Vakuutamme täten, että mainitut tuotteet vastaavat kaikkia seuraavien direktiivien ja asetusten asiaankuuluvia vaatimuksia ja ovat seuraavien standardien vaatimusten mukaisia. Tekniset asiakirjat saatavana: *
el	Δήλωση πιστότητας ΕΕ Μπουλονόκλειδο μπαταρίας	Αριθμός ευρετηρίου	Δηλώνουμε με αποκλειστική μας ευθύνη, ότι τα αναφερόμενα προϊόντα αντιστοιχούν σε όλες τις σχετικές διατάξεις των πιο κάτω αναφερόμενων οδηγιών και κανονισμών και ταυτίζονται με τα ακόλουθα πρότυπα. Τεχνικά έγγραφα στη: *
tr	AB Uygunluk beyanı Aküülü darbeli tork anahtarı	Ürün kodu	Tek sorumlu olarak, tanımlanan ürünün aşağıdaki yönetmelik ve direktiflerin geçerli bütün hükümlerine ve aşağıdaki standartlara uygun olduğunu beyan ederiz. Teknik belgelerin bulunduğu yer: *

pl	Deklaracja zgodności UE Akumulatorowa wkrętarka udarowa	Numer katalogowy	Oświadczamy z pełną odpowiedzialnością, że niniejsze produkty odpowiadają wszystkim wymaganiom poniżej wyszczególnionych dyrektyw i rozporządzeń, oraz że są zgodne z następującymi normami. Dokumentacja techniczna: *
cs	EU prohlášení oshodě Akumulátorový rázový šroubovák	Objednací číslo	Prohlašujeme na výhradní zodpovědnost, že uvedený výrobek splňuje všechna příslušná ustanovení níže uvedených směrnic a nařízení a je v souladu následujícími normami: Technické podklady u: *
sk	EÚ vyhlásenie ozhode Akumulátorový impulzový skrutkovač	Vecné číslo	Vyhlasujeme na výhradnú zodpovednosť, že uvedený výrobok spĺňa všetky príslušné ustanovenia nižšie uvedených smerníc a nariadení a je v súlade nasledujúcimi normami: Technické podklady má spoločnosť: *
hu	EU konformitási nyilatkozat Akkumulátoros ütvecsavarozóg	Cikkszám	Egyedüli felelősséggel kijelentjük, hogy a megnevezett termékek megfelelnek az alábbiakban felsorolásra kerülő irányelvek és rendeletek valamennyi idevágó előírásainak és megfelelnek a következő szabványoknak. Műszaki dokumentumok megőrzési pontja: *
ru	Заявление о соответствии ЕС Акумуляторный шуруповёрт ударного действия	Товарный №	Мы заявляем под нашу единоличную ответственность, что названные продукты соответствуют всем действующим предписаниям нижеуказанных директив и распоряжений, а также нижеуказанных норм. Техническая документация хранится у: *
uk	Заява про відповідність ЄС Акумуляторний ударний гвинтоверт	Товарний номер	Мизаявляємо під нашу одноособову відповідальність, що названі вироби відповідають усім чинним положенням нищеозначених директив і розпоряджень, а також нищеозначеним нормам. Технічна документація зберігається у: *
kk	ЕО сәйкестік мағлұмдамасы Акумуляторлық қағатын бұрауыш	Өнім нөмірі	Өз жауапкершілікпен біз аталған өнімдер төменде жазылған директикалар мен жарлықтардың тиісті қағидаларына сәйкестігін және төмендегі нормаларға сай екенін білдіреміз. Техникалық құжаттар: *
ro	Declarație de conformitate UE Mașină de găurit/înrububată cu percuție cu acumulator	Număr de identificare	Declarăm pe proprie răspundere că produsele menționate corespund tuturor dispozițiilor relevante ale directivelor și reglementărilor enumerate în cele ce urmează și sunt în conformitate cu următoarele standarde. Documentație tehnică la: *
bg	ЕС декларация за съответствие Акумуляторен ударен винтоверт	Каталожен номер	С пълна отговорност ние декларираме, че посочените продукти отговарят на всички валидни изисквания на директивите и разпоредбите по-долу и съответства на следните стандарти. Техническа документация при: *
mk	EU-Изјава за сообразност Батериски ударен одвртувач	Број на дел/артикл	Со целосна одговорност изјавуваме, дека опишаните производи се во согласност со сите релевантни одредби на следните регулативи и прописи и се во согласност со следните норми. Техничка документација кај: *
sr	EU-izjava o usaglašenosti Uvrtač sa udarcima i akumulatorom	Broj predmeta	Na sopstvenu odgovornost izjavljujemo, da navedeni proizvodi odgovaraju svim dotičnim odredbama naknadno navedenih smernica u uredaba i da su u skladu sa sledećim standardima. Tehnička dokumentacija kod: *
sl	Izjava o skladnosti EU Akumulatorski udarni vijačnik	Številka artikla	Izjavljamo pod izključno odgovornostjo, da je omenjen izdelek v skladu z vsemi relevantnimi določili direktiv in uredb ter ustreza naslednjim standardom. Tehnična dokumentacija pri: *

hr	EU izjava o sukladnosti	Pod punom odgovornošću izjavljujemo da navedeni proizvodi odgovaraju svim relevantnim odredbama direktiva i propisima navedenima u nastavku i da su sukladni sa sljedećim normama. Tehnička dokumentacija se može dobiti kod: *	
	Aku udarni odvijač Kataloški br.		
et	EL-vastavusdeklaratsioon	Kinnitame ainuvastutatatena, et nimetatud tooted vastavad järgnevalt loetletud direktiivide ja määruste kõikidele asjaomastele nõuetele ja on kooskõlas järgmiste normidega. Tehnilised dokumendid saadaval: *	
	Akulöökmutrikee raja Tootenumber		
lv	Deklarācija par atbilstību ES standartiem	Mēs ar pilnu atbildību paziņojam, ka šeit aplūkoti izstrādājumi atbilst visiem tālāk minētajās direktīvās un rīkojumos ietvertajām saistošajām nostādņēm, kā arī sekojošiem standartiem. Tehniskā dokumentācija no: *	
	Akumulatora triecienskrūvgriezis Izstrādājuma numurs		
lt	ES atitikties deklaracija	Atsakingai pareiškiamė, kad išvardyti gaminiai atitinka visus privalomus žemiau nurodytų direktyvų ir reglamentų reikalavimus ir šiuos standartus. Techninė dokumentacija saugoma: *	
	Akumulatorinis smūginis suktuvas Gaminio numeris		
	GDS 18V-1000	3 601 JJ8 3..	2006/42/EC 2014/30/EU 2011/65/EU
	GDS 18V-1050 H	3 601 JJ8 5..	EN 62841-1:2015 EN 62841-2-2:2014 EN 55014-1:2017+A11:2020 EN 55014-2:2015 EN IEC 63000:2018
	GDS 18V-1000 C	3 601 JJ8 0..	
	GDS 18V-1050 HC	3 601 JJ8 2..	
			 BOSCH
			* Robert Bosch Power Tools GmbH (PT/ECS) 70538 Stuttgart GERMANY
			Henk Becker Chairman of Executive Management
			Helmut Heinzelmann Head of Product Certification
			 
			Robert Bosch Power Tools GmbH, 70538 Stuttgart, GERMANY Stuttgart, 15.02.2021